

This Owner's Manual is provided and hosted by [Appliance Factory Parts](#).



DE'LONGHI DUH301 Owner's Manual

[Shop genuine replacement parts for DE'LONGHI
DUH301](#)

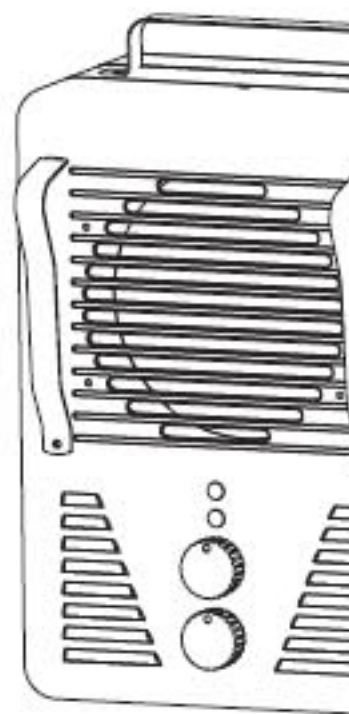


[Find Your DE'LONGHI HVAC Parts - Select From 166 Models](#)

----- Manual continues below -----

DeLonghi

**FAN HEATER
INSTRUCTION MANUAL
SAVE THESE INSTRUCTIONS**



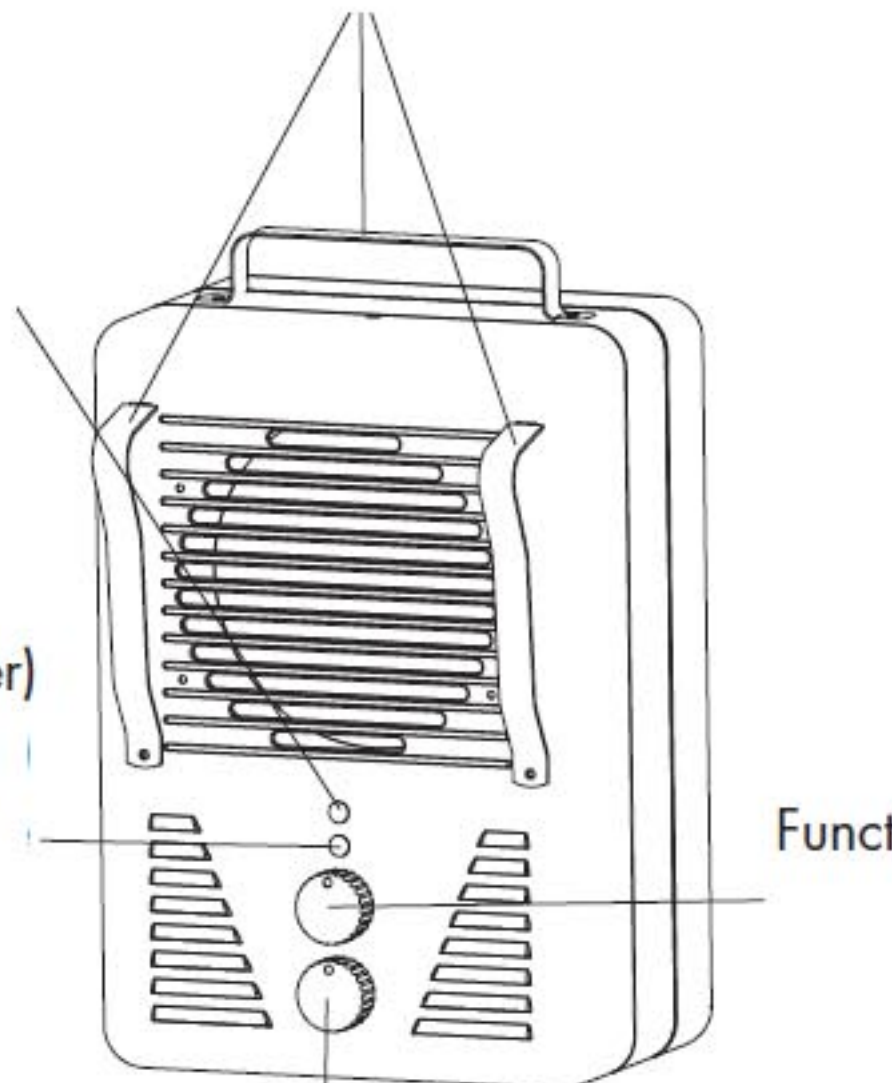
Type/Modèle/Modelo
DUH 3010

Register this product on-line and receive a certificate of registration.
Visit www.prodregister.com/delonghi

Carry handle

Overheat Safety
Light (Red)

Power indicator Light (Amber)



Func

Thermostat Control



IMPORTANT SAFEGUARDS

When using electrical appliances, basic precautions should always be followed to prevent fire, electric shock, and injury to persons, including the following:

1. Read all instructions before using the appliance.
2. This appliance is hot when in use. To avoid burns, do not let bare skin touch the appliance. Use handle when moving this heater. Keep combustible materials, such as curtains, rugs, carpets, bedding, papers, clothes and curtains at least 3 feet (0,9 m) from the heater and keep them away from the sides and rear.
3. Extreme caution is necessary when any appliance is used by or near children and whenever the heater is left operating and unattended.
4. Always unplug appliance when not in use.
5. **Do not operate any appliance with a damaged cord or plug or after the appliance has been dropped or damaged in any manner. Return heater to service facility for examination, electrical or mechanical adjustment, or repair.**
6. Do not use outdoors.
7. This heater is not intended for use in bathrooms, laundry areas and other wet locations. Never locate appliance where it may fall into a bathtub or other water.
8. **Do not run cord under carpeting. Do not cover cord with throw rugs, mats or mats. Arrange cord away from traffic area and where it will not be tripped over.**
9. To disconnect the appliance, turn controls to off, then remove plug from outlet.
10. Connect to properly polarized outlets only.
11. Do not insert or allow foreign objects to enter any ventilation opening. This may cause an electric shock, fire or damage the appliance.
12. To prevent a possible fire, do not block air intakes or exhaust in any way. Do not place on soft surfaces, like a bed, where openings may become blocked.
13. **A fan heater has hot or arcing or sparking parts inside. Do not use if gasoline, paint, or flammable liquids are used or stored.**
14. Use this appliance only as described in this manual. Any other use not recommended by the manufacturer may cause fire, electric shock, or injury to persons.
15. To prevent overload and blown fuses, be sure that no other appliance is plugged into the same outlet (receptacle) or into another outlet (receptacle) wired into the same circuit.
16. It is normal for the heater's plug and cord to feel warm to the touch.

- **Setting the thermostat:**
When the room has reached the desired temperature, turn the thermostat knob clockwise direction until the pilot light turns off and not beyond it. The thermostat set temperature automatically and keep it constant.
- **Anti-freeze function**
Turn the function selector knob to setting 2, then turn the thermostat knob. When it is set in this way the appliance keeps the room at a temperature of (5°C) with minimal energy expenditure.
- **Switching the appliance off:** turn the function selector in position "OFF" in the \ast position, then remove the plug from the electrical outlet.
- **Additional features:** Front Safety Guards- prevent the front grill from being touched when the heater is tipped over forward.
- Convenient Carry Handle-allows for easy transport from room to room.

MAINTENANCE AND SERVICE

Always remove the plug from the power socket and allow the heater to cool. When cooled, clean it with a soft damp cloth, do not use detergents or abrasives. Clean the air intake and outlet grilles during the period in which the heater is in use with the fan. Should the heater not be in use over a certain length of time, store it in a dry place. This appliance has been built to provide many years of trouble free service. In case of malfunction, do not try to repair the heater yourself: it may result in electric shock. Call the nearest Service Center (see attached list of Service Centers).

ATTENTION

A safety device switches the fan heater off if it accidentally overheats. To restart normal operation, remove the plug from the mains socket for a few minutes, eliminate the cause of overheating (e.g. air intake or outlet grilles obstructed) and then plug the fan heater back in. Contact your nearest Service Center if the fan heater does not begin normal operation. The appliance is equipped with a double tip-over-switch for extra safety. The fan heater should be switched off should it fall over or if it is not perfectly stable. To restart the fan heater, place it upright again.



LIMITED WARRANTY

This warranty applies to all products with De'Longhi or Kenwood brand.

What does the warranty cover?

We warrant each appliance to be free from defects in material and workmanship. Under this warranty, repair is limited to repair at our factory or authorized service centers. Replacement of parts or part thereof, other than parts damaged in transit. In the event of a product return, the unit must be returned transportation prepaid. The repaired or new model will be shipped at the company expense.

This warranty shall apply only if the appliance is used in accordance with the instructions which accompany it, and on an Alternating current (AC) circuit.

How long does the coverage last?

This warranty runs for one year (1) from the purchase date found on your receipt. It is valid only for the original purchaser for use.

What is not covered by the warranty?

The warranty does not cover defects or damage of the appliance, which result from modifications to the appliance outside our factory or authorized service centers, nor shall we be responsible for an appliance, which has been subject to abuse, misuse, negligence or accidents. Wear and incidental damage resulting from the use of this product or arising out of any modification or breach of this warranty are not recoverable under this warranty. Some states prohibit the exclusion or limitation of incidental or consequential damage, so the above limitations may not apply to you.

How do you get service?

If repairs become necessary, see contact information below:

U.S. Residents:

Please contact our toll free hotline at **1-800-322-3848** or log onto our website at www.delonghi.com. For all accessories, spare parts or replacement parts, please contact our parts division at **1-800-322-3848**.

Residents of Canada: Please contact our toll free hotline at **1-888-335-6644** or log onto our website at www.delonghi.com.

Residents of Mexico: Please refer to the Limited Warranty statement for Mexico.