



OWNER'S INSTRUCTION

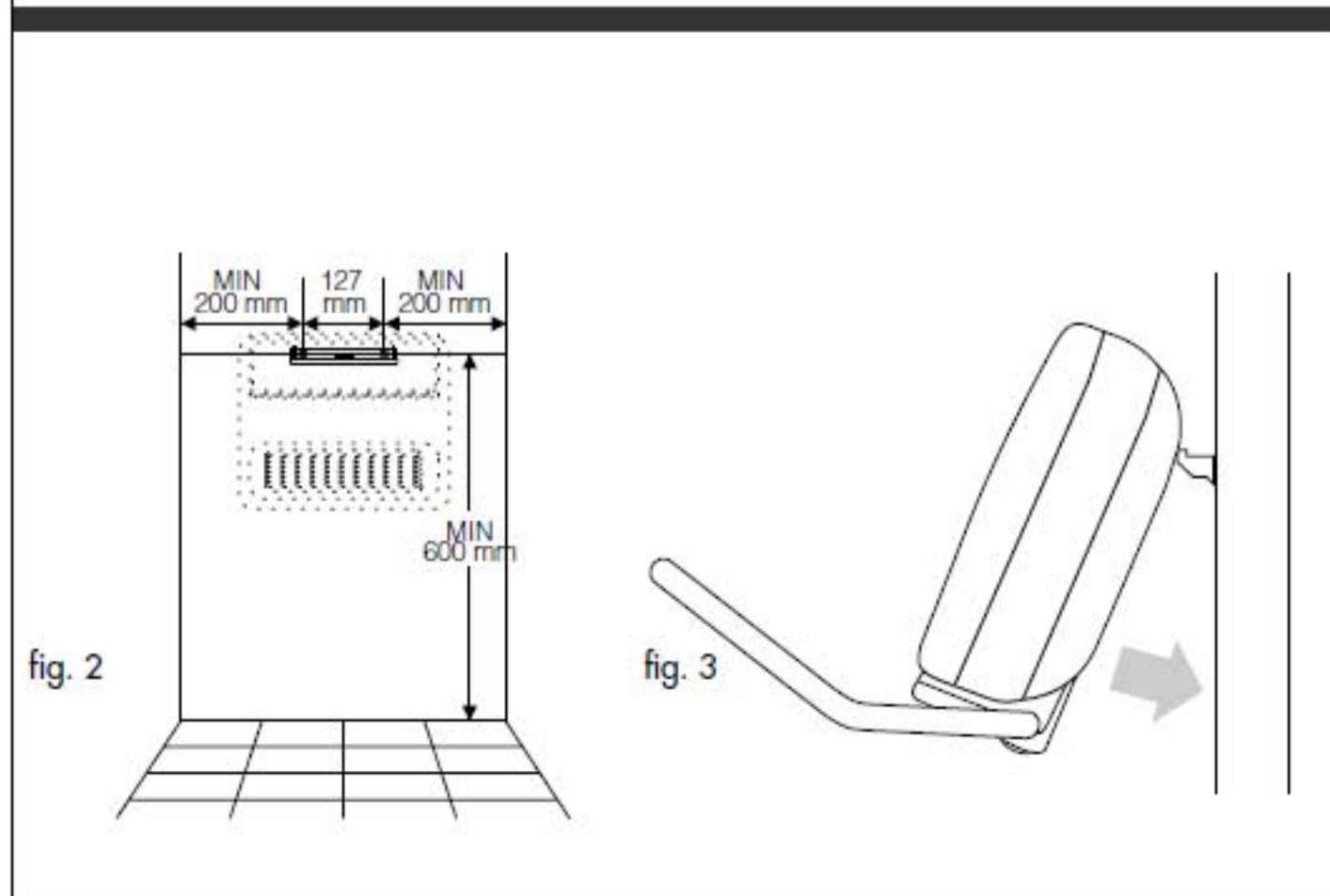
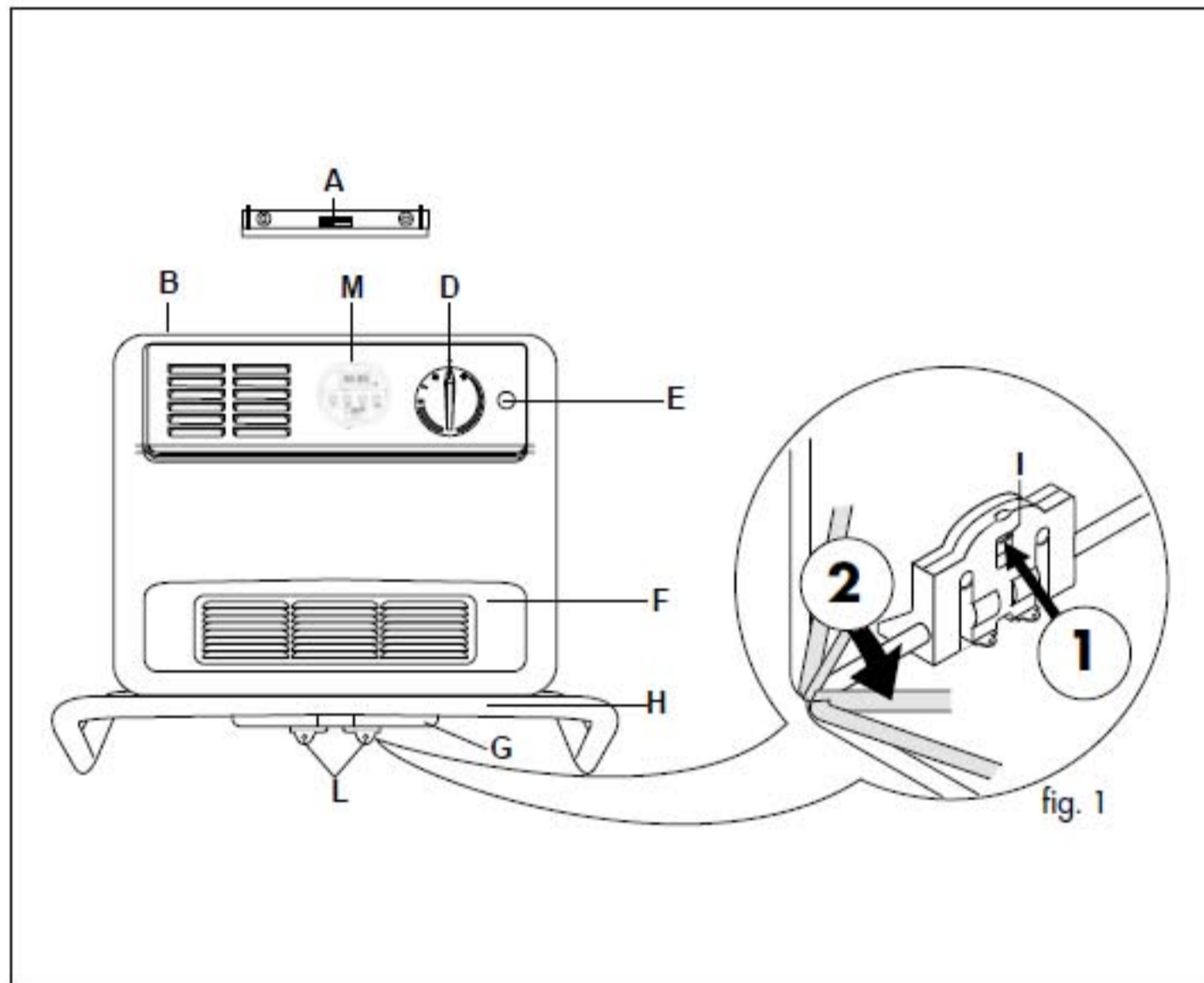


FAN HEATER



READ AND SAVE THESE INSTRUCTIONS







IMPORTANT SAFEGUARDS

When using electrical appliances, basic precautions should always be followed to reduce risk of fire, electric shock, and injury to persons, including the following:

1. Read all instructions before using the appliance.
2. This appliance is hot when in use. To avoid burns, do not let bare skin touch hot surfaces. Use handle when moving this heater. Keep combustible materials, such as furniture, pillows, bedding, papers, clothes and curtains at least 3 feet (0,9 m) from the front and top of the heater and keep them away from the sides and rear.
3. Extreme caution is necessary when any appliance is used by or near children or invalids and whenever the heater is left operating and unattended.
4. Always unplug appliance when not in use.
5. **Do not operate any appliance with a damaged cord or plug or after the appliance malfunctions, has been dropped or damaged in any manner. Return heater to authorized service facility for examination, electrical or mechanical adjustment, or repair.**
6. Do not use outdoors.
7. Never locate appliance where it may fall into a bathtub or other water container.
8. **Do not run cord under carpeting. Do not cover cord with throw rugs, runners, or the like. Arrange cord away from traffic area and where it will not be tripped over.**
9. To disconnect the appliance, turn controls to off, then remove plug from outlet.
10. Connect to properly polarized outlets only.
11. Do not insert or allow foreign objects to enter any ventilation opening as this may cause an electric shock, fire or damage the appliance.
12. To prevent a possible fire, do not block air intakes or exhaust in any manner. Do not use on soft surfaces, like a bed, where openings may become blocked.
13. **A fan heater has hot or arcing or sparking parts inside. Do not use it in areas where gasoline, paint, or flammable liquids are used or stored.**
14. Use this appliance only as described in this manual. Any other use not recommended by the manufacturer may cause fire, electric shock, or injury to persons.
15. To prevent overload and blown fuses, be sure that no other appliance is plugged into the same outlet (receptacle) or into another outlet (receptacle) wired into the same circuit.
16. It is normal for the heater's plug and cord to feel warm to the touch. A plug or cord which becomes hot to the touch or becomes distorted in shape may be a result of a worn electrical outlet (receptacle). Worn outlets or receptacles should be replaced prior to further use of the heater. Plugging heater into a worn outlet/receptacle/ may result in overheating of the power cord or fire.
17. **Do not use an extension cord because the extension cord may overheat and cause a risk of fire. However, if you have to use an extension cord, the cord shall be no. 14 AWG minimum size and rated not less than 1875**



watts, and has to be used only for supplying power to this appliance.

18. Be sure that the plug is fully inserted into an appropriate receptacle. Please remember that receptacles also deteriorate due to aging and continuous use: check periodically if signs overheating or deformations are evidenced by the plug. Do not use the receptacle and CALL your electrician.
19. Check that neither the appliance nor the power cable have been damaged in any way during transportation.
20. **CAUTION:** to prevent electric shock match wide blade of plug to wide slot, fully insert.

SAVE THESE INSTRUCTIONS

Your product is equipped with a polarized alternating current line plug (a plug having one blade wider than the other). This plug will fit into the power outlet only one way. This is a safety feature. If you are unable to insert the plug fully into the outlet, try reversing the plug. If the plug should still fail to fit, contact your electrician to replace your obsolete outlet. Do not defeat the safety purpose of the polarized plug.

MAIN FAN HEATER ELEMENTS (FIG. 1)

- | | |
|---|------------------------------------|
| A Wall-mounting bracket | F Outlet grilles |
| B Inlet grilles | G Hand-towel dryer assembly |
| C Control panel | H Hand-towel dryer arm |
| D Function selector + Thermostat | I Arm release slider |
| E Pilot light | L Appliance anchor |
| | M Timer (not on all model) |

INSTALLATION

The fan heater will only work if fitted to a wall.

Before drilling holes in the wall, check that there are no electric cables or piping in the area.

Proceed as follows for installation:

- pull the release slider (fig. 1) and turn the hand-towel dryer arm downwards in order to check the appliance's maximum side-play for correct installation;
- attach the wall attachment bracket with screws and dowels, observing the minimum measurements shown in fig. 2. If it is installed in a bathroom, the fan must be positioned in such a way to guarantee that the controls are not accessible to anyone using the bath or shower;
- hang the fan on bracket A (fig. 1) and mark anchoring positions L (fig. 1);
- remove the appliance and drill the holes for the dowels;
- hook the fan on the bracket at a slight angle (fig. 3) and fix it by turning the screw in the upper part of the bracket in a clockwise direction with a screwdriver before completing the clamping with the anchoring screws in the lower part.

ELECTRIC CONNECTION

The fan heater must be connected to a properly polarized A/C 110/120 V household outlet in perfect working conditions.

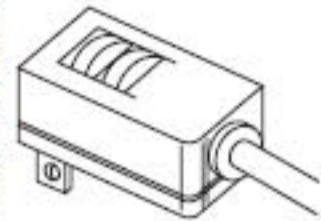
Keep loose clothing or bedding, furniture and flammable material away from the wall outlet





ALCI (Appliance Leakage Current Interrupter) SAFETY DEVICE

This device provides protection against electric shock due to ground fault currents by automatically shutting off the power. To test the operation of the ALCI Safety Device, switch the heater ON at either the 1 or 2 setting. Press the TEST button on the ALCI device attached to the plug end of the line cord. The heater and fan should stop operating and the Power Light should be extinguished. Press the RESET button on the ALCI device to resume normal operation of the heater. This device should not be used as an ON/OFF operation switch.



"CAUTION: ALTHOUGH THIS DEVICE IS PROVIDED WITH PROTECTION WHICH REDUCES THE RISK OF ELECTRIC SHOCK, THIS PRODUCT SHOULD NEVER BE USED CARELESSLY NEAR WATER."

where the heater plug is fitted in.

FAN HEATER CONTROLS

FUNCTION SELECTOR + THERMOSTAT

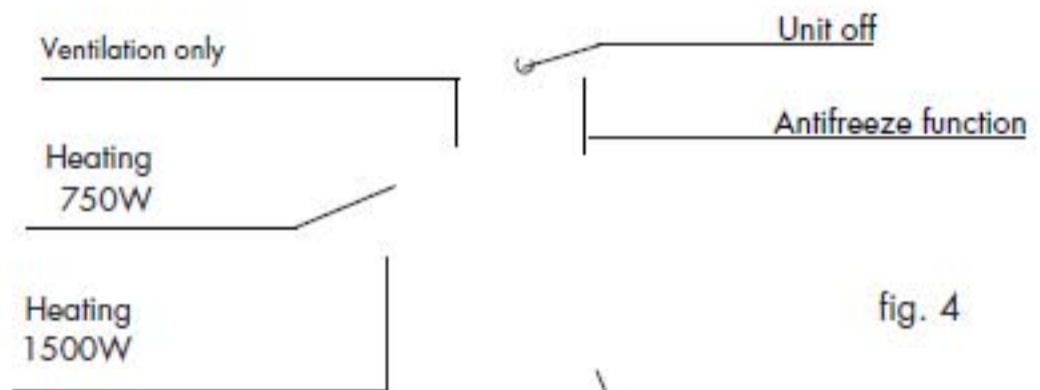
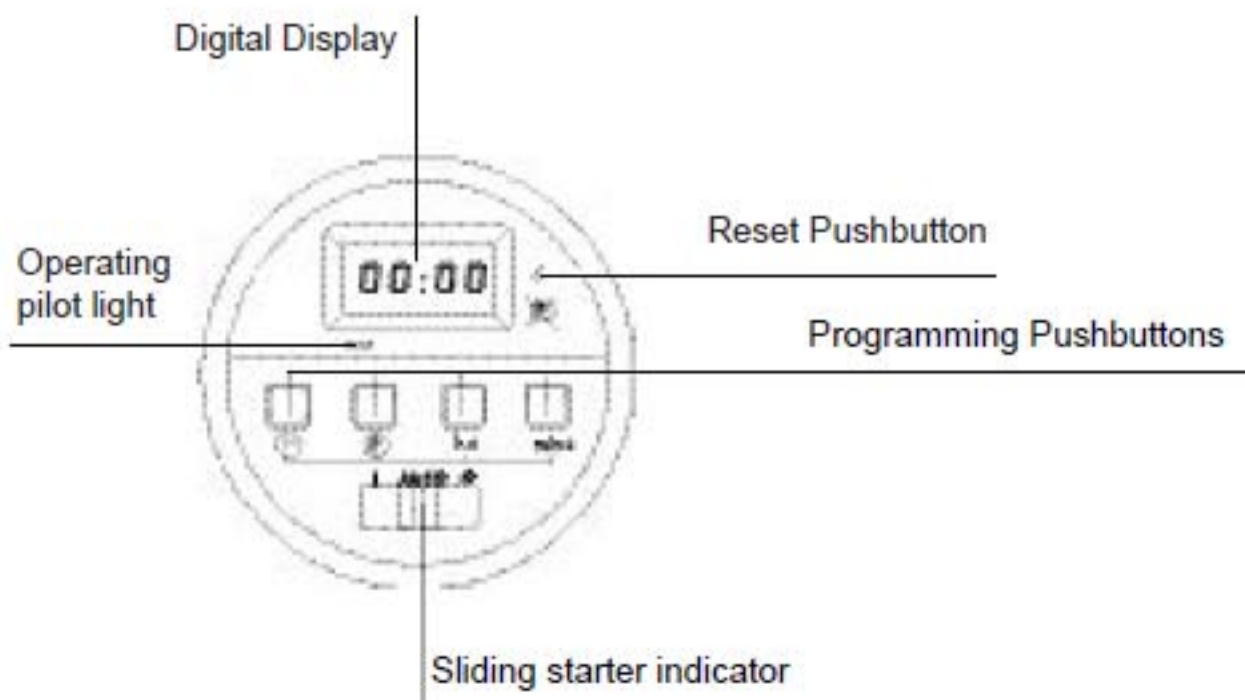


fig. 4

Adjusting
Thermostat

ELECTRONIC TIMER





OPERATION AND USE

Heating and setting the thermostat

- 750W heating: Turn the knob to position **1**.
- 1500W heating: Turn the knob to position **2**.

When the room has reached the temperature desired, set the thermostat by slowly turning the thermostat knob clockwise until you hear the click which switches off the heater.

The temperature set in this way will be automatically maintained at a constant level by the thermostat.

Anti-freeze function

- Turn the thermostat knob to the anti-freeze position

When the fan heater has been set in this way it will automatically come on whenever the temperature in the room falls close to five degrees and the room will thus remain at a temperature of a few degrees above zero.

Summer use (ventilation only)

- Turn the knob clockwise to the position, "summer service" (ventilation only).

The fan only will be switched on when the fan heater has been set in this way.

Turning off the heater

To turn off the appliance, turn the function selector knob to the "OFF" position.

ELECTRONIC TIMER (NOT ON ALL MODELS)

Setting the time

Set the timer to the correct time, proceeding as follows:

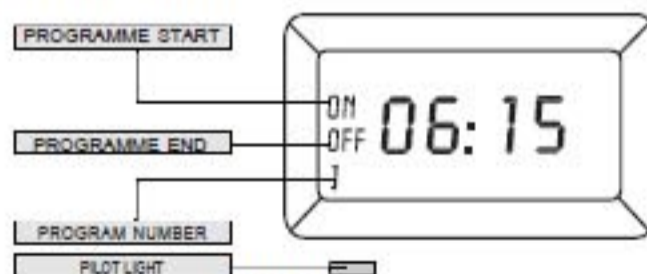
- Press the pushbutton and pushbutton (fig. 5) simultaneously until the display shows the hours for the correct time, then release both pushbuttons.
- Press the pushbutton and pushbutton (fig. 5) simultaneously until the display shows the minutes for the correct time, then release both pushbuttons.

(Keep both pushbuttons pressed to move through the hours and minutes in fast mode).

How to program the timer (up to a maximum of 6 programs)

1. Move the sliding indicator to "AUTO" (fig. 5).
 2. Press the pushbutton to access the 1st operation program. The message ON will be shown on the display together with the program number (1). See fig. 6.
 3. Set the start of program time by pressing the pushbutton to set the hours and the pushbutton to set the minutes.
 4. Press the pushbutton again to set the end of program time. The message OFF and 1 will be shown on the display (fig. 6). Now set the time using the and pushbuttons.
- Press the pushbutton to access the successive programs (up to 6). The message ON and 2 will be shown on the display. Repeat the operations described in points 3 and 4.
- To display the exact time, press the pushbutton.

To start the fan heater at the programmed time you now need to simply set the function selector and thermostat (fig. 5) to the settings desired, following the instructions in the section "HEATING AND SETTING THE THERMOSTAT".



NOTE:

- The pilot light indicates that the appliance is working.
- The timer has a rechargeable plug battery.
The timer has a plug battery. The time and programs entered will remain in the memory and will be shown on the digital display even if the electricity goes off or the plug gets pulled out of its socket.
To delete the programs and time set, press the reset pushbutton with the tip of a pencil.
- The plug battery is completely recharged by leaving the appliance plugged into an electrical outlet for at least eight (8) hours.





Drying Function

- Pull release slider 1 (fig. 1) and move the arm to the horizontal position ready for use.
- Hang the hand-towels or the linen on the arm to dry.
- Turn the function selector knob to position 1 (750 W). It is advisable to use only this power setting in order to dry hand-towels or other linen, particularly if they are of delicate material.
- When the appliance is not used for the drying function, the arm may be moved to rest position by pulling the release slider and turning it downwards.

Important

Be careful not to overload or force the hand-towel holder arm.

The appliance is equipped with a special arm release device (if the latter is overloaded) which makes it automatically drop to the vertical rest position.

MAINTENANCE AND SERVICE

Always remove the plug from the power socket and allow the heater to cool. Wipe the heater with a soft damp cloth, do not use detergents and abrasives.

Clean the inlet and outlet grilles regularly with a vacuum cleaner.


Should the heater not be in use over a certain length of time, store it in a dry place.

This appliance has been built to give many years of trouble free service.

In case of malfunction or doubt, do not try to repair the heater by yourself: it may result in fire hazard or electric shock. Call nearest Service Center (see attached list of Service Centers).

ATTENTION

A safety device switches the fan heater off if it accidentally overheats. To reset the unit for normal operation, remove the plug from the mains socket for a few minutes, eliminate the cause of the overheating (e.g. air intake or outlet grilles obstructed) and then plug the fan heater back in again. Contact your nearest Technical Assistance Service if the fan heater does not start operating normally again.



Limited Warranty

What Does This Warranty Cover? We warrant each appliance to be free from defects in material and workmanship. Our obligation under this warranty is limited to replacement or repair, free of charge at our factory or authorized service centers, of any defective part or parts thereof other than parts damaged in transit, which shall be returned to us, transportation prepaid. This warranty shall apply only if the appliance is used in accordance with the factory directions which accompany it, and on an Alternating Current (AC) circuit.

How Long Does The Coverage Last? This warranty runs for one year from the date of delivery and applies only to the original purchaser for use.

What Does This Warranty Not Cover? This warranty does not cover defects or damage of the appliance which result from repairs or alterations to the appliance outside our factory or authorized service centers, nor shall it apply to any appliance which has been subject to abuse, misuse, negligence or accidents. Also, consequential and incidental damages resulting from the use of this product or arising out of any breach of contract or breach of this warranty are not recoverable under this warranty. Some states do not allow the exclusion or limitation of incidental or consequential damages, so the above limitation may not apply to you.

How Do You Get Service? If repairs become necessary or spare parts are needed, please write to:

DE' LONGHI AMERICA INC.
 Park 80 West Plaza One
 4 th floor
 Saddle Brook, NJ 07663
 or call Service Tel. No. 1-800-322-3848

The above warranty is in lieu of all other express warranties and representations. All implied warranties are limited to the applicable warranty period set forth above. This limitation does apply if you enter into an extended warranty with De' Longhi. Some states do not allow limitations on how long an implied warranty lasts, so the above exclusions may not apply to you. De' Longhi does not authorize any other person or company to assume for it any liability in connection with the sale or use of its appliance.

How Does State Law Apply? This warranty gives you specific legal rights, and you may also have other rights which vary from state to state.

