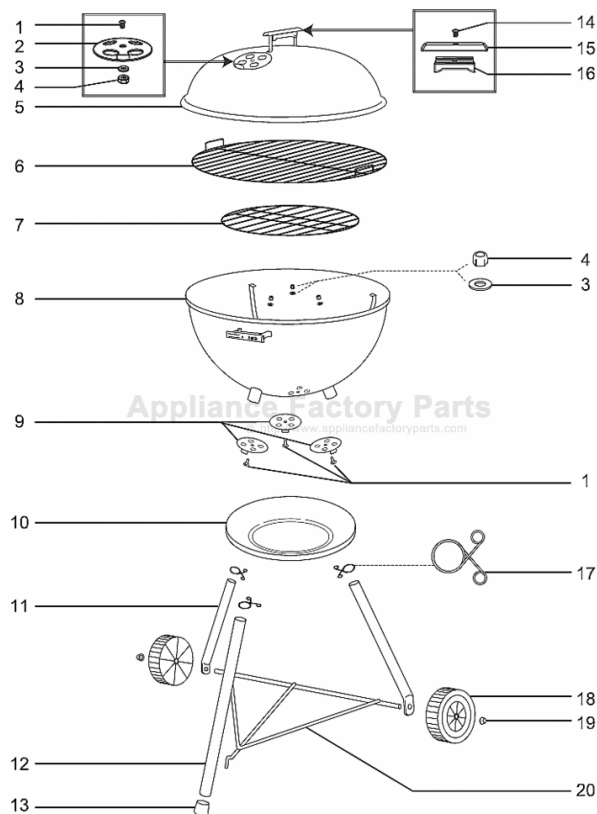


This Owner's Manual is provided and hosted by [Appliance Factory Parts](http://Appliance Factory Parts).



# Weber 61001 Owner's Manual

[Shop genuine replacement parts for Weber 61001](#)

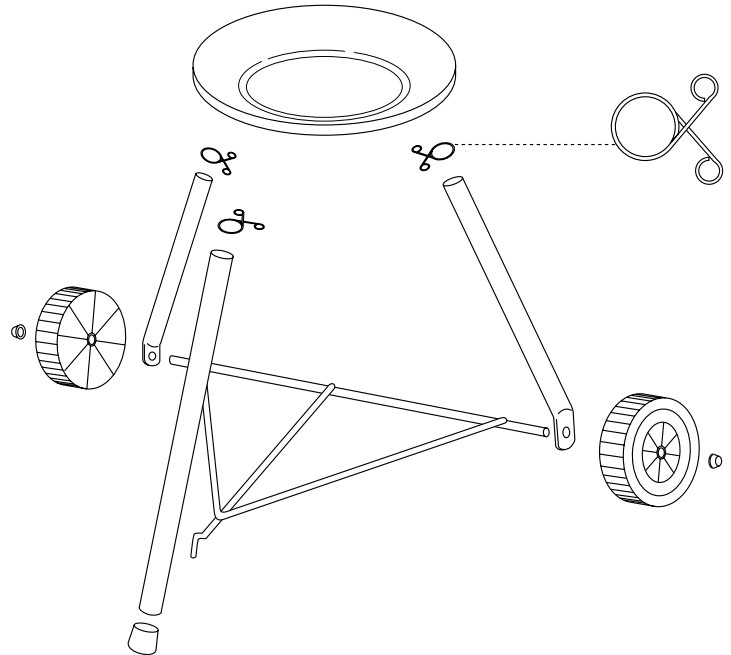
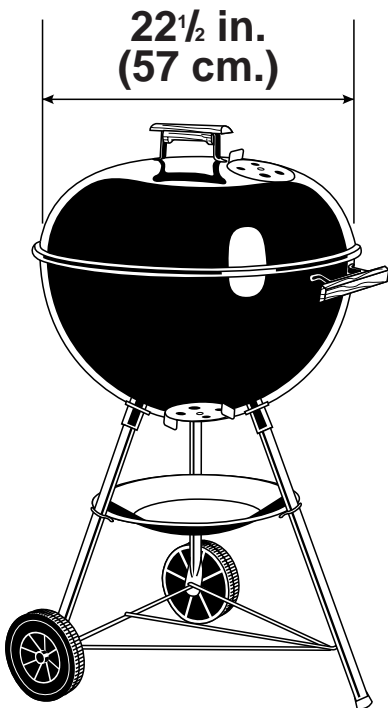
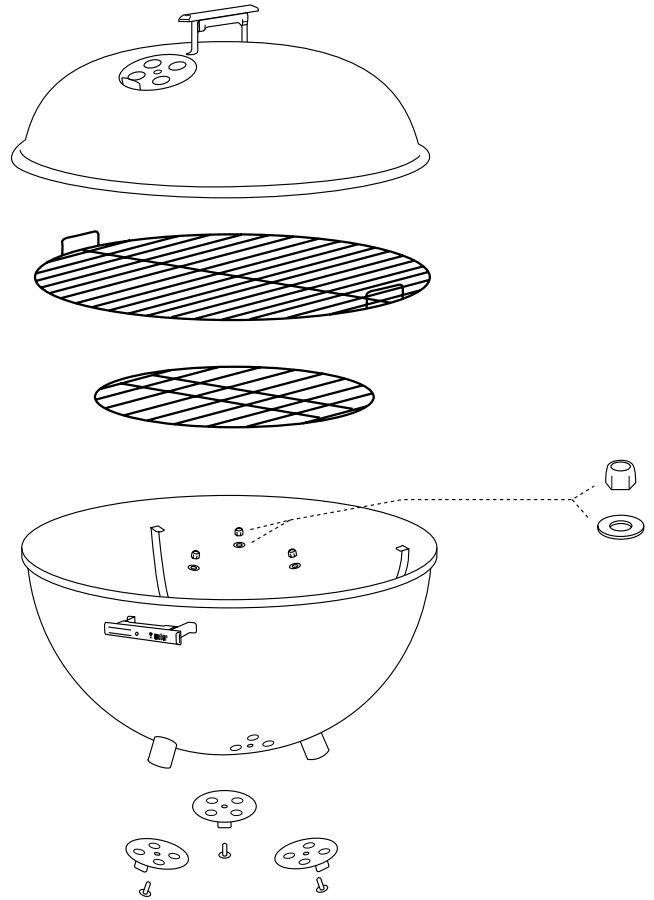
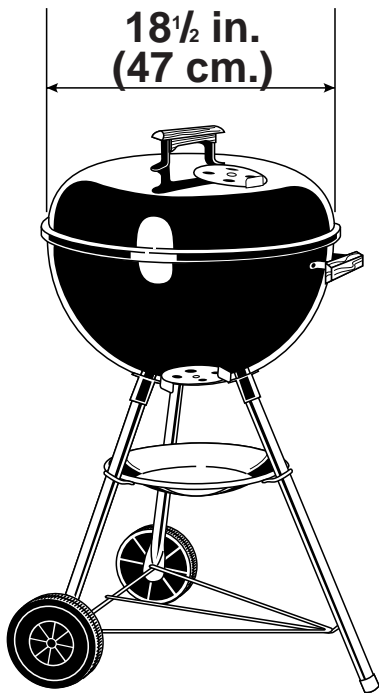


[Find Your Weber Grill Parts - Select From 2037 Models](#)

----- Manual continues below -----

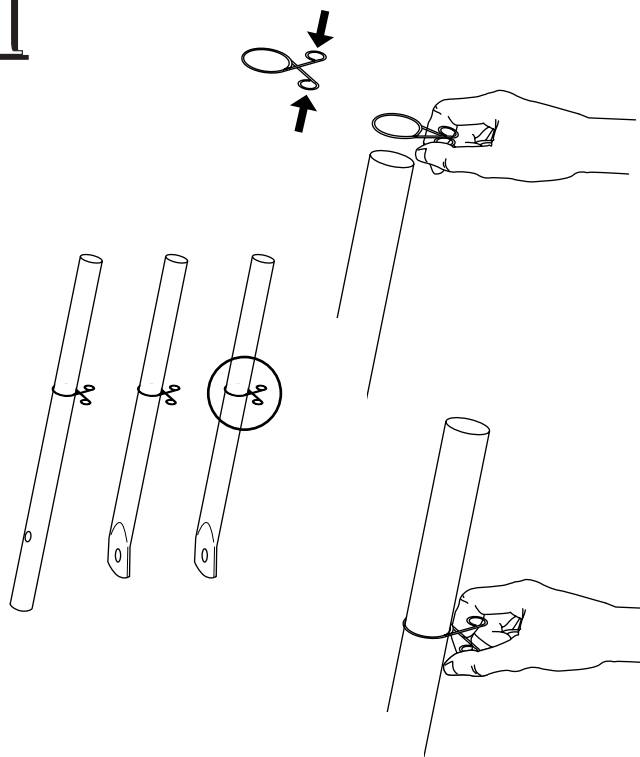


# BAR-B-KETTLE™

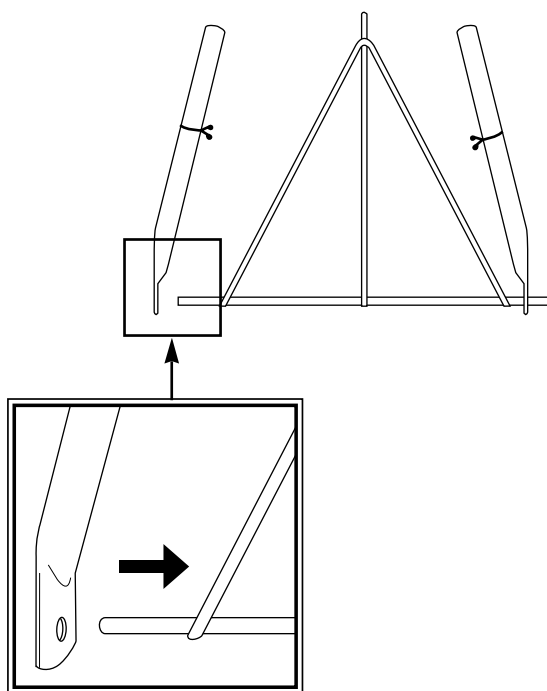


Read important DANGERS, WARNINGS and CAUTIONS in Owner's Guide before operating this barbecue.

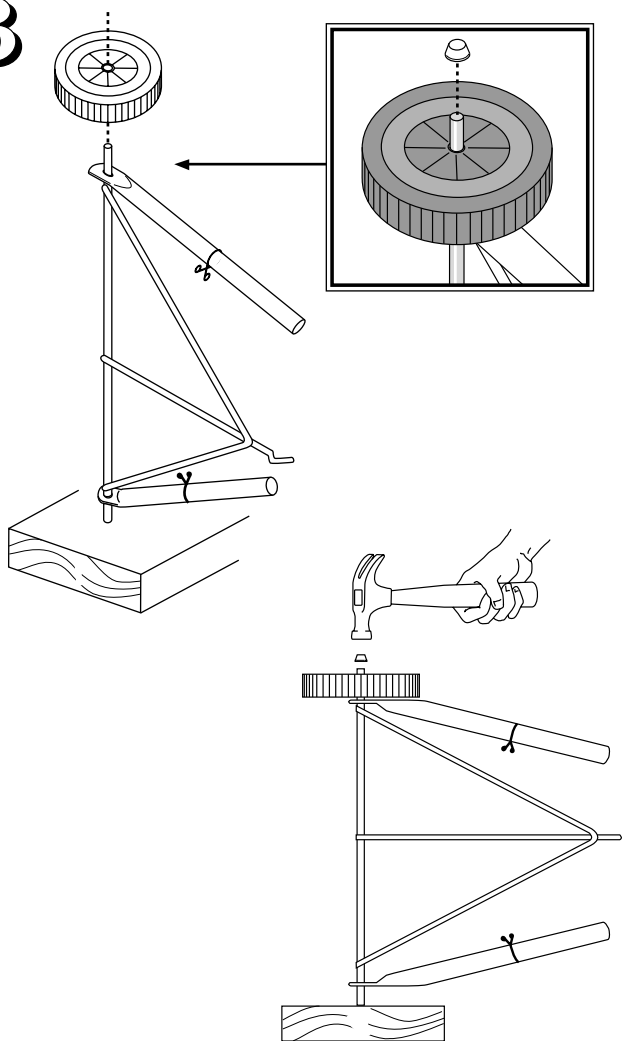
1



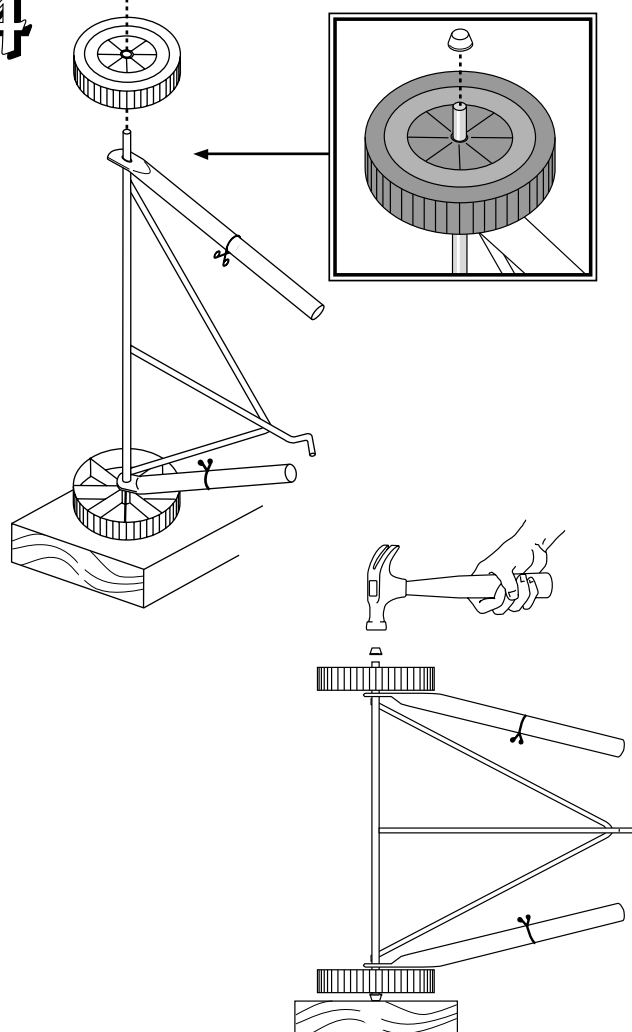
2



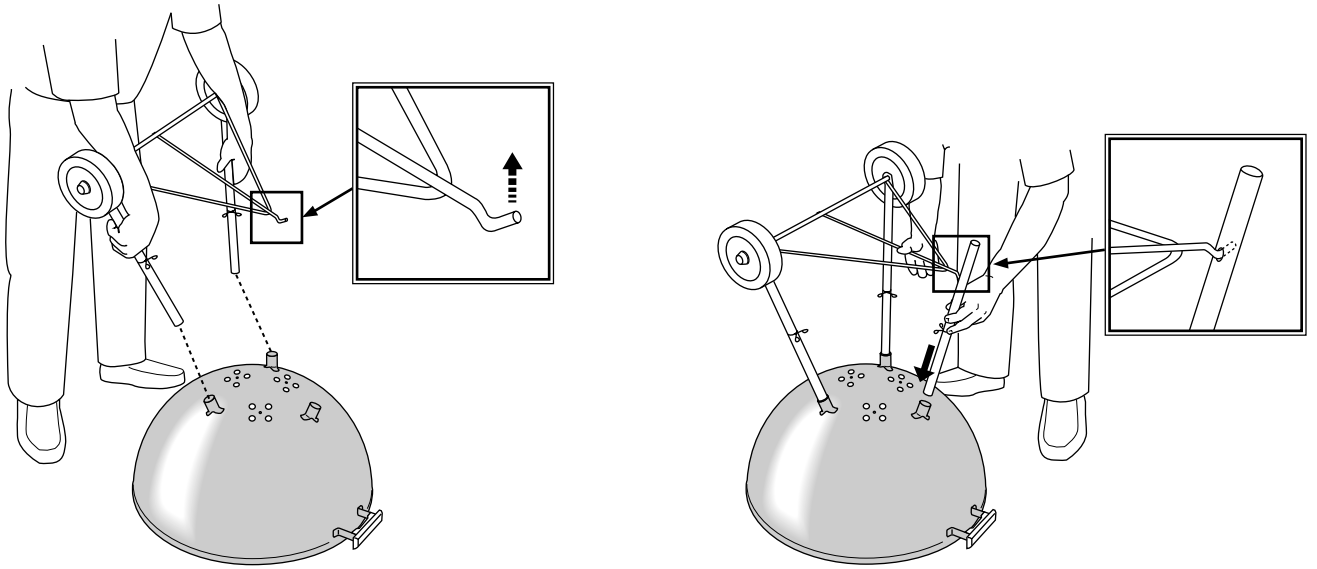
3



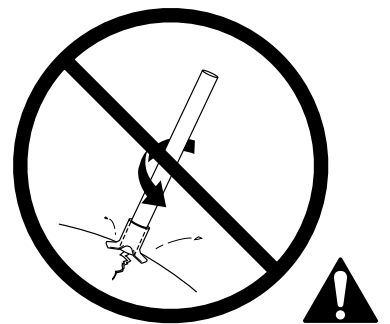
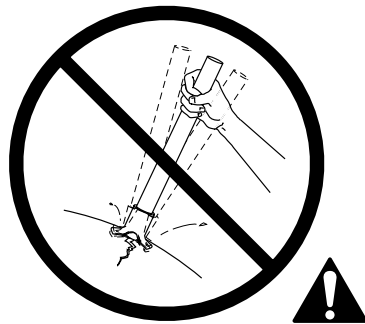
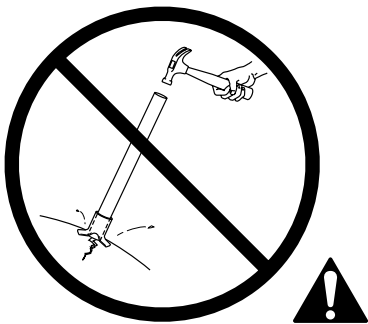
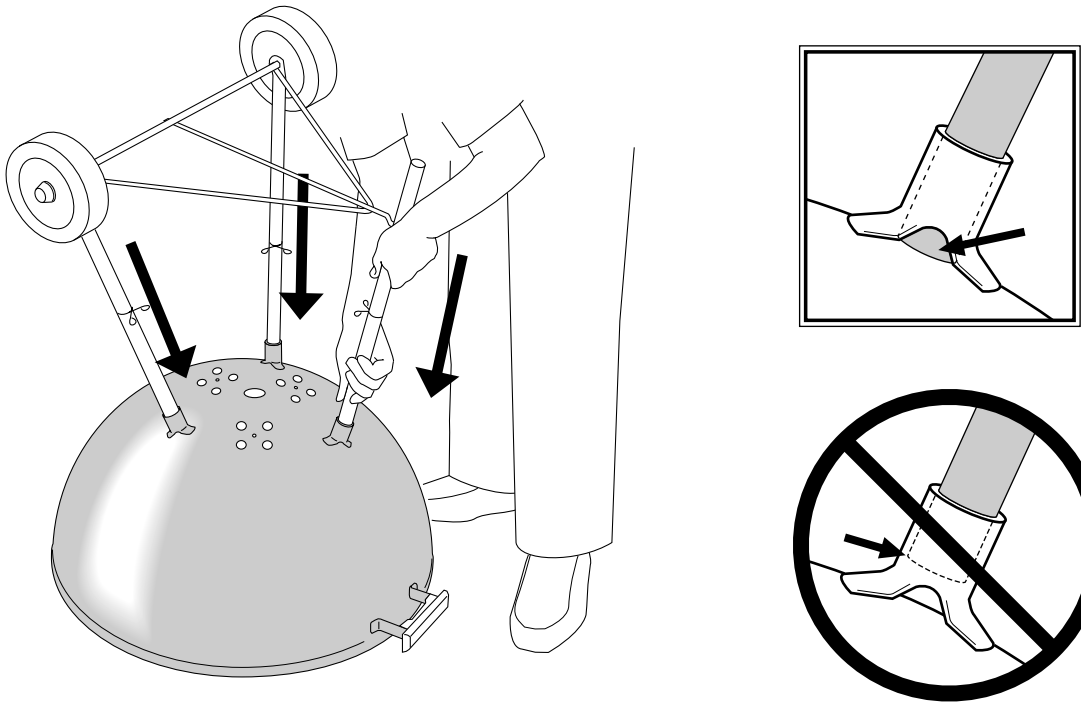
4



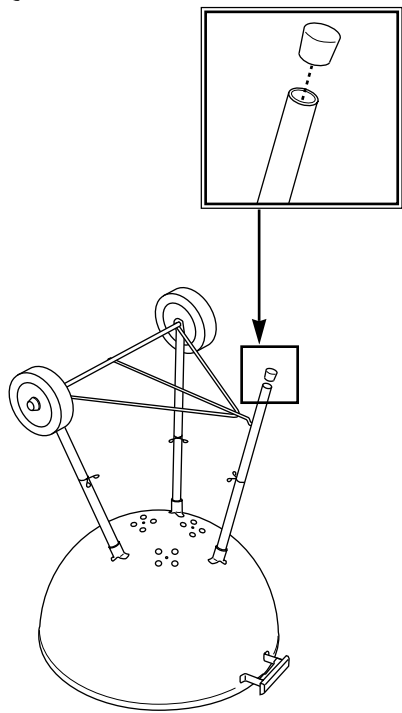
5



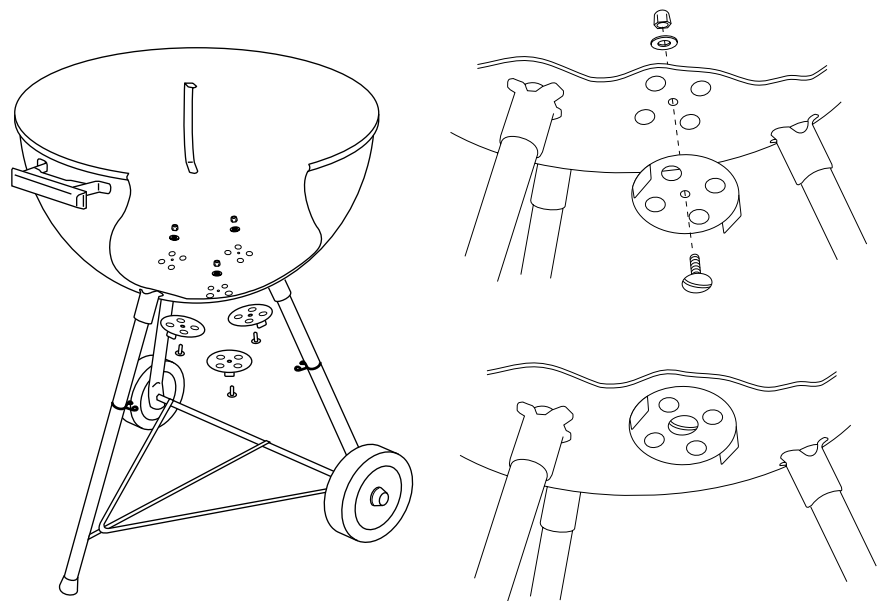
6



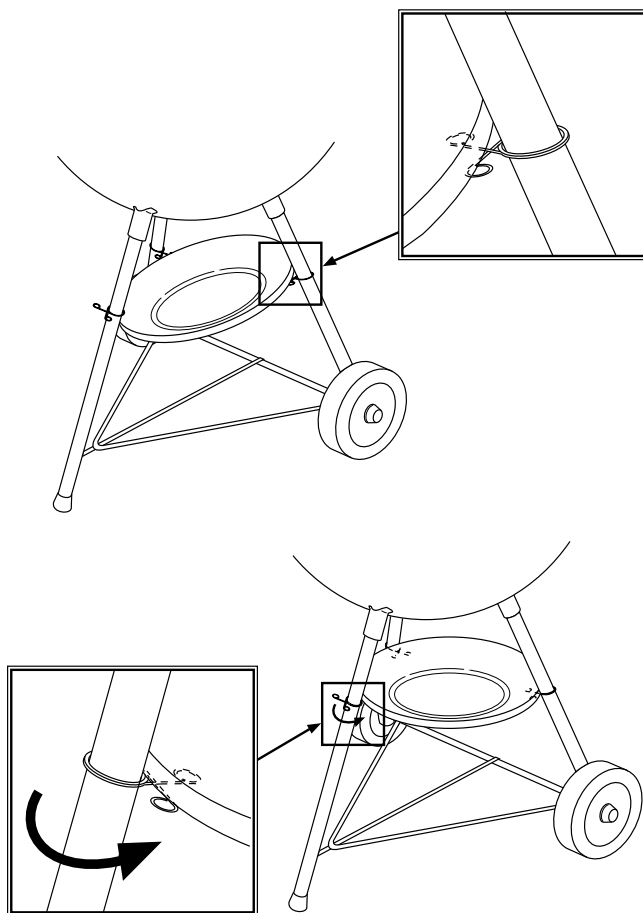
7



8



9



10

