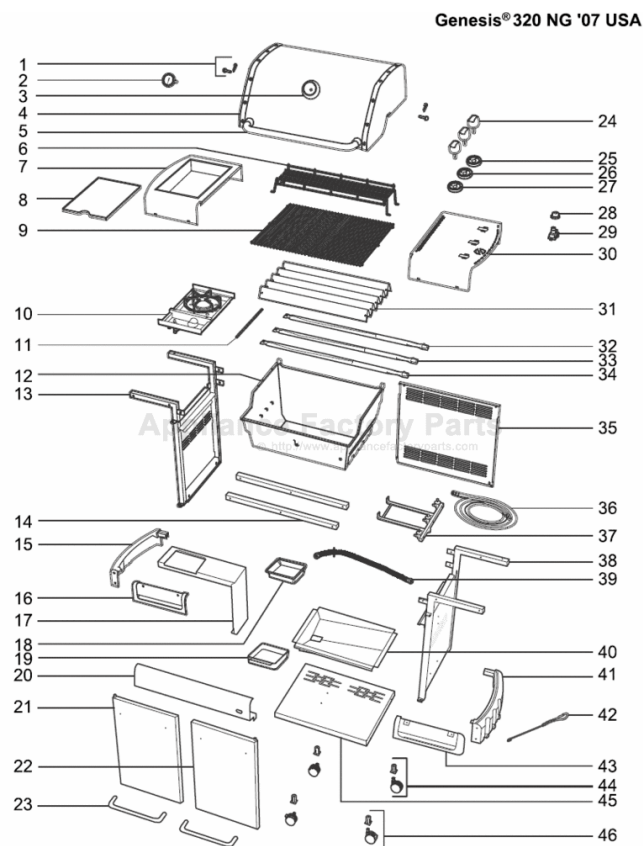


This Owner's Manual is provided and hosted by Appliance Factory Parts.



Weber GENESIS S-320 NG (2007) Owner's Manual

[Shop genuine replacement parts for Weber GENESIS
S-320 NG \(2007\)](#)



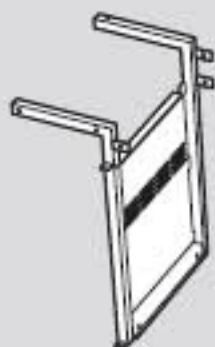
[Find Your Weber Grill Parts - Select From 2037 Models](#)

----- Manual continues below -----



ASSEMBLY INSTRUCTIONS

Left Frame - 1
Bastidor izquierdo - 1
Coffrage gauche - 1



Right Frame - 1
Bastidor derecho - 1
Coffrage droit - 1



Locking Caster - 2
Rueda loca con traba - 2
Ecrrou de verrouillage - 2



Caster - 2
Rueda loca - 2
Ecrrou - 2



Frame Support - 2
Soporte del bastidor - 2
Support de coffrage - 2



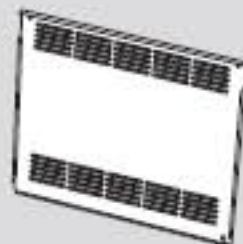
Bottom Tray - 1
Bandeja del fondo - 1
Plateau inférieur - 1



Cookbox Assembly - 1
Ensamble de la caja de cocción - 1



Rear Panel - 1
Panel trasero - 1
Panneau arrière - 1



Catch-Pan Holder - 1
Sostenedor del plato recolector - 1
Support de l'égouttoir - 1



Front Panel - 1
Panel delantero - 1
Panneau avant - 1



Right Trim Assembly - 1
Ensamble de la moldura derecha - 1
Ensemble de garniture droit - 1



Right Front Trim Assembly - 1
Moldura derecha delantera
Ensamble - 1
Garniture avant droite
Ensemble - 1



Knob - 3
Perilla - 3
Bouton - 3



Right Side Table - 1
Mesa lateral derecha - 1



Side B
Quema
Brûleur

Left Si
Mesa la
izquier
Tablett
gauche

Left Tr
Ensam
izquier
Ensem
gauche

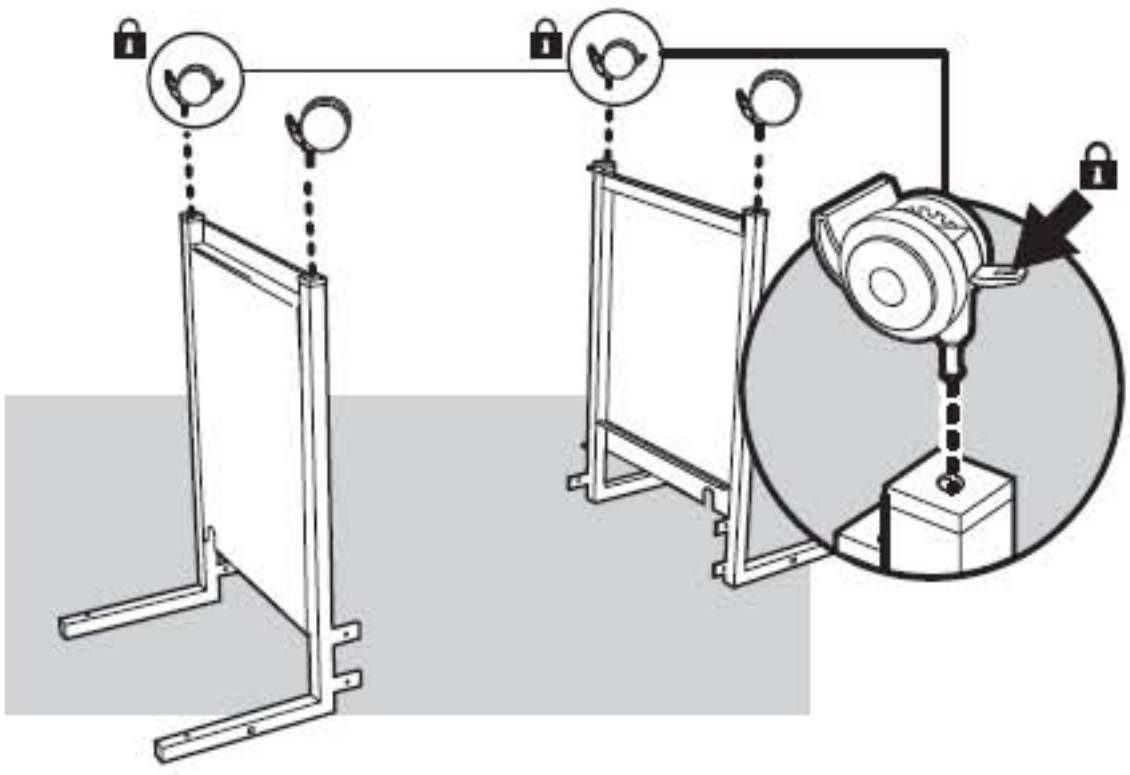
Shrou
Defens
Structu

Drip Tr
Bandej
Plateau
gouttes

Catch-
Plato r
Egoutto

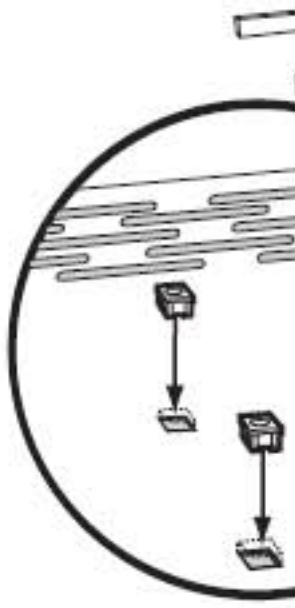
1

2-  2- 






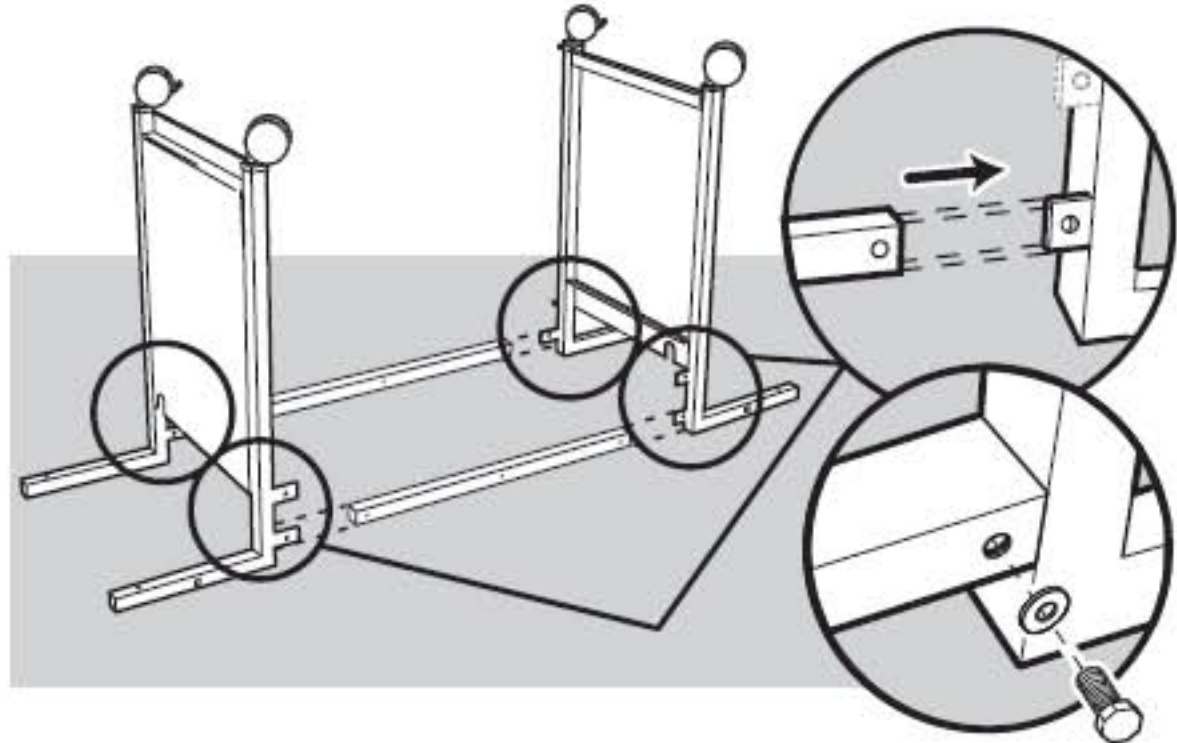
5A

2-



2

4-   • aluminium
• aluminio
• aluminium 



5B

3-



3A

6- 



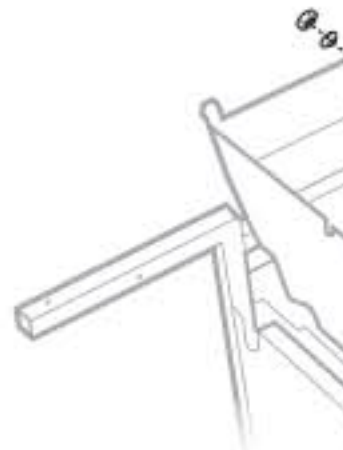
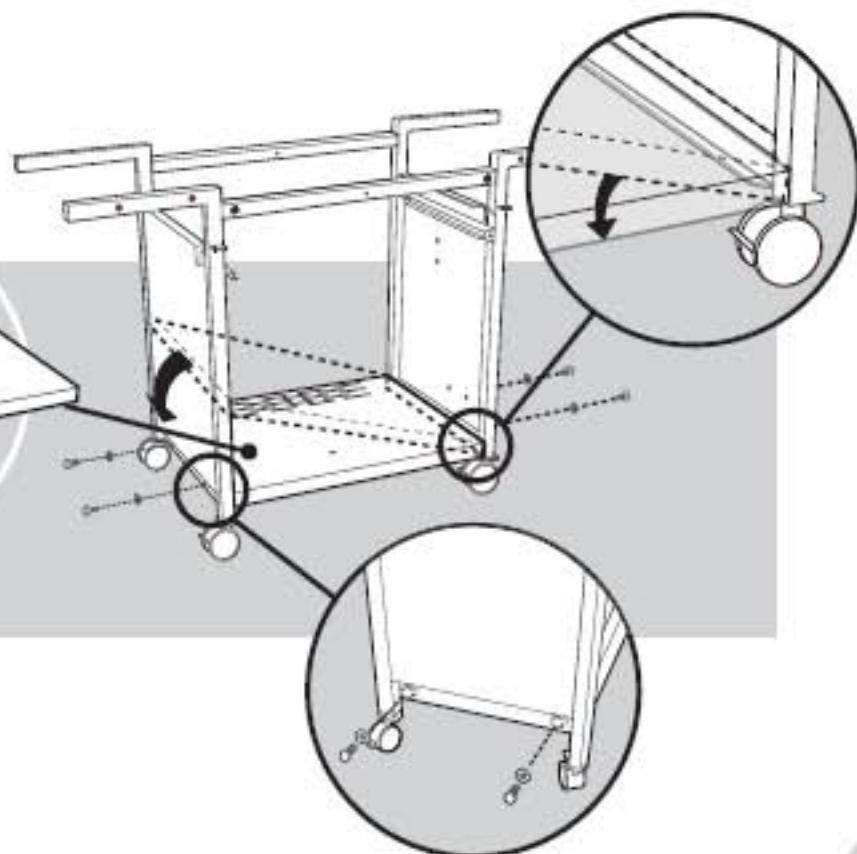
3C

4-



7

2-



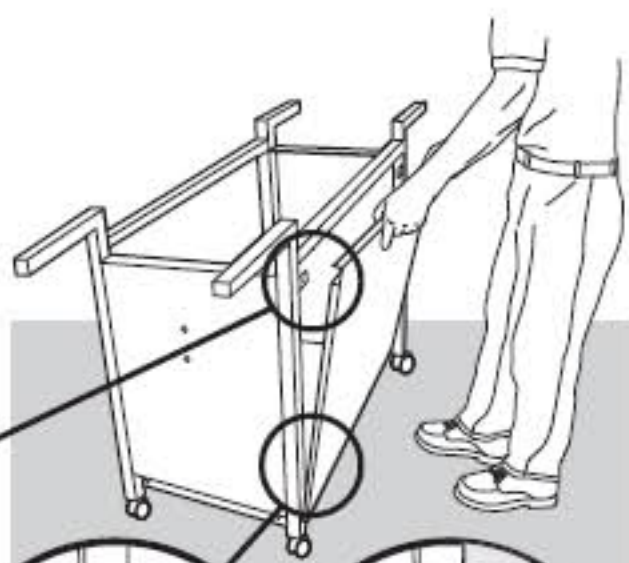
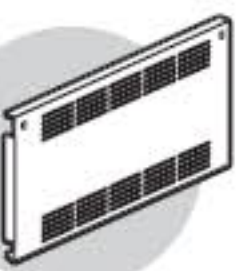
4

4-



8

2-



9

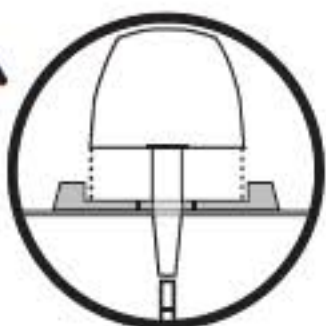
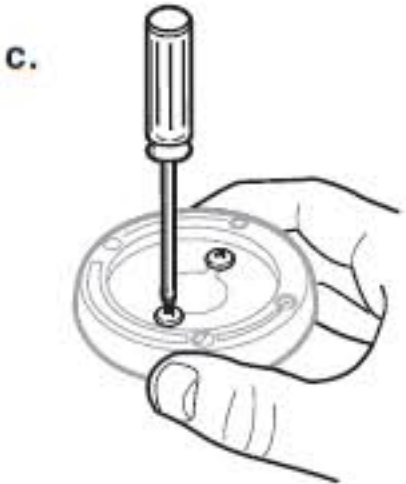
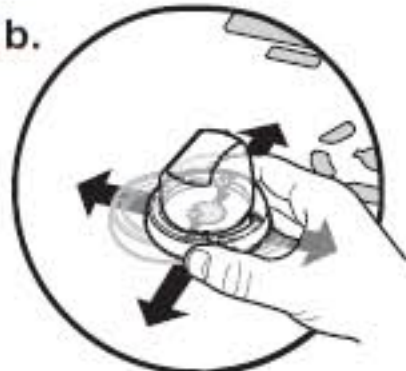
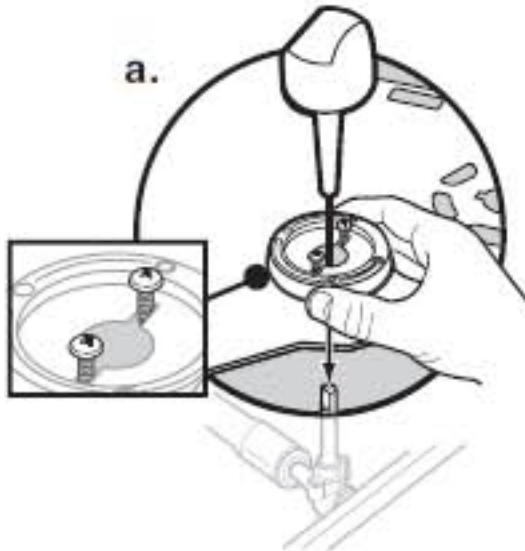
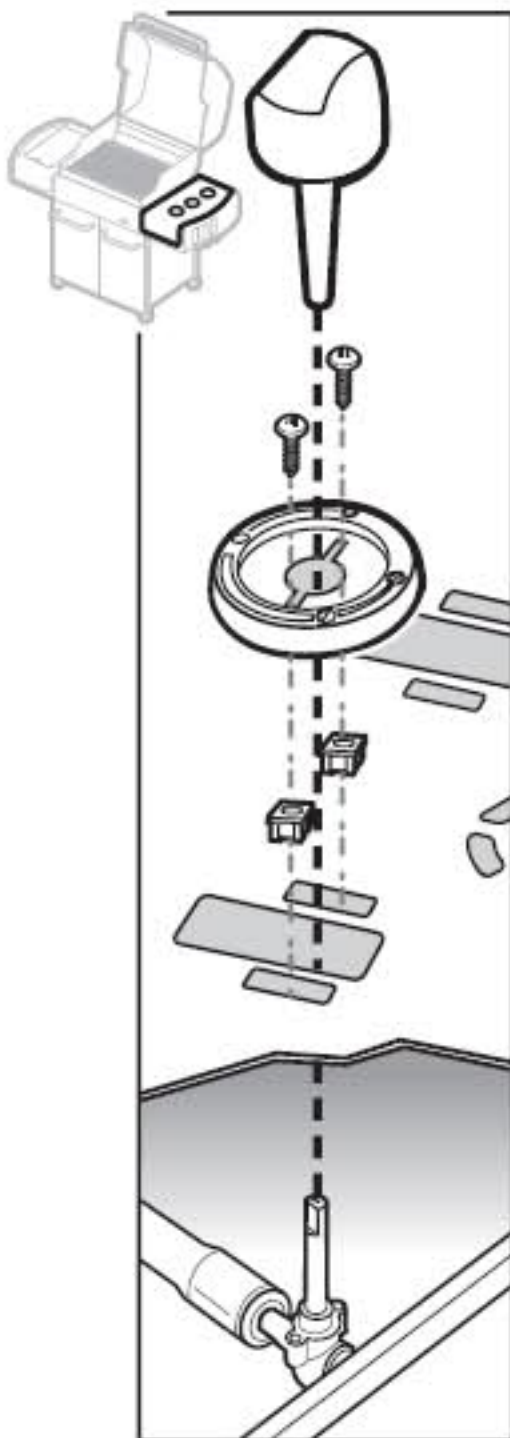
4-



16

3-  

17



18