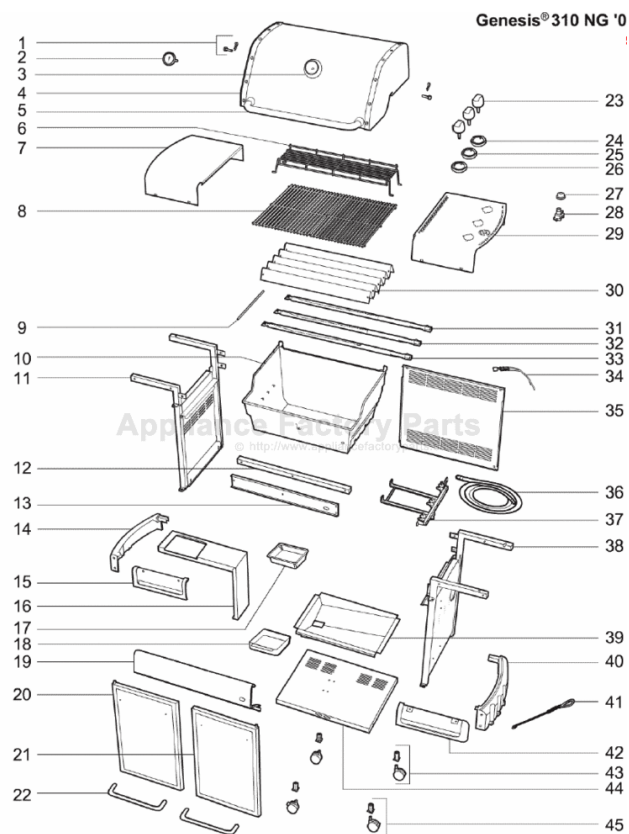


This Owner's Manual is provided and hosted by [Appliance Factory Parts](http://ApplianceFactoryParts.com).



# Weber GENESIS E-310 NG (2009) Owner's Manual

[Shop genuine replacement parts for Weber GENESIS  
E-310 NG \(2009\)](#)



[Find Your Weber Grill Parts - Select From 2037 Models](#)

----- Manual continues below -----

# GENESIS®

## GAS GRILL

### Natural Gas Grill Owner's Guide

Guía del Propietario de la Barbacoa de Gas Natural - Pg 19

Guide de l'utilisateur du barbecue au gaz naturel - Pg 32

**E/S - 310/320, EP - 310/320**

**#89479**

**YOU MUST READ THIS OWNER'S GUIDE  
BEFORE OPERATING YOUR GAS GRILL**

**⚠ DANGER**

If you smell gas:

1. Shut off gas to the appliance.
2. Extinguish any open flames.
3. Open lid.
4. If odor continues, keep away from the appliance and immediately call your gas supplier or your fire department.

Leaking gas may cause a fire or explosion which can cause serious bodily injury or death, or damage to property.

**⚠ WARNING:** Follow all procedures carefully to barbecue operation. Barbecue was dealer.

**NOTICE TO INSTALLER:** must be left with the owner. They should keep them for future use.

**THIS GAS APPLIANCE IS FOR  
OUTDOOR USE ONLY.**

**⚠ WARNING:** Do not try to operate the appliance without reading the instructions.

**⚠ DANGER**

Failure to follow the Dangers, Warnings and Cautions contained in this Owner's Manual may result in death, or in a fire or an explosion causing damage to property.

**⚠ WARNINGS**

- ⚠ Do not store a spare or disconnected liquid propane cylinder under or near this barbecue.
- ⚠ Improper assembly may be dangerous. Please follow the assembly instructions carefully.
- ⚠ After a period of storage, and/or nonuse, the Weber® gas barbecue should be checked for gas leaks before use. See instructions in this manual for correct procedures.
- ⚠ Do not operate the Weber® gas barbecue if there is a gas leak present.
- ⚠ Do not use a flame to check for gas leaks.
- ⚠ Combustible materials should never be within 24 inches (61 cm) of the back or sides of your Weber® gas barbecue.
- ⚠ Do not put a barbecue cover or anything flammable on, or in the storage area under the barbecue.
- ⚠ Your Weber® gas barbecue should never be used by children. Accessible parts of the barbecue should be kept away from children while it is in use.
- ⚠ You should exercise reasonable care when operating your Weber® gas barbecue. It will be hot and should never be left unattended, or moved while in operation.
- ⚠ Should the burners go out while in operation, turn all gas valves off. Open the lid and wait five minutes before relighting, using the lighting instructions.
- ⚠ Do not use charcoal or lava rock in your Weber® gas barbecue.
- ⚠ Never lean over open grill or place hands or fingers on the front edge of the cooking box.
- ⚠ Should a grease fire occur, turn off all burners and leave lid closed until fire is out.
- ⚠ Do not enlarge valve orifices or burner ports when cleaning the valves or burners.
- ⚠ The Weber® gas barbecue should be thoroughly cleaned on a regular basis.
- ⚠ Liquid propane gas is not natural gas. The conversion or attempted use of natural gas in a liquid propane gas unit is dangerous and will void your warranty.
- ⚠ Do not attempt to disconnect any gas fitting while your barbecue is in operation.
- ⚠ Use heat-resistant barbecue mitts or gloves when operating barbecue.
- ⚠ Keep any electrical supply cord and the fuel supply hose away from any heated surfaces.
- ⚠ Combustion byproducts produced when using this product contain chemicals known to the State of California to cause cancer, birth defects, or other reproductive harm.
- ⚠ Do not use this barbecue unless all parts are in place. The unit must be properly assembled according to the instructions.
- ⚠ Do not build this model of grill in any built-in or slide in construction. Ignoring this Warning could result in a fire that can damage property and cause serious bodily injury or death.
- ⚠ Proposition 65 Warning: Handling the brass material on this product exposes you to lead, a chemical known to the State of California to cause cancer, birth defects or other reproductive harm.  
(Wash hands after handling this product.)

**LIQUID PROPANE GAS UNITS ONLY:**

- ⚠ Use the pressure regulator and hose assembly that is supplied with your Weber® gas barbecue.
- ⚠ Do not attempt to disconnect the gas regulator and hose assembly or any gas fitting while your barbecue is in operation.
- ⚠ A dented or rusty liquid propane cylinder may be hazardous and should be checked by your local gas supplier before use. Do not use a liquid propane cylinder with a damaged valve.
- ⚠ Although your liquid propane cylinder may appear to be empty, gas may still be present, and it should be properly transported and stored accordingly.
- ⚠ If you see, smell or hear the hiss of escaping gas from the liquid propane cylinder:
  1. Move away from liquid propane cylinder.
  2. Do not attempt to correct the problem yourself.
  3. Call your fire department.

# WARRANTY, GARANTÍA, GARANTIE

Weber-Stephen Products Co. (Weber) hereby warrants to the ORIGINAL PURCHASER of this Weber® gas grill that it will be free of defects in material and workmanship from the date of purchase as follows:

Aluminum castings	25-years (2 years on paint, excludes fading)
Stainless steel Shroud,	25-years;
Porcelain-enamelled shroud,	25-years
Cookbox Assembly	10-years (2 year on paint excludes fading)
Stainless steel burners tubes,	10-years
Stainless steel cooking grates,	5-years no rust through or burn through
Stainless steel Flavorizer bars,	5-years no rust through or burn through
Porcelain-enamelled cast-iron cooking grates,	5-year no rust through or burn through
Porcelain-enamelled cooking grates,	3-years no rust through or burn through
Porcelain-enamelled Flavorizer bars,	2-years no rust through or burn through
Infrared Rotisserie Burner,	2-years
All remaining parts,	2-years

When assembled and operated in accordance with the printed instructions accompanying it. Weber may require reasonable proof of your date of purchase. THEREFORE, YOU SHOULD RETAIN YOUR SALES SLIP OR INVOICE.

This Limited Warranty shall be limited to the repair or replacement of parts that prove defective under normal use and service and which on examination shall indicate, to Weber's satisfaction, they are defective. Before returning any parts, contact the Customer Service Representative in your area using the contact information on our website. If Weber confirms the defect and approves the claim, Weber will elect to replace such parts without charge. If you are required to return defective parts, transportation charges must be prepaid. Weber will return parts to the purchaser, freight or postage prepaid.

This Limited Warranty does not cover any failures or operating difficulties due to accident, abuse, misuse, alteration, misapplication, vandalism, improper installation or improper maintenance or

Weber-Stephen Products Co., (Weber) mediante la presente le garantiza al COMPRADOR ORIGINAL de esta barbacoa de gas Weber® que la misma estará libre de defectos en cuanto a materiales y fabricación a partir de la fecha de compra según lo siguiente:

Piezas coladas de aluminio	25-años (2 años para la pintura excluyendo la decoloración)
Cubierta de acero inoxidable,	25-años
Cubierta porcelanizada,	25-años
Cámara para asar	10-años (2 años para la pintura excluyendo la decoloración)
Tubos de acero inoxidable de los quemadores,	10-años
Parrillas de cocción de acero inoxidable,	5-años sin perforación por fuego u oxidación
Barros Flavorizer de acero inoxidable,	5-años sin perforación por fuego u oxidación
Parrillas de cocción de hierro esmaltado porcelanizado,	5-años sin perforación por fuego u oxidación
Parrillas de cocción porcelanizadas,	3-años sin perforación por fuego u oxidación
Barros Flavorizer porcelanizados,	2-años sin perforación por fuego u oxidación
Quemador infrarrojo del asador giratorio,	2-años
Todas las demás partes,	2-años

cuando se ensambla y opera de acuerdo a las instrucciones impresas que la acompañan.

Weber pudiese requerir prueba razonable de la fecha de compra. POR LO TANTO, DEBERÁ GUARDAR SU RECIBO O FACTURA DE VENTA.

Esta garantía limitada está limitada a la reparación o reemplazo de piezas que resultasen defectuosas bajo uso y servicio normal y las cuales al examinarse indiquen, a plena satisfacción de Weber, que efectivamente son piezas defectuosas. Antes de devolver cualquier parte, contacte al Representante de Atención al Cliente en su área, cuya información de contacto la encontrará en nuestro sitio web. Si Weber confirma el defecto y aprueba el reclamo, ésta elegirá reparar o reemplazar tal pieza sin cargo alguno. Si usted tiene que retornarnos las partes defectuosas, los gastos de transporte deben ser prepagados. Weber retornará las partes al comprador con transporte o franqueo prepagado.

Esta Garantía Limitada no cubre ninguna falla o problema de operación a causa de accidentes, abuso, mal uso, alteración, uso en aplicaciones indebidas, vandalismo, instalación inapropiada o mantenimiento o servicio inapropiados, o por no llevar a cabo el mantenimiento normal y rutinario,

Weber-Stephen Products Co. (Weber) garantit par le présent document à l'ACHETEUR D'ORIGINE de ce grill à gaz Weber® que celui-ci ne comportera aucun défaut de pièce ni de main d'oeuvre à compter de la date d'achat comme suit :

Fonte d'aluminium	25 ans (2 ans pour la peinture à l'exception de toute décoloration)
Structure en acier inoxydable,	25 ans
Structure émaillée,	25 ans
Cuva,	10 ans (2 ans pour la peinture à l'exception de toute décoloration)
Tubes du brûleur en acier inoxydable,	10 ans
Grilles de cuisson en acier inoxydable,	5 ans sans trou provoqué par la rouille ou par une brûlure
Barros Flavorizer en acier inoxydable,	5 ans sans trou provoqué par la rouille ou par une brûlure
Grilles de cuisson en fonte émaillée,	5 ans sans trou provoqué par la rouille ou par une brûlure
Grilles de cuisson émaillées,	3 ans sans trou provoqué par la rouille ou par une brûlure
Barros Flavorizer émaillés,	2 ans sans trou provoqué par la rouille ou par une brûlure
Brûleur de cuisson à infrarouge,	2 ans

service, or failure to perform normal and routine maintenance caused by insects within the burner tubes, as set forth in the instructions. Deterioration or damage due to severe weather conditions or tornadoes, discoloration due to exposure to chemicals covered by this Limited Warranty.

There are no other express warranties except as set forth in the instructions. All warranties of merchantability and fitness are limited in duration by this Limited Warranty. Some regions do not allow limitation of remedy. This limitation may not apply to you.

Weber is not liable for any special, indirect or consequential damages, or exclusion or limitation of incidental or consequential damages, that may apply to you.

Weber does not authorize any person or company to make any representation in connection with the sale, installation, use, removal or return of such representations are binding on Weber.

This Warranty applies only to products sold at retail prices.

**WEBER-STEPHEN PRODUCTS CO.**  
Customer Service Center  
1890 Roselle Road, Suite 308  
Schaumburg, IL 60195  
USA

For replacement parts call:  
1-800-446-1071  
[www.weber.com](http://www.weber.com)

entre los que se incluyen, pero sin limitación, los daños causados por insectos dentro de los tubos de los quemadores, según se detalla en este manual de instrucciones. Esta Garantía Limitada no cubre el deterioro o daños causados por condiciones climáticas severas o tornados, sustancias químicas bien sea por contacto directo o indirecto.

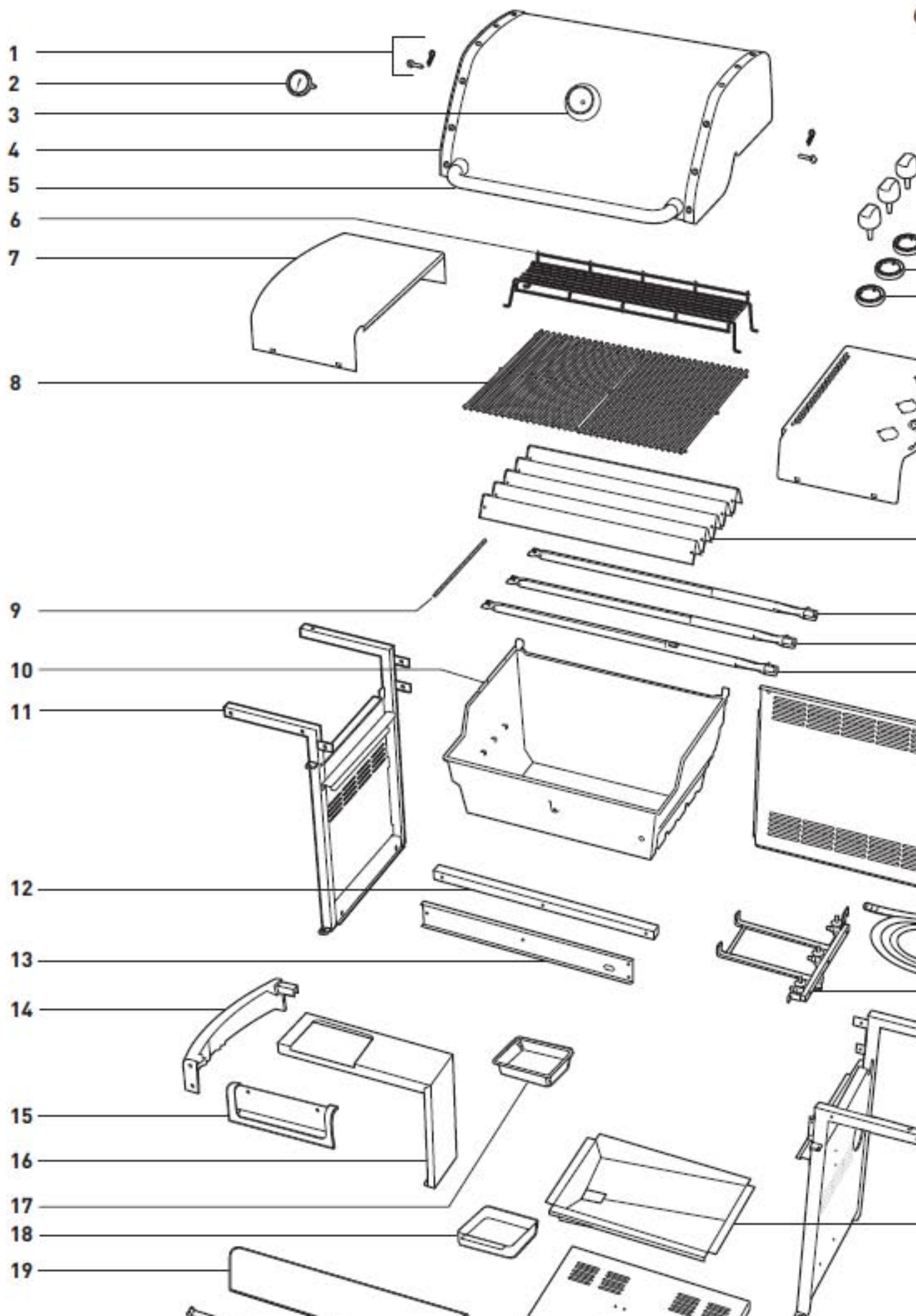
No existe ninguna otra garantía expresa que no esté implícita de comerciabilidad y aptitud de uso establecida en las instrucciones. Todas las garantías de comerciabilidad y aptitud de uso expresadas en esta garantía limitada por escrito. Algunos países no permiten la exclusión o limitación de remedio. Esta limitación puede no aplicarse a usted. Weber no se hace responsable de cualesquier daños especiales, indirectos o consecuentes, o de exclusión o limitación de daños incidentales o consecuentes que puedan aplicarse a usted. Weber no autoriza a persona o empresa alguna a hacer cualquier representación en relación con la venta, instalación, uso, eliminación o devolución de tales representaciones. Estas representaciones serán vinculantes para Weber. Esta Garantía aplica solo a aquellos productos vendidos al precio de venta minorista.

**WEBER-STEPHEN PRODUCTS CO.**  
Customer Service Center  
1890 Roselle Road, Suite 308  
Schaumburg, IL 60195  
USA

Para partes de repuesto llame a:  
1-800-446-1071  
[www.weber.com](http://www.weber.com)

insectes à l'intérieur des tubes du brûleur, tel que décrit dans les instructions. Toute détérioration ou tout dommage résultant de conditions climatiques sévères ou des tornades, agents chimiques directement ou dans l'atmosphère. Cette garantie limitée.

Il n'existe aucune autre garantie expresse hormis celle de l'aptitude à l'usage établie dans les instructions. Toutes les garanties de commercialisation et de bon état induites par la présente Garantie limitée écrite expresse. Certains pays ne permettent pas la limitation de recours. Cette limitation peut ne pas s'appliquer à vous. Weber n'est pas responsable de dommages spéciaux, indirects ou consécutifs, ou de limitation de dommages incidentels ou consécutifs qui pourraient s'appliquer à vous. Weber n'autorise aucune personne ou entreprise à faire toute représentation en relation avec la vente, l'installation, l'utilisation, l'élimination ou le retour de telles représentations. Ces représentations seront contraignantes pour Weber. Cette Garantie s'applique uniquement aux produits vendus au prix de vente au détail.



## LISTA DEL DIAGRAMA DE DESPIECE, LISTE DE LA VISION

- |   |   |   |
|---|---|---|
| 1. <b>Shroud Hardware</b><br>Accesorios de la cubierta<br>Structure de protection                     | 18. <b>Catch Pan</b><br>Plato recolector<br>Egouttoir                             | 35. <b>Back Panel</b><br>Panel posterior<br>Panneau arrière   |
| 2. <b>Thermometer</b><br>Termómetro<br>Thermomètre  | 19. <b>Front Panel</b><br>Panel frontal<br>Panneau avant                          | 36. <b>Natural Gas Control Valve</b><br>Válvula de control de gas natural<br>Tuyau                      |
| 3. <b>Thermometer Bezel</b><br>Moldura decorativa del termómetro<br>Plaque indicatrice du thermomètre | 20. <b>Left Door</b><br>Puerta izquierda<br>Porte gauche                          | 37. <b>Main Control Panel</b><br>Panel de control principal<br>Módulo de control<br>Collège de commande |
| 4. <b>Shroud</b><br>Cubierta<br>Tôle de protection  | 21. <b>Right Door</b><br>Puerta derecha<br>Porte droite                           | 38. <b>Right Side Table</b><br>Mesa lateral derecha<br>Tablette latérale droite                         |
| 5. <b>Handle</b><br>Asa<br>Poignée  | 22. <b>Door Handle</b><br>Asa de la puerta<br>Poignée de porte                    | 39. <b>Drip Pan</b><br>Caja de goteo<br>Bandeau<br>Egouttoir  |
| 6. <b>Warming Rack</b><br>Rejilla de calentamiento<br>Grille de réchauffage                           | 23. <b>Control Knob</b><br>Perilla de control<br>Bouton de commande               | 40. <b>Right Side Panel</b><br>Panel lateral derecho<br>Panneau latéral droit                           |
| 7. <b>Left Side Table</b><br>Mesa lateral izquierda<br>Tablette latérale gauche                       | 24. <b>Bezel #3</b><br>Moldura decorativa #3<br>Plaque indicatrice N° 3           | 41. <b>Main Control Panel</b><br>Panel de control principal<br>Módulo de control<br>Collège de commande |
| 8. <b>Cooking Grates</b><br>Parrillas de cocción<br>Grilles de cuisson                                | 25. <b>Bezel #2</b><br>Moldura decorativa #2<br>Plaque indicatrice N° 2           | 42. <b>Right Side Panel</b><br>Panel lateral derecho<br>Panneau latéral droit                           |
| 9. <b>Crossover Tube</b><br>Tubo Crossover<br>Tuyau Crossover   | 26. <b>Bezel #1</b><br>Moldura decorativa #1<br>Plaque indicatrice N° 1           | 43. <b>Crossover Tube</b><br>Tubo de cruce<br>Rue de tuyau  |
| 10. <b>Cookbox</b><br>Caja de cocción<br>Boîtier de cuisson   | 27. <b>Igniter Button</b><br>Botón de encendido<br>Bouton d'allumage              | 44. <b>Bottom Panel</b><br>Panel inferior<br>Panneau inférieur  |
| 11. <b>Left Frame Panel</b><br>Panel izquierdo del bastidor<br>Panneau du cadre gauche                | 28. <b>Igniter Module</b><br>Módulo de encendido<br>Bouton d'allumage             | 45. <b>Locking Bolt</b><br>Barrido de bloqueo<br>Roue de verrouillage                                   |
| 12. <b>Rear Frame Support</b><br>Soporte posterior del bastidor<br>Support arrière du cadre           | 29. <b>Right Side Table</b><br>Mesa lateral derecha<br>Tablette latéral droite    |   |
| 13. <b>Front Frame Support</b><br>Soporte delantero del bastidor<br>Support avant du cadre            | 30. <b>Flavorizer® Bar</b><br>Barra Flavorizer®<br>Barre Flavorizer®              |   |
| 14. <b>Left Trim Piece</b><br>Pieza de guarnición izquierda<br>Pièce de garniture gauche              | 31. <b>Rear Burner Tube</b><br>Tubo quemador posterior<br>Tube du brûleur arrière |   |

Your Weber® gas barbecue is a portable outdoor cooking appliance. With the Weber® gas barbecue you can grill, barbecue, roast and bake with results that are difficult to duplicate with indoor kitchen appliances. The closed lid and Flavorizer® bars produce that “outdoor” flavor in the food.

The Weber® gas barbecue is portable so you can easily change its location in your yard or on your patio. Portability means you can take your Weber® gas barbecue with you if you move.

The natural gas supply is easy to use and gives you more cooking control than charcoal fuel.

- These instructions will give you the minimum requirements for assembling your Weber® gas barbecue. Please read the instructions carefully before using your Weber® gas barbecue. Improper assembly can be dangerous.
- Not for use by children.
- If there are local codes that apply to portable gas grills, you will have to conform to them. Installation must conform with local codes or, in the absence of local codes, with either the National Fuel Gas Code, ANSI Z223.1/NFPA 54, Natural Gas and Propane Installation Code, CSA B149.1, or Propane Storage and Handling Code, B149.2, or the Standard for Recreational Vehicles, ANSI A 119.2/NFPA 1192, and CSA Z240 RV Series, Recreational Vehicle Code, as applicable.
- This Weber® gas barbecue is designed for natural (piped in city) gas only. Do not use liquid propane (LP) bottled gas. The valves, orifices and hose are for natural gas only.
- Do not use with charcoal fuel.
- Check that the area under the control panel and the bottom tray are free from debris that might obstruct the flow of combustion or ventilation air.

## FOR INSTALLATION IN CANADA

These instructions, while generally acceptable, do not necessarily comply with the Canadian Installation codes, particularly with piping above and below ground. In Canada the installation of this appliance must comply with local codes and/or Standards CAN/CGA-B149.1 (Installation Code for Natural Gas Burning Appliances and Equipment).

## STORAGE

- The gas must be turned off at the natural gas supply when the Weber® gas barbecue is not in use.
- When the Weber® gas barbecue is stored indoors, the gas supply must be disconnected.
- The Weber® gas barbecue should be checked for gas leaks and any obstructions in the burner tubes before using. (See Section: “Maintenance/Annual Maintenance”).
- Check that the areas under the control panel and the slide out bottom tray are free from debris that might obstruct the flow of combustion or ventilation air.
- The Spider /Insect Screens should also be checked for any obstructions. (See Section: “Maintenance/Annual Maintenance”).

## COOKING

**⚠ WARNING: Do not move the Weber® gas barbecue when operating or while barbecue is hot.**

You can adjust BURNER 1, 2, and 3 as desired. The control settings: High (H), Medium (M), Low (L), or Off (O) are described in your Weber® cookbook. The cookbook uses these notations to describe the settings of BURNER 1, 2, and 3. For example, to sear steaks, you would set all burners at H (high). Then to complete cooking, you would set BURNER 1 and BURNER 3 at M (medium). Refer to your Weber® cookbook for detailed cooking instructions.

*Note: The temperature inside your cooking box for the first few uses, while surfaces are still very reflective, may be hotter than those shown in your cookbook. Cooking conditions such as wind and weather may require the adjustment of the burner controls to*

## OPERATING

- ⚠ **WARNING: Only use this barbecue in a well-ventilated area. Do not use in a garage or any other enclosed area.**
- ⚠ **WARNING: Your Weber® gas barbecue should not be used under overhead combustible materials.**
- ⚠ **WARNING: Your Weber® gas barbecue should not be installed in or on recreational vehicles.**
- ⚠ **WARNING: Do not use the barbecue with flammable or combustible materials. This includes paper, plastic, and the sides of the grill.**
- ⚠ **WARNING: The entire cooking area should not be left unattended.**
- ⚠ **WARNING: Keep any electrical wiring and supply hose away from any heat source.**
- ⚠ **WARNING: Keep the cooking area clear of flammable materials and liquids, such as gasoline, oil, and grease.**

## GAS SUPPLY TESTING

- Disconnect your Weber® gas barbecue from the gas supply piping system at the pressure test pressures. This appliance and its components are not designed for test pressures in excess of 1/2 psig.
- Turn off your Weber® gas barbecue at the gas supply piping system at the pressure test pressures. This appliance must be turned off by closing its individual manual shutoff valve before testing the supply piping system at the pressure test pressures.

**⚠ WARNING: Check the bottom tray for debris after each use. Remove excess grease from the slide out bottom tray.**

## CLEANING

- ⚠ **WARNING: Turn your Weber® gas barbecue off and allow it to cool before cleaning.**
- ⚠ **CAUTION: Do not clean your grill grates in a self-cleaning oven.**

# GENERAL INSTRUCTIONS

**Slide out Bottom tray** - Remove excess grease, then wash with warm soapy water, then rinse.

**Flavorizer® bars and Cooking grates** - Clean with a suitable brass bristle brush. As needed, remove from grill and wash with warm soapy water, then rinse with water.

**Catch pan** - Disposable foil trays are available, or you can line the catch pan with aluminum foil. To clean the catch pan, wash with warm soapy water, then rinse.

**Thermometer** - Wipe with warm soapy water; clean with plastic scrub ball.

**Inside cooking module** - Brush any debris off of burner tubes. **DO NOT ENLARGE BURNER PORTS (OPENINGS)**. Wash inside of cooking box with warm soapy water and a water rinse.

**Inside Lid** - While lid is warm, wipe inside with paper towel to prevent grease build-up. Flaking built-up grease resembles paint flakes.

**Stainless steel surfaces** - Wash with a soft cloth and a soap and water solution. Be careful to scrub with the grain direction of the stainless steel.

**Do not use cleaners that contain acid, mineral spirits or xylene. Rinse well after cleaning.**

**Preserve Your Stainless Steel** - Your grill may be made from stainless steel. To keep it looking like new is a simple matter. Clean it with soap and water. To remove stubborn particles, the use of a non-metal brush is recommended.

⚠ **IMPORTANT:** Do not use a wire brush on the stainless steel surfaces to avoid scratches.

⚠ **IMPORTANT:** When cleaning stainless steel, scrub in the direction of the grain to avoid scratches.

# GAS INSTRUCTIONS

## INSTALL GAS SUPPLY

### GENERAL SPECIFICATIONS FOR PIPING

**Note:** Contact your local municipality for building codes regulating outdoor gas barbecue installations. In absence of Local Codes, you must conform to the latest edition of the National Fuel Gas Code: ANSI Z 223.1/NFPA 54, or CAN/CGA-B149.1, Natural Gas and Propane Installation Code. **WE RECOMMEND THAT THIS INSTALLATION BE DONE BY A PROFESSIONAL.**

Some of the following are general requirements taken from the latest edition of the National Fuel Gas Code: ANSI Z 223.1/NFPA 54, or CAN/CGA-B149.1, Natural Gas and Propane Installation Code for complete specifications.

- This barbecue is designed to operate at 7 inches of water column pressure (.2526 psi).
- A manual shut-off valve must be installed outdoors, immediately ahead of the quick disconnect.
- An additional manual shut-off valve indoors should be installed in the branch fuel line in an accessible location near the supply line.
- The quick disconnect connects to a 3/8 inch NPT thread from the gas source. The quick disconnect fitting is a hand-operated device that automatically shuts off the flow of gas from the source when the barbecue is disconnected.
- The quick disconnect fitting can be installed horizontally, or pointing downward. Installing the fitting with the open end pointing upward can result in collecting water and debris.
- The dust covers (supplied plastic plugs) help keep the open ends of the quick disconnect fitting clean while disconnected.
- Pipe compound should be used which is resistant to the action of natural gas when connections are made.
- The outdoor connector must be firmly attached to rigid, permanent construction.

⚠ **WARNING:** Do not route the 10 foot hose under a deck. The hose must be visible.

### GAS LINE PIPING

- If the length of the line required does not exceed 50 feet, use a 5/8" O.D. tube. One size larger should be used for lengths greater than 50 feet.
- Gas piping may be copper tubing, type K or L; polyethylene plastic tube, with a

⚠ D

Do not use an open flame to check for gas leaks. There are no sparks or open flames. Always check for gas leaks. This will help prevent gas leaks which can cause serious bodily injury or property damage.



This is a typical installation of a Weber® natural gas barbecue. Local codes may require different installations.

## TYPE OF GAS

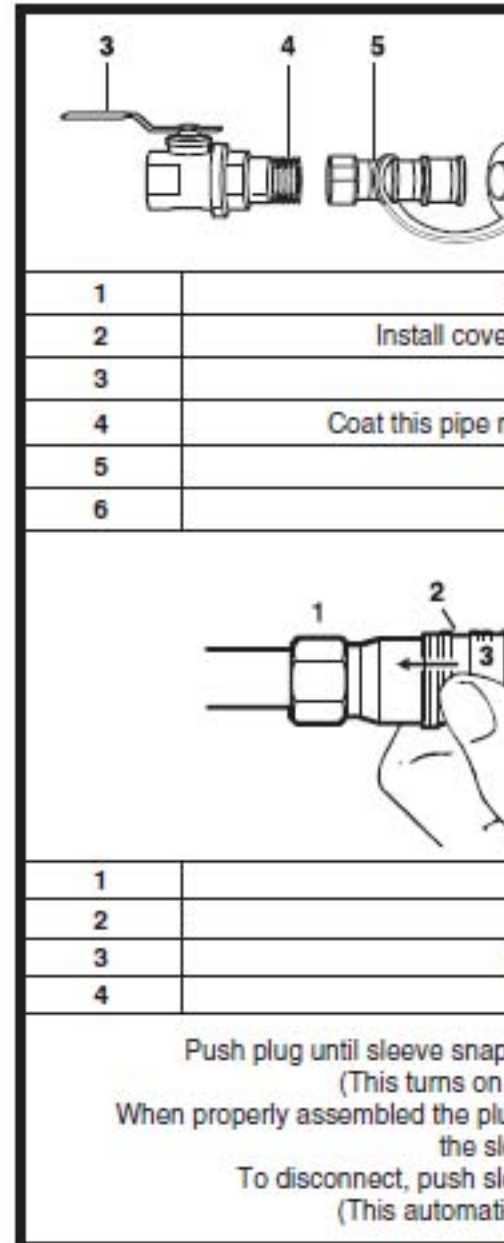
Your natural gas grill is factory built to operate using natural gas only. Never attempt to operate your grill on gases other than the type specified on the grill rating plates. Your grill operates at 7" of water column pressure. If replacement of the hose becomes necessary, factory specified parts are required. See your local dealer. For safety and design reasons, the conversion of a Weber® grill from operation using Natural gas to operation using LP gas requires the change out of the entire gas supply system of the grill. If this becomes necessary, see your dealer for additional information.

## WHAT IS NATURAL GAS?

Natural gas, often called methane, is a safe modern fuel. Natural gas is supplied by your local utility and should be readily available if your house is already heated with gas.

## PORTABLE INSTALLATION

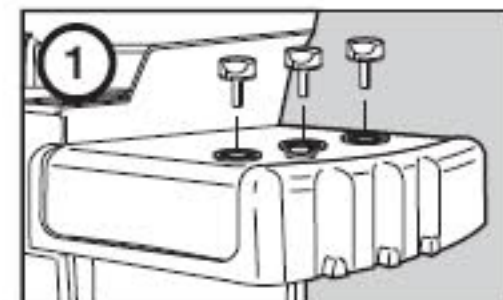
Weber® recommends moving the grill at least two (2) feet from the gas supply and any combustible surfaces. After the gas supply has been run and checked for leaks in accordance to the assembly instructions, you are ready to grill. To connect the hose to the gas supply, pull back the outer fitting, insert the hose fitting all of the way, and release the outer fitting. This process will produce a gas joint.



## LEAK CHECK PREPARATION

### CHECK THAT ALL BURNER VALVES ARE OFF

Valves are shipped in the "OFF" position, but you should check to be sure that they are turned off. Check by pushing in and turning clockwise. If they do not turn, they are off. Proceed to the next step. If they do turn continue turning them clockwise until they stop, then they are off. Proceed to the next step.



### REMOVE CONTROL KNOBS & CONTROL PANEL FOR LEAK TESTING



## CHECK THE FLEXIBLE HOSE TO MANIFOLD CONNECTION

The natural gas hose has been attached during the manufacturing process. We do recommend that the hose to gas manifold connection be leak tested, following guidelines in this Owner's Guide, prior to barbecue operation.

## CHECK FOR GAS LEAKS

### ⚠ DANGER

**Do not use an open flame to check for gas leaks. Be sure there are no sparks or open flames in the area while you check for leaks. Sparks or open flames will result in a fire or explosion which can cause serious bodily injury or death and damage to property.**

**⚠ WARNING: You should check for gas leaks every time you disconnect and reconnect a gas fitting.**

*Note: All factory-made connections have been thoroughly checked for gas leaks. The burners have been flame-tested. As a safety precaution however, you should recheck all fittings for leaks before using your Weber® gas barbecue. Shipping and handling may loosen or damage a gas fitting.*

**⚠ WARNING: Perform these leak checks even if your barbecue was dealer or store assembled.**

You will need: a soap and water solution, and a rag or brush to apply it. Make sure side burner is off (See LEAK CHECK PREPARATION). Remove valve control knob and screws. Remove porcelain top.

To perform leak checks: Slide back the collar of the quick disconnect (1). Push male fitting of the hose into the quick disconnect, and maintain pressure. Slide the collar closed (2). If it does not engage or lock, repeat procedure. Gas will not flow unless the quick disconnect is properly engaged.

Turn on gas supply.

Check for leaks by wetting the connections with the soap and water solution and watching for bubbles. If bubbles form or if a bubble grows, there is a leak.

*Note: Since some leak test solutions, including soap and water, may be slightly corrosive, all connections should be rinsed with water after checking for leaks.*

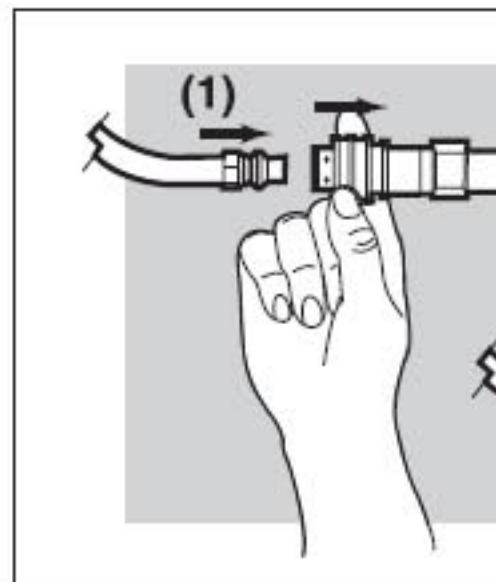
**⚠ WARNING: Do not ignite burners when leak checking.**

## CHECK:

1) Hose to manifold connection.

**⚠ WARNING: If there is a leak at connection(1), retighten the fitting with a wrench and recheck for leaks with soap and water solution. If a leak persists after retightening the fitting, turn OFF the gas. DO NOT OPERATE THE GRILL. Contact the Customer Service Representative in your area using the contact information on our web site. Log onto [www.weber.com](http://www.weber.com)®.**

2) Hose to quick disconnect connection.



310

\* The grill illustrated may have slight differences than the model purchased.



## MAIN BURNER LIGHTING

- 1) Open the lid.
- 2) Make sure all burner control knobs are turned OFF. (Push control knob down and turn clockwise to ensure that it is in the OFF position.)
- 3) Turn the gas supply valve on.

**⚠ WARNING: Do not lean over the open barbecue. Keep your face and body at least one foot away from the matchlight hole when lighting the barbecue.**

- 4) Push BURNER 1 control knob down and turn to START/HI.
- 5) Push and hold the electronic ignition button. You will hear it sparking.
- 6) Check that the burner is lit by looking through the matchlight hole on the front of the cooking box. You should see a flame.

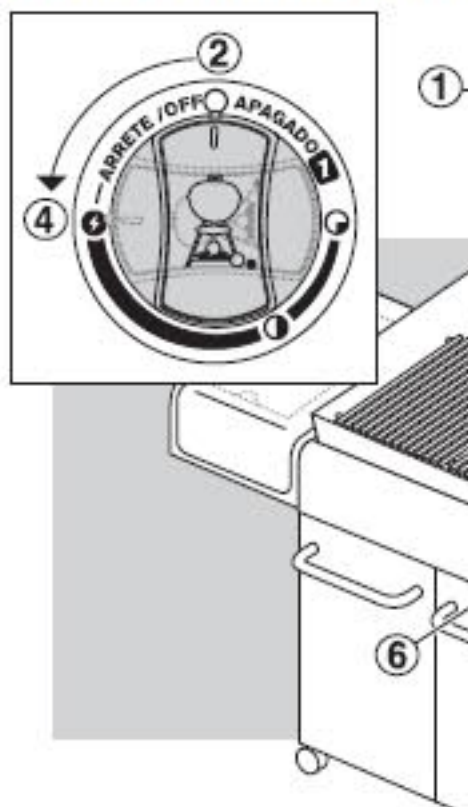
**⚠ WARNING: If the burner does not light in five (5) seconds, turn the Burner 1 control knob to OFF and wait 5 minutes to let the gas clear before you try again or try to light with a match.**

- 7) After BURNER 1 is lit you can turn on BURNER 2 (and BURNER 3).
- Note - Always light BURNER 1 first. The other burners ignite from BURNER 1.*

## TO EXTINGUISH

Push down and turn each burner control knob clockwise to the OFF position. Turn gas supply OFF at the source.

## MAIN BURNER LIGHTING



\* The grill illustrated may have slight differences than the model purchased.

## MAIN BURNER MANUAL LIGHTING

### ⚠ DANGER

**Failure to open the lid while igniting the barbecue's burners, or not waiting 5 minutes to allow the gas to clear if the barbecue does not light, may result in an explosive flame-up which can cause serious bodily injury or death.**

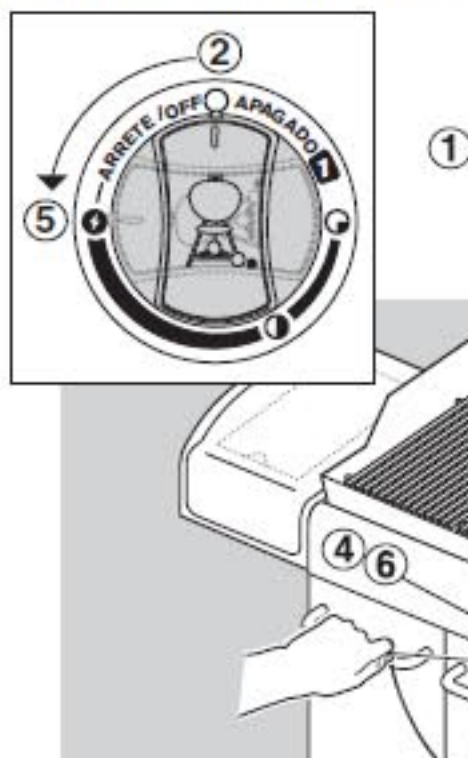
- 1) Open the lid.
- 2) Make sure all burner control knobs are turned OFF. (Push each knob down and turn clockwise to ensure they are in the OFF position.)
- 3) Turn the gas supply valve on.
- 4) Insert match holder with lit match into the matchlight hole in the front of the cooking box.

**⚠ WARNING: Do not lean over open barbecue. Keep your face and body at least one foot away from the matchlight hole when lighting the barbecue.**

- 5) Push BURNER 1 control knob down and turn to START/HI.
- 6) Check that the burner is lit by looking through the matchlight hole on the front of the cooking box. You should see a flame.

**⚠ WARNING: If the burner does not light in five seconds, turn**

## MAIN BURNER MANUAL LIGHTING



## TROUBLESHOOTING

PROBLEM	CHECK	
Burners burn with a yellow or orange flame, in conjunction with the smell of gas.	Inspect Spider / Insect Screens for possible obstructions. (Blockage of holes.)	Clean Spider Maintenance
Burner does not light, or flame is low in "HI" position.	Is fuel hose bent or kinked?	Straighten fuel
	Does the burner light with a match?	If you can light Crossover®
Experiencing flare-ups:  <b>⚠ CAUTION: Do not line the bottom tray with aluminum foil.</b>	Are you preheating barbecue in the prescribed manner?	All burners
	Are the cooking grates and Flavorizer® bars heavily coated with burned-on grease?	Clean thoroughly
	Is the bottom tray "dirty" and not allowing grease to flow into catch pan?	Clean bottom
Burner flame pattern is erratic. Flame is low when burner is on "HI." Flames do not run the whole length of the burner tube.	Are burners clean?	Clean burner
Inside of lid appears to be "peeling." (Resembles paint peeling.)	The lid is porcelain enamel or stainless steel, not paint. It cannot "peel." What you are seeing is baked on grease that has turned to carbon and is flaking off. <b>THIS IS NOT A DEFECT.</b>	Clean thoroughly
Cabinet doors are not aligned.	Check the adjustment pin on the bottom of each door.	Loosen adjustment

If problems cannot be corrected by using these methods, please contact the Customer Service Representative in your area or visit our website. Log onto [www.weber.com](http://www.weber.com)®.

## SIDEBURNER TROUBLESHOOTING

PROBLEM	CHECK	
Side Burner does not light.	Is gas supply off?	Turn supply
Flame is low in "HI" position	Is the fuel hose bent or kinked?	Straighten fuel
Push button ignition does not work.	Does burner light with a match?	If match light

If problems cannot be corrected by using these methods, please contact the Customer Service Representative in your area or visit our website. Log onto [www.weber.com](http://www.weber.com)®.

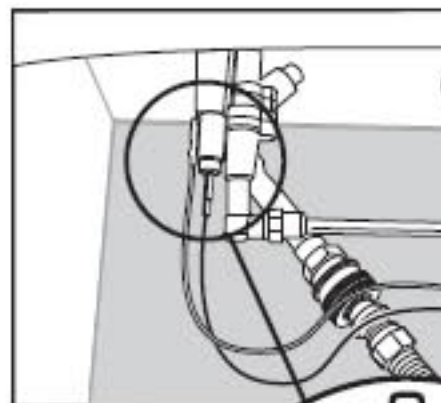
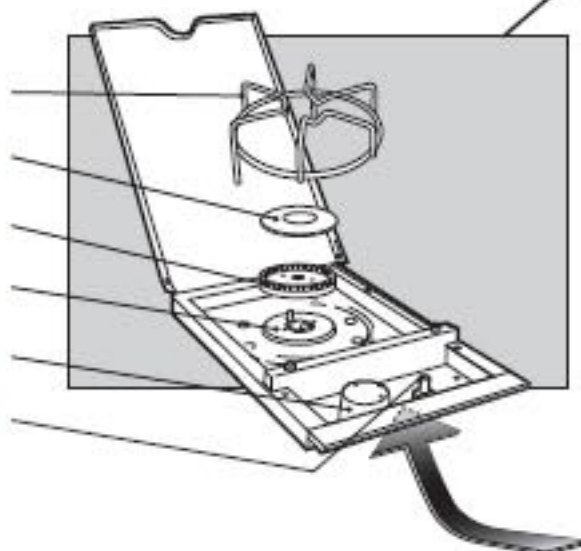
## SIDE BURNER MAINTENANCE

**⚠ WARNING: All gas controls and supply valves should be in the "OFF" position.**

Make sure black wire is connected between the igniter and electrode.  
Make sure white wire is connected between the igniter and grounding clip.  
Spark should be a white/blue color, not yellow.

- 1) Igniter Wire
- 2) Ground wire
- 3) Burner

Side Burner Grate  
Side Burner cap  
Side Burner Ring & Head  
Igniter Electrode  
Control Knob  
Igniter



\* The grill illustrates differences th

## WEBER® SPIDER/INSECT SCREENS

Your Weber® gas barbecue, as well as any outdoor gas appliance, is a target for spiders and other insects. They can nest in the venturi section (1) of the burner tubes. This blocks the normal gas flow, and can cause the gas to flow back out of the combustion air opening. This could result in a fire in and around the combustion air openings, under the control panel, causing serious damage to your barbecue.

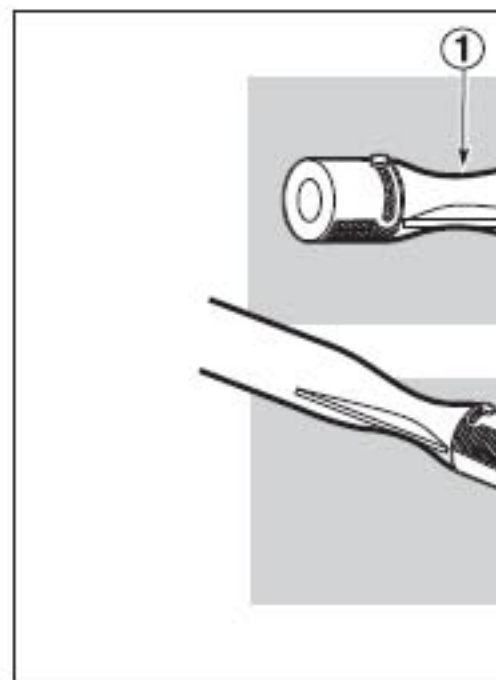
The burner tube combustion air opening is fitted with a stainless steel screen (2) to prevent spiders and other insects access to the burner tubes through the combustion air openings.

We recommend that you inspect the Spider/Insect screens at least once a year. (See Section "Annual Maintenance".) Also inspect and clean the the Spider/Insect screens if any of the following symptoms should ever occur:

- 1) The smell of gas in conjunction with the burner flames appearing yellow and lazy.
- 2) Barbecue does not reach temperature.
- 3) Barbecue heats unevenly.
- 4) One or more of the burners do not ignite.

**⚠ DANGER**

Failure to correct the above mentioned symptoms may result in a fire, which can cause serious bodily injury or death, and cause damage to property.

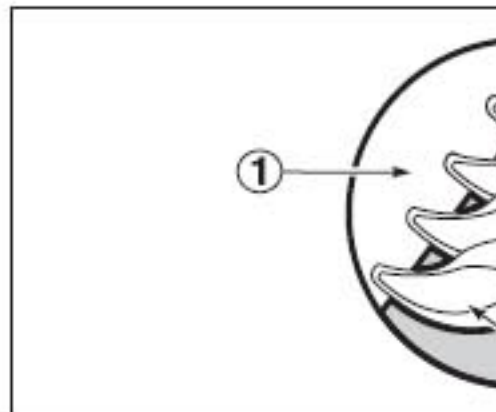


## BURNER FLAME PATTERN

The Weber® gas barbecue burners have been factory set for the correct air and gas mixture. The correct flame pattern is shown.

- 1) Burner tube
- 2) Tips occasionally flicker yellow
- 3) Light blue
- 4) Dark blue

If the flames do not appear to be uniform throughout the burner tube, follow the burner cleaning procedures.



## MAIN BURNER CLEANING PROCEDURE

**Turn off the gas supply.**

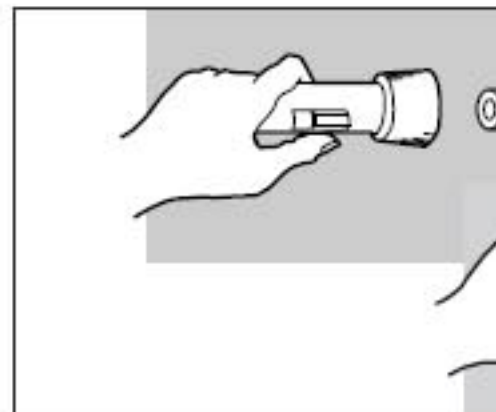
Remove the manifold (See "Replacing Main Burners").

Look inside each burner with a flashlight.

Clean the inside of the burners with a wire (a straightened-out coat hanger will work).

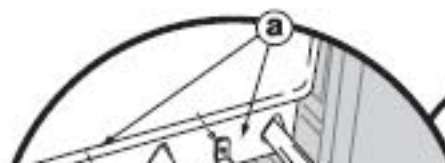
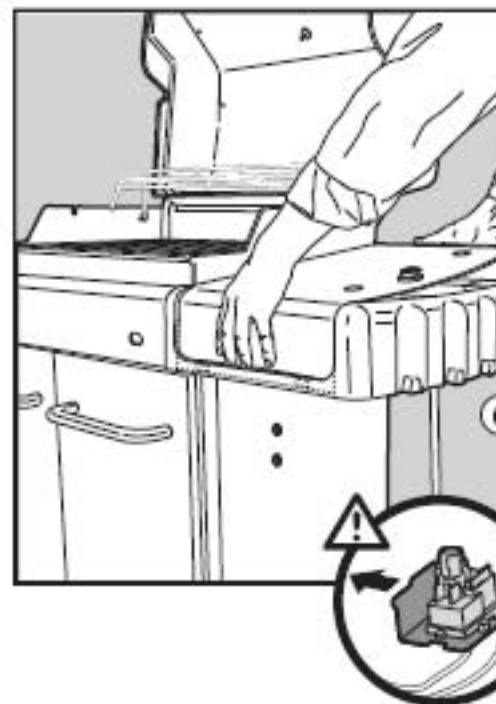
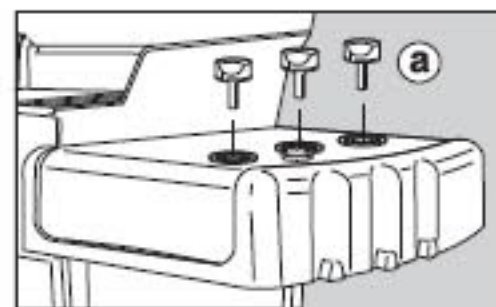
Check and clean the air shutter opening at the ends of the burners. Check and clean the valve orifices at the base of the valves. Use a Steel bristle brush to clean outside of burners. This is to make sure all the burner ports are fully open.

**⚠ CAUTION: Do not enlarge the burner ports when cleaning.**



## REPLACING MAIN BURNERS

- 1) Your Weber® gas barbecue must be OFF and cool.
- 2) Turn gas OFF at source.
- 3) To remove control panel:
  - (a) Take off the burner control knobs.
  - (b) Remove screw and washer from back of control panel with a Phillips screwdriver.
  - (c) Tilt the back edge of the control panel up. Push in on the front edge to release locking tabs.
  - (d) Disconnect the igniter wires from the ignition module.
  - (e) Carefully pull control panel away from frame.

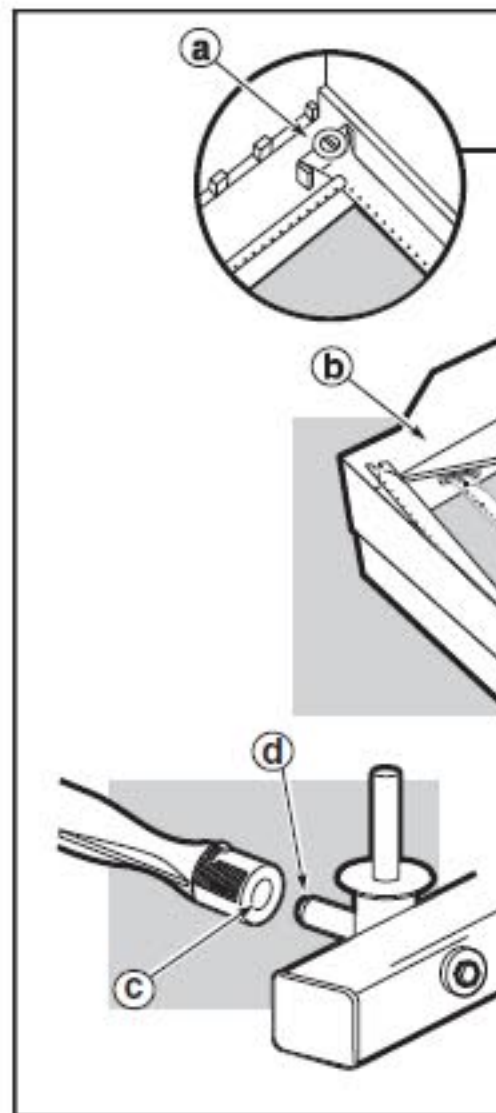


- 5) Slide the burner assembly out from under the guide screw and washer (a) in the corners of the cooking box.
- 6) Lift and twist the burner assembly slightly, to separate the crossover tube (b) from the burners. Remove the burners from the cooking box.
- 7) To reinstall the burners, reverse 3) through 7).

**⚠ CAUTION: The burner openings (c) must be positioned properly over the valve orifices (d).**

Check proper assembly before fastening manifold in place.

**⚠ WARNING: After reinstalling the gas lines, they should be leak checked with a soap and water solution before using the barbecue. (See Step: "Check for gas leaks.")**



## CROSSOVER® IGNITION SYSTEM OPERATIONS

If The Crossover® Ignition System fails to ignite the BURNER 1, light BURNER 1 with a match. If BURNER 1 lights with a match, then check the Electronic Ignition System.

- Check that both of the ignition wires are attached at the igniter module properly.
- Check that the ignition wire is attached at the ceramic igniter properly.
- Check that the ceramic igniter assembly (A) is fully positioned into burner tube 1 igniter channel (B).
- Check that the ceramic igniter is properly positioned over the burner holes on BURNER 1.
- Check that the Electronic Ignition Button is working by listening and looking for sparks at BURNER 1.

## REPLACE BATTERY IF NECESSARY

AAA alkaline battery only. See illustration:

If the Electronic Ignition System still fails to light, contact the Customer Service Representative in your area using the contact information on our web site. Log onto [www.weber.com](http://www.weber.com).

