



ITEM # 271567

4-Burner LP Gas Grill

WARNING
Improper installation, adjustment, alteration, service or maintenance can cause injury or property damage. Read the installation, operation and maintenance instructions thoroughly before installing or servicing this equipment.

DANGER
Failure to follow these instructions could result in fire or explosion that could cause property damage, personal injury or death.

DANGER
DO NOT use gas grill for indoor cooking or heating. TOXIC fumes can accumulate and cause asphyxiation. DO NOT use in or on boats or recreational vehicles.

PROP 65 WARNING
Chemicals known to the state of California to cause cancer, birth defects or other reproductive harm are created by the combustion of propane.

 **WARNING**
FOR YOUR SAFETY :

For Outdoor Use Only
(outside any enclosure)



SAVE THESE INSTRUCTIONS FOR FUTURE REFERENCE. IF YOU ARE ASSEMBLING THIS UNIT FOR SOMEONE ELSE, GIVE THIS MANUAL TO HIM OR HER TO SAVE FOR FUTURE REFERENCE.
FOR CUSTOMER SERVICE, EMAIL TO SERVICE@BBQTEK.COM OR CALL 1-877-885-8227 (TOLL-FREE), 7:00 A.M. – 4:00 P.M.(PST), MONDAY-FRIDAY.



Grill Operation 1-2-3

Before Grilling

- Step 1 Keep your grill a safe distance away from your property.*
- Step 2 Always perform a Leak Test on all connections and hoses. *
- Step 3 Keep children away from the grill.

During Grilling

(To avoid tripping safety valves, please follow these instructions carefully!)

- Step 1 First open lid and turn gas tank on slowly.
- Step 2 Turn only one knob on at a time when lighting up the grill.
- Step 3 Use protective gloves when grill gets hot.

After Grilling

- Step 1 Always burn grill for 10-15 minutes to burn off food residues after use.
- Step 2 Wait until the grill is completely cooled before closing lid.
- Step 3 Clean up grease build-up to avoid grease fire and cover your grill to prevent rust.

* Please refer to the owner's manual for details.



WARNING

1. Do not store or use gasoline or other flammable liquids or vapor in the vicinity of this or any other appliance.
2. An LP cylinder not connected for use shall not be stored in the vicinity of this or any other appliance.



DANGER

If you smell gas:

1. Shut off gas to the appliance.
2. Extinguish any open flame.
3. Open lid.
4. If odor continues, keep away from the appliance and immediately call your gas supplier or your fire department.

Always read and understand the **WARNINGS** and **INSTRUCTIONS** that are contained in this manual before attempting to use this gas barbecue grill to prevent possible bodily injury or property damage.

Always keep this manual for convenient future reference.

Table of Contents

For Your Safety.....3

Illustrated Parts List5

Hardware List.....6

Assembly Instructions.....7

Operating Your Grill.....13

Connecting Gas Cylinder.....13

Checking for Leaks.....14

Lighting Your Grill.....14

Excess flow safety valve reset procedure.....16

Rotisserie Operating Instruction.....16

Important Safeguards.....18

Care and Maintenance.....19

Troubleshooting.....20

Warranty Program.....22

For Your Safety

Dear Valued Customer,

Congratulations on your new barbecue grill purchase! You've made the right choice. In this manual, you will find assembly instructions, suggestions for grilling and helpful hints, as well as guidelines for the safe operation, proper care and use of your grill. Our expert staff strives to provide you with an easy-to-assemble product. Should you have any questions or problems with this product, please call our customer service department at 1-877-885-8227 7:00 am – 4:00 pm (PST), Monday through Friday.

NOTE: The use and installation of this product must conform to local codes. In the absence of local codes, use the National Fuel Gas Code, ANSI Z223.1/ NFPA54. Reference to Natural Gas and Propane Installation code CSA B149.1 or Propane Storage and Handling code B149.2

IMPORTANT NOTICE: READ ALL INSTRUCTIONS PRIOR TO ASSEMBLY AND USE

Safety First!

Read and understand all warnings and precautions prior to operating your grill.

WARNING

1. This grill is for outside use only. It should not be used in a building, garage or any other enclosed area.
2. The use of alcohol, prescription or non-prescription drugs may impair an individual's ability to properly assemble or safely operate this appliance.
3. Always open the grill lid carefully and slowly as heat and steam trapped within the grill could cause severe burns.
4. Always place your grill on a hard and level surface far away from combustible materials and structures. An asphalt or blacktop surface may not be acceptable for this purpose.
5. Do not leave a lit grill unattended.
6. Keep children and pets away from the grill at all times.
7. This is not a tabletop grill. Do not place this grill on any type of tabletop surface.
8. Do not use the grill in high winds.
9. This grill must be used with propane gas only (propane gas cylinder not included).
10. Do not attempt to attach this grill to the self-contained propane system of a camper, trailer, motor home or house.
11. Do not use charcoal or lighter fluid.
12. Do not use gasoline, kerosene or alcohol for lighting. The LP-gas supply cylinder must be constructed and marked in accordance with the specifications for propane gas cylinders of the U.S. Department of Transportation (DOT) CFR 49.
13. This outdoor gas appliance is not intended to be installed in or on recreation vehicles and/or boats.
14. Do not attempt to move the grill while it is lit.
15. Do not use the grill unless it is **COMPLETELY** assembled and all parts are securely fastened and tightened.
16. Keep combustible items and surfaces at least 24 inches away from the grill at all times. **DO NOT** use this gas grill or any gas product under any overhead enclosure or near any unprotected combustible constructions.
17. Do not use in an explosive atmosphere. Keep grill area clear and free from combustible materials, gasoline and other flammable vapors and liquids.
18. Do not attempt to use or assemble with missing or damaged parts. Contact customer service for replacement part.

CAUTION-Prevention of Burns

1. To avoid burns, do not touch metal parts of the grill until they have completely cooled for at least 45 minutes or unless you are wearing protective gear such as pot holders, protective gloves or mittens.
2. Do not alter the grill in any manner.
3. Clean and inspect the hose before each use. If there is evidence of abrasion, wear, cuts or leaks, the hose must be replaced prior to operation. The replacement hose assembly should be in accordance with the manufacturer's specifications.
4. Move gas hoses as far away as possible from hot surfaces and dripping hot grease.
5. Never keep a filled gas container in a hot car or car trunk. Heat will cause the gas pressure to increase, which could open the relief valve and allow gas to escape.

Safe Locations For Use Of This Outdoor Grill

DANGER

Never use this outdoor grill inside any building, garage, shed or breezeway, or inside any boat, trailer or recreational vehicle to prevent a possible fire and to prevent the possibility of carbon monoxide poisoning or asphyxiation.

WARNINGS

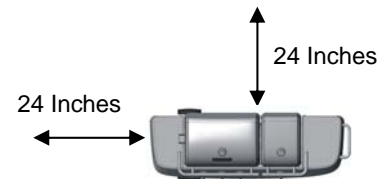
Do not use this appliance under overhead combustible surface or covered area (e.g., awnings, umbrellas, porches or gazebos).

Always confirm that this grill is not positioned under the overhang of a house, a garage or other structure before lighting it. An overhang will serve to deflect flare-ups and radiated heat into the structure itself, which could result in a fire.

Always confirm that this grill is positioned more than 24 inches (61 cm) away from any combustible materials or surface before lighting it, and that no gasoline or other volatile substances are stored in the vicinity of this grill.

(See diagram to right). The temperature of a grease fire or of the radiated heat might otherwise be sufficient to ignite nearby combustible or volatile substances. Always locate this grill where there will be ample combustion and ventilation air, but never position it in the direct path of a strong wind.

Never allow the grill to operate while unattended to prevent uncontrolled grease fires from erupting.



Never attempt to move this grill while it is in operation or while it is still hot to prevent possible personal injury.

Never store or use gasoline or other flammable or volatile substances in the vicinity of this grill or in the vicinity of any other heat-generating appliance because of the danger of starting a fire.

Always confirm that the installation of this grill conforms with the requirements of all local codes or, in the absence of applicable local codes, with either the National Fuel Gas Code, ANSI Z223. NFPA 54 or CAN/CGA-B149.2.

DANGER – Gas Safety

Liquid propane (LP) gas is flammable and hazardous if handled improperly. Become aware of its characteristics before using any propane product.

- Propane Characteristics: Flammable, explosive under pressure, heavier than air and settles in pools in low areas.
- In its natural state, propane has no odor. For your safety, an odorant has been added.
- Contact with propane could cause freeze burns to the skin.
- This grill is shipped from the factory for propane gas use only.
- Never use a propane cylinder with a damaged body, valve, collar or footing.
- Dented or rusted propane cylinders may be hazardous and should be checked by your propane gas supplier.

CAUTION

- It is essential to keep the grill's valve compartment, burners and circulating air passages clean.
- Inspect the grill before each use.

Step 1. Inspect all hoses and connections and make certain they are secure.

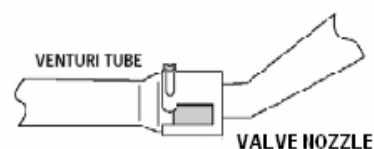
Step 2. Check and clean the burner venturi tubes for insects and insect nests by removing the burner and inserting a bottle brush cleaner into each tube to make sure the passage is clear.

*** A clogged tube can lead to a fire beneath the grill. ***
















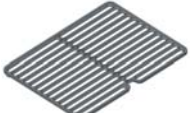






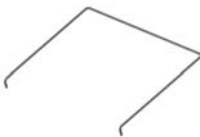






Step 3. Ensure that the valve nozzle is pointing straight and completely inserted into the venturi tube.

GENERAL INFORMATION








1. A propane gas cylinder is required for operation.
2. This gas grill is NOT intended for commercial use.



Illustrated Parts List

AA. Left side panel..... 1pc 	BB. Right side panel.....1pc 	CC. Wheel2pcs 	DD. Axle..... 1pc 
EE. Front Panel..... 1pc 	FF. Back beam.....1pc 	GG. Back post..... 1pc 	HH. Back post support.....1pc 
II. Hub cap.2pcs 	JJ. Heat insulating plate.....1pc 	KK. Body assembly.....1pc 	LL. Right side shelf.....1pc 
MM. Left side shelf..... 1pc 	NN. Right heat plate.....1pc 	OO. Left heat plate.....3pcs 	PP. Cooking grid.....2pcs 
QQ. Cooking grate.....1pc 	RR. Warming rack1pc 	SS. Grease cup support.....1pc 	TT. Left grease cup.....1pc 
UU. Right grease cup.1pc 	VV. Tool hook.....1pc 	VV. Gas tank clip.....1pc 	XX. Rotisserie shaft.....1pc 
YY. Balance block.....1pc 	ZZ. Rotisserie motor.....1pc 	AAA. Roller.....1pc 	BBB. Fork assembly.....2pcs 
CCC. Insulating plate support..1pc 			

Hardware List

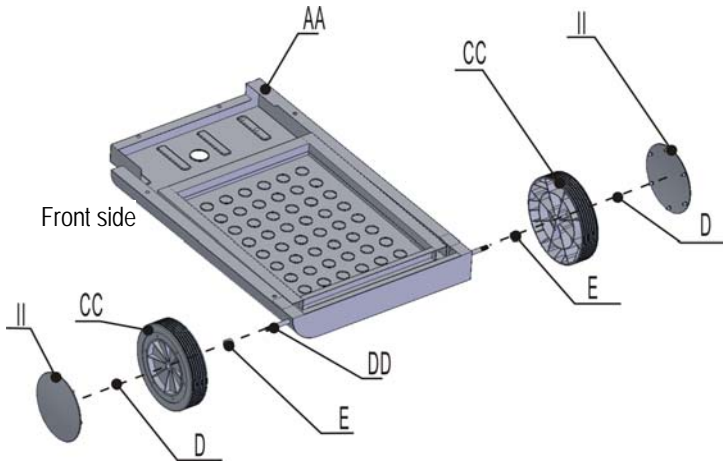
A		M6 Bolts	10pcs	E		Collar	2pcs
B		Spring Washers	6pcs	F		Screw Driver	1pc
C		Flat Washers	6pcs	G		Wrench	2pcs
D		Lock Nut	2pcs				

Hardware listed above is not scaled to exact size.
 (A screwdriver is required on assembly and is included for your convenience).

Assembly Instructions

Remove all contents from the carton packaging. Make sure all parts are present before attempting assembly. Once the grill is fully assembled, go back and check to make certain all the bolts are secure. Tighten again using the screwdriver provided if necessary.

Estimated Assembly Time: 40 minutes.

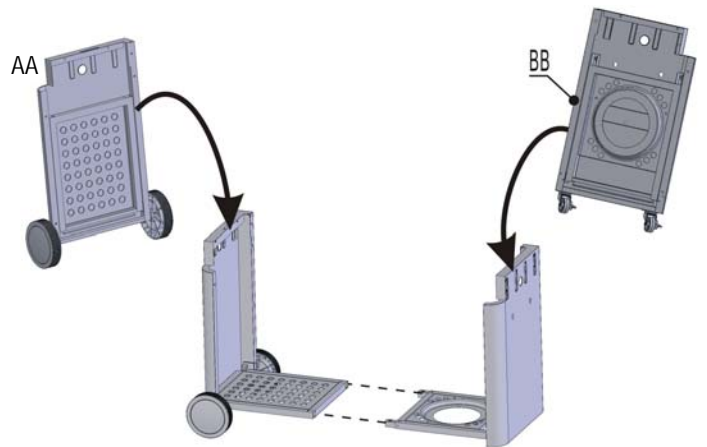


Step 1 (Assemble the wheels with left side panel)

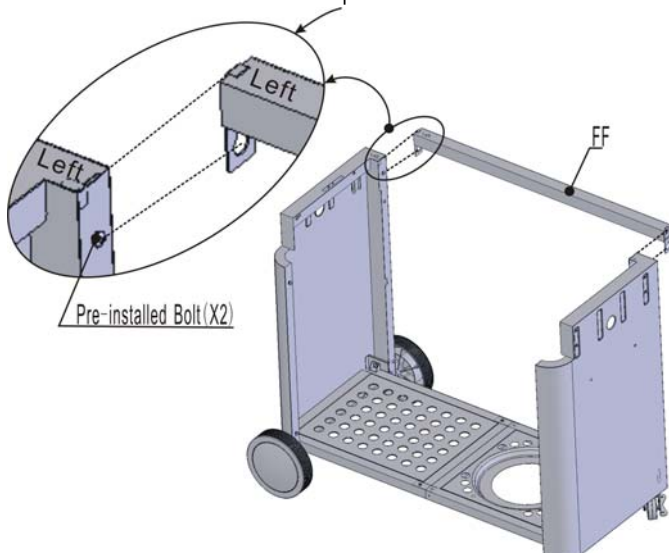
- Insert the axle (DD) through the hole on bottom of left side panel (AA).
- Insert one collar (E), one wheel (CC) and one lock nut (D) on front side of the axle in sequence.
- Tighten the lock nut with the wrench (H) provided.
- Insert one collar (E), one wheel (CC) and one lock nut (D) on back side of axle in sequence.
- Tighten the lock nut with the wrench (G) provided.
- Go back and cover the two wheels (CC) with the two hub caps (II).

Step 2 (Assemble the right side panel with left side panel)

- Open the right side panel (BB) and left side panel (AA).
- Push two side panels together and connect (snap fit).
- Make certain the connections are secure.



Put the two "Left" stickers on the same side when attaching the back beam to left side panel.

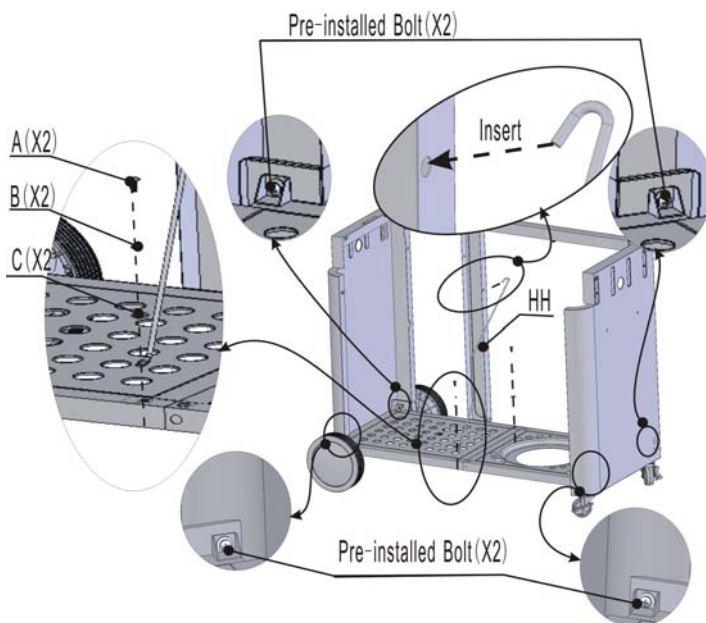
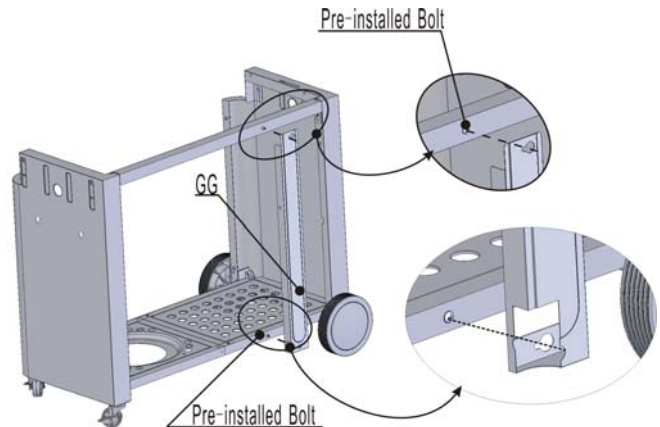


Step 3 (Assemble the back beam)

- Loosen the pre-installed bolt on left side panel.
- Align the small tab on the top and insert the pre-installed bolt into the hole on the left side of the back beam (FF).
- Repeat the procedure for right side of the back beam with the right side panel.
- Go back to tighten all the bolts using the screwdriver provided.

Step 4 (Assemble the back post with back beam)

- Loosen the pre-installed bolt on the top of the back beam.
- Insert the pre-installed bolt into the hole on the top side of the back post (GG).
- Repeat the procedure for the bolt connecting the bottom of the back post to the bottom shelf (pre-installed bolts).
- Go back to tighten all the bolts using the screwdriver provided.

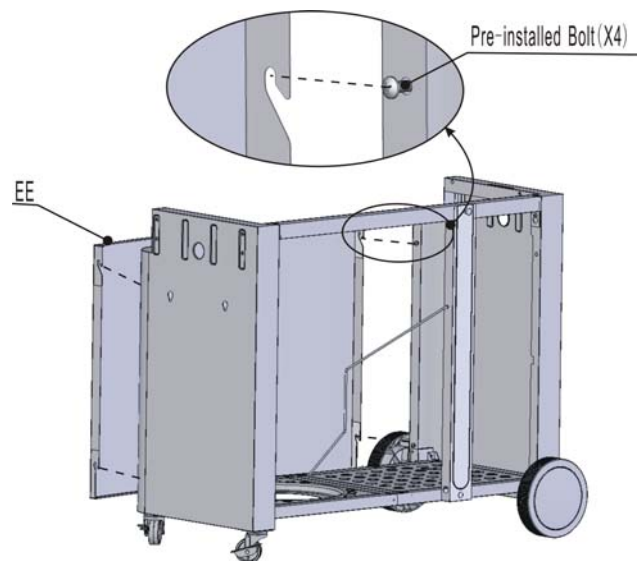


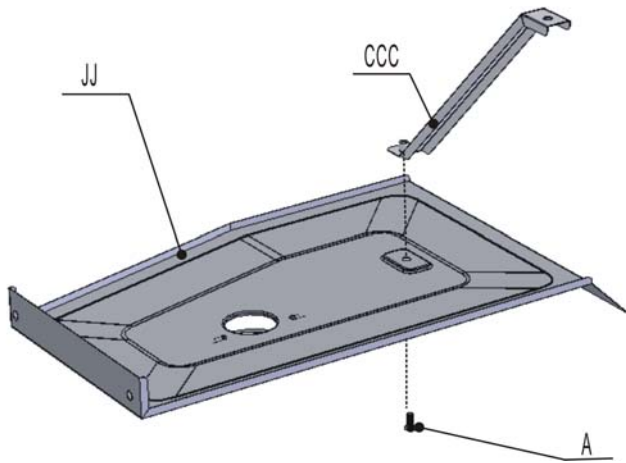
Step 5 (Install the back post support with back post)

- Insert the hook side of the back post support (HH) into the hole on top of back post.
- Align the holes on the bottom of post support with the hole on bottom panel.
- Insert one M6 bolt (A), one spring washer (B) and one flat washer (C) into the pre-drilled hole.
- Go back to tighten all the bolts, **including the pre-installed bolt**, using the screwdriver provided.

Step 6 (Install the front panel)

- Slide the slots of the front panel (EE) over the pre-installed bolts on left side panel.
- Repeat the procedure for the right side of the front panel.
- Go back to tighten all the bolts using the screwdriver provided.



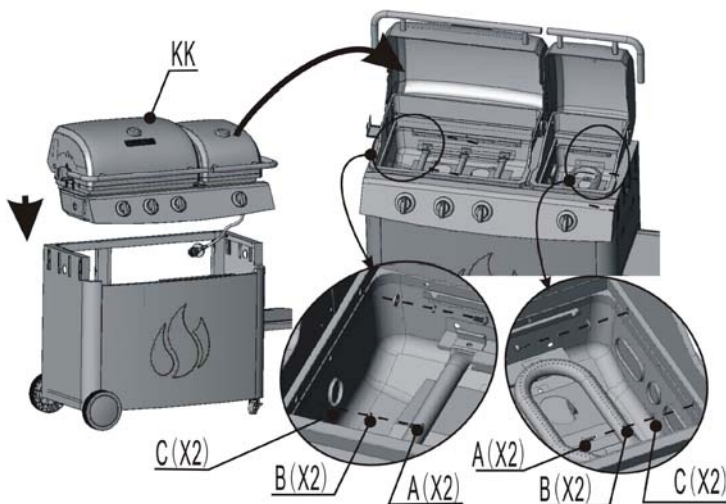
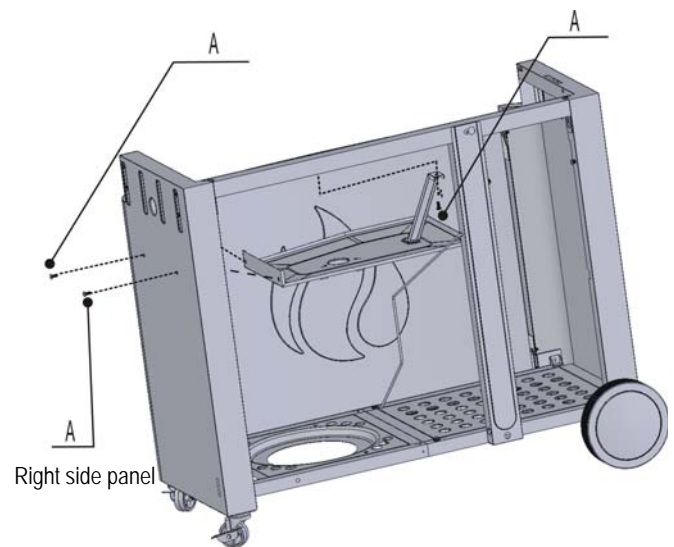


Step 7 (Install the heat insulating plate with insulating plate support)

- Align the hole on the heat insulating plate (JJ) with the hole on the insulating plate support (CCC).
- Insert one M6 bolt (A) into the pre-drilled hole and tighten by the screwdriver provided.

Step 8 (Install the heat insulating plate on the cart)

- Align the hole on the insulating plate support with the hole on the back post.
- Insert one M6 bolt (A) into the pre-drilled hole and tighten by the hand.
- Align the holes on the insulating plate support with the hole on the right side panel.
- Insert one M6 bolt (A) into each pre-drilled hole and tighten by the hand.
- Go back to tighten all the bolts using the screwdriver provided.

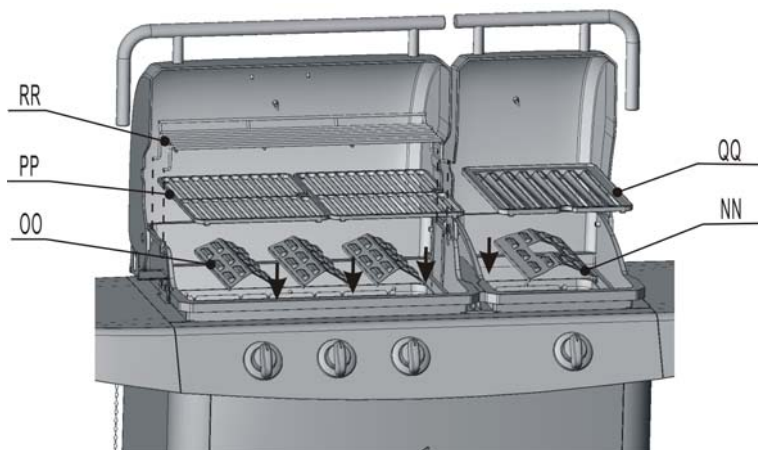
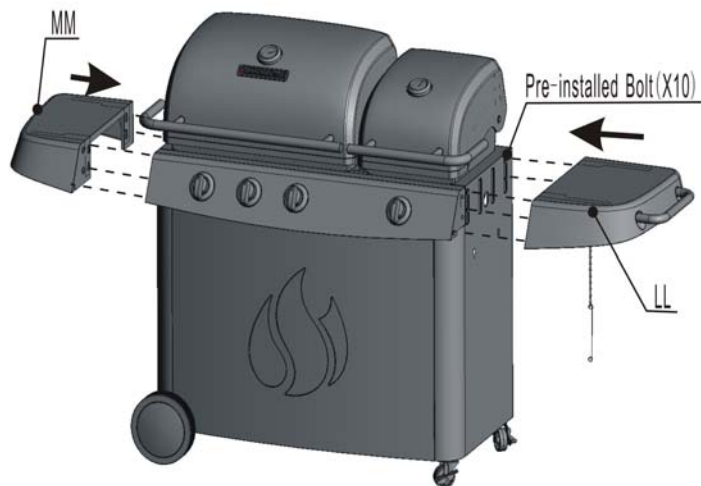


Step 9 (Assemble the body assembly)

- Place the body assembly (KK) on the cart assembly and open the two top lids.
- Align the two holes on right side of body assembly with the two holes on right side of the cart.
- Insert one M6 bolt (A), one spring washer (B) and one flat washer (C) and tighten by hand.
- Repeat the procedure with the left side of the body assembly.
- Go back and tighten all the bolts using the screwdriver provided.

Step 10 (Assemble the right and left side shelf)

- Insert the right side shelf (LL) onto the four pre-installed bolts on the right side of grill body and tighten the bolts by hand.
- Repeat the procedure with the left side shelf (MM).
- Go back to tighten all the bolts using the screwdriver provided.

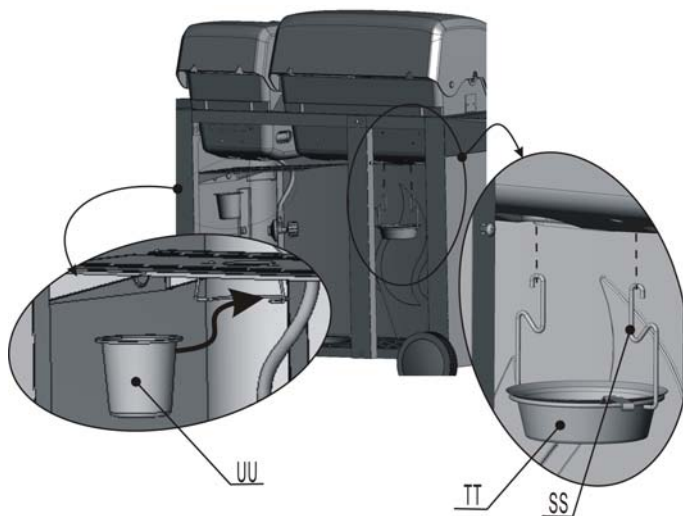


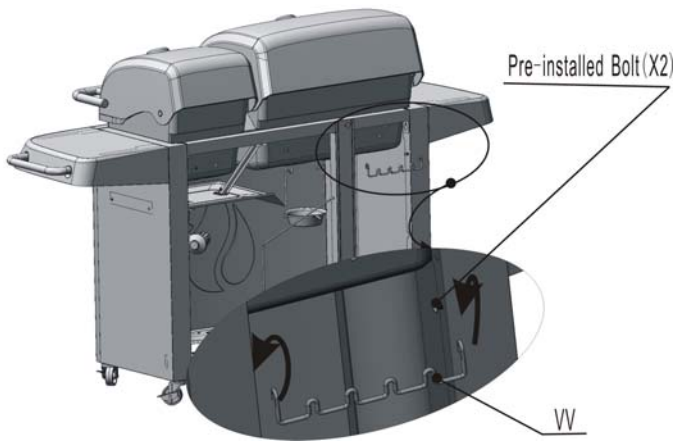
Step 11 (Install the heat plates and cooking grates)

- Place the left heat plates (OO) on left side brackets and put the right heat plate (NN) on the right side bracket.
- Place the cooking grids (PP) upon the left heat plates.
- Install the warming rack (RR) by inserting the four ends through the holes on grill body.
- Put the cooking grate (QQ) upon the right heat plate.

Step 12 (Install the grease cup)

- Place the left grease cup (TT) on the grease cup support (SS) and hook the cup support into the holes on bottom of grill body.
- Place the right grease cup (UU) on the pre-installed cup support on heat insulating plate.



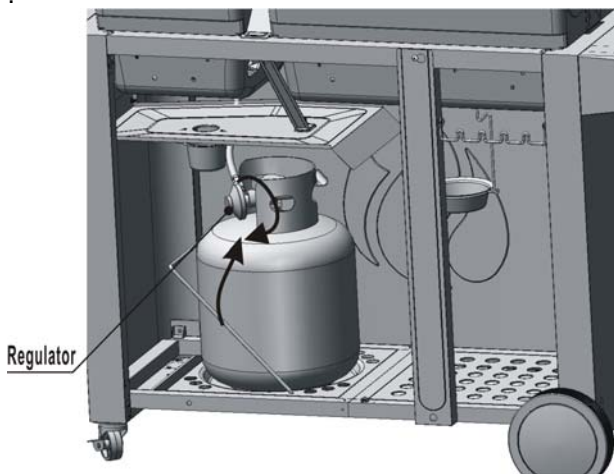
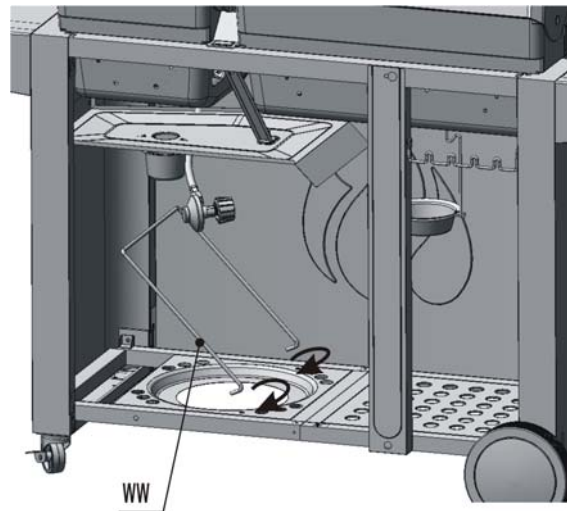


Step 13 (Install the tool hook)

- a) Hang the two ends of the tool hook (VV) on the two pre-installed bolts on back side of left panel and back post.
- b) Tighten the bolts using the screwdriver provided.

Step 14 (Install the gas tank clip)

- a) Insert the two ends of gas tank clip (WW) into the holes on bottom panel.

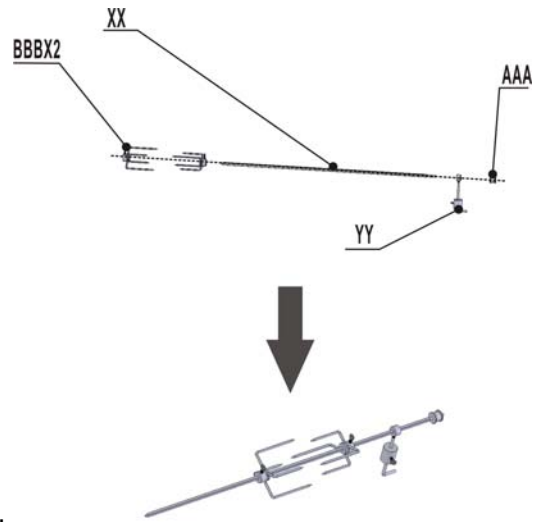


Step 15 (Connect the gas tank)

- a) Connect the gas tank with the regulator by screwing the regulator into the connector on the gas tank and make certain the connection is secure.
- b) Clip the gas tank clip (WW) with gas tank.
- c) Perform the checking leaks test on page 14.

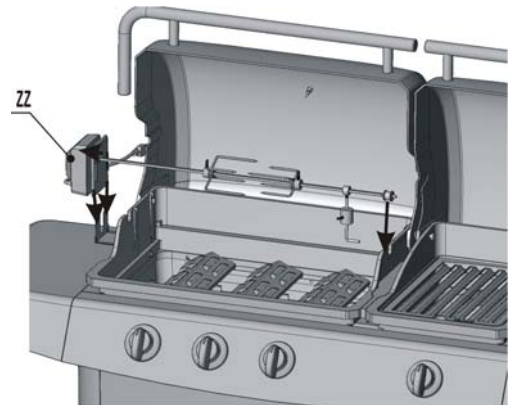
Step 16 OPTIONAL (Assemble the rotisserie accessories)

- a) Slide the two fork assembly (BBB) onto the rotisserie shaft (XX). Make certain the pointy ends of the two forks are facing each other.
- b) Slide the balance block (YY) onto shaft. Lock the balance block on rotisserie shaft by turning the “L” shape shaft on balance block clockwise.
- c) Slide the roller (AAA) onto rotisserie shaft.



Step 17 OPTIONAL (Install the rotisserie kit)

- a) Remove the 3 cooking grids.
- b) Insert the rotisserie motor (ZZ) into the motor support on left side of grill body.
- c) Insert the rotisserie shaft into rotisserie motor.
- d) Make certain the roller on end of rotisserie is put on the wall of grill body.
- e) Adjust the two forks and balance block to the suitable position.



Fully Assembled View

Left Side



Right Side

Operating the Grill

CAUTION:

Use only the regulator provided. If a replacement is necessary, call our customer service center. The use of unauthorized parts can create an unsafe condition and environment.

The propane gas supply cylinder used must be constructed and marked in accordance with the *Specifications for Propane Gas Cylinders* of the U.S. Department of Transportation (DOT). Only cylinders with a listed overfill prevention device (OPD) and marked "propane" may be used. Cylinders with an OPD will have valve handles with three "lobes" (prongs).

The pressure regulator and hose assembly supplied with the outdoor cooking gas appliance must be used. Replacement pressure regulators and hose assembly must be those specified by the outdoor cooking gas appliance manufacturer. Use only 20-pound cylinders equipped with a cylinder connection device compatible with the connection for outdoor cooking appliances. The cylinder must include a collar to protect the cylinder valve. The gas cylinder should not be dropped or handled roughly. If the appliance is not in use, the gas cylinder must be disconnected.

Storage of the appliance indoors is permissible **ONLY** if the cylinder is disconnected and removed from the appliance. Cylinders must be stored outdoors and out of the reach of children. Cylinder must not be stored in a building, garage or other enclosed areas. Your cylinder must never be stored where temperatures can reach over 125°F.

Before connecting, make sure there is no debris caught in the head of the gas cylinder, regulator valve or in the head of the burner and burner ports. Connect regulator valve and hand tighten firmly. Disconnect the propane cylinder from the regulator valve when the grill is not in use. **DO NOT** obstruct the flow of combustion air or ventilation air to the grill. The propane cylinder must be arranged for vapor withdrawal and equipped with a listed overfill prevention device (OPD).

Danger: A fire causing death or serious injury may occur if the following is not followed exactly:

Never store or use gasoline or other volatile substances in the vicinity of this grill.

Never store a spare propane cylinder in the vicinity of this grill, or in the vicinity of another potential heat source.

Never fill the propane cylinder beyond 80% full.

This grill is designed to connect to a standard 20 lb L.P. cylinder only, please refer to the Step 15 of assembly instructions for the installation.

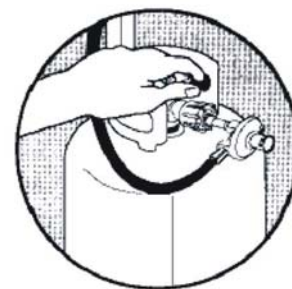
Warning: Don't store spare gas cylinder in or near grill.



Connecting the Gas Cylinder

LP (Propane) Gas Supply Connection

1. Always place the propane cylinder on the tank brackets located on the right side of the cart.
2. Always confirm that all burner control knobs are in the OFF position before activating the gas supply.
3. Before connection, be sure that there is no debris caught in the head of the gas cylinder, head of the regulator valve, or in the head of the burner and burner ports.
4. Always connect the gas supply regulators as follows:
Insert the nipple of the valve coupling into the tank valve and tighten the connection collar by turning it clockwise with one hand while holding the regulator with the other hand.
(See diagram to right.)
5. Disconnect the propane cylinder from the regulator valve when the grill is not in use.
6. Do not obstruct the flow of combustion air and ventilation air to the grill.
7. Keep ventilation openings of the cylinder enclosure free and clear from debris.
8. Place dust cap on cylinder valve outlet whenever the cylinder is not in use. Install only the type of dust cap on cylinder valve outlet that is provided with the cylinder valve. Other types of caps or plugs may result in leakage of propane.



DANGER

To prevent fire or explosion hazard when testing for a leak:

1. Always perform the "leak test" on page 14 before lighting the grill and each time the cylinder is connected for use.

2. Do not smoke or allow other sources of ignition in the area while conducting a leak test.
3. Conduct the leak test outdoors in a well-ventilated area.
4. Do not use matches, lighters or a flame to check for leaks.
5. Do not use grill until all leaks have been stopped. If you are unable to stop a leak, disconnect the propane supply, call for gas appliance service or your local propane gas supplier.

Checking for Leaks

1. Make 2-3 oz. of leak solution by mixing one part liquid dishwashing soap with three parts water.
2. Make sure control knobs are in the "OFF" position.
3. Spray some solution on the tank valve up to the regulator connection.
(See diagram to right.)
4. Inspect the solution at the connections for bubbles. If no bubbles appear, the connection is secure.
5. If bubbles appear, you have a leak. Go to step 6.
6. Disconnect the regulator from the tank and reconnect. Make sure the connection is secured.
7. Retest with solution.
8. If you continue to see bubbles, replace the cylinder.



Lighting Your Grill

! Danger: Failure to open lid while igniting the grill's burners or not waiting five minutes to allow gas to clear if the grill does not light, may result in an explosion, which could cause serious bodily injury or death.

! WARNING: Never stand with your head directly over the grill when preparing to light the main burners, to prevent possible bodily injury.

Main Burner

1. Open lid while lighting burners.

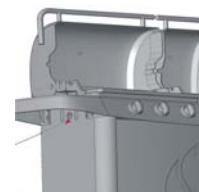
! WARNING: Attempting to light the burner with the lid closed may cause an explosion. Make sure there are no obstructions of airflow to the gas unit. Spiders and insects can nest and clog the burner/venturi tube at the orifice. A clogged burner tube can lead to a fire beneath the appliance.
2. All valves must be in the "OFF" position.
3. Open cylinder valve.
4. Ignite only the burners you wish to use, using the same method for each:
Push desired burner valve knob and rotate slowly about 1/4 counterclockwise until a click is heard. The burner should light. If the burner does not light, return the valve knob to the "OFF" position immediately. Wait five minutes for the gas to clear and repeat the procedure. After burner is lit, repeat the procedure with any other burner desired.
5. Adjust valve knob(s) to desired cooking temperature.

Using the Lighting Stick to Light the Main Burners

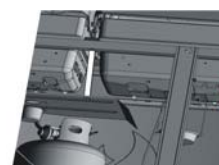
1. Light a match by inserting it into the end of a lighting stick.
2. Once lit, place the flame through the hole under desired burner on grill body to reach the burner ports. (See diagram to right.)
3. Press the valve knob and rotate it counterclockwise to the "HIGH" position. The burner should light immediately. If more than one burner is desired, repeat the procedure 2-3 until all desired burners are lit.
4. Adjust burners to the desired cooking temperature.



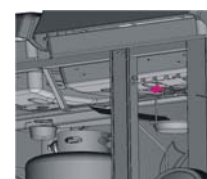
Far Right Side Burner



Far Left Side Burner



Right Side Burner-Left
Fire Box

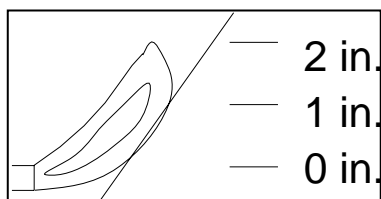


Middle Burner-Left
Fire Box

! Precautions

1. After lighting, observe the burner flame. Make sure all burner ports are lit.
2. If the burner flame goes out during operation, immediately turn the gas "OFF".
Open lid to let the gas clear for at least 5 minutes before re-lighting.
3. Before cooking on the grill for the first time and operate the grill for approximately 15 minutes with the lid closed and the gas turned on "HIGH". This will "heat clean" the internal parts, dissipate odor from the manufacturing process and painted finish.

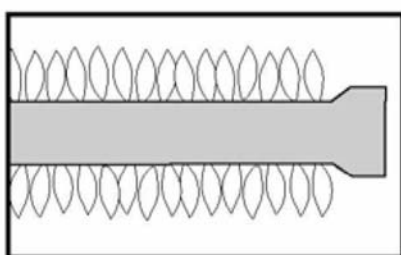
- Clean the grill after each use. DO NOT use abrasive or flammable cleaners. This may damage parts of the grill and cause a fire.



Observe flame height when lit:
Flame should be a blue/yellow color between 1 to 2 inches high.

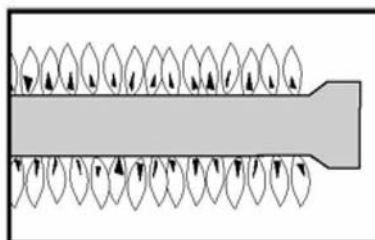
Confirm that the burner is properly lit and that the flame pattern is as desired (see fig. A,B and C below for the proper flame patterns). If the flame pattern is other than normal, consult the *Troubleshooting* on page 20 for corrective action.

FIG. A



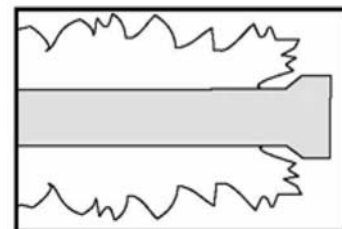
Normal: Soft blue flames with yellow tips between 1 inch - 2 inches high.

FIG. B



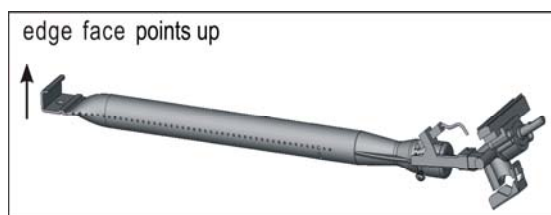
Out of adjustment: Noisy hard blue flames – too much air.

FIG. C

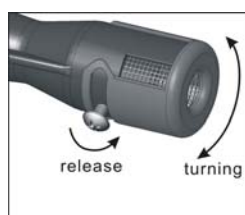


Poor combustion: Wavy, yellow flames- too little air.

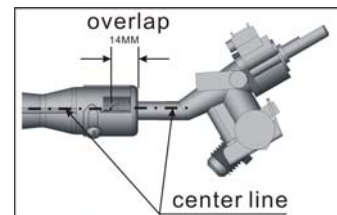
Burner installation and adjustment



- Eng edge face upside for install the burner.



- Release the screw on venturi tube.
- Adjust the flame by turning the collar on head of venturi tube from back side of the grill and do not take apart the venturi tube..
- Tighten the screw and make certain it is secured.



- Overlap 14 mm between venturi tube and nozzle when assembling.
- Keep the center line of venturi tube and nozzle on one line.

WARNING: Adjusting the air-shutter while the grill is on operation. If it is still hot, please wear protective gear and be careful. Failure to follow this instruction could cause personal injury.

Flare-ups

“Flare-ups” sometimes occur when food drippings fall onto the hot heat distribution plate or burners and ignite. Some flaring is normal and desirable as it helps impart the unique flavors associated with grilled foods. Controlling the intensity of the flare-ups is necessary, however, in order to avoid burned or unevenly cooked foods and to prevent the possibility of accidental fire.


 **WARNING: Always monitor the grill closely when cooking and turn the flame level down to LOW or OFF if flare-ups intensify.**

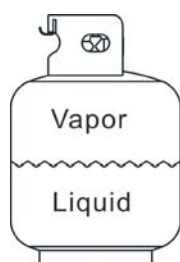
Shutting Off Burners

1. Always turn the valve knob(s) clockwise to the "HIGH" position, and then press and turn it to "OFF". Never force the knob without pressing it. This could damage the valve.
2. Promptly turn the gas supply to the "OFF" position at the propane cylinder.
3. Close the lid of the grill.

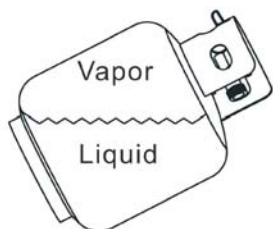
Excess flow safety valve reset procedure

- The new regulators are equipped with a safety device that restricts the gas flow in the event of a gas leak. However, unsafe practices of grill operation could activate the safety device without having a gas leak.
 - A sudden shut off of the gas flow typically occurs if you open the LP tank valve rapidly, or if one or more of the burner control knobs is in an open position when opening the LP tank valve.
 - This procedure is effective with all LP Tank sizes as well as Natural Gas. When performing the procedure on a Natural Gas model, simply substitute "Natural Gas valve" for "LP Tank".
 - To ensure the procedure is safely and successfully performed, please carefully follow these instructions:
 1. Close the LP tank valve.
 2. Turn all burner control knobs to the OFF position.
 3. Disconnect the regulator from the LP tank.
 4. Open the lid of the grill.
 5. Turn burner control knobs to HIGH.
 6. Wait at least 1 minute.
 7. Turn burner control knobs OFF.
 8. Wait for at least 5 minutes.
 9. Re-connect the regulator to the LP tank.
10. Slowly turn the LP tank valve $\frac{1}{4}$ turn at a time and have the valve all the way open.
 11. With the lid open: For grill with ignition button: turn on only ONE front burner control knob to the HIGH position. Ignite the grill by pushing the ignition button. For grill with an automatic ignition: Push down the control knob you want to light, turn counterclockwise until you hear the ignition click.
 12. After the first front burner is lit, turn on the other control knob(s) to the HIGH position. **If you have more than two burners, turn them on only ONE AT A TIME.
 13. When all front burners are lit, close the grill lid.
 14. Wait for 10-15 minutes; the temperature should reach 400 – 450°F

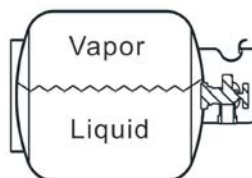
 **WARNING: The cylinder valve always has to be above the horizontal position, for the cylinder to have vapor withdraw only.**



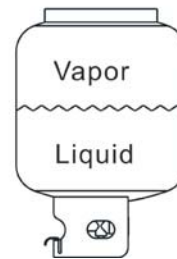
CORRECT



WRONG



WRONG



WRONG

Rotisserie Operating Instruction

IMPORTANT: YOUR GRILL BE EQUIPPED WITH ROTISSERIE BURNERS. THE INSTRUCTIONS BELOW INCLUDE OPERATION FOR GRILLS EQUIPPED WITH A ROTISSERIE BURNER AND INSTRUCTIONS FOR GRILLS NOT EQUIPPED WITH ROTISSERIE BURNERS. BE SURE TO FOLLOW THE INSTRUCTIONS APPROPRIATE FOR YOUR GRILL.



IMPORTANT SAFETY INSTRUCTIONS

CAUTION - TO PROTECT AGAINST SHOCK HAZARD.

CONNECT ONLY TO A PROPERLY GROUNDED OUTLET.

Please read the following safety precautions before using the rotisserie motor.

1. Read all instructions before assembly, installation and use.
2. Do not touch hot surface with bare hands.
3. To protect against electrical shock do not immerse cord, plug, or motor in water or other liquid.
4. Close supervision is necessary when any appliance is used by or near children.
5. Unplug from outlet when not in use and before cleaning. Allow to cool before putting on or taking off parts. Do not clean this product with a water spray or the like.
6. Do not operate any appliance with a damaged cord or plug or after the appliance has been damaged in any manner.
7. The use of other accessory attachments is not recommended by the appliance manufacturer as it may cause injuries.
8. Do not let the electric cord touch hot surfaces or hang over the edge of a table or counter.
9. Do not place on or near a hot gas or electrical burner, or in a heated oven.
10. Caution must be used when assembling the pointed end of a spit rod and the meat forks as the ends are sharp.
11. Always attach plug to appliance first, then plug cord into the wall outlet. If the plug does not fit in the outlet, contact a qualified electrician. DO NOT attempt to modify the plug or override this safety feature.
12. Do not use this appliance other than for the intended use.
13. Fuel, and/or charcoal briquettes, is not to be used with this appliance.
14. Do not expose to rain.
15. To ensure continued protection against risk of electrical shock, connect to properly grounded outlets only.
16. A short power supply cord is provided to reduce the risk of becoming entangled in or tripping over a longer cord.
17. Longer detachable power-supply cords or extension cords may be used if care is exercised in their use.
18. If longer detachable power-supply cords or extension cord is used, the marked electrical rating of the cord set or extension cord should be at least as great as the electrical rating of the appliance and the cord should be arranged so that it will not drape over the countertop or tabletop where it can be pulled on by children or tripped over.
19. To reduce the risk of electrical shock, keep extension cord connection dry and off the ground.
20. Store indoors when not in use - out of the reach of children.
21. Always follow the directions provided with your rotisserie as each unit differs in design and capabilities.
22. Always follow all safety procedures as stated in your rotisserie and grill manual.
23. To avoid injury let the grill cool down before removing the drip pan.

SAVE THESE INSTRUCTIONS

Operation Instructions for Rotisserie use on a grill equipped with rotisserie burners*:

IMPORTANT: If your grill is equipped with a rotisserie burner, only that burner should be used for cooking when the rotisserie is mounted and in operation. The main burners on the grill must be turned to the **off** position when the rotisserie burner is in use.

IMPORTANT: Do not use the rotisserie burner and the main burner at the same time while rotisserie is in use. Do not use side burners when the rotisserie is in use to prevent burns.

1. Slide one of the meat prongs onto the rod (prongs toward the food). Center the food on the rod, followed by the other meat prongs. Then push the meat forks firmly together. Tighten the thumbscrews. It may also be necessary to wrap food with butcher's string, (never use nylon or plastic string) to secure loose portions.
2. Once the food is secure, insert the pointed end of the rotisserie rod into the motor assembly and rest the other end on the support on the right-hand side of the grill.
3. Check for clearance with the cooking grates. The grates can be removed if additional clearance is required. **IMPORTANT:** If grates are removed, make sure food is not touching the burner(s).
4. Place a shallow drip pan underneath the food to catch drippings and make for easier cleanup.
5. Plug the unit into an electrical outlet. Turn the power switch to the "ON" position to start the rotisserie motor. To begin, turn burners onto the lowest setting.
6. Check for constant speed of the rotisserie rod. If the rod does not turn at a constant speed, reposition the food on the forks and adjust the weight so it is balanced on the rod. An unbalanced rotisserie rod will damage the motor.
7. Check food frequently and adjust burner temperature based on observations. This will require some experimentation as each grill has different heating and cooking characteristics.

Operation Instructions for Rotisserie use without a rotisserie burner:

NOTE: Do not attempt to use rotisserie on a two (2) burner grill because of insufficient heat from a single burner and difficulty in balancing the rotisserie rod.

Follow steps as outlined above except do not use the main burners directly below the food on the rotisserie rod. Using these burners will burn the food and may cause dangerous flare ups.

Operation Instructions for Indirect Cooking:

Indirect cooking can be used for many different kinds of foods, especially when the food may contain a lot of fat or have an oil-based marinade that may cause flare ups. Delicate foods that cannot withstand direct heat are also good choices, particularly vegetables. Do not attempt to use indirect cooking methods on a grill with fewer than 2 burners.

1. Place food on the cooking grate or in a wire basket on the grill. The food can either be placed in the center on the grates (using the burners on either side) or the food can be placed on one side of the grill and the burner on the opposite side would be used.
2. Check the food frequently and adjust the temperature based on observations. This will require some experimentation as each grill has different heating and cooking characteristics.

IMPORTANT SAFEGUARDS

When Using The Electrical Appliances, Basic Safety Precautions should Always be followed including the following:

1. Read all instructions carefully.
2. When installation of this motor must be electrically grounded in accordance with local codes or, in the absence of local codes, with the *National Electrical Code, ANSI/NFPA 70*, or the *Canadian Electrical Code, CSA C22.1*.
3. Do not touch hot surface. Use handles or knobs.
4. To protect against electrical shock do not immerse cord, plug, or the motor in water or other liquid.
5. Close supervision is necessary when any appliance is used by or near children.
6. Unplug from outlet when not in use and before cleaning. Allow to cool before putting on or taking off parts. Do not clean this product with a water spray or the like.
7. Do not operate any appliance with a damaged cord or plug or after the appliance malfunctions or has been damaged in any manner. Return appliance to the nearest authorized service facility for examination, repair or adjustment.
8. The use of accessory attachments not recommend by the appliance manufacturer may cause injuries.
9. Do not let cord hang over edge of table or counter, or touch hot surface.
10. Do not place on or near a hot gas or electric burner, or in a heated oven.
11. Extreme caution must be used when moving an appliance containing hot oil or other hot liquids.
12. Always attached plug to appliance first, then plug cord into the wall outlet. To disconnect, turn any control to "off", then remove plug from wall outlet.
13. Do not use appliance for other than intended use.
14. Fuel, such as charcoal briquettes, is not to be used with appliance.
15. To ensure continued protection against risk of electric shock, connect to properly grounded outlets only.
16. A short power supply cord is to be provided to reduce the risk resulting from becoming entangled in or tripping over a long cord.
17. Longer detachable power-supply cord or extension cords may be used if care is exercised in their use.
18. If a longer detachable power-supply cords or extension cords is used, the marked electrical rating of the cord set or extension cord should be at least as great as the electrical rating of the appliance, and the cord should be arranged so that it will not drape over the countertop or tabletop where it can be pulled on by children or tripped unintentionally.
19. Outdoor extension cords should be surface marked with suffix letters "W" and with a tag stating "Suitable for Use with Outdoor Appliances".
20. To reduce the risk of electric shock, keep extension cord connection dry and off the ground.
21. Store products indoors when not in use, out of the reach of children.
22. Use only extension cords with a 3 prong grounding plug, rated for the power of the equipment, and approved for outdoor use with a W-A marking.
23. "Keep any electrical supply cord and the fuel supply hose away from any heated surfaces."
24. Use only a Ground Fault Interrupter (GFI) protected circuit with this grill.
25. Never remove the grounding plug or use with an adapter of 2 prongs;

ROTISSERIE TROUBLESHOOTING


If the rod is not rotating at a constant speed, reposition the meat on the forks and rod to adjust the weight so that it is balanced. You may also balance the rod by adjusting the counterweight.

SAVE THESE INSTRUCTIONS

Care and Maintenance

IMPORTANT

Always allow to completely cool off before covering your grill to prevent corrosion from condensation.

 **Caution:** All cleaning and maintenance should be done when the grill is cool, with the fuel supply turned off at the control dial and the propane cylinder disconnected. DO NOT clean any grill part in a self-cleaning oven. The extreme heat will damage the finish.

Cleaning

Burning off the grill after every use (approx. 15 minutes) will keep excessive food residue from building up. Clean the grill before and after cooking is recommended.

Recommended cleaning materials -

Mild dishwashing liquid detergent	Hot water
Nylon cleaning pad	Wire brush
Paper clip	Putty knife/scrapper
Compressed air	

DO NOT use cleaners that contain acid, mineral spirits or xylene.

Outside surfaces

Use a mild dishwashing detergent and hot water solution to clean. Rinse thoroughly with water.

Inside surface

If the inside surface of the grill lid has the appearance of peeling paint, baked on grease has turned to carbon and is flaking off. Clean thoroughly with a strong solution of detergent and hot water. Rinse with water and allow it to completely dry.

Interior of grill bottom – Remove residue using brush, scraper and/or cleaning pad. Wash with a dishwashing detergent and hot water solution. Rinse with water and let dry.

Cooking Grates – The porcelain grates have a glass-like composition that should be handled with care. Use a mild dishwashing detergent or baking soda and hot water solution. Non-abrasive scouring powder can be used on stubborn stains. Rinse with water.

Heat Plates – Clean residue with wire brush and wash with soapy water. Rinse with water.

Grease Cup – Periodically empty the grease cup and clean with a dishwashing detergent and hot water solution.

Cleaning the Burner Assembly

1. Turn gas off at the control knobs and propane tank.
2. Remove cooking grates and heat plate.
3. Remove grease cup.
4. Remove burner by unscrewing nut from beneath burner “foot” using a screwdriver and pliers.
5. Lift burner up and away from the gas valve orifice.
6. Clean inlet (venturi tube) of burner with small bottle brush or compressed air.
7. Remove all food residue and dirt on outside of burner surface.
8. Clean any clogged ports with a stiff wire (such as an opened paper clip).
9. Inspect burner for damage (cracks or holes). If damage is found, replace with a new burner. Reinstall burner. Make certain the gas valve orifices are correctly positioned, pointing straight into burner inlet (venturi tube). Also, check position of spark electrode.

Troubleshooting

Problem	Possible Cause	Prevention/Cure
Burner will not light using knobs or igniter.	Wires and/or electrode covered with cooking residue.	Clean wire and /or electrode with rubbing alcohol.
	Electrode and burners are wet.	Wipe dry with cloth.
	Electrode cracked or broken – sparks at crack.	Replace electrode.
	Wire loose or disconnected.	Reconnect wire or replace electrode/wire assembly.
Burner will not light using a match.	No gas flow.	Check if propane tank is empty. If empty, replace or refill. If propane tank is not empty, refer to Excessive flow safety valve reset procedure on page 16.
	Coupling nut and regulator not fully connected.	Turn the coupling nut about one-half to three quarters additional turn until solid stop. Tighten by hand ONLY - do not use tools.
	Obstruction of gas flow.	Clear burner tubes. Check for bent or kinked hose.
	Disengagement of burner to valve.	Reengage burner and valve.
	Spider webs or insect nest in venturi.	Clean venturi.
	Burner ports clogged or blocked.	Clean burner ports.
Sudden drop in gas flow or reduced flame height.	Tank out of gas.	Check for gas in propane tank.
	Excess flow safety device may have been activated.	Refer to the Excessive flow safety valve reset procedure on page 16.
Irregular flame pattern, flame does not run the full length of burner.	Burner ports are clogged or blocked.	Clean burner ports.
Flame is yellow or orange.	New burner may have residual manufacturing oils.	Burn grill for 15 minutes with the lid closed.
	Spider webs or insect nest in venturi.	Clean venturi.
	Food residue, grease or seasoning salt on burner.	Clean burner.
	Poor alignment of valve to burner venturi.	Assure burner venturi is properly engaged with valve.

Flame blow out.	High or gusting winds.	Turn front of grill to face wind or increase flame height.
	Low on propane gas.	Replace or refill propane tank.
	Excess flow valve tripped.	Refer to the Excessive flow safety valve reset procedure on page 16.
Flare-up.	Grease buildup.	Clean grill.
	Excessive fat in meat.	Trim fat from meat before grilling.
	Excessive cooking temperature.	Adjust (lower) temperature accordingly.
Persistent grease fire.	Grease trapped by food buildup around burner system.	Turn knobs to OFF. Turn gas OFF at propane tank. Leave lid in closed position and let fire burn out. After grill cools, remove and clean all parts.
Flashback [fire in burner tubes].	Burner and /or burner tubes are locked.	Clean burner and/or burner tube(s).
Inside of lid is peeling – like paint peeling.	The lid is stainless steel, not painted.	Baked on grease buildup has turned to carbon and is flaking off. Clean thoroughly.
Irregular flame.	Air flow is not correct. <u>Correct</u> . Flame blue with yellow tips, 1-2” high. <u>Too little air</u> : wavy yellow or orange flames. <u>Too much air</u> : noisy blue flames.	If flames are yellow or orange – open flap at the end of the venturi tubes in 1/8” increments until flames are correct. If flames are blue and noisy – close flap at the end of the venturi tubes in 1/8” increments until flames are correct. *Propane Models must be open a minimum of 1/8” *Natural Gas Models must be open a minimum of 1/16”

Warranty Program

Proof of purchase is required to access this warranty program, which is in effect from the date of purchase. If unable to provide proof of purchase or after the warranty has expired, customers will be subject to parts, shipping and handling fees.

Full 30-Day Warranty

Any missing parts can be replaced at no charge within 30 days from the date of purchase with a valid proof of purchase.

Limited Warranty

10-Years Limited Warranty on stainless steel tube burners.

1-Year Limited Warranty on all parts in regards to damage affecting the operation of the gas grill.

Warranty Provisions:

- This warranty is non-transferable and does not cover failures due to misuse or improper installation or maintenance.
- This warranty is for replacement of defective parts only. We are not responsible for incidental or consequential damages or labor costs.
- This warranty does not cover chips and scratches of porcelain or painted surfaces, nor does it cover corrosion or discoloration due to misuse, lack of maintenance, hostile environment, accidents, alterations, abuse or neglect.
- This warranty does not cover damage caused by heat, abrasive and chemical cleaners, resulting in chipped porcelain enamel parts or any damage to other components used in the installation or operation of the gas grill.

If unable to provide proof of purchase or after the warranty has expired, customers will be subject to parts, shipping and handling fees.

Some states do not allow the limitation or exclusion of incidental or consequential damages, so the above limitations or exclusions may not apply to you. This warranty gives you specific legal rights, and you may also have other rights that vary from state to state.

If you have any questions related to the product or warranty, please visit our website at www.bbqtek.com or email us to service@bbqtek.com or call our customer service center at 1-877-885-8227, 7:00 A.M. to 4:00 P.M. (PST), Monday through Friday.

Distributed by:

**L G Sourcing, Inc.
P.O. Box 1535
North Wilkesboro, NC 28659 USA**