

Broil King®

REDDI-BILT BARBECUES

ASSEMBLY MANUAL & PARTS LIST

MANUEL DE MONTAGE & LISTE DE PIÈCES

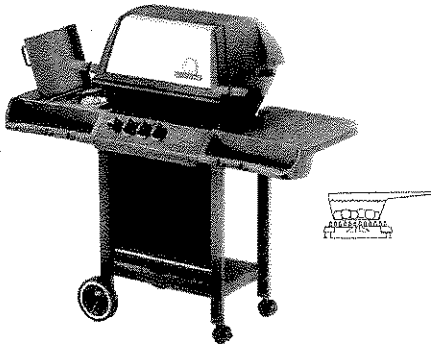
Broil King
MONARCH 10
543-14
543-17



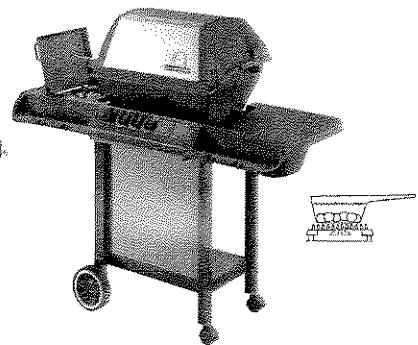
Broil King
MONARCH 20
543-24
543-27



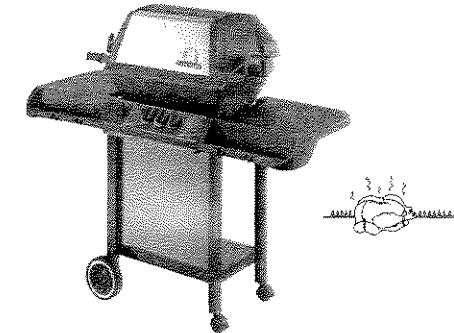
Broil King
MONARCH 30
543-34
543-37



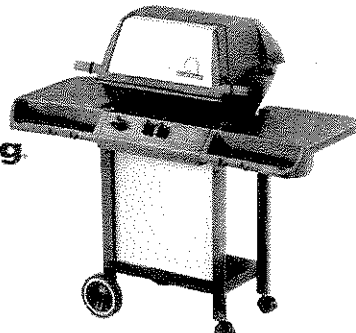
Broil King
MONARCH 40
543-44
543-47



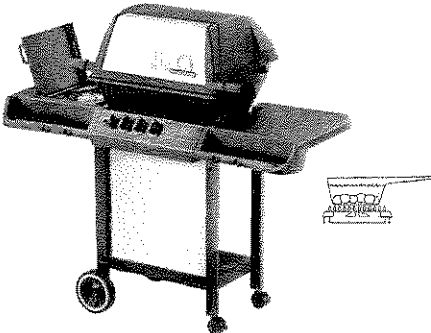
Broil King
MONARCH 70
543-74
543-77



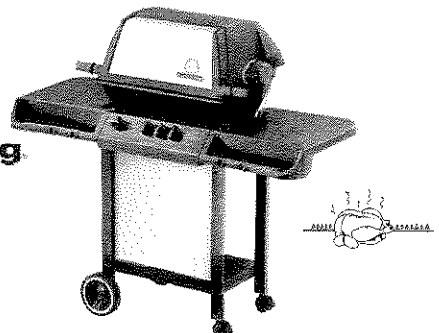
Broil King
CROWN 20
944-24
944-27



Broil King
CROWN 40
944-44
944-47



Broil King
CROWN 70
944-74
944-77



RETAIN FOR FUTURE REFERENCE
ULTÉRIEURE

VEUILLEZ CONSERVER POUR REFERENCE

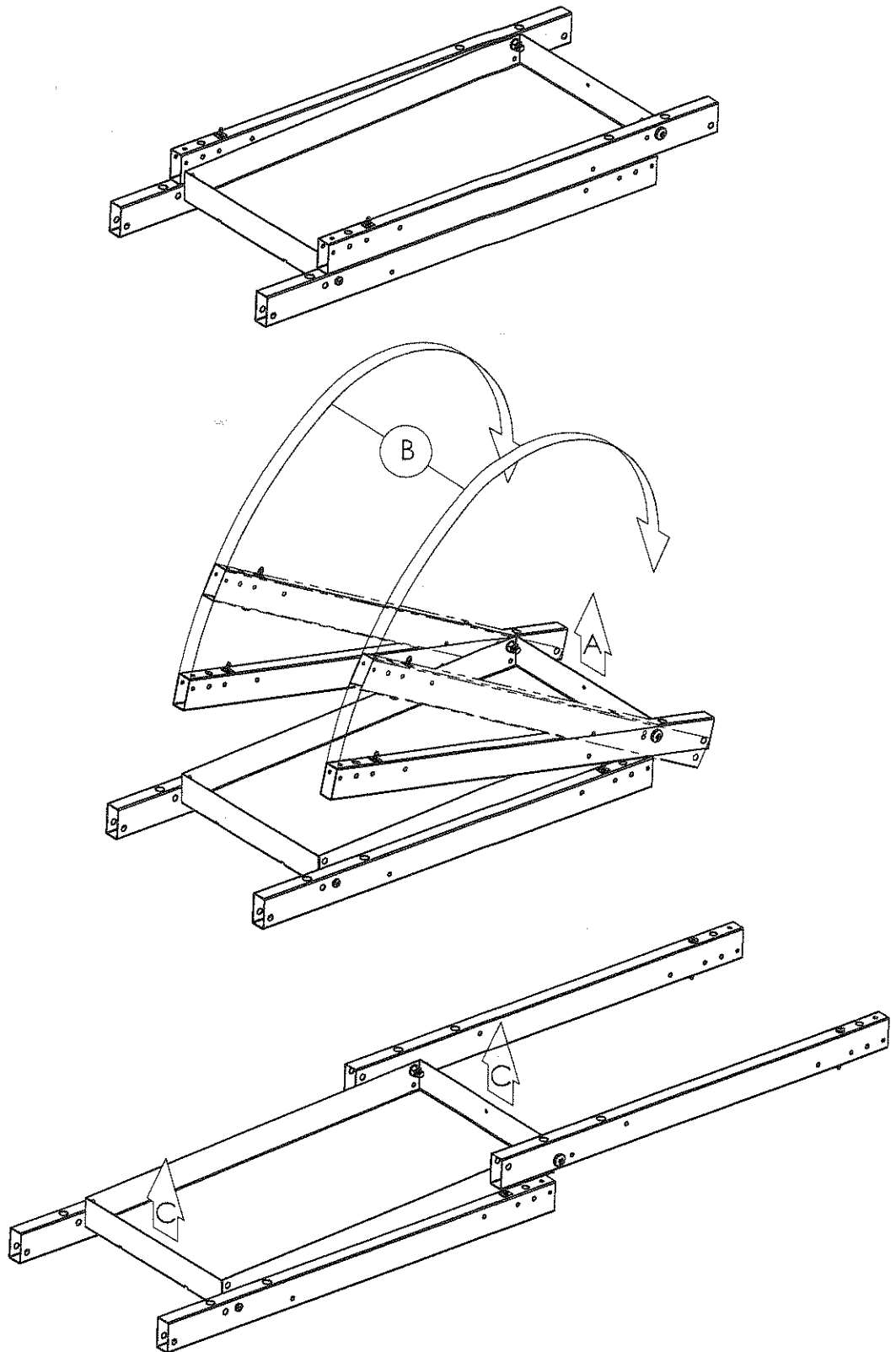
1-800-265-2150

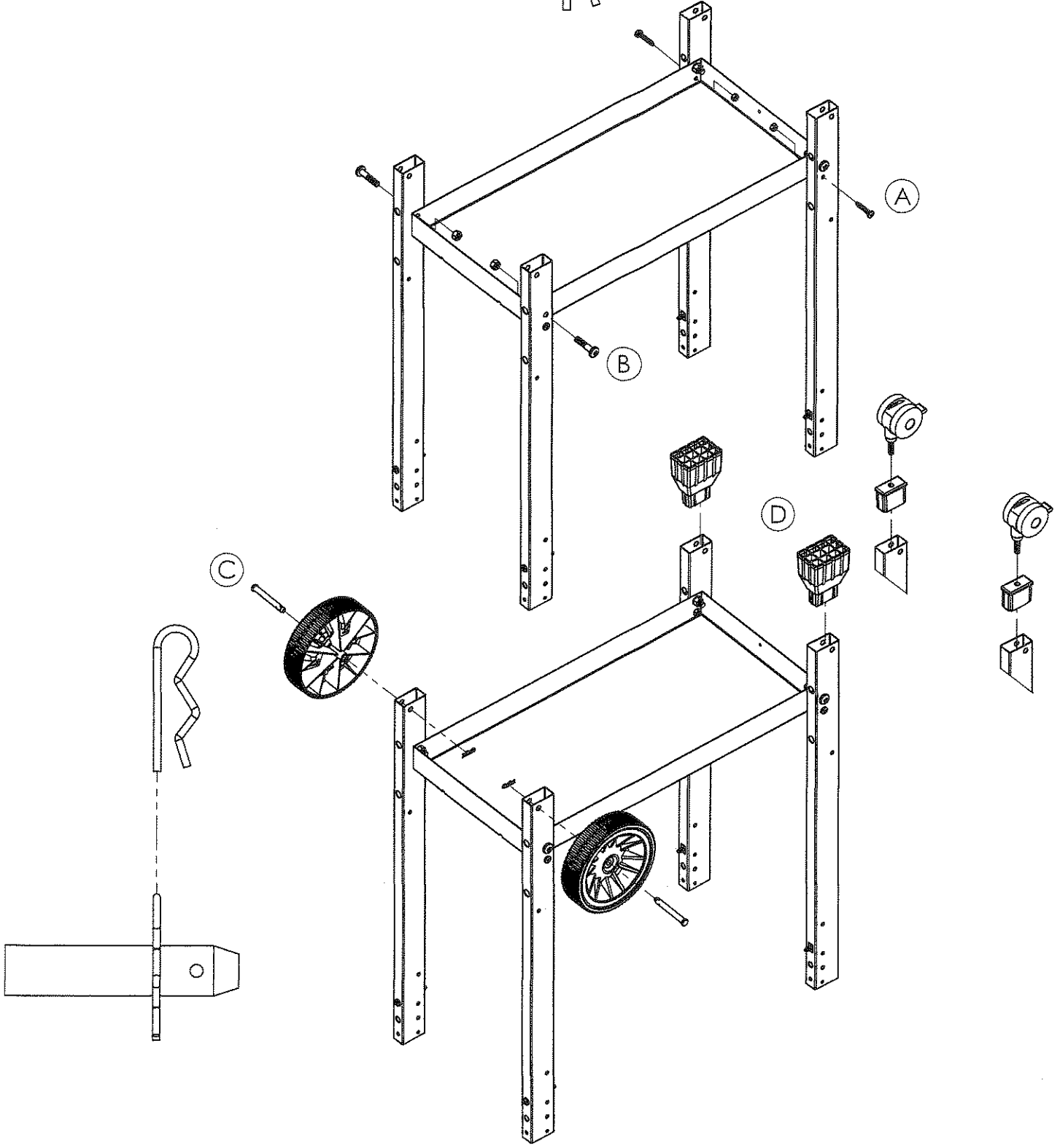
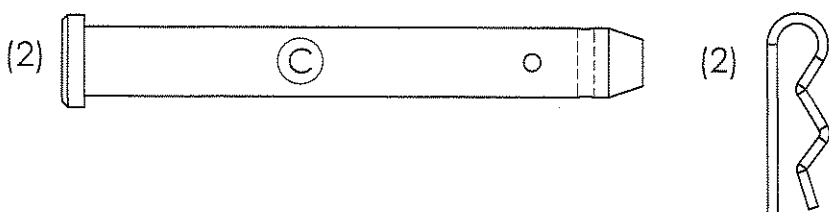
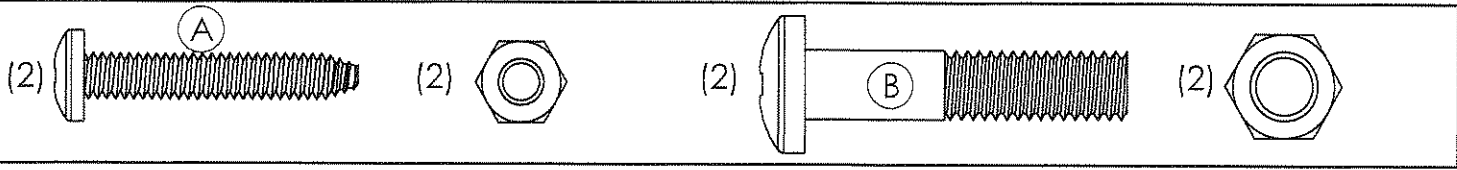
Onward
MANUFACTURING COMPANY
SINCE 1906
585 KUMPF DRIVE
WATERLOO, ONTARIO, CANADA
N2V 1K3
LIMITED

info@omcbbq.com

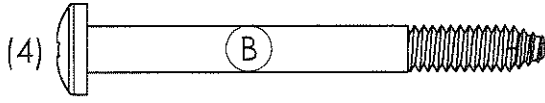
10084-T43 REV F 11/05

1

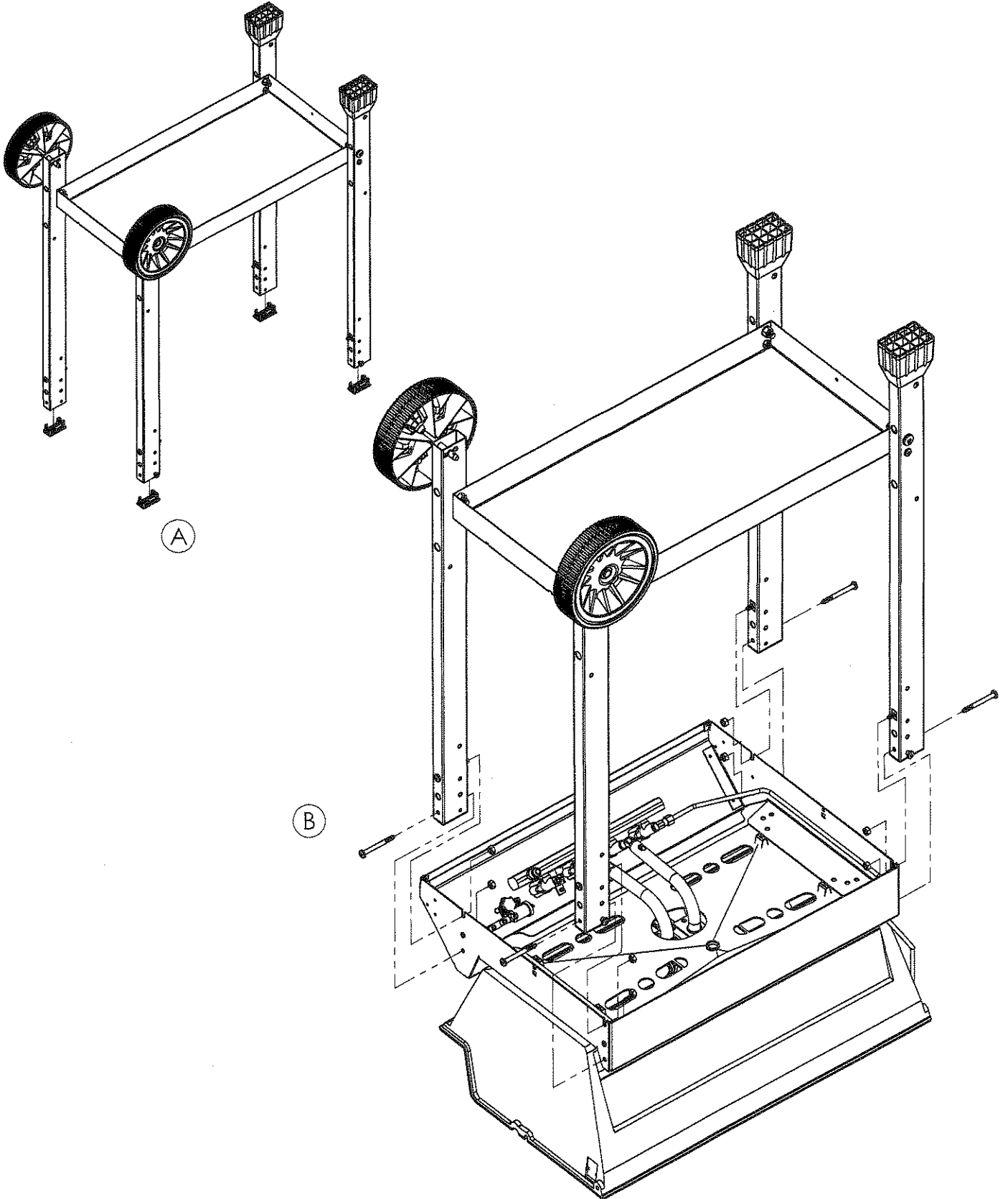
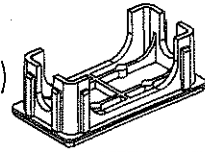


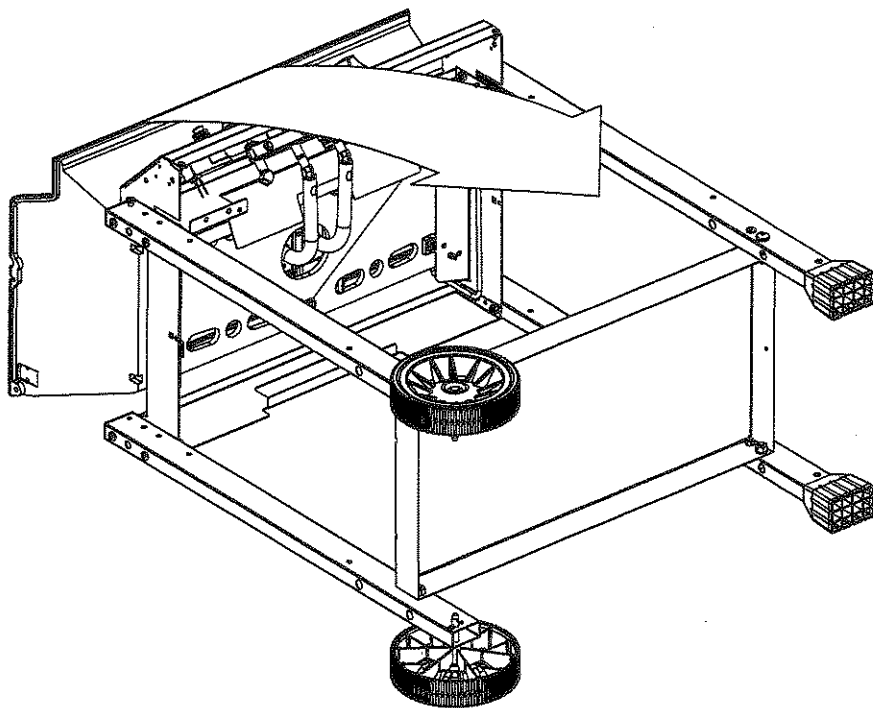
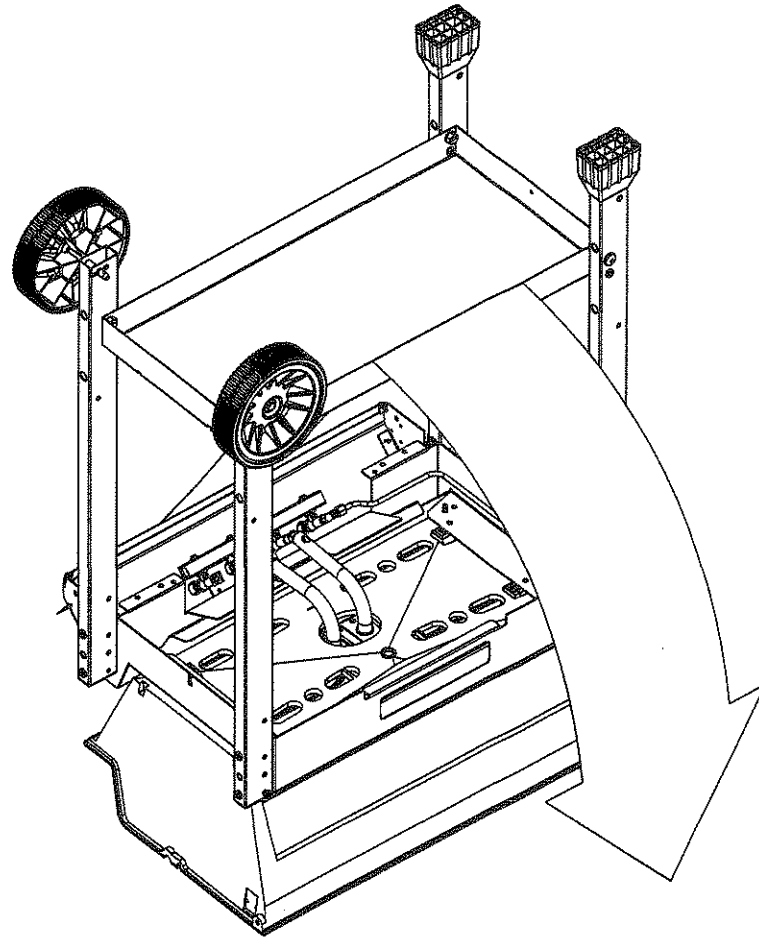




2

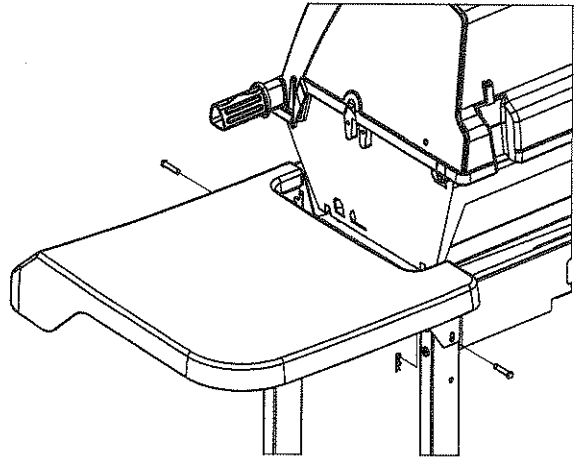
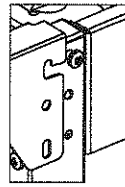
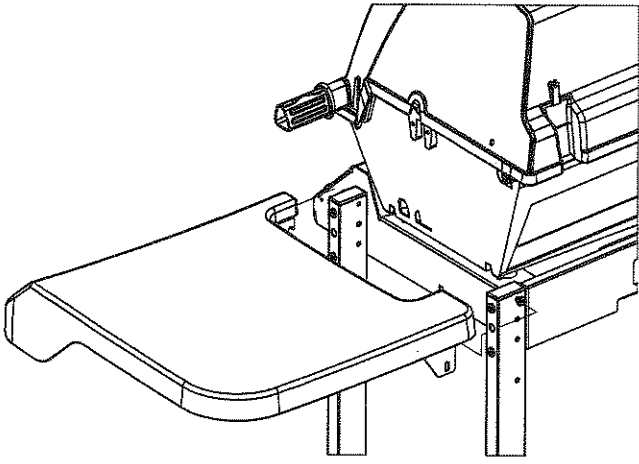


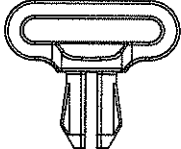
(4)

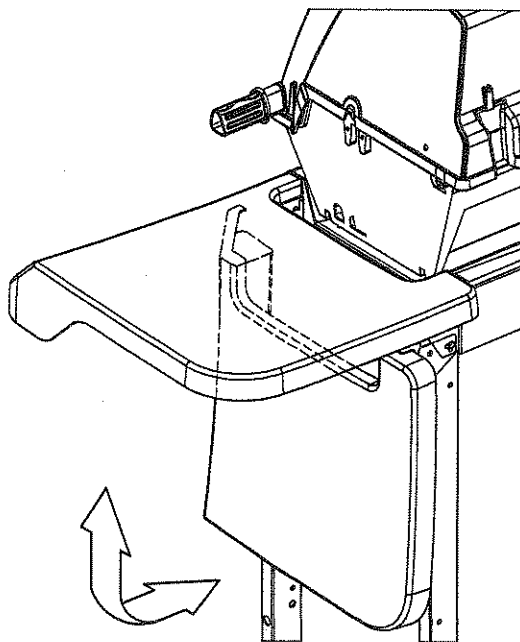
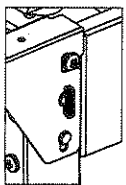
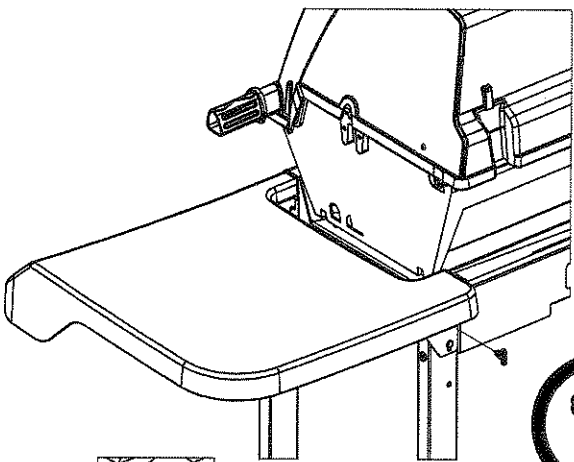


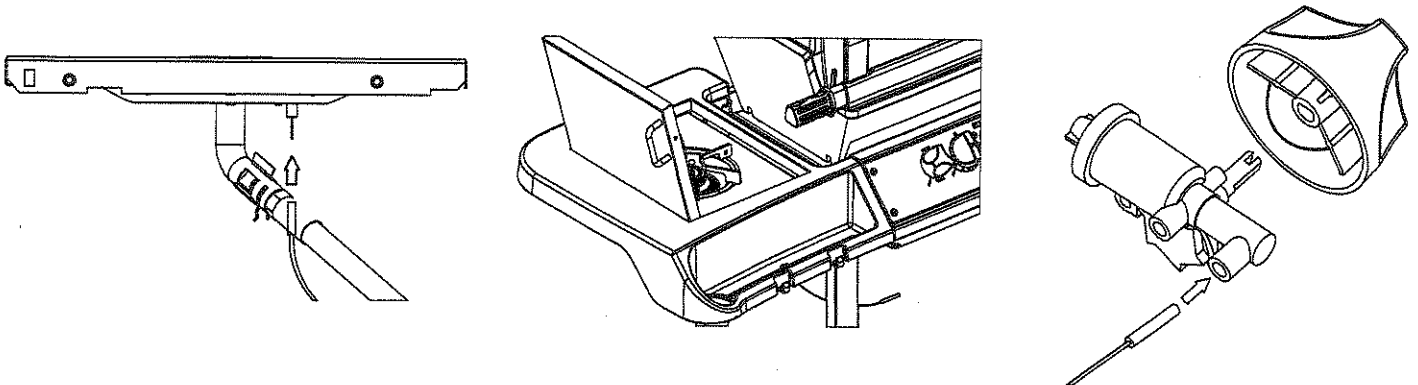
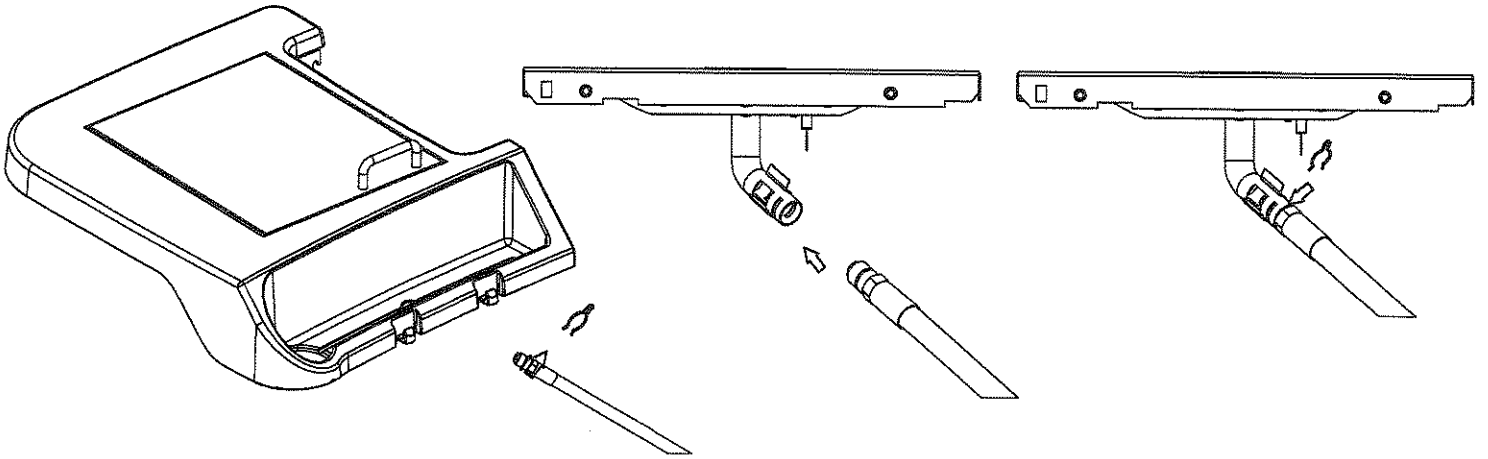
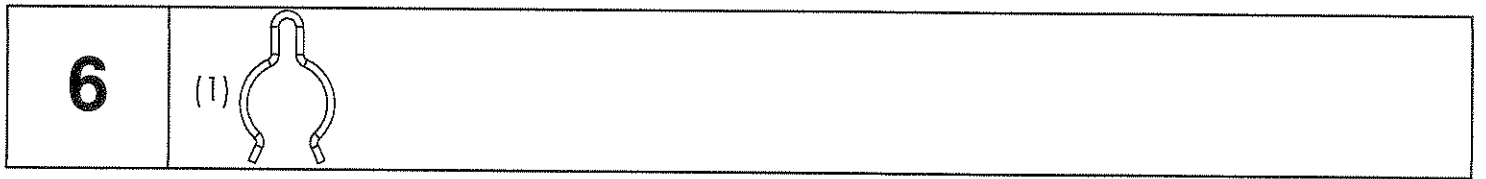
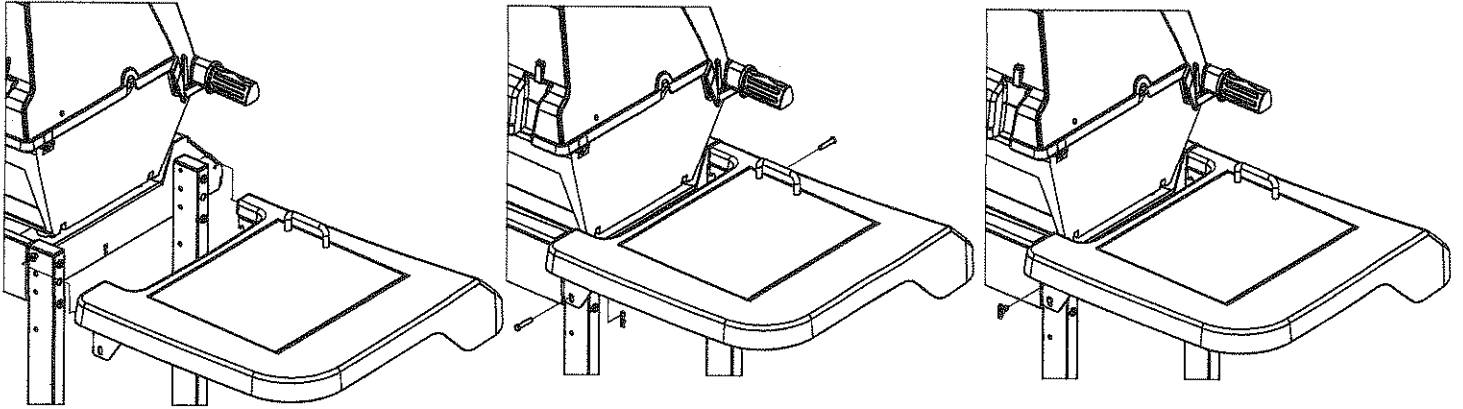
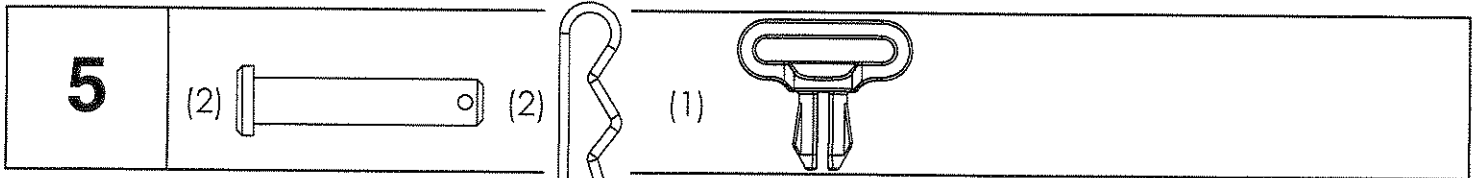


3	(2)  (2)	
----------	---	--

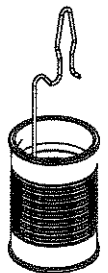
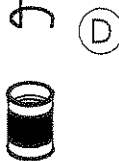
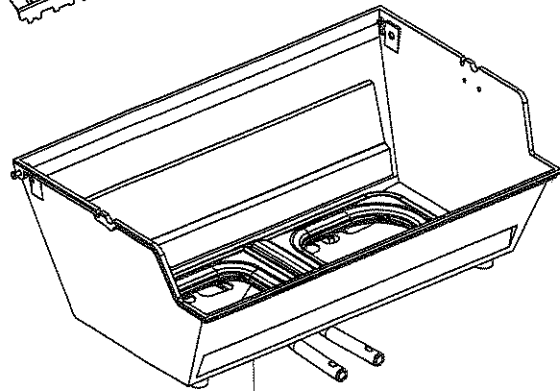
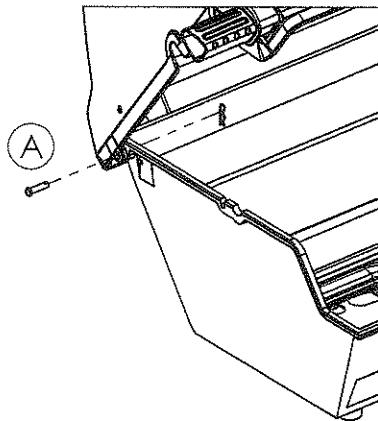
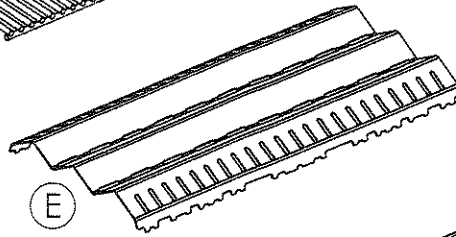
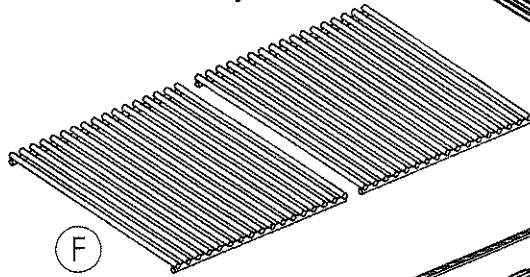
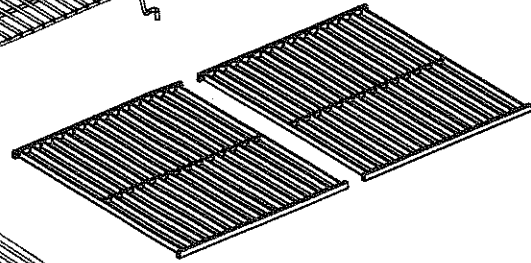
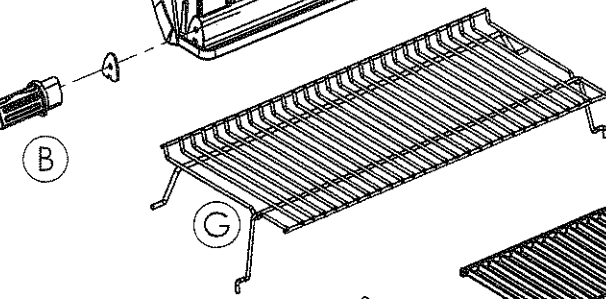
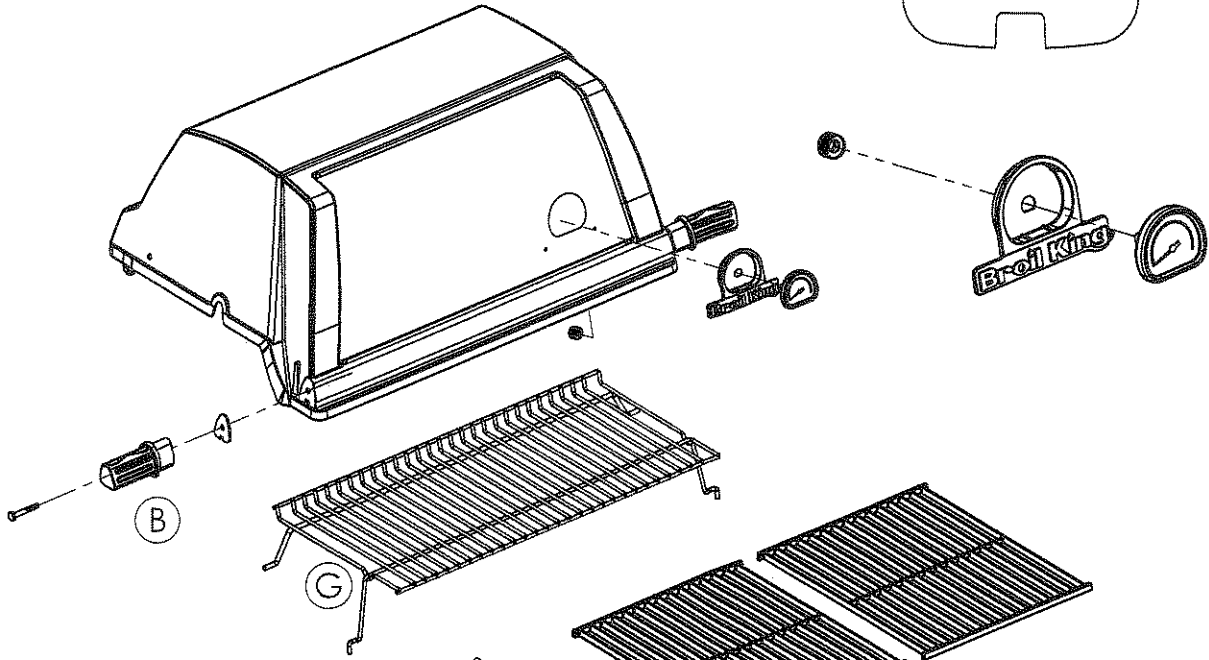
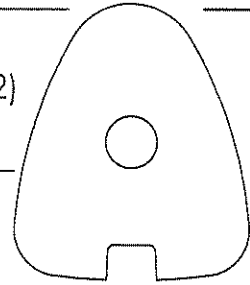
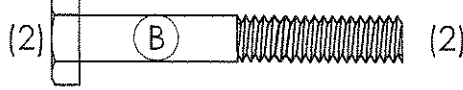
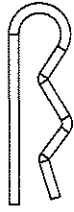
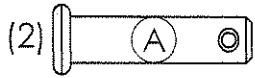


4	(1) 	
----------	---	--

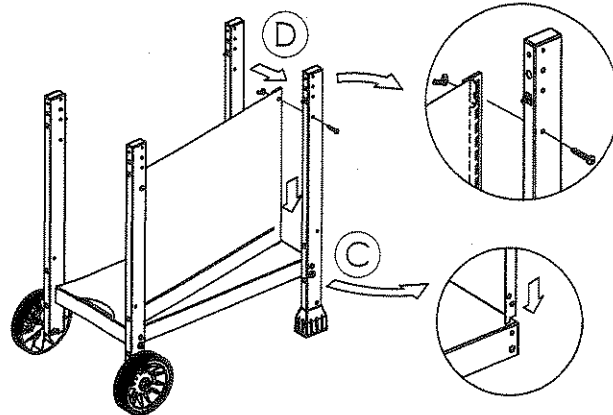
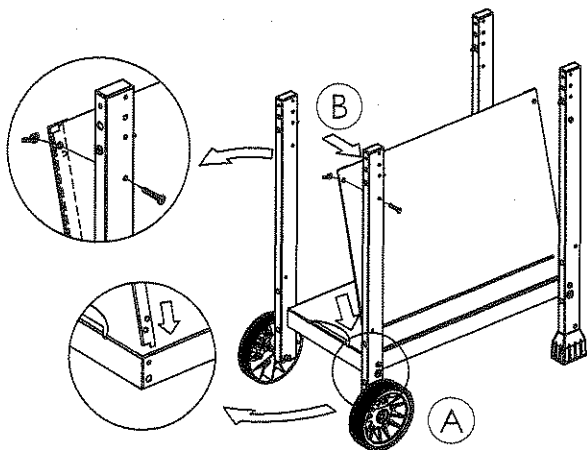
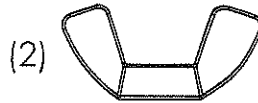




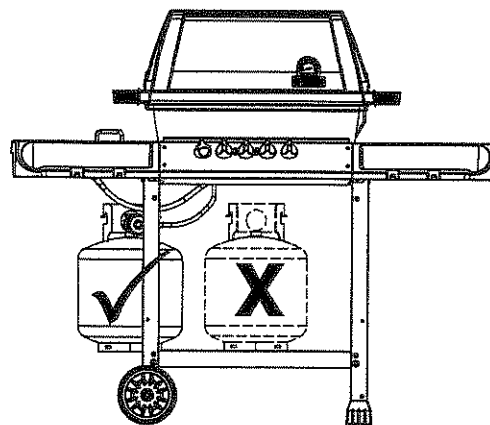
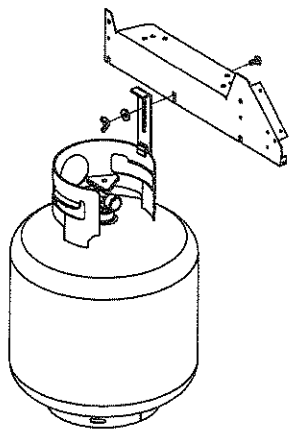
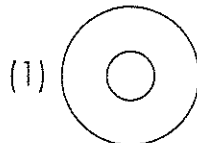
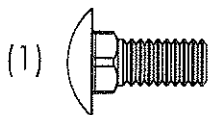
7



8



9



10

