

**OWNER'S MANUAL**

**Model No. GR2B**

# **GEORGE FOREMAN®**



  
**salton®**

# IMPORTANT SAFEGUARDS

When using electrical appliances, basic safety precautions should always be followed, including the following:

1. Read all instructions.
2. Do not touch hot surfaces. Use handles or knobs. Use oven mitts or pot holders.
3. To protect against electric shock, do not immerse cord, plugs, or appliance in water or other liquid.
4. Close supervision is necessary when any appliance is used by or near children.
5. Unplug from outlet when not in use and before cleaning. Allow to cool before putting on or taking off parts, and before cleaning the appliance.
6. Do not operate any appliance with a damaged cord or plug or after the appliance malfunctions, or has been damaged in any manner. Contact Consumer Service for examination, repair or adjustment.
7. The use of accessory attachments not recommended by the appliance manufacturer may cause injuries.
8. Do not use outdoors.
9. Do not let cord hang over edge of table or counter, or touch hot surfaces.
10. Do not place on or near a hot gas or electric burner, or in a heated oven.
11. Extreme caution must be used when moving an appliance containing hot oil or other hot liquids. Allow liquid to cool before removing and emptying drip tray.
12. To disconnect, remove plug from wall outlet.
13. Do not use appliance for other than intended use.

## SAVE THESE INSTRUCTIONS

**For Household Use Only**

# Additional Important Safeguards

**CAUTION HOT SURFACES:** *This appliance generates heat and escaping steam during use. Proper precautions must be taken to prevent the risk of burns, fires, or other injury to persons or damage to property.*

**CAUTION:** *This appliance is hot during operation and retains heat for some time after turning off. Always use oven mitts when handling hot materials and allow metal parts to cool before cleaning. Do not place anything on top of the appliance while it is operating or while it is hot.*

1. All users of this appliance must read and understand this Owner's Manual before operating or cleaning this appliance.
2. The cord to this appliance should be plugged into a 120V AC electrical outlet only.
3. If this appliance begins to malfunction during use, immediately unplug cord from outlet. Do not use or attempt to repair the malfunctioning appliance.
4. Do not leave this appliance unattended during use.
5. When using this appliance, provide adequate air space above and on all sides for air circulation. Do not allow this appliance to touch curtains, wall coverings, clothing, dish towels or other flammable materials during use.
6. This appliance generates steam — do not operate in open position.
7. **Using pot holder, hold the top cover (Lid) open while placing or removing food on the cooking surface to prevent accidental closing and injury.**

## Polarized Plug

This appliance has a **polarized plug** (one blade is wider than the other). To reduce the risk of electric shock, this plug is intended to fit into a polarized outlet only one way. If the plug does not fit fully in the outlet, reverse the plug. If it still does not fit, contact a qualified electrician. Do not attempt to modify the plug in any way.

## Short Cord Instructions

A short power-supply cord is provided to reduce the risk resulting from becoming entangled in or tripping over a longer cord.

Do not use an extension cord with this product.

## Electric Power

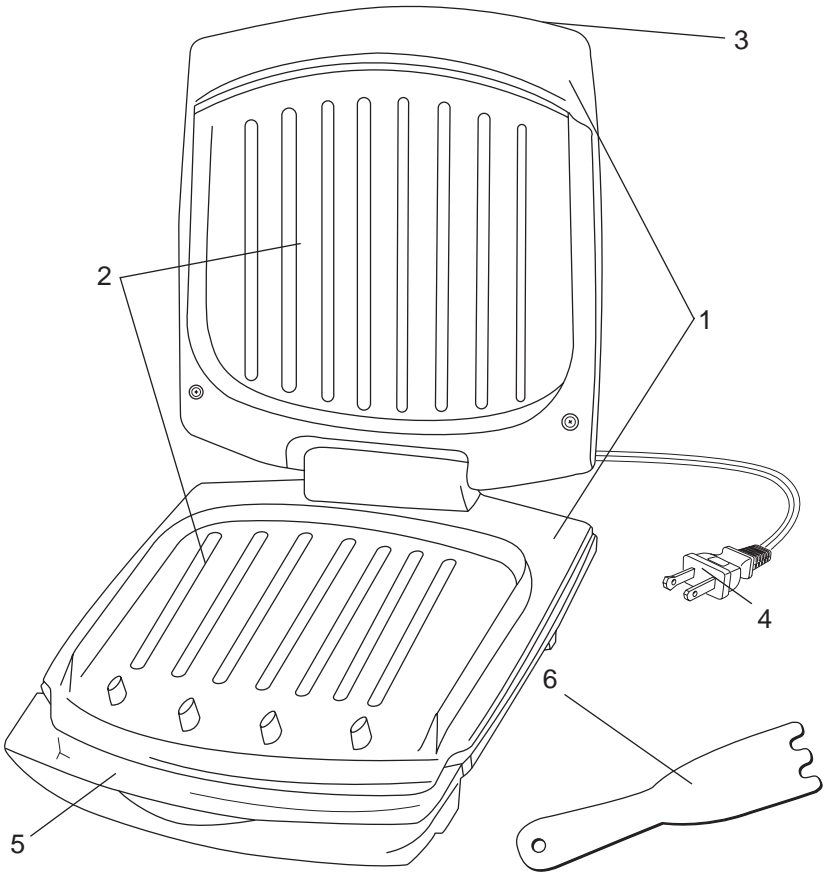
If the electrical circuit is overloaded with other appliances, your appliance may not operate properly. It should be operated on a separate electrical circuit from other appliances.

## Plasticizer Warning

**CAUTION:** To prevent Plasticizers from migrating from the finish of the counter top or table top or other furniture, place **NON-PLASTIC** coasters or placemats between the appliance and the finish of the counter top or table top.

**Failure to do so may cause the finish to darken, permanent blemishes may occur or stains can appear.**

# Getting To Know Your Grilling Machine



- 1. Grill Machine Body
- 2. Grilling Plates
- 3. Indicator Light (LED)
- 4. Power Cord
- 5. Drip Tray (P/N 22849B)
- 6. Plastic Spatula (P/N 20166)

# How To Use George Foreman's Lean Mean Fat Reducing Grilling Machine

1. Before using the Grilling Machine for the first time, wipe the Grilling Plates with a damp cloth to remove all dust.
2. **To preheat:** Close the Lid and plug cord into a 120V AC outlet. The Indicator Light (LED) will illuminate indicating that the elements are heating. Allow Grilling Machine to preheat.
3. Once the Indicator Light turns off, use a pot holder to carefully open the Lid.
4. Slide the grease catching Drip Tray under the front of the unit.
5. Carefully place the items to be cooked on the bottom cooking plate.
6. Close the Lid and allow the food to cook for the desired time. (Consult the Recipe Section at the back of this book for some suggestions.) The Indicator Light will continue to cycle on and off during use. ***Do not leave appliance unattended during use!***
7. After the desired amount of time, the food should be done.
8. Disconnect the plug from the wall outlet.  
***CAUTION: To avoid any sparks at the outlet while disconnecting plug, make sure the "Indicator Light" is off (not illuminated) before disconnecting the plug from the outlet.***
9. Use a pot holder to carefully open the Lid.
10. Remove the food using the Plastic Spatula provided. Be sure to always use either plastic or wooden utensils so as not to scratch the non-stick surface. Never use metal tongs, forks or knives as these can damage the coating on the cooking plates.
11. When cool, the Drip Tray may be removed and emptied. **Be sure the liquid is cooled before removing Drip Tray.**

**NOTE:** Place the thickest part of the food to the front of the grill. Fold thin parts under to even out the thickness. Rearrange food halfway through cooking if necessary.

# Suggested Cooking Chart

|  | Rare<br>(145°F)* | Medium<br>(160°F)* | Well<br>(170°F)* |
|--|------------------|--------------------|------------------|
| Salmon Filet (1" thick)                      | 5 min.           | 8 min.             |                  |
| Rainbow Trout Filet (3/4" thick)             | 5 min.           | 6 min.             |                  |
| Tuna Steak                                   | 5 min.           | 9 min.             |                  |
| White Fish Filet (3/4" thick)                | 2 1/2 min.       | 3 1/2 min.         |                  |
| Shrimp (26-30 count)                         |                  | 3 min.             |                  |
| 4 oz. Turkey Burgers                         |                  |                    | 6 min.           |
| Pork Loin (1/2" thick)                       |                  | 2 1/2 min.         | 3 1/2 min.       |
| 4 oz. Burgers                                | 7 min.           | 8 min.             | 9 min.           |
| Chicken Breast<br>(boneless/skinless)        |                  |                    | 7 min.           |
| Sliced Sausage (1/2" thick)                  |                  | 3 min.             | 4 min.           |
| Fajita Beef (1/4" thick slices)              | 1 1/2 min.       | 2 min.             | 2 1/2 min.       |
| NY, KC, Top Loin Strip Steak<br>(1/2" thick) | 4 min.           | 7 min.             | 10 min.          |
| Onions and Peppers (brush with olive oil)    |                  | 8 min.             |                  |

NOTE: Most meats were 1" thick. These are recommended guidelines only. Personal taste and thickness of cut may vary cooking times. Always check for doneness and always use fresh, refrigerated foods.

**PLEASE NOTE: The USDA recommends that meats such as beef and lamb, etc. should be cooked to an internal temperature of 145°F. Pork should be cooked to an internal temperature of 160°F and poultry products should be cooked to an internal temperature of 170°F - 180°F to be sure any harmful bacteria has been killed. When reheating meat/poultry products, they should also be cooked to an internal temperature of 165°F.**

# User Maintenance Instructions

**CAUTION:** To avoid accidental burns, allow your Grilling Machine to cool thoroughly before cleaning.

1. Before cleaning, unplug the appliance from the wall outlet and allow to cool.

**CAUTION:** To avoid any sparks at the outlet while disconnecting plug, make sure the "Indicator Light" is off (not illuminated) before disconnecting the plug from the outlet.

2. **Inside cleaning:** Place the Drip Tray under the front of the Grilling Machine. Using the specially designed spatula, scrape off any excess fat and food particles. Wipe the plates with absorbent paper towel or a sponge. Run off will drip into the Drip Tray.
3. **Stubborn build-up:** Use a non-metallic scrubbing pad to clean the plates.
4. Empty the Drip Tray and wash with warm soapy water. Wipe dry.
5. **Outside cleaning:** Wipe with a warm, wet sponge and dry with a soft, dry cloth.
6. Do not use steel wool, scouring pads, or abrasive cleaners on any part of the appliance.
7. **DO NOT IMMERSE IN WATER OR OTHER LIQUID.**
8. Any servicing requiring disassembly other than the above cleaning must be performed by a qualified electrician.
9. Make sure to hold the top cover (Lid) by hand while cleaning to prevent accidental closing and injury.



# Recipes

**NOTE:** For all recipes, please remember to place Drip Tray in front of the Grilling Machine to catch drippings from the cooking process.

## The Champ's Sausage Without Guilt

You can start your day with a sizzling sausage patty that not only tastes good, but is also good for you. This moist, flavorful sausage, served with a country-style biscuit, makes the complete breakfast. Choose ground turkey breast, which is lower in fat than ground turkey containing dark meat and skin. Turkey, especially the light meat, is a good source of niacin, which is an important B vitamin needed to maintain a healthy nervous system.

1 slightly beaten egg white  
1/3 cup finely chopped onion  
1/4 cup finely snipped dried apples OR  
    1/2 cup finely chopped fresh red Delicious apple  
1/4 cup seasoned bread crumbs  
2 Tbsp. snipped fresh parsley  
1/2 tsp. sea salt  
1/2 tsp. ground sage  
1/4 tsp. ground nutmeg  
1/4 tsp. black pepper  
1/8 tsp. cayenne pepper  
1/2 lb. lean ground turkey breast

- In a medium size mixing bowl, combine the egg white, onion, dried or fresh apples, bread crumbs, parsley, salt, sage, nutmeg, black pepper, and cayenne pepper. Add the ground turkey and mix well.
- Shape the mixture into nine 2-inch wide patties.
- Preheat the Grilling Machine. Place four to five patties on the grill. Close the Lid. Cook for 3-4 minutes or until the meat is no longer pink and the juices run clear.
- Yield: 8 - 9 patties

This recipe is from "The Healthy Gourmet" (Clarkson Potter) by Cherie Calbom.

## George's Sausage Texas Style

A spicy sausage with true Southwestern zip! These breakfast sausages are great served with a sautéed vegetable or fresh salsa and egg scramble. Buy 90% lean ground beef for the least-fat sausage. Ninety percent lean beef has 9 grams of fat with 4 of those grams being saturated fat; whereas 73% lean beef has 18 grams of fat with 7 of the grams being saturated.

1 slightly beaten egg white  
1/3 cup finely chopped onion  
1/4 cup seasoned bread crumbs  
1/4 cup diced green chili peppers  
1 clove (large) garlic, finely minced  
2 Tbsp. snipped fresh cilantro  
1 Tbsp. apple cider vinegar  
1-1/2 tsp. chili powder  
1/4 tsp. sea salt  
1/8 tsp. cayenne pepper  
1/2 lb. lean ground beef

- In a medium-size mixing bowl, combine the egg white, onion, bread crumbs, green chili peppers, garlic, cilantro, vinegar, chili powder, salt and cayenne pepper. Add the ground beef and mix well.
- Shape the mixture into eight 2½ inch wide patties.
- Preheat the Grilling Machine. Place four patties on the grill. Close the Lid.
- Cook for 3 - 4 minutes or until the meat is no longer pink and the juices run clear, Repeat with remaining patties.
- Yield: 8 patties

This recipe is from "The Healthy Gourmet" (Clarkson Potter) by Cherie Calbom.

## George Foreman's PowerBurger

A flavorful hamburger that we think tastes even better than its all-meat cousin! It pays to eat meals that minimize meat. To reduce saturated fat in a typical burger, you can cut back on the amount of meat and make up for it with plant-based ingredients. Bread crumbs and chopped vegetables have been added in this recipe. You could also try cooked rice, other grains or cereal. In addition, choose whole wheat buns; they typically contain one less fat gram than regular or even reduced-calorie buns.

If you settle for nothing less than a cheeseburger, Swiss cheese is 1 gram lower in fat than Cheddar, American or Monterey Jack with 8 grams of fat versus 9 in each ounce of cheese. However, reduced fat cheeses like Cheddar or Swiss contain half the fat with 4 grams per ounce. Mustard contains 1 gram of fat per tablespoon versus a whopping 11 grams of fat in a tablespoon of mayonnaise.

Top your burger in healthful style with dark, leafy green lettuce, shredded cabbage, fresh cilantro, basil or spinach.

1/2 cup chopped vegetables such as yellow onions,  
green onions, zucchini, parsley (can be sautéed)  
1/2 cup seasoned bread crumbs  
1 1/2 lbs. lean ground beef

- In a medium-size mixing bowl, combine the vegetables and bread crumbs. Add the ground beef and mix well.
- Shape the mixture into eight 3-inch wide patties.
- Preheat the Grilling Machine. Place two patties on the grill at a time. Close the Lid.
- Cook for 4 - 5 minutes or until the meat is no longer pink and the juices run clear, turning once. Repeat with the remaining patties
- Yield: Serves 8

This recipe is from "The Healthy Gourmet" (Clarkson Potter) by Cherie Calbom.

## Grilled Vegetables

6 slices eggplant, 1/2" thick (or use 2 baby eggplants)  
2 small zucchini, sliced 1/2" thick  
2 small onions, sliced 1/2" thick  
6 mushrooms, sliced  
2 cloves garlic, peeled and sliced  
2 small tomatoes, diced  
olive oil

- Preheat the Grilling Machine. Drizzle olive oil over the vegetables.
- Add the eggplant, cover and cook 5 minutes, remove and keep warm.
- Fill the grill with zucchini, cover and cook 5 minutes, remove and keep warm.
- Add the onion and mushrooms, cover and cook 5 minutes. Add to the cooked vegetables.
- Add the garlic slices, cover and cook 1 minute, stirring as needed. Remove and add to the cooked vegetables.
- Stir the diced tomatoes into the hot vegetables.
- Yield: Serves 2 – 4.

Serve as an accompaniment to meat and pasta. Or serve as a grilled vegetable sandwich on French bread or in a pita.

## Rosemary Lamb Chops

4 sirloin lamb chops, boneless  
2 tsp. fresh chopped rosemary (or 1/2 tsp.dried)  
ground black pepper to taste

- Coat chops with rosemary and pepper.
- Preheat the Grilling Machine.
- Close Lid and cook for 8 - 10 minutes for medium (a hint of pink in the middle) and 13 minutes for well done.
- Serve immediately
- Yield: Serves 4

## **Mustard Lemon Chicken Breast**

1 Tbsp. prepared mustard  
1 Tbsp. balsamic vinegar  
1/2 Tbsp. lemon juice  
1 clove garlic, minced  
1/2 tsp. paprika  
2 6 oz. chicken breasts halves, boneless, skinless

- Mix first 5 ingredients.
- Add chicken breast and let it marinate for at least 1/2 hour in the refrigerator.
- Preheat the Grilling Machine.
- Place marinated chicken on Grilling Machine and close Lid. Let cook for 7 - 8 minutes or until the meat is no longer pink and the juices run clear.
- Remove and serve.
- Yield: Serves 2

## **Tilapia with Tomatoes**

2 tsp. olive oil  
1/2 small onions, diced  
1 clove garlic, minced  
1 small tomatoes, chopped  
1 Tbsp. fresh basil or 1/2 tsp. dried, chopped  
1/2 Tbsp. fresh parsley, chopped  
1/2 Tbsp. ground pepper  
1/2 Tbsp. lemon juice  
2 3 oz. pieces of tilapia (or any white fish fillet)

- Preheat the Grilling Machine.
- Sauté the onion and garlic in oil for 2 minutes, stirring occasionally.
- Add the tomato, half of the herbs and a few grinds of pepper. Lay the fish on top, folding thin parts under to even out thickness. Add the lemon juice and remaining herbs.
- Cover and let cook for 2 1/2 - 3 1/2 minutes.
- Lift the fish and the vegetables onto a plate.
- Serve with fresh bread or rice.
- Yield: Serves 2

## Strip Steak Polynesian

2 Tbsp. soy sauce  
1 clove garlic, minced  
1 tsp. honey  
2 - 8 oz. strip steaks

- Combine first 3 ingredients.
- Marinate the strip steak in the mixture for approximately one hour in the refrigerator.
- Preheat the Grilling Machine.
- Place the marinated strip steaks onto the preheated grill. Close the Lid.
- Grill for 4 - 10 minutes, or until done. Open grill and add rest of the marinade to the top of the steaks and close grill.
- Grill for 1 - 2 minutes, open grill and serve on a bed of rice.
- Yield: Serves 2

**NOTE:** For additional recipes go to [www.igrillwithgeorge.com](http://www.igrillwithgeorge.com).

# Frequently Asked Questions

| <b>Question</b>  | <b>Response</b>  |
|--|--|
| <b>1. Why does the Indicator Light turn ON and OFF?</b>  | As stated in the manual, the Indicator Light goes ON to indicate when the Grill's elements are heating. The Indicator Light goes OFF when the proper temperature has been reached. The thermostat will cycle ON and OFF throughout the cooking process to maintain proper temperature. |
| <b>2. After cooking with garlic, how can I remove the smell of the garlic from the surface of my George Foreman Grill?</b> | After cleaning your George Foreman Grill according to the "User Maintenance Instructions" make a paste of baking soda and water and spread on the surface of the Grill. Allow it to sit for a few minutes and then wipe away with a damp sponge or cloth.                              |
| <b>3. Can I cook frozen food on my George Foreman Grill?</b>   | It is preferable that food be defrosted before placing on the George Foreman Grill. Make sure that the Grill is preheated, see preheat instructions, before placing food on the grilling plate.  |
| <b>4. Can I cook kabobs on the George Foreman Grill?</b>   | Yes. In order to protect the non-stick surface, use wooden skewers. We recommend that you soak the skewers first in water for about 20 minutes. This will keep the skewers from burning.   |
| <b>5. How can I cook hot dogs and link sausage on my George Foreman Grill?</b>   | Preheat your Grill. Place the hot dogs lengthwise on the Grill. Close the Lid and cook for 5-8 minutes or until desired browning is achieved. Rearrange on grill as needed.  |
| <b>6. Can browned potato patties be prepared on my George Foreman Grill?</b>   | Yes, preheat the Grill. Add hash brown patties onto the Grill surface, close the Lid, and cook for approximately 10 minutes or until sizzling.   |
| <b>7. Any other cooking suggestions?</b>   | Fresh peppers can be grilled for 8-10 minutes for skinning purposes. Grilled cheese sandwiches can also be cooked on your George Foreman Grill.  |

## LIMITED ONE-YEAR WARRANTY

**Warranty Coverage:** This product is warranted to be free from defects in materials or workmanship for a period of one (1) year from the original purchase date. This product warranty is extended only to the original consumer purchaser of the product and is not transferable. For a period of one (1) year from the date of original purchase of the product, our Repair Center will, at its option, either (1) repair the product or (2) replace the product with a reconditioned comparable model. These remedies are the purchaser's exclusive remedies under this warranty.

**Warranty Service:** To obtain warranty service, you must call our warranty service number at 1-800-233-9054 for return instructions on how to deliver the product, in either the original packaging or packaging affording an equal degree of protection to the Repair Center specified below. You must enclose a copy of your sales receipt or other proof of purchase to demonstrate eligibility for warranty coverage.

**To return** the appliance, ship to:

ATTN: Repair Center  
708 South Missouri Street  
Macon, MO 63552 USA

**To contact us**, please write to, call, or email:

Consumer Relations Department  
PO Box 7366  
Columbia MO 65205-7366 USA  
1-800-233-9054  
E-mail:  
consumer\_relations@toastmaster.com

**What Is Not Covered:** This warranty does not cover damage resulting from misuse, accident, commercial use, improper service or any other damage caused by anything other than defects in material or workmanship during ordinary consumer use. This warranty is invalid if the serial number has been altered or removed from the product. This warranty is valid only in the United States and Canada.

**LIMITATION ON DAMAGES:** THERE SHALL BE NO LIABILITY FOR ANY INCIDENTAL OR CONSEQUENTIAL DAMAGES FOR BREACH OF ANY EXPRESS OR IMPLIED WARRANTY OR CONDITION ON THIS PRODUCT.

**DURATION OF IMPLIED WARRANTIES:** EXCEPT TO THE EXTENT PROHIBITED BY APPLICABLE LAW, ALL IMPLIED WARRANTIES AND CONDITIONS, INCLUDING, WITHOUT LIMITATION, IMPLIED WARRANTIES AND CONDITIONS OF MERCHANTABILITY AND FITNESS FOR A PARTICULAR PURPOSE OR USE ON THIS PRODUCT ARE LIMITED IN DURATION TO THE DURATION OF THIS WARRANTY.

Some jurisdictions do not allow the exclusion or limitation of incidental or consequential damages, or allow limitations on how long an implied warranty lasts, so the above limitations or exclusions may not apply to you. This warranty gives you specific legal rights and you may have other rights under the laws of your jurisdiction.

For more information on our products, visit our website: [www.maxim-toastmaster.com](http://www.maxim-toastmaster.com)

Printed in China

© 2007 Salton, Inc.