

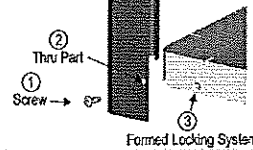
Necessary tools for assembly of your grill is a Phillips head screwdriver. CAUTION: When using a power screwdriver set it to low torque.

Size and type of hardware used in assembly of your grill may vary, but will not affect grill integrity.

"NEW"
T. L. M. - Torque Locking Method

- ① ② ③
Screw + Thru Part + Formed Lock = Solid Lock Cart Structure

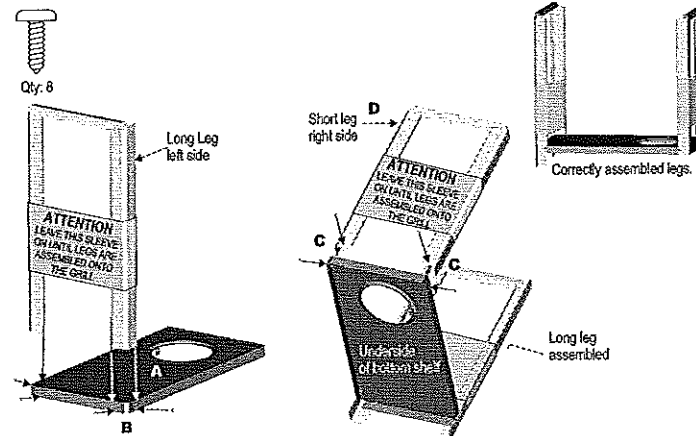
- The cart assembly utilizes the new T.L.M. fastening method.
- No need for the old style "Box & Nut" combination.



1

- Items to Assemble:
1 Long Leg Assembly
1 Short Leg Assembly
8 Screws

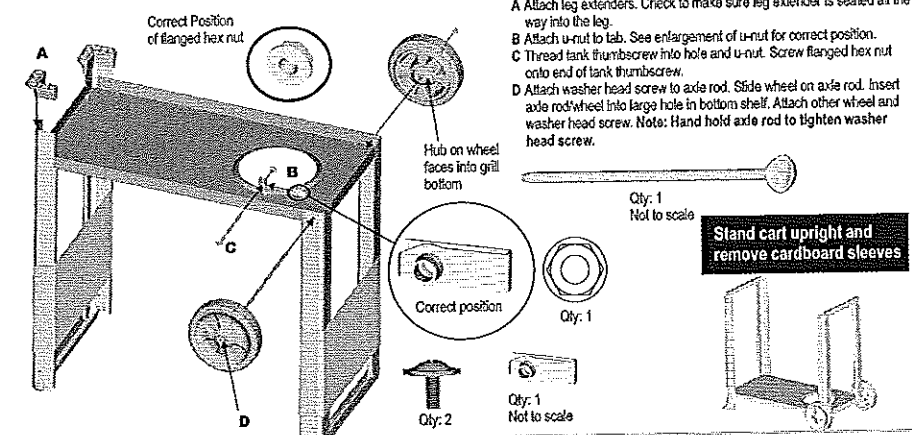
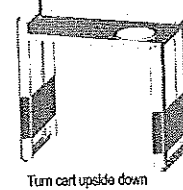
- A Place bottom shelf on table or grill container.
B Insert tabs on long leg assembly into bottom shelf.
C Attach leg assembly with one screw on each side.
D Repeat step B and C for short leg assembly.



2

- Items to Assemble:
2 Wheels
1 Axle Rod
2 Washer Head Screw
1 U-Nut
1 Tank Thumbscrew
1 Flanged Hex Nut
2 Leg Extenders

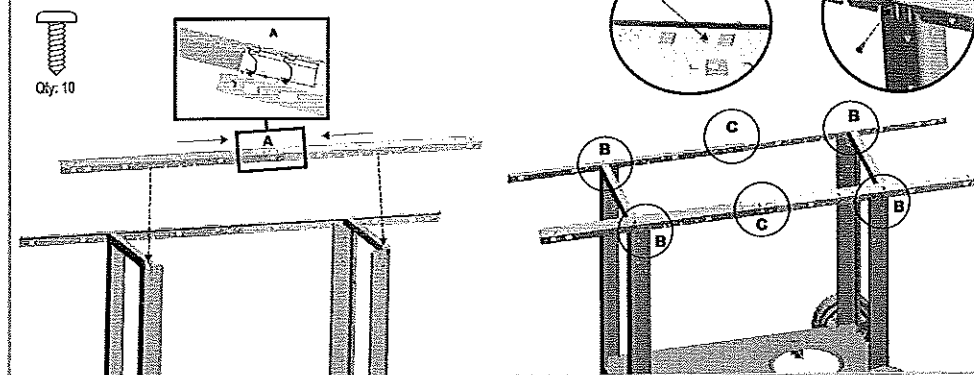
CAUTION: Ends of screws have sharp points



3

- Items to Assemble:
4 Rails (all identical)
10 Screws

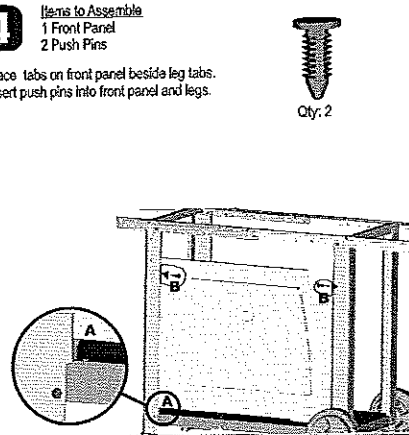
- A Overlap rails and hook tabs into slots. Pull rails to latch.
B Attach rail and legs with two screws in each corner.
C Attach one screw in center of each rail.



4

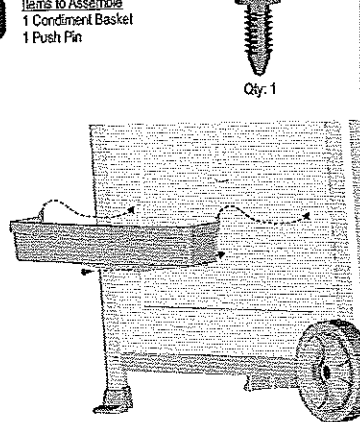
- Items to Assemble:
1 Front Panel
2 Push Pins

- A Place tabs on front panel beside leg tabs.
B Insert push pins into front panel and legs.



5

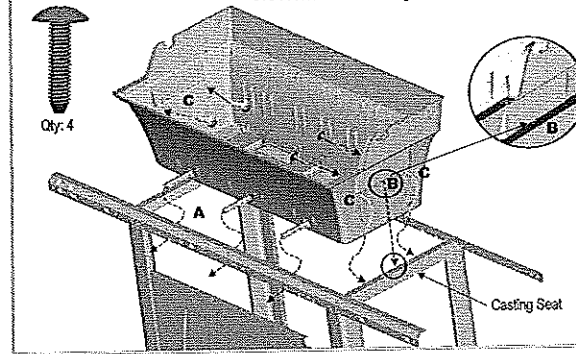
- Items to Assemble:
1 Condiment Basket
1 Push Pin



6

- Items to Assemble:
1 Grill Bottom Assembly
4 Screws

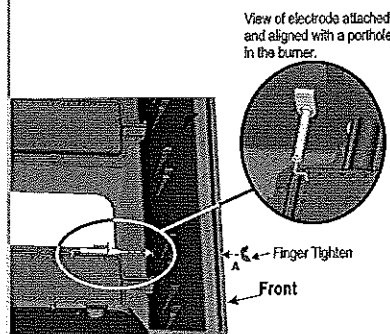
- A Angle grill bottom assembly around and under the rails.
CAUTION: Be careful not to dislodge burner tubes.
B Make sure ribs on each side of bottom casting are nested into notches on casting seat.
C Attach four screws inside grill bottom and into casting seat.



7

- Items to Assemble:
1 Electrode w/Wing Nut or Nut

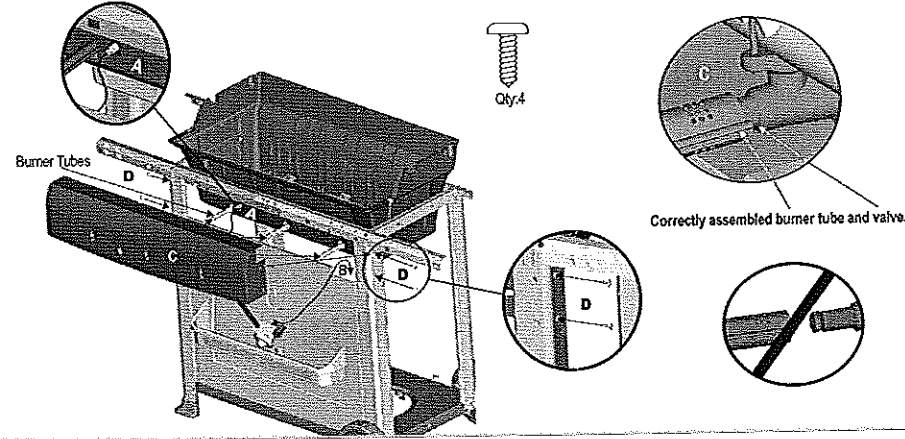
- A Inside bottom casting insert electrode and finger tighten with wing nut or nut.



8

- Items to Assemble:
1 Console Assembly
4 Screws

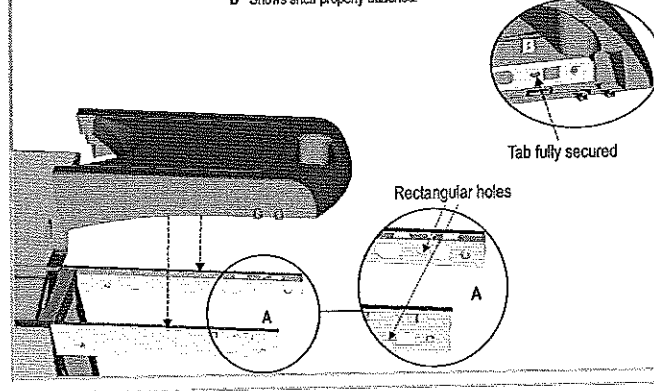
- A Hold control panel close to bottom casting. Attach ignitor wire to electrode.
B Insert regulator into opening in front panel.
C Position valves into burner tubes (see burner-valve view). Rotate control panel up and rest flange over rail.
D Attach control panel to legs with two screws on each side.



9

- Items to Assemble:
2 Shelves

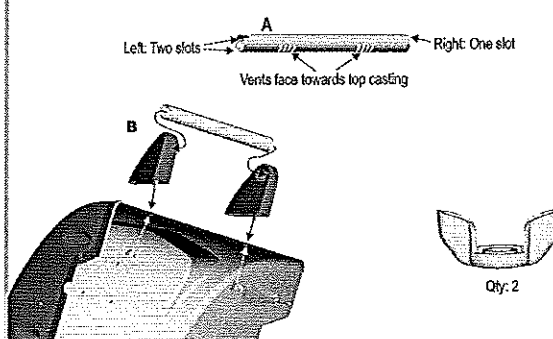
- A Shows a close up of the rectangular hole that holds the shelves in place. Press side shelf firmly onto the rails until it is fully secured to the rails.
B Shows shelf properly attached.



10

- Items to Assemble:
1 Handle
1 Handle Cap, Right
1 Handle Cap, Left
2 Wing Nuts

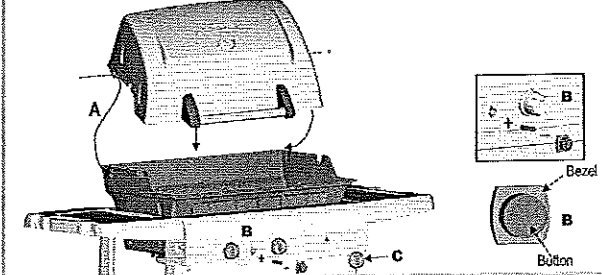
- A Vents in handle face towards top casting.
B Place right handle cap with one slot on right side of handle and left handle cap with two slots on left side. Fasten to top casting with two wing nuts.



11

- Items to Assemble:
1 Top Casting Assembly
3 Control Knobs
1 Ignition Button
2 Shoulder Bolts
1 AAA Battery

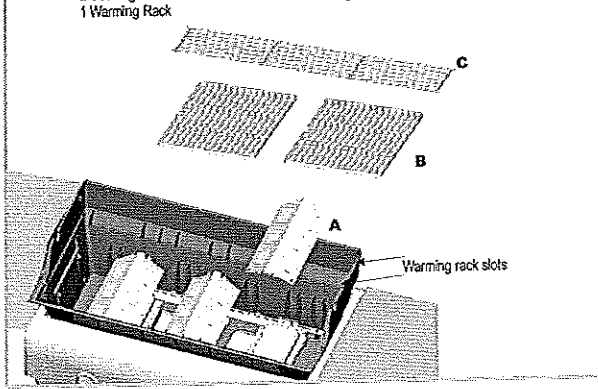
- A Attach lid with shoulder bolts.
B Insert + side of battery into ignitor module. Note correct position to hold ignitor button. Push on button once to engage seal.
C Place knobs on valve stems.



12

- Items to Assemble:
3 Vaporizer Tents
2 Cooking Grids
1 Warming Rack

- A Note correct position of vaporizer tents directly over burners.
B Place cooking grids as shown.
C Place warming rack in slots on bottom casting.

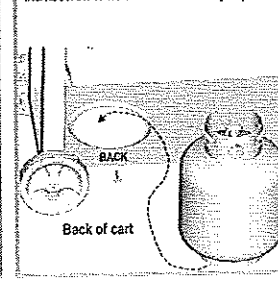


13

- Items to Assemble:
1 (purchased) LP Tank

LP tank is sold separately. Use only with an (over-fill protection device) OPD equipped LP tank. Fill and leak check before attaching to grill and regulator.

Place LP tank into hole in bottom shelf. Tighten thumbscrew to hold LP tank securely in place.



CAUTION

- Tank collar opening must face to front of cart once tank is attached.
- Failure to install tank correctly may allow gas hose to be damaged in operation, resulting in the risk of fire.

See the Use & Care manual to correctly install the LP Tank, Leak Test and do the Burner Flame Check.