

Necessary tools for assembly of your grill is a Phillips head screwdriver. CAUTION: When using a power screwdriver set it to low torque.

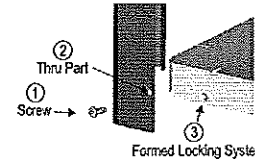
Size and type of hardware used in assembly of your grill may vary, but will not affect grill integrity.

**"NEW"**  
T. L. M. - Torque Locking Method

- ① ② ③  
Screw + Thru Part + Forged Lock = Solid Lock Cart Structure

The cart assembly utilizes the new T.L.M. fastening method.

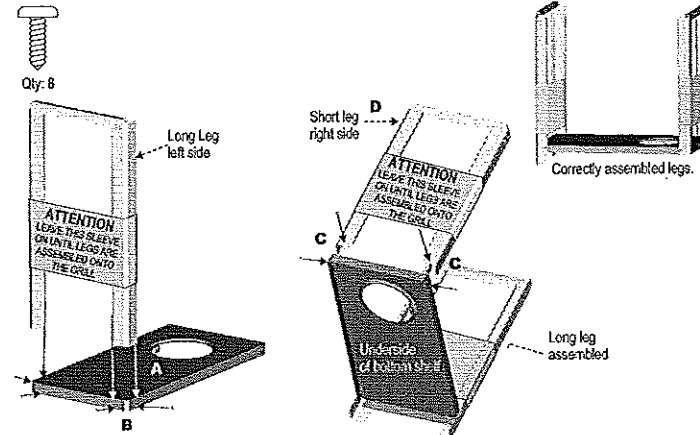
No need for the old style "Bolt & Nut" combination.



**1**

- Items to Assemble  
1 Long Leg Assembly  
1 Short Leg Assembly  
8 Screws

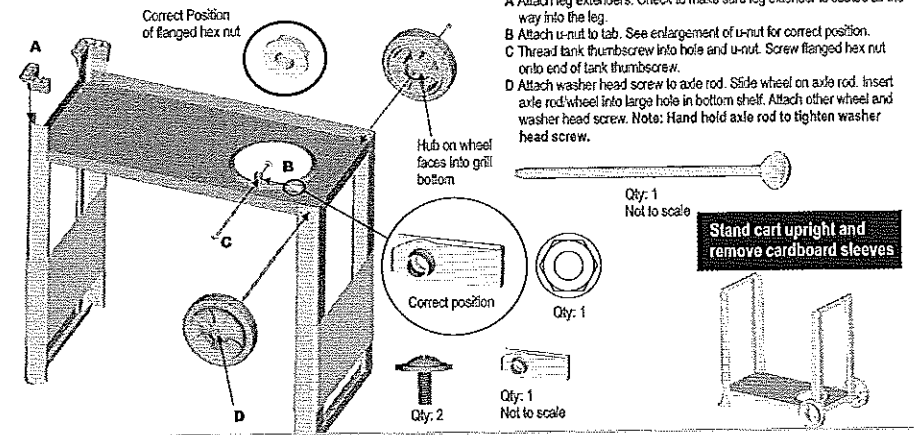
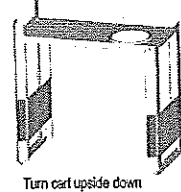
- A Place bottom shelf on table or grill container.  
B Insert tabs on long leg assembly into bottom shelf.  
C Attach leg assembly with one screw on each side.  
D Repeat step B and C for short leg assembly.



**2**

- Items to Assemble  
2 Wheels  
1 Axle Rod  
2 Washer Head Screw  
1 U-Nut  
1 Tank Thumbscrew  
1 Flanged Hex Nut  
2 Leg Extenders

CAUTION: Ends of screws have sharp points



- A Attach leg extenders. Check to make sure leg extender is seated all the way into the leg.  
B Attach u-nut to tab. See enlargement of u-nut for correct position.  
C Thread tank thumbscrew into hole and u-nut. Screw flanged hex nut onto end of tank thumbscrew.  
D Attach washer head screw to axle rod. Slide wheel on axle rod. Insert axle rod/wheel into large hole in bottom shelf. Attach other wheel and washer head screw. Note: Hand hold axle rod to tighten washer head screw.

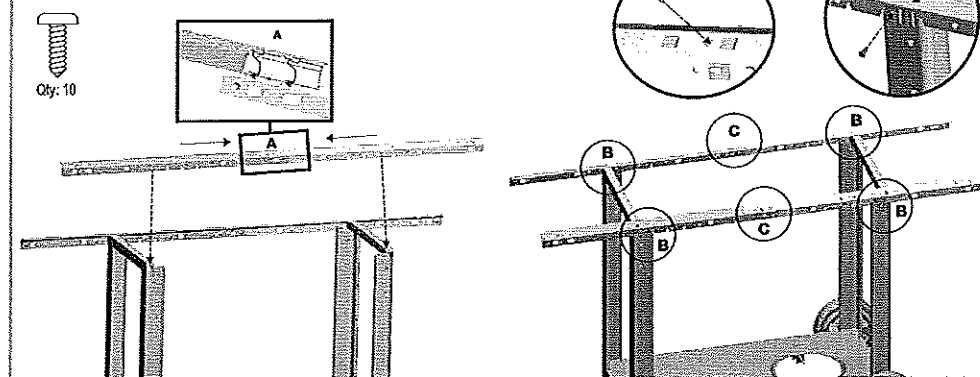
Qty: 1  
Not to scale

Stand cart upright and remove cardboard sleeves

**3**

- Items to Assemble  
4 Rails (all identical)  
10 Screws

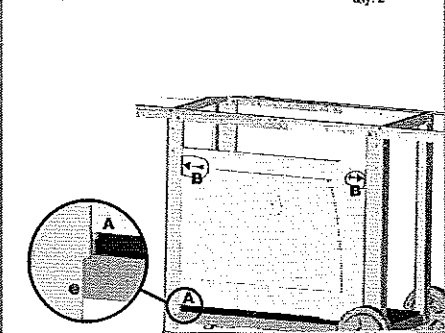
- A Overlap rails and hook tabs into slots. Pull rails to latch.  
B Attach rail and legs with two screws in each corner.  
C Attach one screw in center of each rail.



**4**

- Items to Assemble  
1 Front Panel  
2 Push Pins

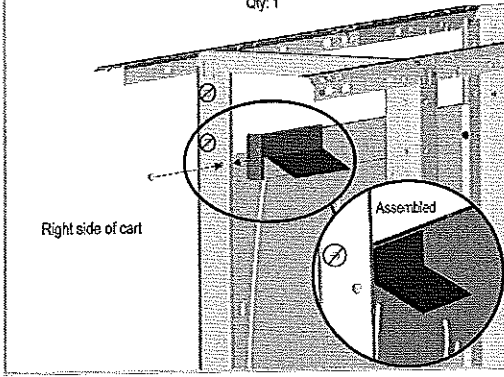
- A Place tabs on front panel beside leg tabs.  
B Insert push pins into front panel and legs.



**5**

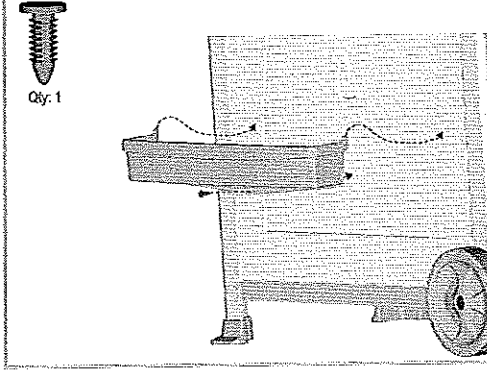
- Items to Assemble  
1 Hose Heat Shield  
1 Screw

- Right side of cart



**6**

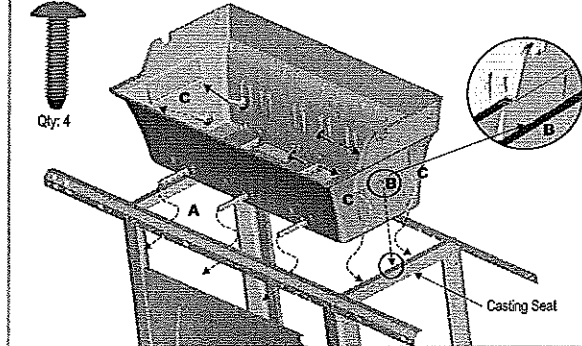
- Items to Assemble  
1 Condiment Basket  
1 Push Pin



**7**

- Items to Assemble  
1 Grill Bottom Assembly  
4 Screws

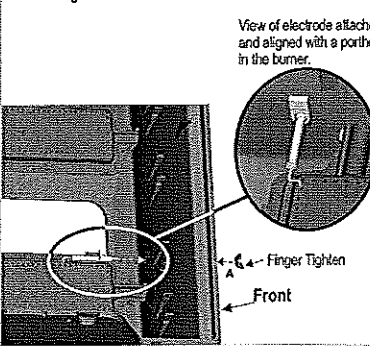
- A Angle grill bottom assembly around and under the rails.  
CAUTION: Be careful not to dislodge burner tubes.  
B Make sure ribs on each side of bottom casting are nested into notches in casting seat.  
C Attach four screws inside grill bottom and into casting seat.



**8**

- Items to Assemble  
1 Electrode w/Wing Nut or Nut

- A Inside bottom casting insert electrode and finger tighten with wing nut or nut.

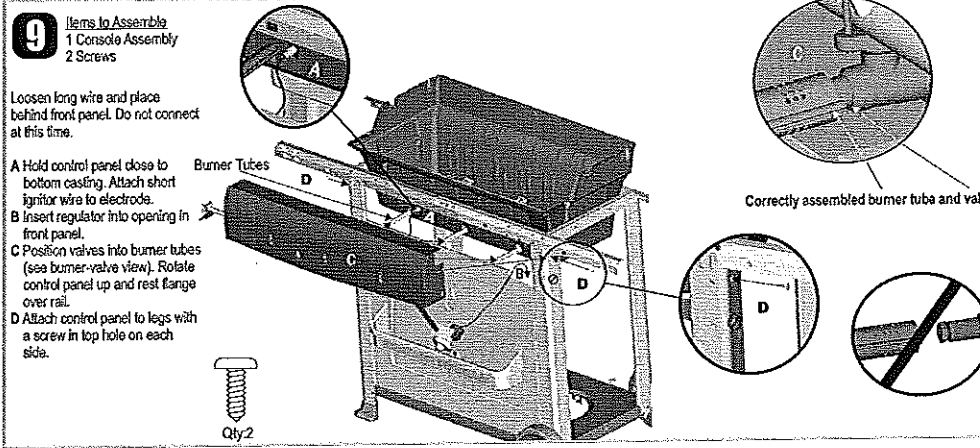


**9**

- Items to Assemble  
1 Console Assembly  
2 Screws

- Loosen long wire and place behind front panel. Do not connect at this time.

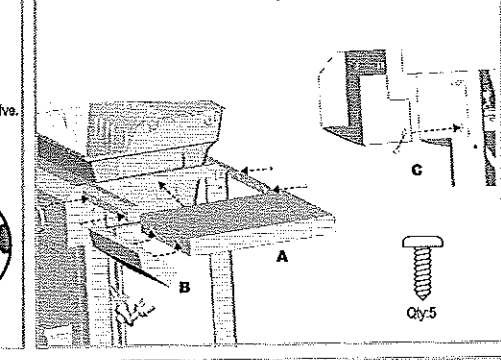
- A Hold control panel close to bottom casting. Attach short ignitor wire to electrode.  
B Insert regulator into opening in front panel.  
C Position valves into burner tubes (see burner-valve view). Rotate control panel up and rest flange over rail.  
D Attach control panel to legs with a screw in top hole on each side.



**10**

- Items to Assemble  
1 Shelf  
5 Screws  
1 Fascia

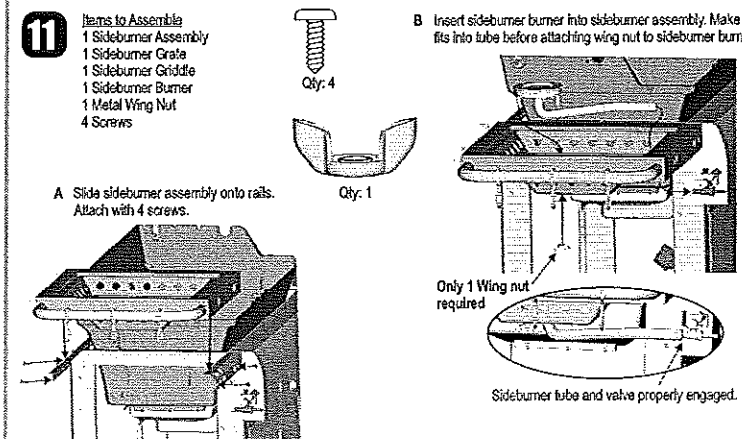
- A Shelf slides into rails. Secure with 4 screws.  
B Fascia tabs must insert into 2 slots in front of shelf, then slide towards leg.  
C Fasten fascia with 1 screw into second hole through control panel and leg.



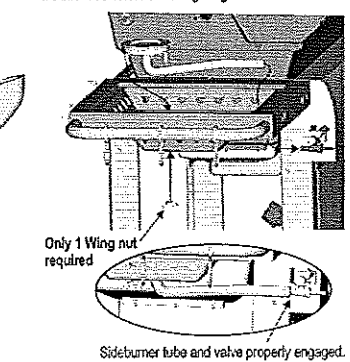
**11**

- Items to Assemble  
1 Sideburner Assembly  
1 Sideburner Grate  
1 Sideburner Griddle  
1 Sideburner Burner  
1 Metal Wing Nut  
4 Screws

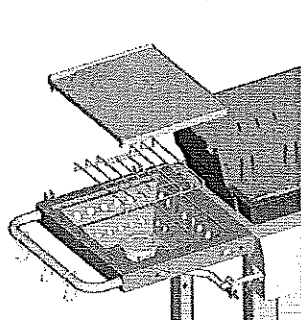
- A Slide sideburner assembly onto rails. Attach with 4 screws.



- B Insert sideburner burner into sideburner assembly. Make sure valve fits into tube before attaching wing nut to sideburner burner.



- C Place sideburner grid and griddle onto sideburner assembly.

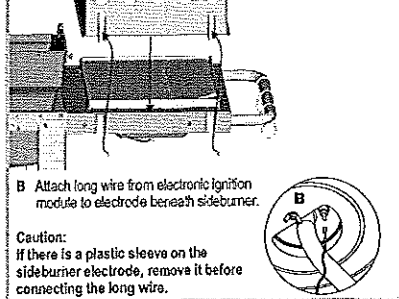


NOTE: Remove grid from sideburner before using griddle.

**12**

- Items to Assemble  
1 Sideburner Lid Assembly  
2 Screws, 5/16"

- A Place sideburner lid onto sideburner assembly. Attach with two screws.

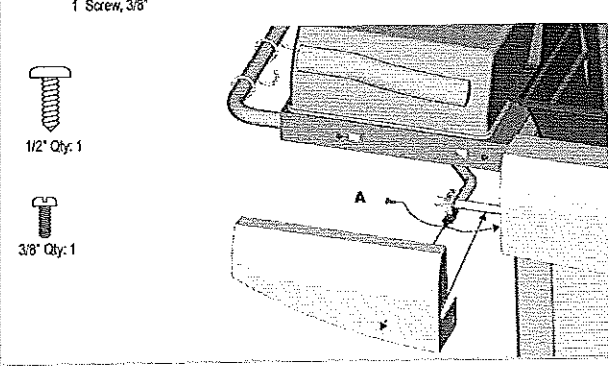


- B Attach long wire from electronic ignition module to electrode beneath sideburner.

Caution: If there is a plastic sleeve on the sideburner electrode, remove it before connecting the long wire.

**13**

- Items to Assemble  
1 Fascia  
1 Bezel  
1 Screw, 1/2"  
1 Screw, 3/8"



- A Slide fascia around manifold and insert sideburner valve into slot. Fascia tabs must insert into 2 slots in front of shelf, then slide towards leg. Fasten fascia into second hole through control panel and leg.  
B Place bezel onto valve and attach with 3/8" screw.