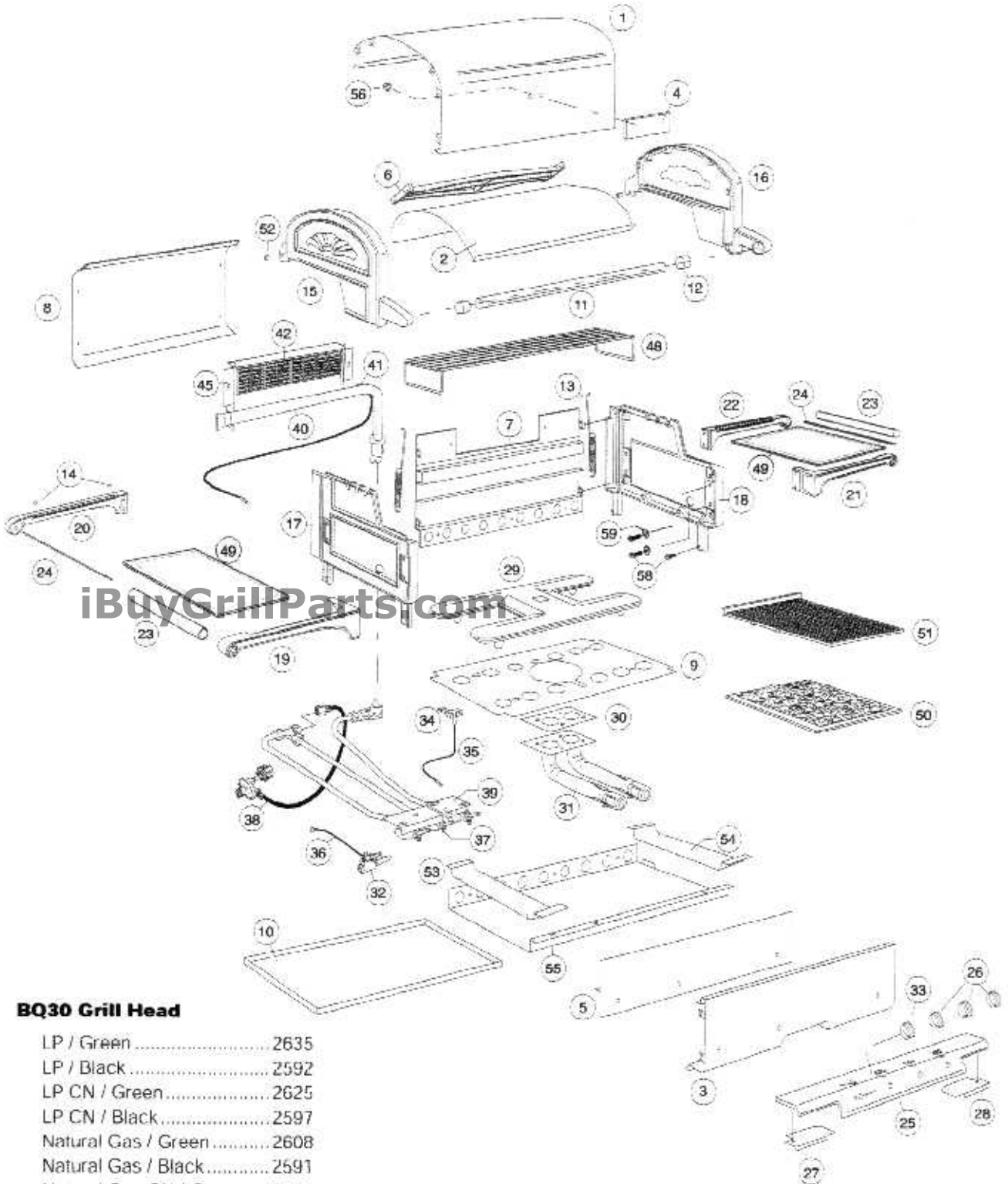


Vermont Castings Barbeque

Illustrated Parts List

iBuyGrillParts.com

888-634-4289



BQ30 Grill Head

- LP / Green 2635
- LP / Black 2592
- LP CN / Green 2625
- LP CN / Black 2597
- Natural Gas / Green 2608
- Natural Gas / Black 2591
- Natural Gas CN / Green 2609
- Natural Gas CN / Black 2597

iBuyGrillParts.com

888-634-4289

BQ30 Outdoor Gas Grill Parts (U.S. & Canada)

No. Description / Qty. Part No.

No. Description / Qty. Part No.

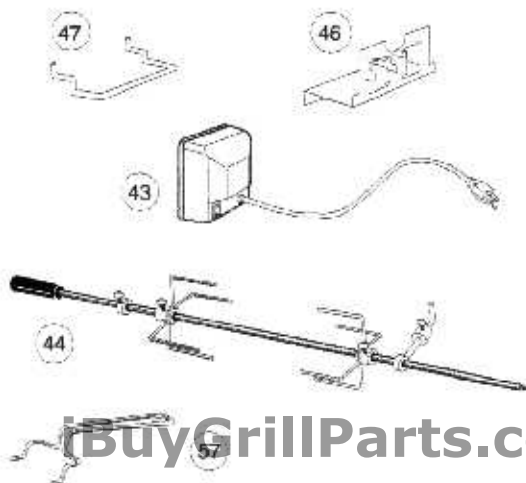
iBuyGrillParts.com

888-634-4289

1	Lid	1	140-8921
2	Heatshield, Top	1	140-8922
3	Front	1	140-8923
4	Logo Plate -Grn	1	223-0976
	Logo Plate -Blk	1	224-0976
5	Heatshield, Front	1	140-8924
6	Stabilizer Bar	1	130-0978
7	Back	1	140-8948
8	Back Cover	1	140-8925
9	Burner Support Panel	1	140-8926
10	Drip Tray	1	140-8950
11	Handle, Lid	1	140-8927
12	Insulator Pad, Handle	2	160-1728
13	Lid Spring	2	120-1852
14	Pad, Silicone	6	318-6678
15	Top End, Left - Grn	1	233-0961
	Top End, Left - Blk	1	234-0961
16	Top End, Right - Grn	1	233-0962
	Top End, Right - Blk	1	234-0962
17	Bottom End, Left - Grn	1	233-0963
	Bottom End, Left - Blk	1	234-0963
18	Bottom End, Right - Grn	1	233-0964
	Bottom End, Right - Blk	1	234-0964
19	Front Arm, Left - Grn	1	233-0965
	Front Arm, Left - Blk	1	234-0965
20	Rear Arm, Left - Grn	1	233-0966
	Rear Arm, Left - Blk	1	234-0966
21	Front Arm, Right - Grn	1	233-0967
	Front Arm, Right - Blk	1	234-0967
22	Rear Arm, Right - Grn	1	233-0968
	Rear Arm, Right - Blk	1	234-0968
23	Handle, Arm	2	140-8920
24	Tie Rod	2	160-1770
25	Control Panel - Grn	1	233-0975
	Control Panel - Blk	1	234-0975
26	Knob, Valve Control	3	160-1725
27	Label, English Instructions	1	160-1742
28	Label, French Instructions	1	160-1779
29	Burner	1	160-8951
30	Burner Gasket	1	120-3692
31	J-tube, Main Burner	1	140-8953

32	Piezo Ignitor, rotary	1	160-1720
33	Knob, Piezo	1	160-1741
34	Electrode, Collector Box	1	160-1721
35	Electrode Wire	1	160-1722
36	Ground Strap	1	160-1723
37	LP Valve Ass'by, w/ Regulator	1	000-2669
	NG Valve Ass'by. (no Regltr.)	1	500-3027
38	Regulator	1	160-1727
39	Valve Bracket	1	140-8974
40	Burner, Rotisserie	1	160-1733
41	Electrode Ass'by.	1	160-1738
42	Radiant Element	4	160-1740
43	Rotisserie Motor	1	160-1744
44	32" Split Kit	1	160-1745
45	Rotisserie Burner Bracket	1	140-8947
46	Rotisserie Motor Bracket	1	140-8965
47	Rotisserie Motor Slide Rod	1	160-1729
48	Warming Shelf	1	140-8969
49	Glass Shelf	2	140-8928
50	Coal Grate	2	134-0974
51	Cooking Grill	2	134-0972
52	Brass Bushing	2	160-1773
53	Left Seal Plate	1	140-8980
54	Right Seal Plate	1	140-8981
55	Tank Shield	1	140-8968
56	Push Nut	1	120-3364
57	Grill Handle	1	160-1891
58	Soc Buttonhead 1/4-20 x 5/8"	12	120-0935
59	Washer, Lock 1/4"Ext Star	8	120-2462

NG Conversion Kit (not shown) 000-2637
 LP Conversion Kit (not shown) 000-2616



iBuyGrillParts.com

888-634-4289

#2636 Cart - Forest Green
#2593 Cart - Black

No.	Description / Qty.	Part No.
1	Base	140-8918
2	Tank Skirt	140-8919
3	Leg, Left Rear	140-8930
4	Leg, Right Rear	140-8931
5	Leg, Left Front	140-8932
6	Leg, Right Front (includes axle)	140-8933
7	Tire	140-8952
8	Leg Pad	160-1743
9	Axle Bushing	120-1898
10	Wheel, Outer	231-0970
11	Wheel, Inner	231-0971
12	1/4-20 x 3/4" Ovl Hd Phillips	120-1296
13	Tank Retainer	160-1759
14	Push Nut	120-3364

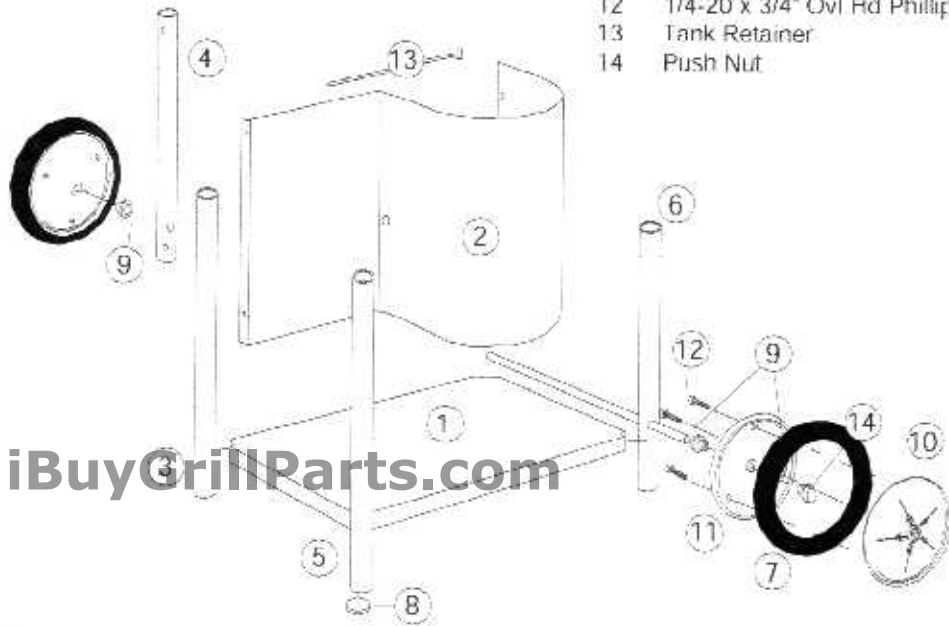
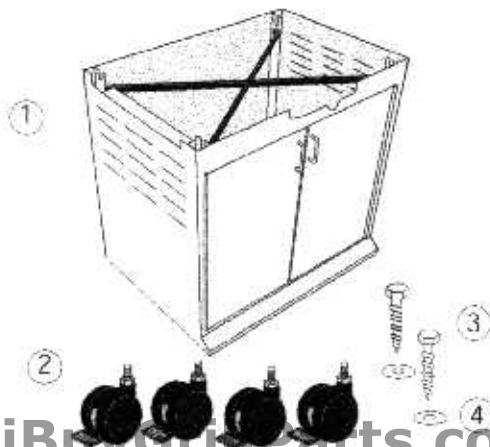


Figure 54.

#2606 Stainless Steel Base

No.	Description / Qty.	Part No.
1	Stainless Cabinet	000-2606
2	Castor	160-1896
3	3/8 x 5 1/2" Lag screw	na
4	3/8 Washer	120-2488



iBuyGrillParts.com

888-634-4289