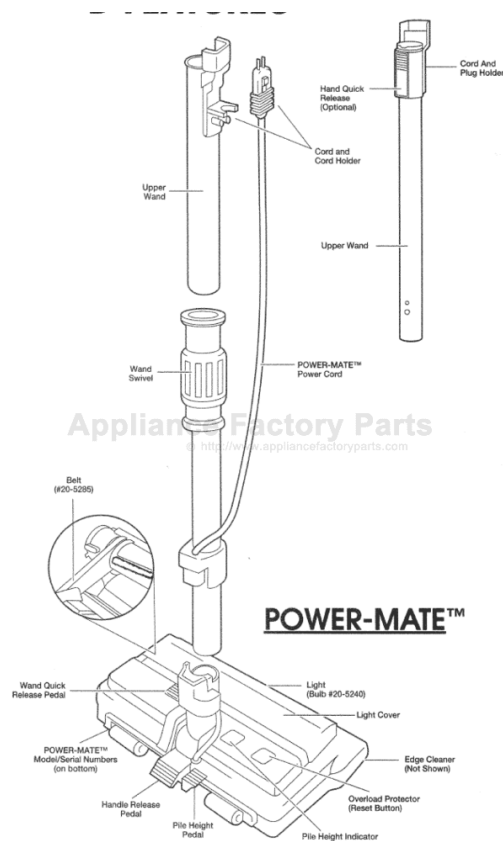


This Owner's Manual is provided and hosted by Appliance Factory Parts.



Kenmore 116.2595490 Owner's Manual

[Shop genuine replacement parts for Kenmore
116.2595490](#)



[Find Your Kenmore Vacuum Cleaner Parts - Select From 745 Models](#)

----- Manual continues below -----



SEAR

Vacuum Clea

OWNER'S MANUAL

CONTENTS

WARRANTY AND SERVICE.....

IMPORTANT SAFETY INSTRUCTIONS

PARTS AND FEATURES

ASSEMBLY

USE

How to Start.....

Vacuuming Tips.....

Suggested Pile Height Settings.....

Attachments

Attachment Use Chart.....

Performance Features.....

HOW YOUR VACUUM WORKS.....

CANISTER CARE

Bag Changing.....

Motor Safety Filter Cleaning.....

Cleaning Exterior and Attachments.....

POWER-MATE™ CARE.....

Light Bulb Changing.....

Belt Changing and Brush Cleaning.....

Brush Servicing

Brush Assembly.....

TROUBLESHOOTING

Proper assembly and safe use of your vacuum cleaner are your responsibility. This vacuum cleaner is intended only for household use. The cleaner should be stored in a dry area. Read this Owner's Manual carefully for important use and safety information.

WARRANTY

KENMORE VACUUM CLEANER FULL ONE-YEAR WARRANTY

When used for private household purposes, if within one year from the date of purchase, this vacuum cleaner fails due to a defect in material or workmanship, RETURN IT TO THE NEAREST SEARS SERVICE CENTER/DEPARTMENT IN THE UNITED STATES, and Sears will repair it, free of charge.

SERVICE

If you need service or parts, visit your nearest Sears Service Center or call the Sears Service Department. They will be glad to help you and supply any needed replacement parts. Repairs not described in this manual should be done by a Sears authorized service representative.

When requesting assistance, provide the following information:

IMPORTANT SAFETY INSTRU



WARNING

To reduce the risk of fire, electrical shock, injury to persons or damage to your vacuum cleaner, follow basic safety precautions including the following:

Read this manual before assembling or using your vacuum cleaner.

Use your cleaner only as described in this manual. Use only with recommended attachments.

Do not use outdoors or on wet surfaces. Electrical shock could occur.

Disconnect electrical supply before servicing or cleaning out brush area. Failure to do so could result in electrical shock or brush suddenly starting.

Always turn cleaner off before connecting or disconnecting the hose or POWER-MATE™.

Always turn cleaner off before unplugging.

Do not unplug by pulling on cord. To unplug, grasp the plug, not the cord.

Hold plug when rewinding onto cord reel. Do not allow plug to whip when rewinding.

Do not use with damaged cord or plug. If cleaner is not working as it should, has been dropped, damaged, left outdoors, or dropped into water, return it to a Sears Service Center/Department.

Do not pull or carry by cord, use cord as a handle, close door on cord, or pull cord around sharp edges or corners. Do not run cleaner over cord. Keep cord away from heated surfaces.

Do not leave cleaner when plugged in. Unplug from outlet when not in use and before servicing.

Do not allow to be used as a toy. Close attention is necessary when used by or near children.

hose. The hose contains sharp objects. Replace if cut or worn.

Do not put any objects in

Do not use with any open flame. Keep free of dust, lint, hair and other debris to reduce air flow.

Keep hair, loose clothing and other parts of body away from moving parts.

Do not use cleaner with filters in place. Always clean filters after vacuuming candles, fresheners, powders and other products clog the bag. Bag change could cause peeling the cleaner.

Do not use the cleaner to pick up objects, small toys, pins, etc. may damage the cleaner.

Do not pick up anything while smoking, such as cigarettes, hot ashes.

Do not use cleaner to pick up combustible liquids (gasoline, perfumes, etc.), or use on surfaces where such substances can create an explosion.

Use extra care when cleaning. Do not put on chairs, tables,

PARTS AND FEATURES

It is important to know your vacuum cleaner parts and features to assure its proper and safe use. Review these before using your cleaner.

COPY YOUR MODEL AND SERIAL NUMBERS HERE.

Copy this information from the bottom of each unit into these spaces. Keep these numbers for future reference. If you need service or call with a question, have this information ready:

116.

Canister Model Number

D-

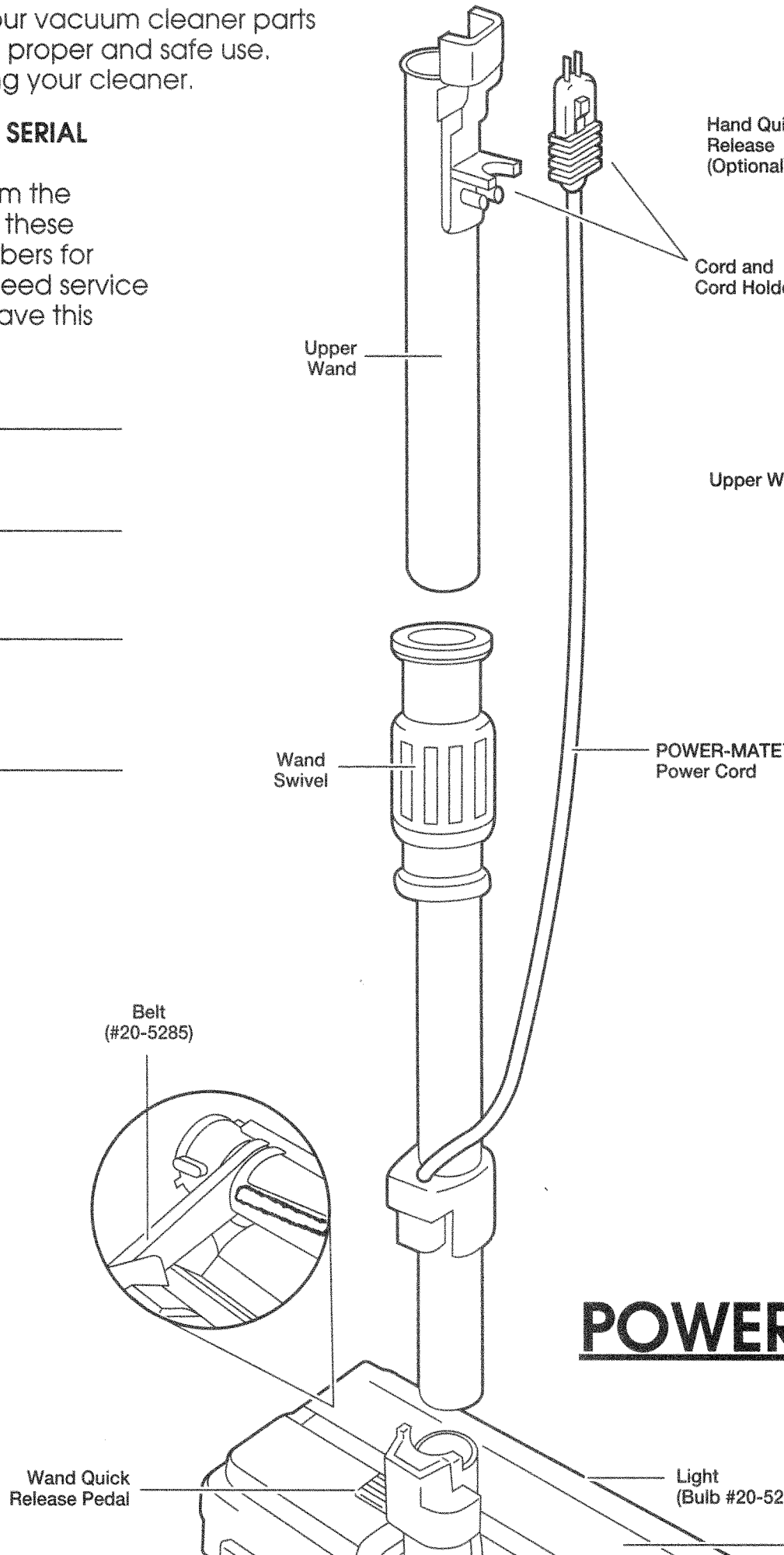
Canister Serial Number

116.

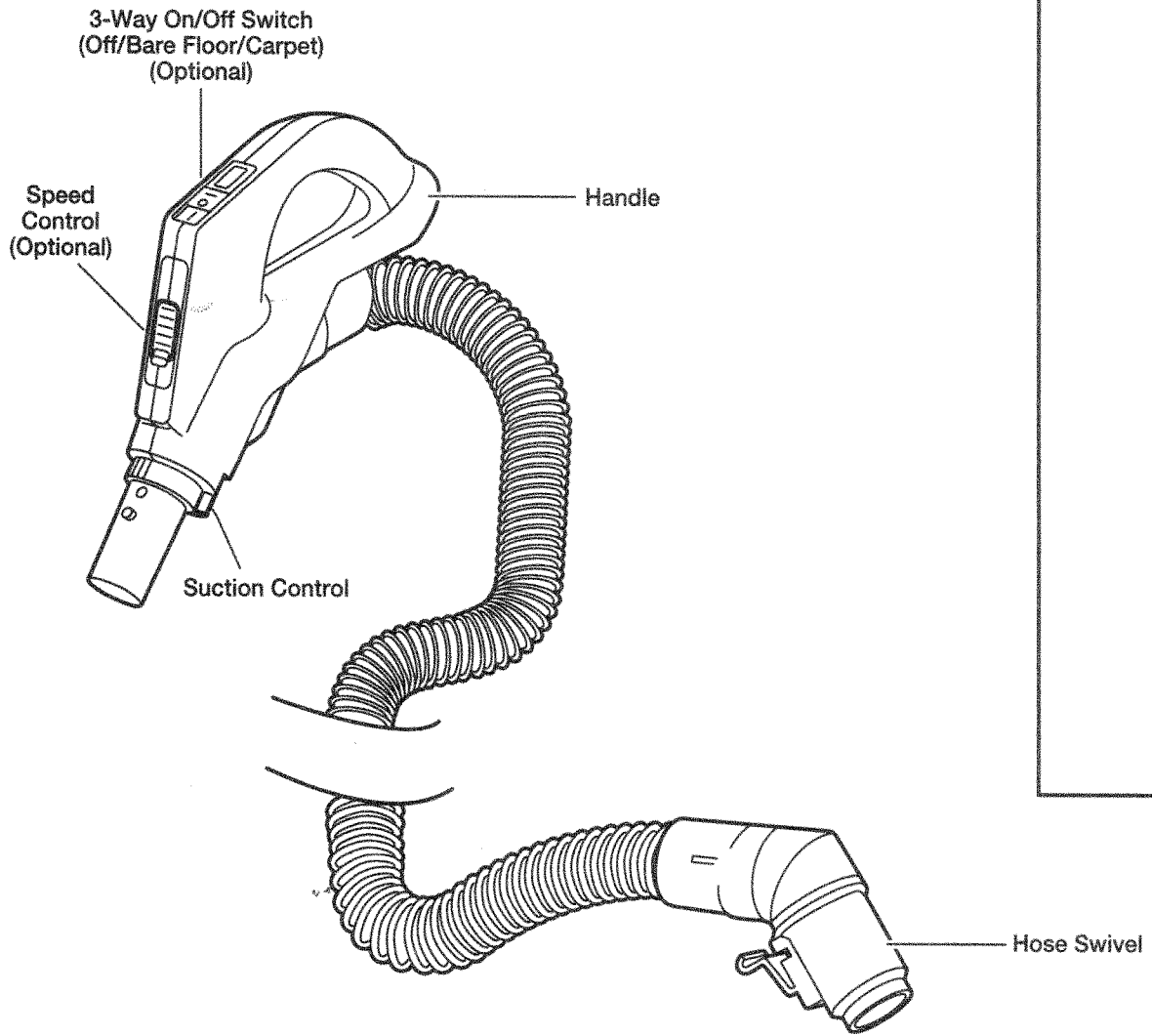
POWER-MATE™
Model Number

D-

POWER-MATE™
Serial Number



HOSE



ATTACH

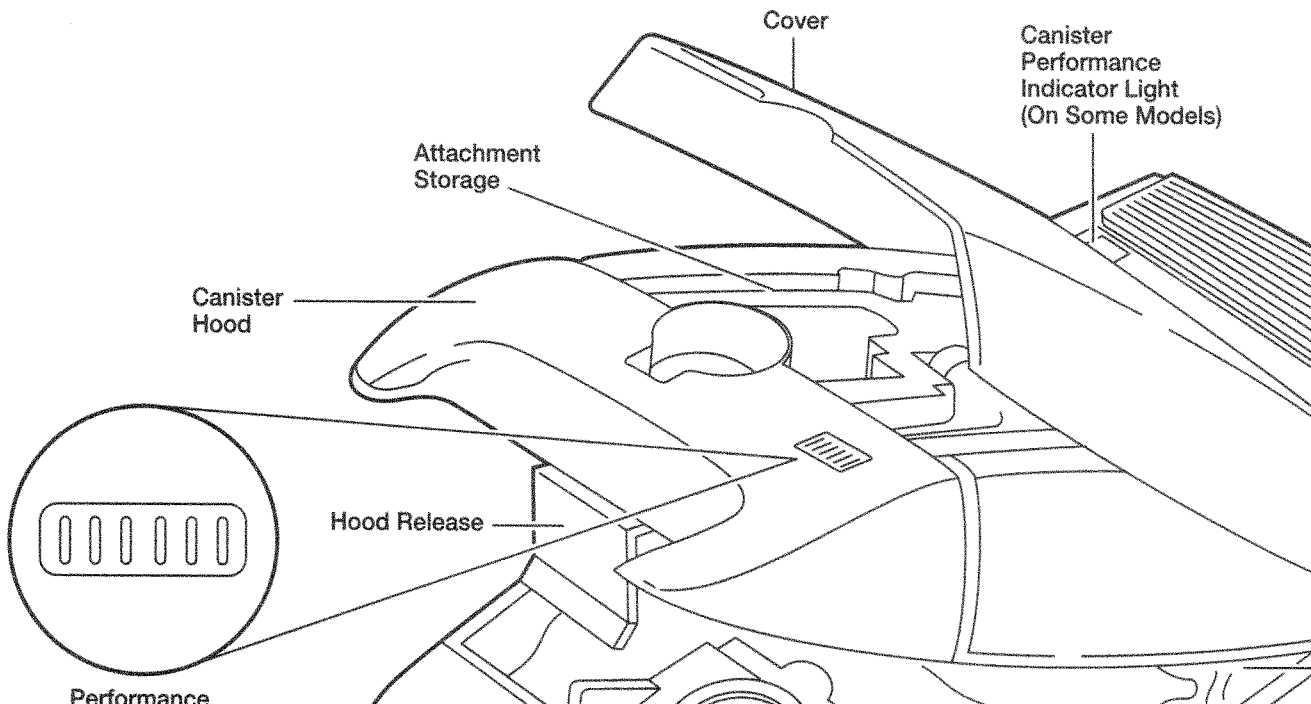
Crevice Tool —

Dusting Brush —

Fabric Brush —


Floor Brush —

CANISTER



ASSEMBLY

Before assembling your vacuum cleaner, be sure you have all parts shown on pages 3 and 4.



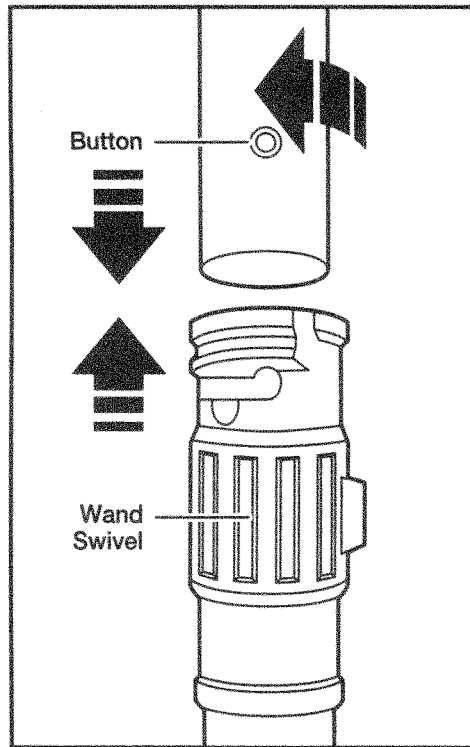
WARNING

Electrical Shock Hazard
Do not plug into electrical supply until assembly is complete. Failure to do so could result in electrical shock or injury.

WANDS

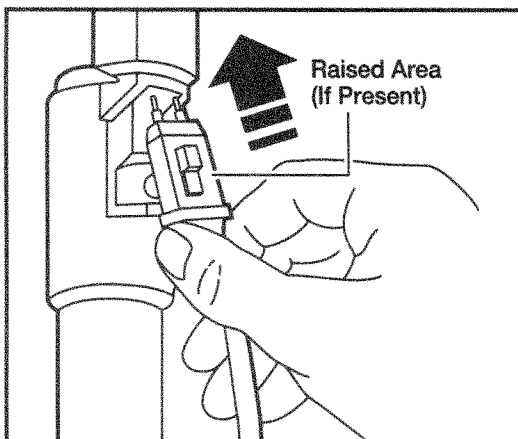
- Slide wands together until wand button snaps into place. Turn wand button to the slotted area of the wand swivel.

The swivel allows you to turn the handle to the left side to reach farther under low furniture.



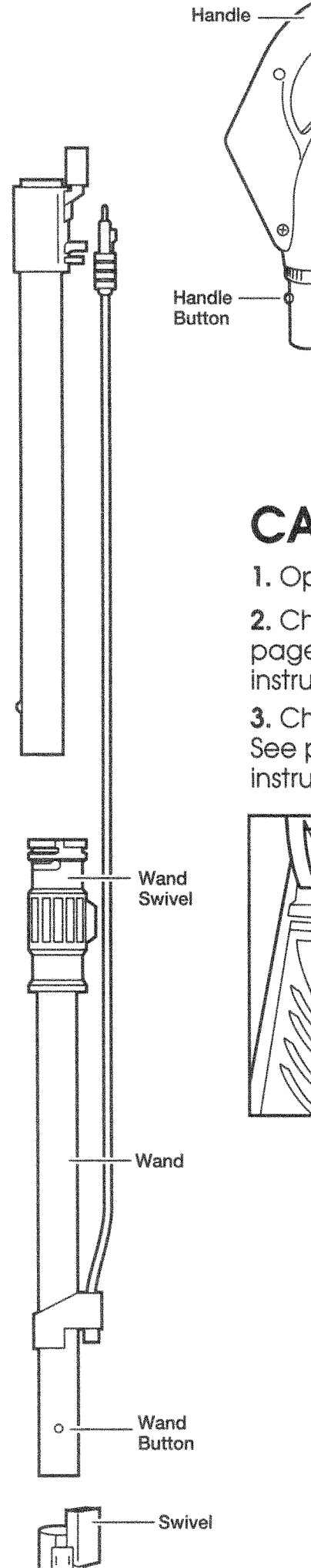
POWER-MATE™

1. Insert wands into POWER-MATE™ until the wand buttons snaps into place.



To remove: step on wand release pedal, then pull up on wands.

2. Connect POWER-MATE™ plug and cord as shown. **Do not force.** Raised area



CAUTION

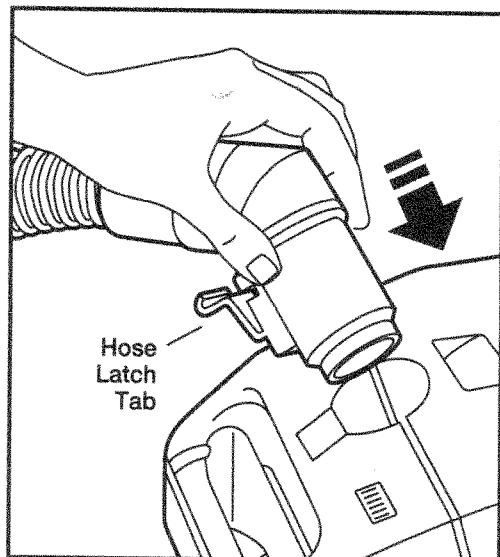
1. Op...
2. Ch...
page...
instru...
3. Ch...
See p...
instru...



HOOD

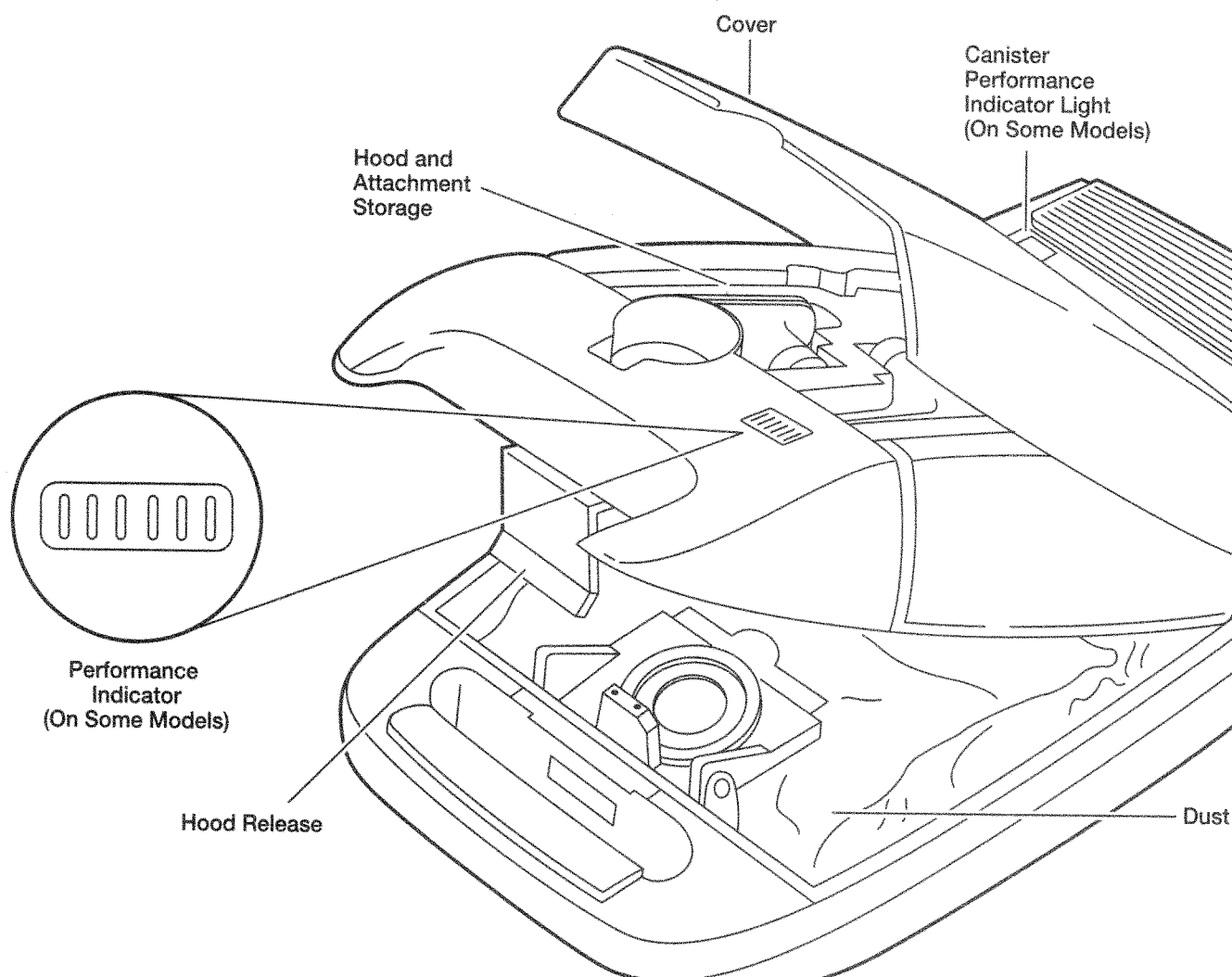
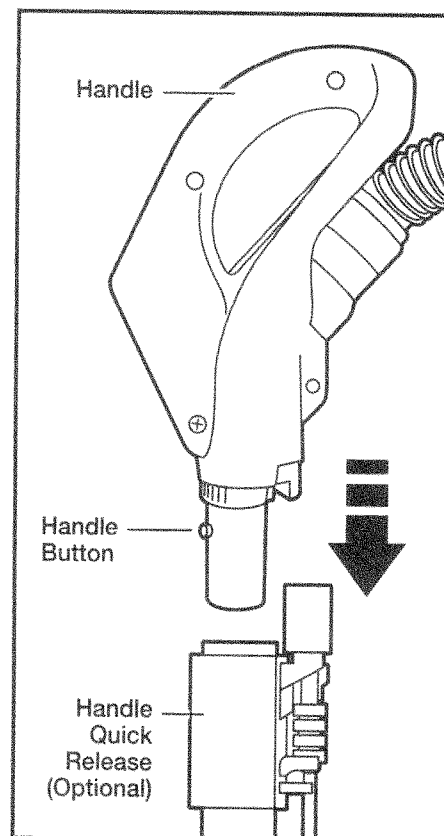
• It is normal for the canister hood to come off when opened further than needed. Line up the hinges, insert them, and close the hood to replace it.

HOSE



1. Insert hose into canister until it snaps in place.

To remove: lift hose latch tab upward and pull up on hose.



USE

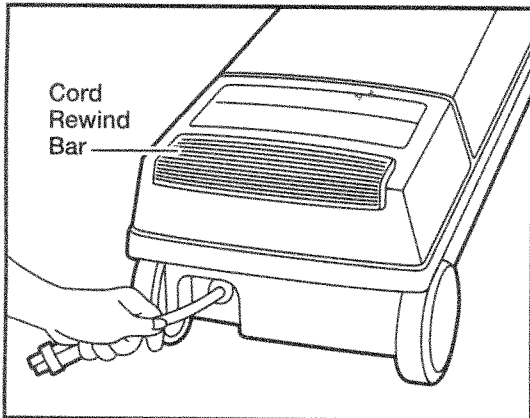
HOW TO START



WARNING

Personal Injury and Product Damage Hazard

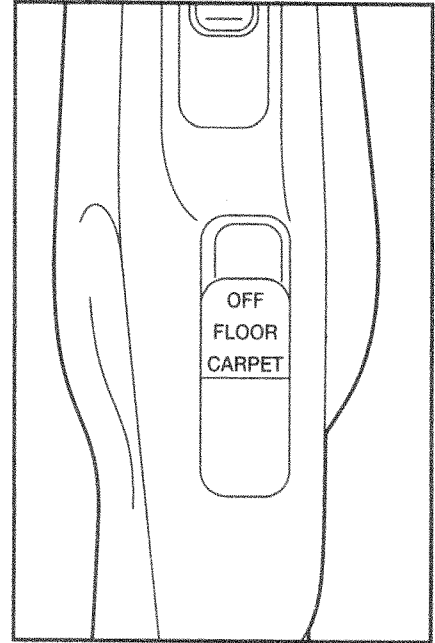
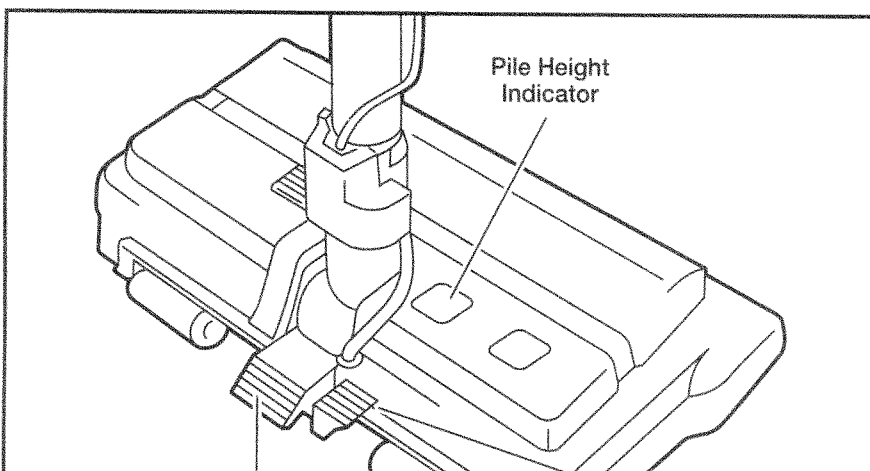
- **DO NOT plug in if switch is in ON position.** Personal injury or damage could result.
- **The cord moves rapidly when rewinding.** Keep children away and provide a clear path when rewinding the cord to prevent personal injury.
- **DO NOT use outlets above counters.** Damage to items in surrounding area could occur.



1. Pull cord out of canister to desired length. The cord will not rewind until the cord rewind bar is pushed.

2. Plug power cord into 120-volt outlet located near the floor.

To rewind: unplug the cleaner. Hold the plug while rewinding to prevent damage or injury from the moving cord. Push cord rewind bar.



OFF

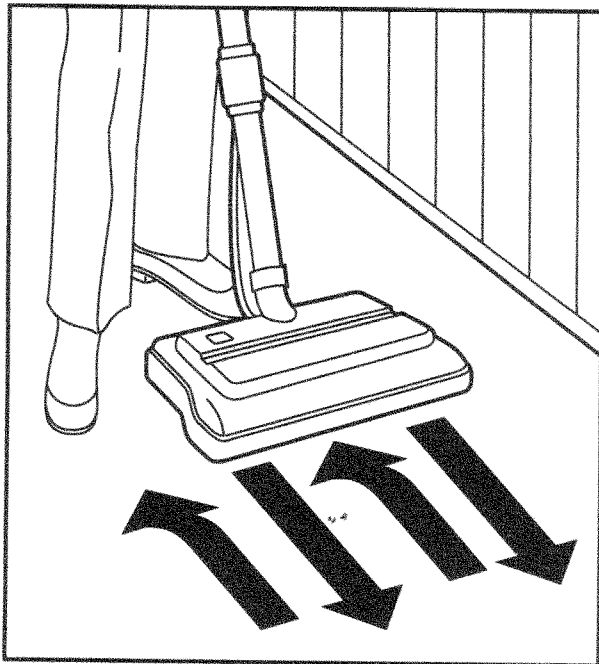
FLOOR – turns on the Canister

CARPET – turns on both the Canister and the POWER-MATE™ motors.

VACUUMING TIPS

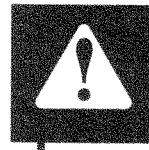
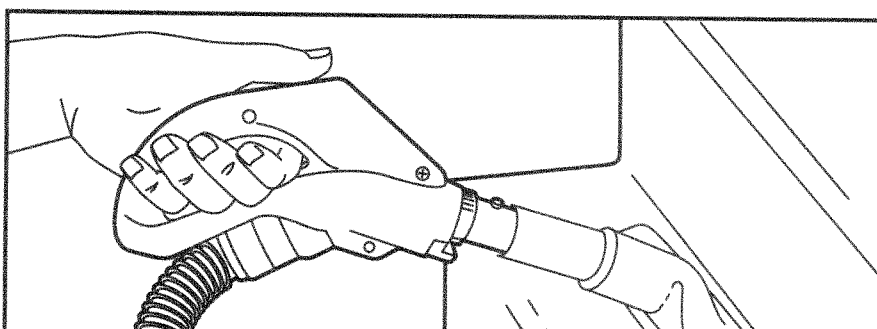
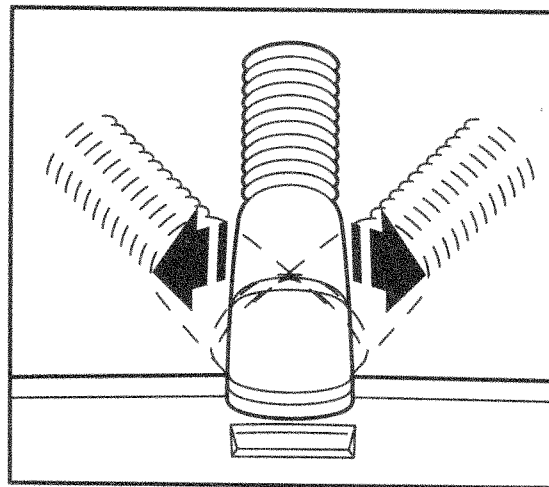
Suggested sweeping pattern.

For best cleaning action, the POWER-MATE™ should be pushed straight away from you and pulled straight back. At the end of each pull stroke, the direction of the POWER-MATE™ should be changed to point into the next section to be cleaned. This pattern should be continued across the rug with slow, gliding motions.



NOTE: Fast, jerky strokes do not provide complete cleaning.

Small areas can be cleaned without moving the canister. The hose swivel allows the hose to turn 360° while the canister stays in place. Check hose for twisting before pulling canister.



WARNING

Personal Injury Hazard
Use care if canister is plugged into outlet to avoid personal injury or property damage.

For best cleaning results, keep the vacuum cleaner open. Check each assembly (see page 11) occasionally for clogs and clean the outlet before checking.

SUGGESTED HEIGHT

For best deep down cleaning, use the following height settings. However, you may need to adjust the height for some jobs easier, (such as deep pile carpets) and to prevent the cleaner from shutting off. S

- XLO** - most carpets and berber
- LO** - low to medium pile.
- MED** - medium to deep pile
- HI** - shag; deep pile; scatter

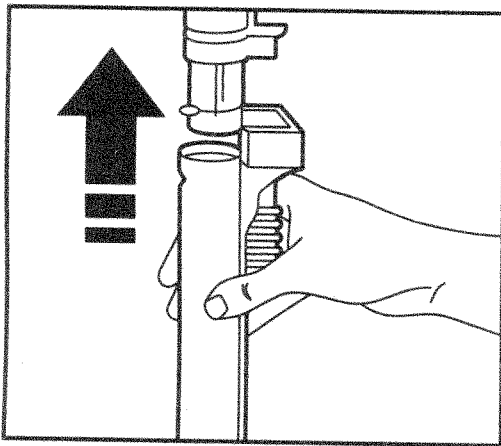
ATTACHMENTS



CAUTION

DO NOT attach or remove handle or wands while cleaner is ON. This could cause sparking and damage the electrical contacts.

ATTACHMENTS ON HANDLE

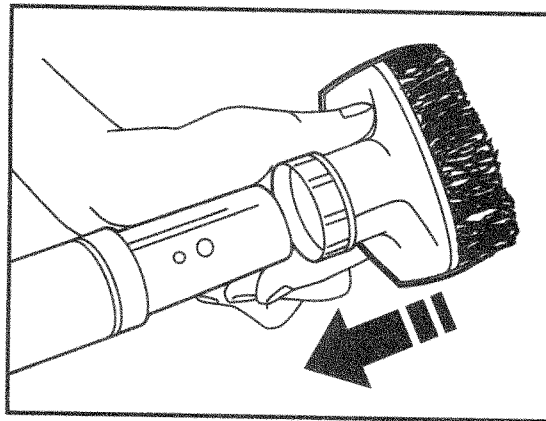


NOTE: If the POWER-MATE™ is attached, turn cleaner OFF before removing handle from wands.




1. Press lock button, then pull to remove handle from wand.

If your model has the optional feature of a handle release, press it in similarly.

2. Slide attachments firmly on handle as needed (See chart on this page.)

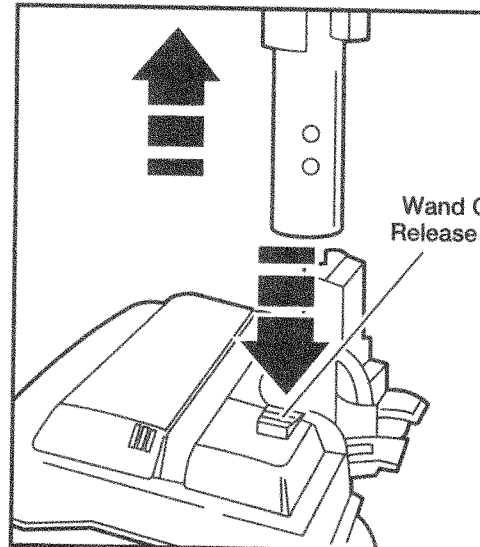


ATTACHMENT USE

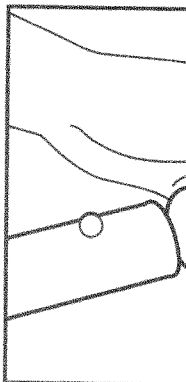
ATTACHMENT	CLEANING AREA					
	Furniture*	Between Cushions*	Drapes*	Stairs	Bare Floors	Carpet Floor
DUSTING BRUSH 	X		X			
CREVICE TOOL 	X	X				
FABRIC BRUSH 	X		X			

ATTACHMENTS ON WAND

1. To remove wands from POWER-MATE™, lock wands in straight-up position.

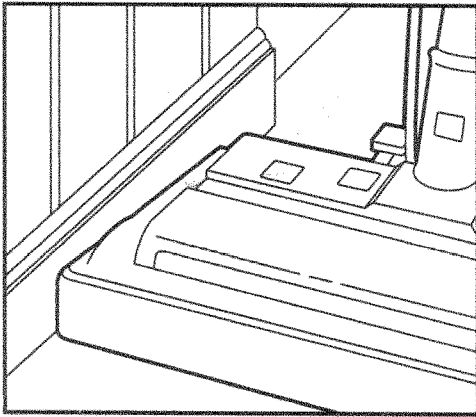


3. Put attachments on wands as needed. (See chart below.)



PERFORMANCE FEATURES

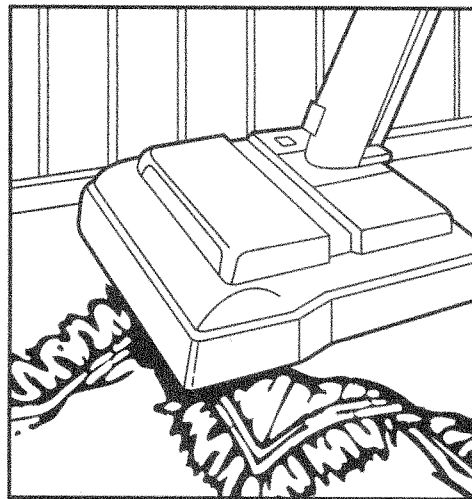
Edge Cleaner



Active brush edge cleaners are on both sides of the POWER-MATE™ Guide either side of the POWER-MATE™ along baseboards or next to furniture to help remove dirt trapped at carpet edges.

Overload Protector

The POWER-MATE™ has built-in protection against motor and belt damage should the brush jam. If the brush slows down or stops, the overload protector button pops up and shuts off the POWER-MATE™. The canister motor will continue to run.



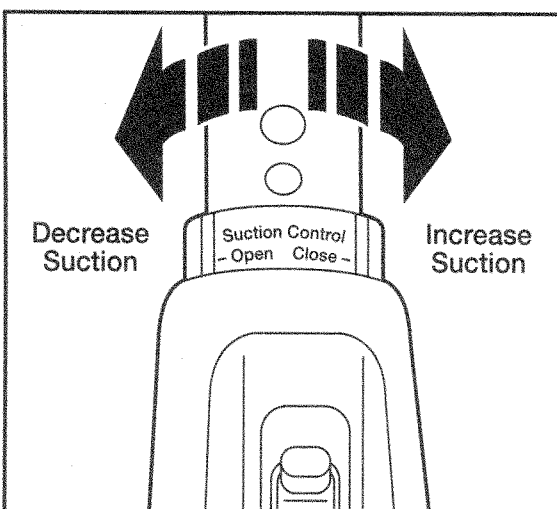
To correct problem:

See the Troubleshooting Chart on page 16.

To reset: Push in the overload protector button.

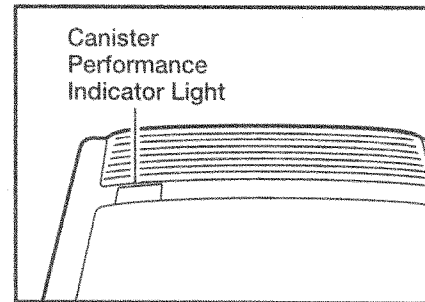
Suction Control

The suction control allows you to change the vacuum suction for different fabric and carpet weights.



Opening the control decreases suction for draperies and lightweight rugs, while closing the control increases suction for upholsteries and carpets.

Canister Performance Indicator On Some Models



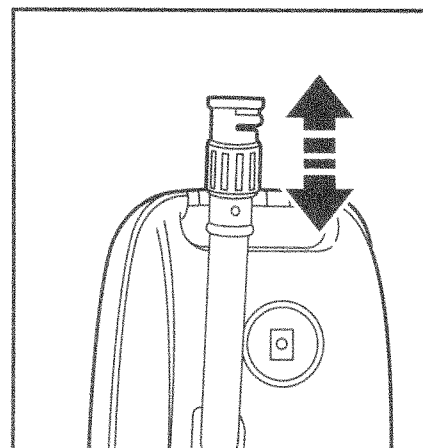
NOTE: The light may also indicate low suction on certain attachments, due to a clogged attachment.

Performance Indicator On Some Models

When the unit is running the lines in the indicator windows will be clear if there are no clogs. When the lines turn completely red there is a need to check the dust bag for being full of the clogged. See page 11.

NOTE: Red lines may appear on attachments while cleaning new carpet air flow by the attachment carpet fuzz filling the bag.

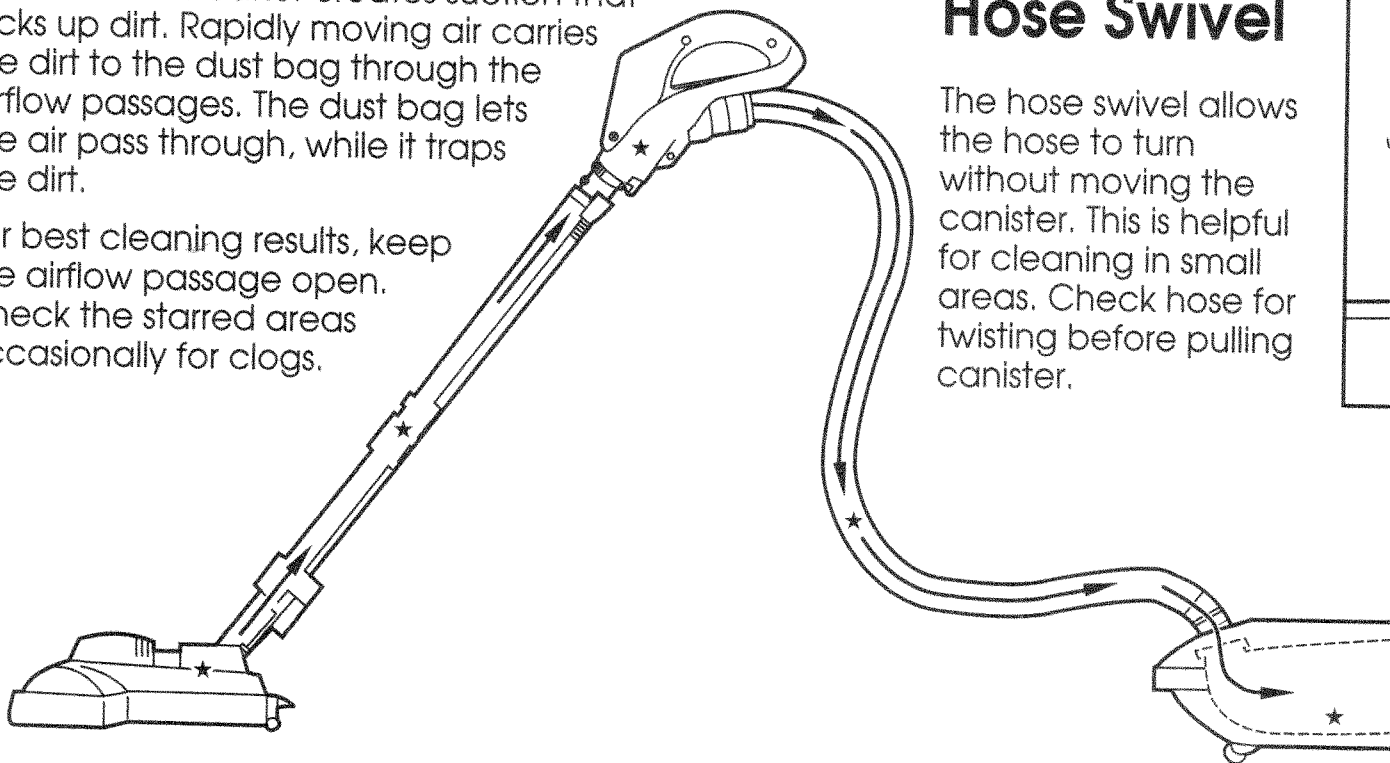
POWER-MATE™ On Some Models



HOW YOUR VACUUM WORKS

The vacuum cleaner creates suction that picks up dirt. Rapidly moving air carries the dirt to the dust bag through the airflow passages. The dust bag lets the air pass through, while it traps the dirt.

For best cleaning results, keep the airflow passage open. Check the starred areas occasionally for clogs.



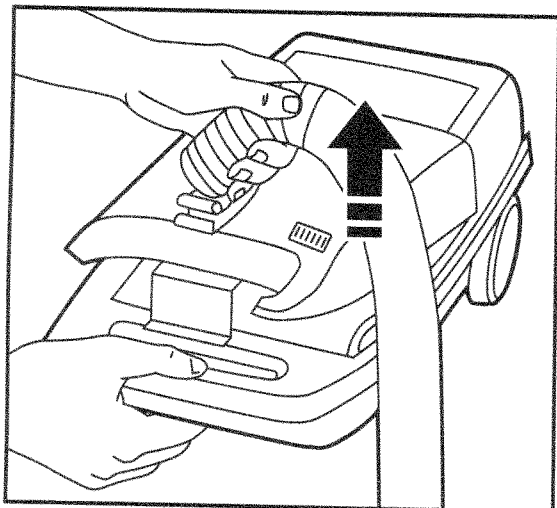
Hose Swivel

The hose swivel allows the hose to turn without moving the canister. This is helpful for cleaning in small areas. Check hose for twisting before pulling canister.

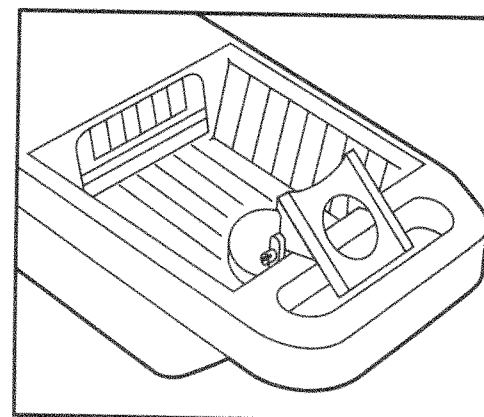
CANISTER CARE

BAG CHANGING

For best cleaning results, the dust bag should be changed often. The performance indicator will come on when the bag needs to be changed or the airflow is blocked.



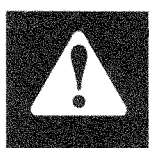
1. Unplug cord from wall outlet.
2. Pull hood release out and up, then lift canister hood.



7. Install bag into slots per illustrations pushing down until the cardboard tab locks into position and the holes align. Tuck the back end of the bag down.
8. Close and latch canister hood.
9. Plug cord into wall outlet.

MOTOR SAFETY FILTER CLEAN

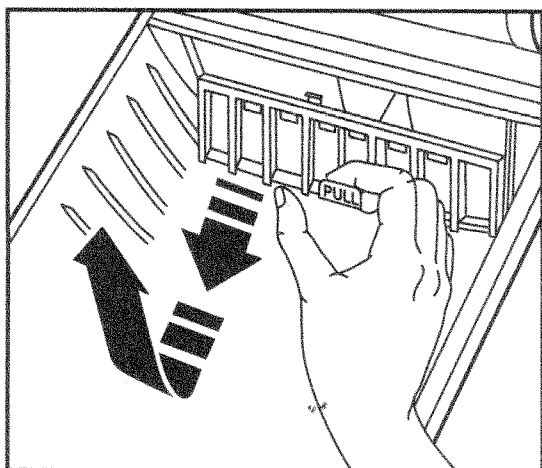
Check motor safety filter occasionally and clean when dirty.



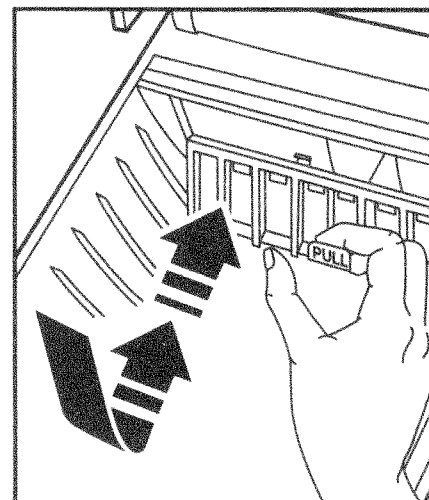
WARNING

Electrical Shock Hazard

Do not operate the cleaner without the motor safety filter. Be sure the filter is dry and properly installed to prevent motor failure and/or electrical shock.



1. Unplug cord from wall outlet and remove bag.
2. Pull out safety filter as shown.



CLEANING EXTERIOR AND ATTACHMENTS

1. Unplug cord from wall outlet. **DO NOT** drip water on cleaner.
2. Clean exterior using a clean, soft cloth that has been dipped in a solution of mild liquid detergent and water, then wrung dry. Wipe dry after cleaning.
3. To reduce static electricity and dust build-up, wipe outer surface of canister and attachments.
4. Wash attachments in warm soapy water, rinse and air dry. **Do not clean in dishwasher.**

DO NOT USE ATTACHMENTS IF THEY ARE WET.

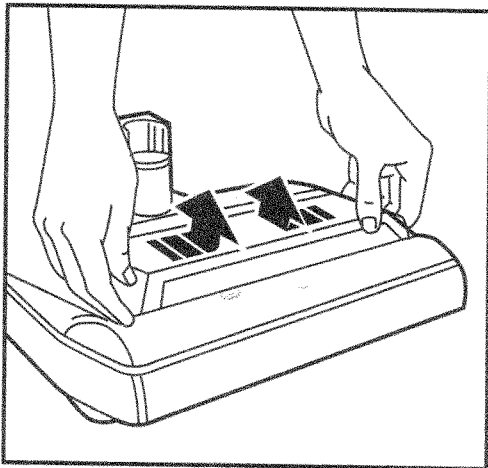


CAUTION

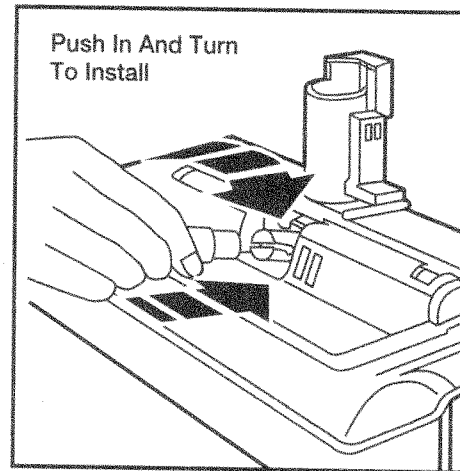
Attachments used in dirt should not be used on a washed. They could lead to

POWER-MATE™ CARE

LIGHT BULB CHANGING



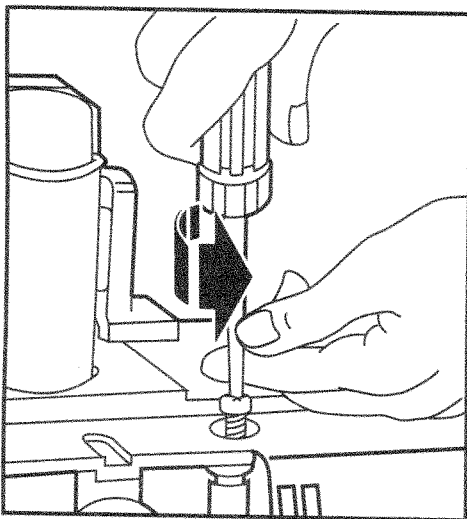
1. Remove light cover by pressing in and lifting both sides as shown.



BELT CHANGING AND BRUSH

Disconnect cleaner from electrical outlet. Check and remove hair, string and lint build-up frequently in the POWER-MATE™ brush and brush support areas. If build-up becomes excessive, disconnect POWER-MATE™ from wand and follow the steps below. Instructions can also be found under the light cover.

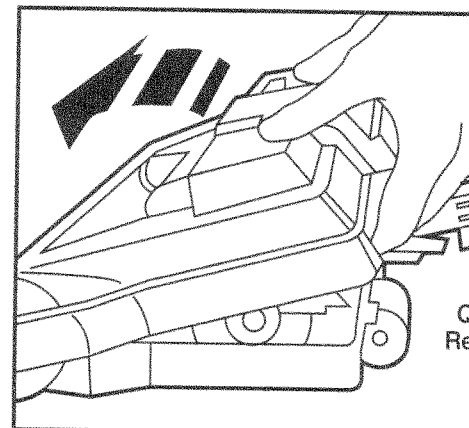
TO REMOVE BELT:



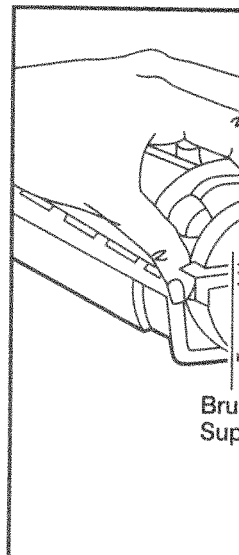
1. Remove light cover and light bulb as shown under "LIGHT BULB CHANGING."

2. Unscrew the POWER-MATE™ cover screws.

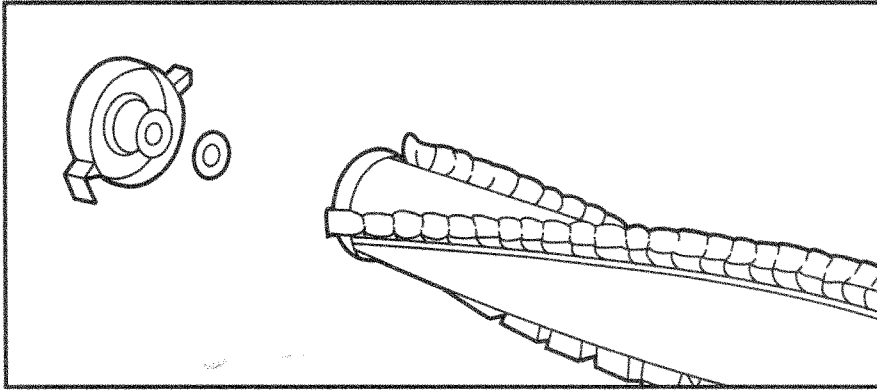
3. Turn POWER-MATE™ over. To remove cover, insert screw-dri-



5. Carefully insert and twist screw-driver at each brush support to free brush from base.

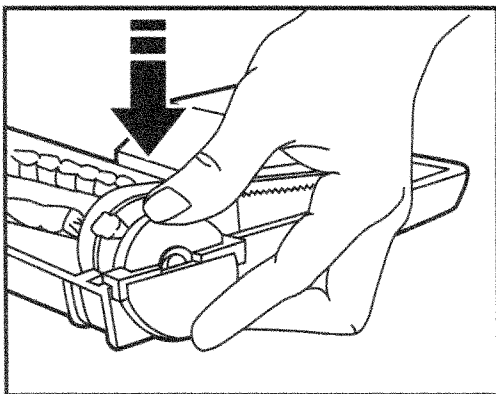
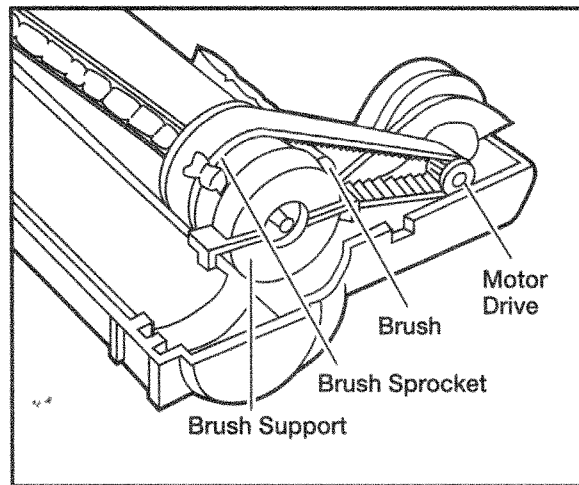


TO REPLACE BELT:



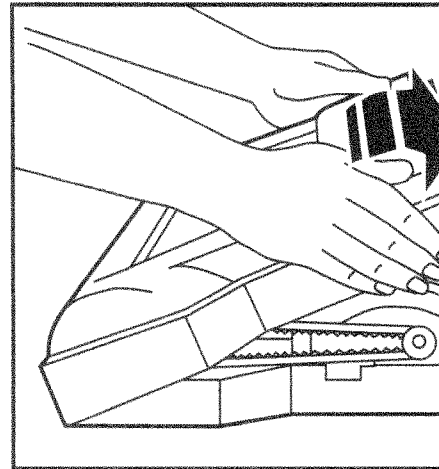
1. Slide washers and brush supports onto brush assembly.

2. Install new belt over motor drive, then over brush sprocket.



3. Snap brush supports into place on base. Be sure brush supports are not upside-down.

4. Line up front of cover and base. Rest cover on front edge of base as shown.



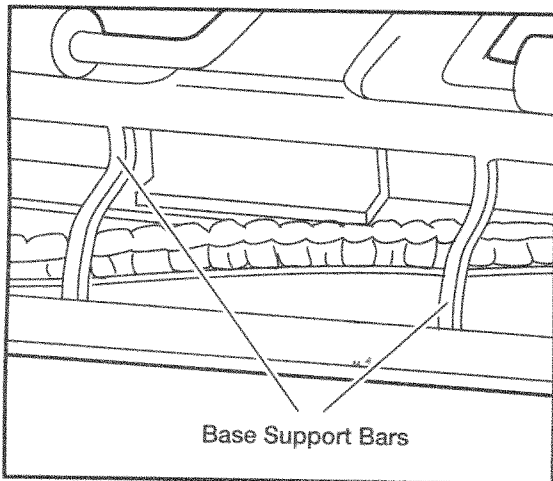
BRUSH SERVICING



WARNING

Electrical Shock Or Personal Injury Hazard
Disconnect electrical supply before servicing or cleaning the unit. Failure to do so can result in electrical shock or personal injury from cleaner suddenly starting.

TO CHECK BRUSH:



- When brushes are worn to the level of the base support bars, replace the brushes.

TO REPLACE BRUSH:

1. Remove POWER-MATE™ cover, belt and brush assembly. (See "To remove belt" in "BELT CHANGING AND BRUSH CLEANING" on page 13.)
2. Remove brush supports, washers, screws, end brush, brush sprocket pieces from ends of brush assembly.

3. Push out worn brushes. If the beater bar is chipped or gouged, replace it.

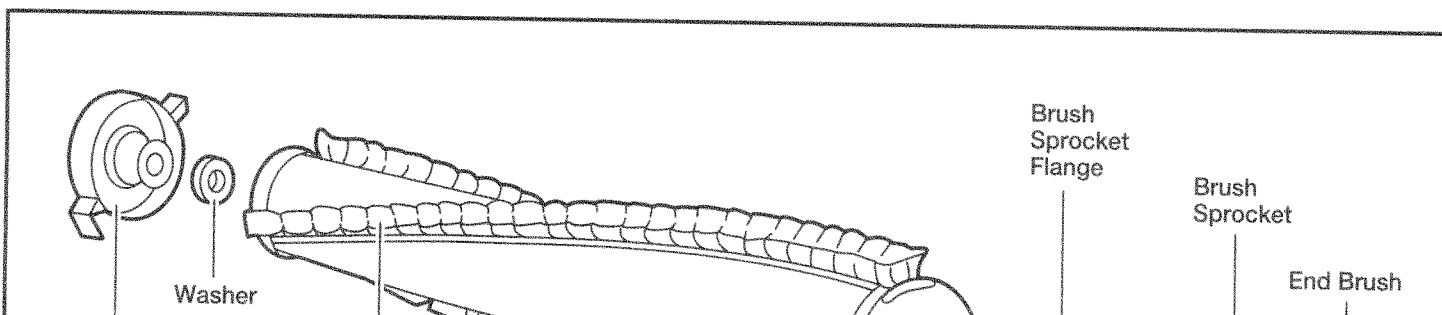
4. Slide new beater bar and brushes into slots.

NOTE: New brush brushes and beater bar may be easier to install if they are soaked in warm water for a few minutes. Dry thoroughly before installing.

5. Reassemble brush assembly in dowel, sprocket and end portion of end brush lines up brush dowel.

6. Replace belt, brush assembly cover, light bulb and light cover belt in "BELT CHANGING AND CLEANING" on page 13.)

BRUSH ASSEMBLY



TROUBLESHOOTING

Review this chart to find do-it-yourself solutions for minor performance problems.



WARNING

Electrical Shock Or Personal Injury Hazard

Disconnect electrical supply before servicing or cleaning the unit. Failure to do so may result in electrical shock or personal injury from cleaner suddenly starting.

PROBLEM	POSSIBLE CAUSE	POSSIBLE SOLUTION
Cleaner won't start.	<ol style="list-style-type: none"> 1. Unplugged at wall outlet. 2. Tripped circuit breaker/blown fuse at household service panel. 3. Loose electrical connections. 4. Tripped Overload Protector in POWER-MATE™ 	<ol style="list-style-type: none"> 1. Plug in firmly. 2. Reset circuit breaker. 3. Reconnect attachments. 4. Clean brush supports (pages 13, 14)
Poor job of dirt pick-up.	<ol style="list-style-type: none"> 1. Full or clogged dust bag 2. Clogged airflow passages. 3. Dirty motor safety filter. 4. Wrong pile height setting. 5. Open suction control. 6. Hole in hose. 7. Worn POWER-MATE™ brushes. 8. Worn or broken belt. 9. Dirty brush or brush supports. 10. Canister hood open. 	<ol style="list-style-type: none"> 1. Change bag 2. Clear airflow passages 3. Clean filter, (page 11) 4. Adjust setting 5. Adjust control 6. Replace hose 7. Change brush supports 8. & 9. See "BELT CHANGING" (pages 13, 14) 10. Close and latch
Cleaner starts but cuts off.	<ol style="list-style-type: none"> 1. Hose or hood electrical connections. 2. Tripped Overload Protector in POWER-MATE™ 3. Tripped Overload Protector in canister. 	<ol style="list-style-type: none"> 1. Check connections at both ends, (pages 13, 14) 2. Remove any debris or jammed, then reset, (page 13) 3. Change dust bag (page 11). Wash and automate
POWER-MATE™ will not run.	<ol style="list-style-type: none"> 1. POWER-MATE™ connections unplugged. 2. Worn or broken belt in POWER-MATE™ 3. Dirty brush or brush supports. 4. Tripped Overload Protector in POWER-MATE™ 	<ol style="list-style-type: none"> 1. Plug in firmly. 2. & 3. See "BELT CHANGING" (page 13). 4. Check brush supports for jamming. Clean and then reset, (page 13)
Performance indicator light on.	<ol style="list-style-type: none"> 1. Full or clogged dust bag. 2. Dirty motor safety filter. 3. Blocked airflow passage. 4. Certain attachment tools. 	<ol style="list-style-type: none"> 1. Change bag 2. Clean filter, (page 11) 3. Clear blockage (page 11). 4. This is normal. Indicator light is removed.



SEAR

SEARS, ROEBUCK AND CO., HOFFMAN ESTATES, IL 60195