

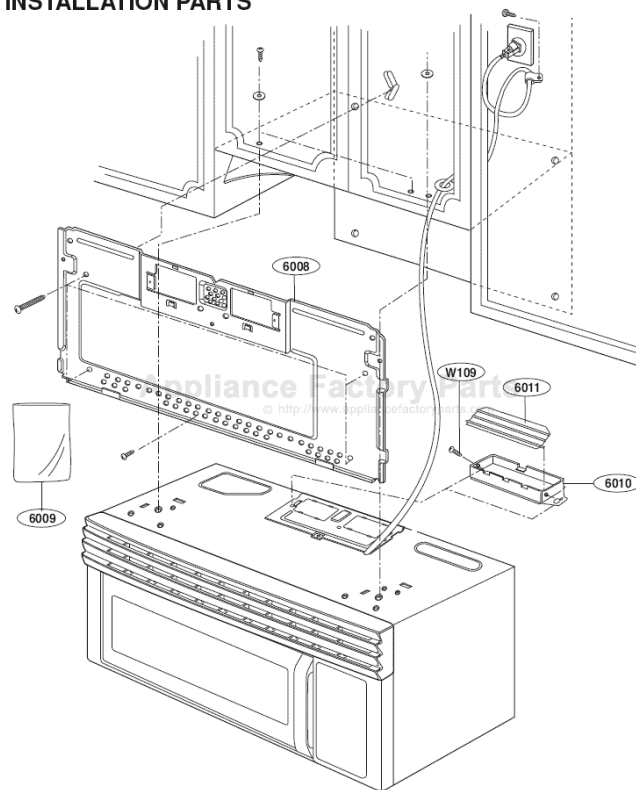
This Owner's Manual is provided and hosted by [Appliance Factory Parts](http://www.ApplianceFactoryParts.com).



Kenmore 80492 Owner's Manual

[Shop genuine replacement parts for Kenmore 80492](#)

INSTALLATION PARTS



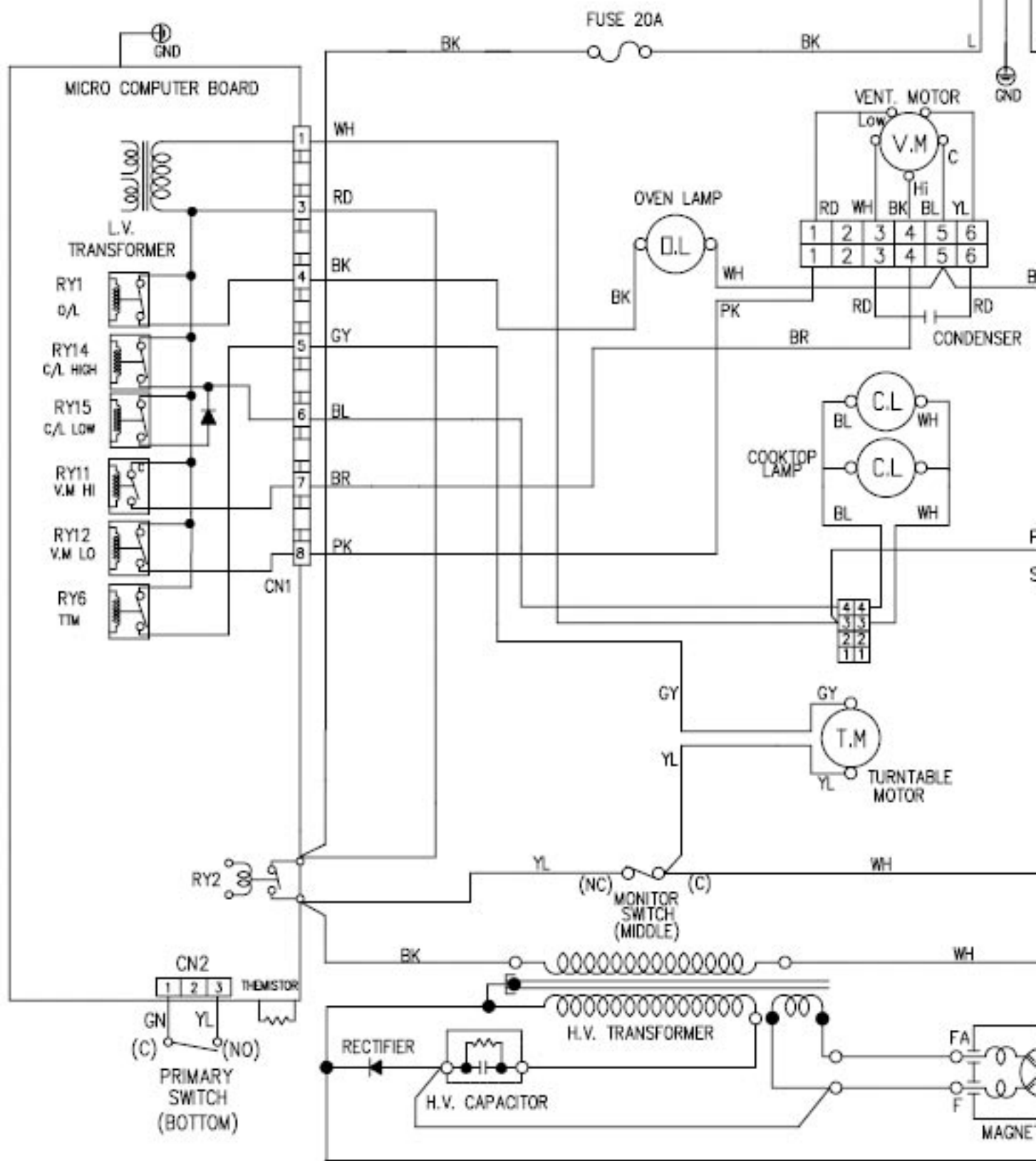
[Find Your Kenmore Microwave Parts - Select From 532 Models](#)

----- Manual continues below -----

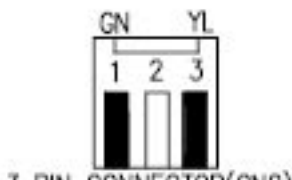
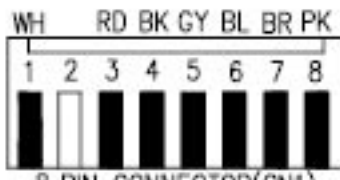
Note

1. DOOR OPENED & COOK OFF MODE.

120 VAC, 60Hz
SINGLE PHASE
ONLY



CONTROL MODULE



WIRE COLORS

SYMBOL	COLOR
WH	WHITE
BK	BLACK
RD	RED
YL	YELLOW
PK	PINK
BL	BLUE
BR	BROWN
GN	GREEN