

This Owner's Manual is provided and hosted by Appliance Factory Parts.



Kenmore 580.54351300 Owner's Manual

[Shop genuine replacement parts for Kenmore
580.54351300](#)



[Find Your Kenmore Dehumidifier Parts - Select From 135 Models](#)

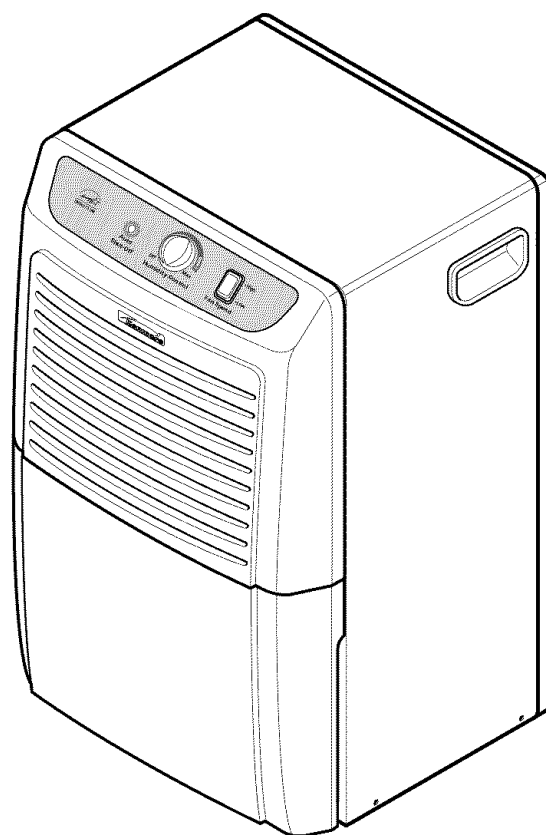
----- Manual continues below -----

Owner's Manual
Manuel del Propietario



DEHUMIDIFIER
DESHUMIDIFICADOR

Model, Modelo 580.54351 35 Pint



ENGLISH

ESPAÑOL

Sears, Roebuck and Co., Hoffman Estates, IL 60179 U.S.A.
www.sears.com

TABLE OF CONTENTS

TABLE OF CONTENTS	2	OPTIONS FOR DISPOSING OF COLLECTED WATER	8
WARRANTY	2	MAINTENANCE	9
SAFETY INSTRUCTIONS	3	Grille and case	9
ELECTRICAL REQUIREMENTS	4	Air filter	9
INSTALLING YOUR DEHUMIDIFIER	5	Cleaning inside the unit	9
Defrost Control Function	5	General cleaning	9
CHOOSING THE PROPER LOCATION	5	Water bucket cleaning	9
AUTOMATIC SHUT OFF	5	TROUBLESHOOTING	10
OPERATION	6	ESPAÑOL	11
Features	6	MASTER PROTECTION AGREEMENTS	23
Control Panel	7	SERVICE NUMBERS	Back cover

WARRANTY

FULL ONE YEAR WARRANTY ON DEHUMIDIFIER

For one year from the date of purchase, if the Dehumidifier is operated and maintained according to the owner's instructions furnished with the product, Sears will repair the Dehumidifier free of charge, if defective in materials or workmanship.

FULL FIVE YEAR WARRANTY ON SEALED REFRIGERATION SYSTEM

For five years from the date of purchase, when this Dehumidifier is operated and maintained according to owner's instructions furnished with the product, Sears will repair the sealed refrigeration system (consisting of refrigerant, connecting tubing, and compressor motor) free of charge, if defective in material or workmanship.

WARRANTY SERVICE IS AVAILABLE BY RETURNING UNIT TO THE NEAREST SEARS SERVICE CENTER IN THE UNITED STATES. CALL 1-800-4-MY-HOME® FOR NEAREST SERVICE CENTER TO YOU.

This warranty applies only while this Dehumidifier is used in the United States.

This warranty gives you specific legal rights, and you may also have other rights which vary from state to state.

Sears, Roebuck and Co., D/817WA, Hoffman Estates, IL 60179 U.S.A.

SAFETY INSTRUCTIONS

IMPORTANT SAFETY INSTRUCTIONS

To reduce the risk of fire, electric shock or injury when using your dehumidifier, the following safety precautions must be followed:

- **Do not place the power cord near a heater.**
It may cause fire and electric shock.
- **Do not use the power cord near flammable gas or combustibles such as gasoline, benzene, thinner, etc.**
It may cause explosion or fire.
- **Do not disassemble or modify products.**
It may cause electric shock and failure.
- **Plug in the power cord properly.**
Otherwise, it may cause electric shock or fire.
- **Do not operate or stop the unit by inserting or pulling out the power plug.**
It may cause electric shock or fire.
- **Do not damage the power cord or use an unspecified power cord.**
It may cause electric shock or fire.
- **Do not modify power cord length.**
It may cause electric shock or fire.
- **Do not share the outlet with other appliances.**
It may cause electric shock or fire.
- **Always plug into a grounded outlet.**
Not grounding unit may cause electric shock.
- **Unplug the unit if strange sounds, odors, or smoke come from it.**
Unplugging the unit may avoid electric shock or fire hazard.
- **Do not use the socket if it is loose or damaged.**
It may cause fire and electric shock.
- **Do not operate with wet hands or in damp environment.**
It may cause electric shock.
- **Ventilate before operating defumidifier when gas goes out.**
It may cause explosion, fire, and burn.
- **Do not clean the dehumidifier with water.**
Water may enter the unit and degrade the insulation. It may cause an electric shock.
- **Unplug unit before cleaning the unit.**
Since the fan rotates at high speed during operation, it may cause injury.
- **If water enters the product, turn off the dehumidifier's power switch, then unplug the unit. Contact service for repair.**
It will cause machine failure or electric shock.
- **Do not block the inlet or outlet.**
It may cause failure of appliance or performance deterioration.
- **Hold the plug by the head when taking it out.**
Otherwise, it may cause electric shock and damage.
- **Turn off the main power switch when not using the dehumidifier for a long time.**
Turning off the unit will save on energy costs.
- **Make sure the dehumidifier is the correct size for the area you want to dehumidify.**
It is not designed to dehumidify the entire house.
- **Install the dehumidifier properly only on a floor.**
For proper operation, your dehumidifier should be installed only on a floor.
- **Close all doors, windows and other outside openings to the room.**
The dehumidifier must be operated in an enclosed area to be most effective.
- **When removing the filter be aware that some metal parts may have sharp edges.**
Sharp edges may cause injury.
- **Use a soft cloth to clean. Do not use wax, thinner, or a strong detergent.**
The appearance of the dehumidifier may deteriorate, change color, or develop surface flaws.
- **Be sure to replace the bucket properly after emptying to prevent water from collecting on the floor.**
Otherwise, it will cause property damage.
- **May not operate if the room temperature is below 65°F(18°C).**
Low temperatures could cause coils to frost.
- **Do not put a pet or house plant where it will be exposed to direct air flow.**
This could injure the pet or plant.
- **Do not use the water collected in the bucket for drinking purposes.**
It is not sanitary and could cause illness or personal injury.
- **Insert the filter securely. Clean it every two weeks.**
Operation without filters will cause unit failure.
- **Do not allow children to play with this product.**

ENGLISH

ELECTRICAL REQUIREMENTS

OBSERVE ALL LOCAL CODES AND ORDINANCES.

DO NOT, UNDER ANY CIRCUMSTANCES, REMOVE THE POWER SUPPLY CORD GROUND PRONG.

ELECTRICAL GROUND IS REQUIRED ON THIS APPLIANCE.

A 115-volt 60 Hz, AC only, 15A fused and properly grounded electrical supply is required. A time delay fuse or time delay circuit breaker is recommended. Use a dedicated circuit, serving only this appliance.

DO NOT USE AN EXTENSION CORD.

RECOMMENDED GROUNDING METHOD

For your personal safety, this appliance must be grounded. This appliance has a power supply cord with a 3-prong grounding plug. To minimize possible shock hazard, the cord must be plugged into a mating grounding type wall receptacle and grounded in accordance with the National Electrical Code (ANSI/NFPA 70) latest edition and all local codes and ordinances. If a mating wall receptacle is not available, it is the personal responsibility and obligation of the customer to have a properly grounded 3-prong wall receptacle installed by a qualified electrician.

⚠ WARNING



Electrical Shock Hazard

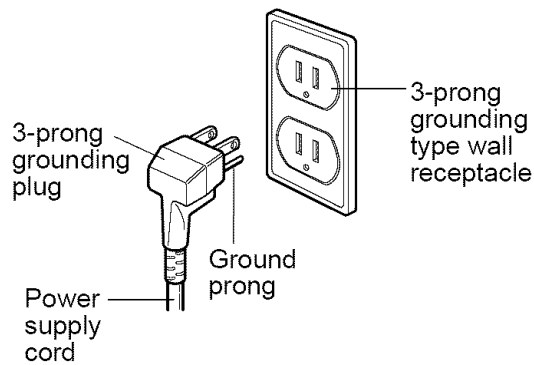
Plug into a grounded 3 prong outlet.

Do not remove ground prong.

Do not use an adapter.

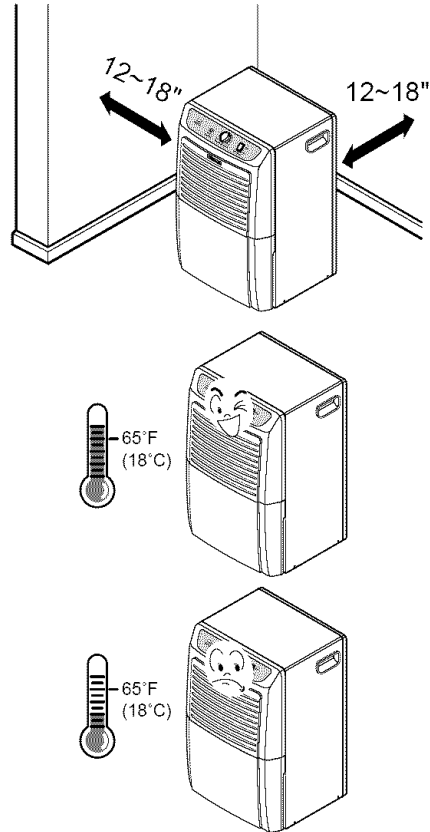
Do not use an extension cord.

Failure to follow these instructions can result in death, fire, or electrical shock.



INSTALLING YOUR DEHUMIDIFIER

- Install the dehumidifier on a level floor strong enough to support the unit with a full bucket of water.
- For best performance, allow at least 12-18 inches of air space on all sides of the unit for good air circulation.
- Keep all outside doors, windows, and other openings closed when operating the dehumidifier. Humid outdoor air will add to the unit's work load.
- Install your dehumidifier in an area where the temperature will not fall below 65°F (18°C) or 42°F(6°C) on the low temperature model. At temperatures below this, the coils can become covered with frost, which may reduce dehumidifying performance.



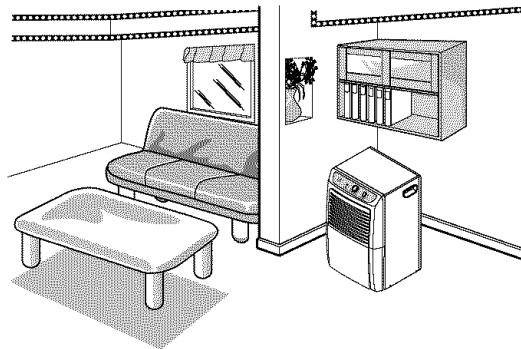
ENGLISH

DEFROST CONTROL FUNCTION

The dehumidifier has a built-in defrost control that senses frost build-up on the evaporator coil, it will automatically shut off the compressor. The fan will continue to run to draw air across the coil and melt the frost. When the coil is defrosted, the compressor will automatically restart and dehumidifying will resume.

CHOOSING THE PROPER LOCATION

- Use the dehumidifier in a basement to help prevent moisture damage.
- Use the dehumidifier in cooking, laundry, bathing, and dishwashing areas that have excessive moisture.
- Use the dehumidifier to prevent moisture damage anywhere books or valuables are stored.



AUTOMATIC SHUT OFF

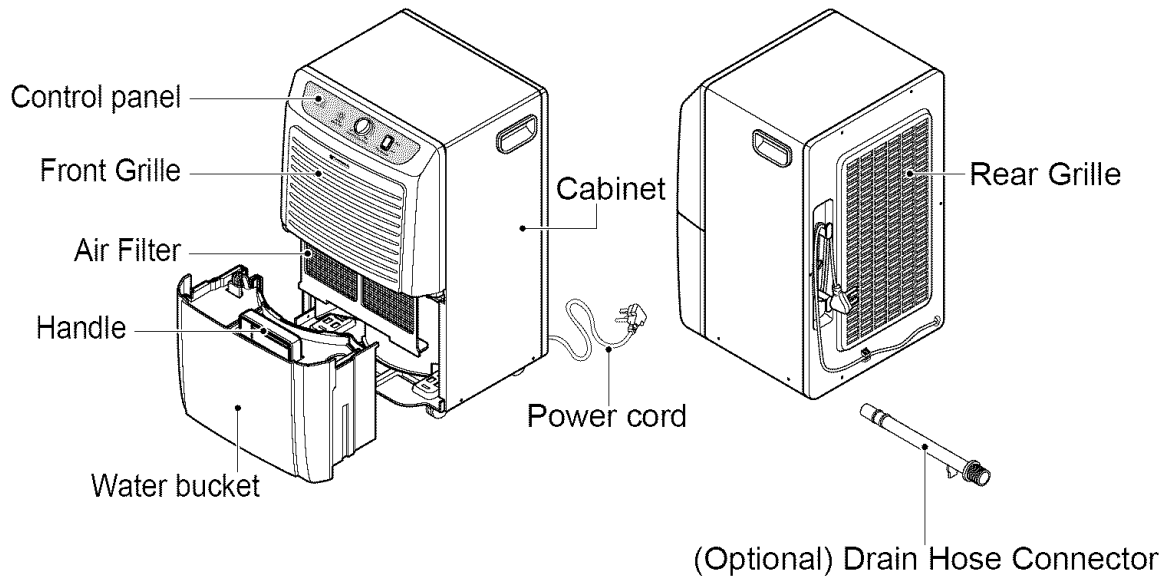
- When the bucket is full, or when the bucket is not in the proper position, the Bucket Full light turns on and the unit automatically shuts off. Also, when bucket is out of position, the unit will beep 3 times.
- **The bucket must be replaced in the proper position for the dehumidifier to work. The light will be on and the dehumidifier will not run if the bucket is not in the proper position.**
- **The dehumidifier will shut off once the desired humidity setting is reached.**

OPERATION

FEATURES

⚠ WARNING

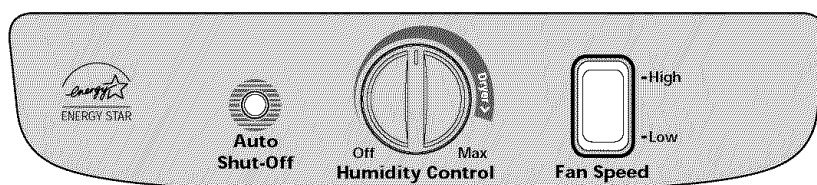
To reduce the risk of fire, electric shock, or injury to persons, read the important SAFETY instructions section before operating this appliance.



SELECTION GUIDE

Room Size (sq-ft)	Moderately Damp	Very Damp	Wet	Extremely Wet
22'x 22'	35 Pt	35 Pt	35 Pt	35 Pt
30'x 30'	35 Pt	35 Pt	50 Pt	50 Pt
30'x 50'	50 Pt	50 Pt	50 Pt	70 Pt
40'x 50'	50 Pt	50 Pt	70 Pt	70 Pt

OPERATION



CONTROL PANEL

The control panel contains an Auto Shut-Off indicator, a Fan Speed and a Humidity Control.

Auto Shut Off--- This light glows when the bucket fills or is missing.

Fan Speed --- This switch controls the speed of the airflow.

Humidity Control--- This knob controls the moisture in the room.

TO OPERATE THE DEHUMIDIFIER:

1. Turn the Humidity Control to Off. Plug the power supply cord into an electrical outlet.
2. The Humidity Control can be set anywhere between Off and Max for normal operation. If you need more dehumidification, turn the Humidity Control toward Max. If you need less dehumidification, turn the Humidity Control toward Off.
3. Turn the Humidity Control to Off to stop the unit manually.
4. If you want to control the speed of air flow, turn the Fan Speed toward Low or High.

ENGLISH

OPTIONS FOR DISPOSING OF COLLECTED WATER

EMPTYING THE BUCKET MANUALLY

1. When the bucket is full, slide it out by grasping the handle and emptying it into a large sink or tub, and then replace it properly. See Figure 1.
2. Empty the bucket when the indicator light turns on.
3. Do not remove the bucket while the dehumidifier is operating. Moving the bucket can cause water to drop on the base pan or the floor.
4. Carry the bucket by supporting it from the bottom as well as by the handle. Carrying by only the handle may cause the handle or bucket cover to break.

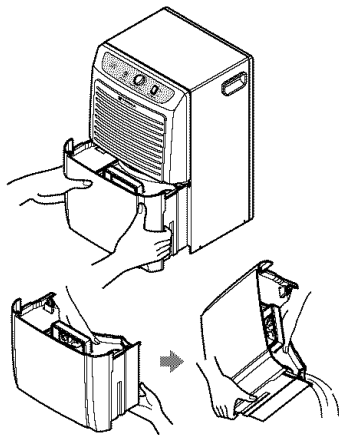


Figure 1

USING A GARDEN HOSE

You have the option of attaching a garden hose to your dehumidifier to drain water later than using the water bucket.

The empty water bucket must still be installed for the dehumidifier to operate.

Attach hose prior to initial operation.

First, remove the drain hole cover on the rear grille. Use needlenose pliers to pull the drain hole cover out. Figure 2.

Next, connect a garden hose to the threaded end of the drain hose connection, being careful not to overtighten the hose.

Slide out the bucket. Look into the dehumidifier drain hole on the rear grill. You will see the stem that the drain hose connector fits into. Push the connector firmly into the stem.

Make sure that the garden hose is not bent or kinked. The hose should lie flat from the dehumidifier to the drain.

When not in use, the drain hose connector can be stored in the water bucket.

Lift the cover off the water bucket and place the connector into the V shape grooves directly below the bucket handle.

An optional drain hose (#9181) is available for purchase through Sears Retail stores.

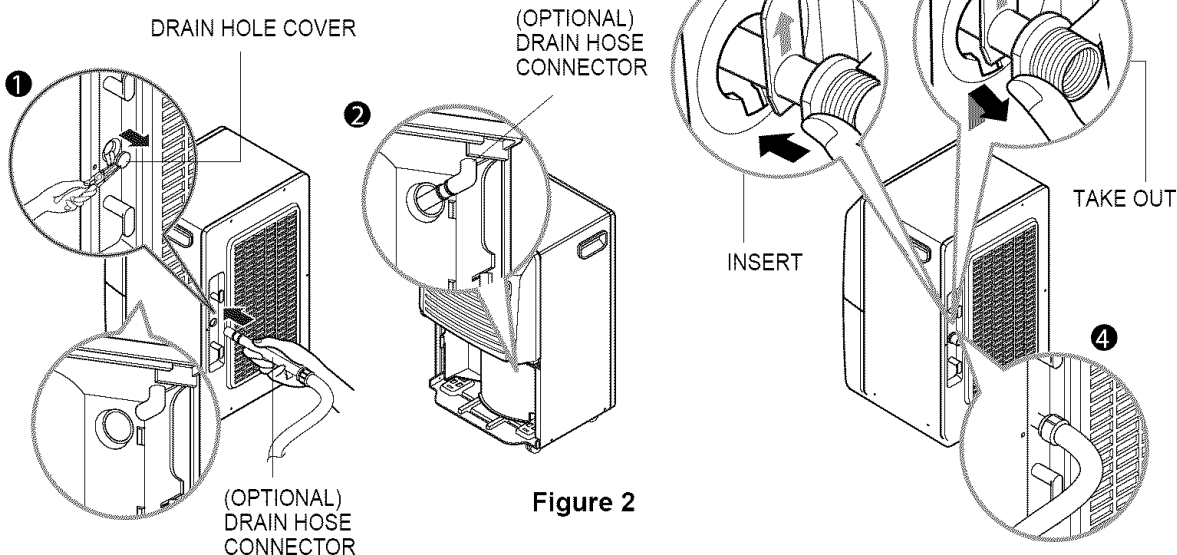


Figure 2

MAINTENANCE

GRILLE AND CASE

To clean the case: Use water and a mild detergent. Do not use bleach or an abrasive cleaner.

To clean the grille: Use a vacuum with an attachment or brush.

AIR FILTER

Check and clean air filter at least every 30 days or more often if necessary.

TO REMOVE:

Remove water bucket from the cabinet. Pull out the air filter as shown above.

Wash air filter with warm water and a mild detergent. Rinse and dry it.

Once dry, replace in unit.

CLEANING INSIDE THE UNIT

After removing the air filter, clean the coil on the inside with a soft brush to remove any soft and wet soil.

Be careful of sharp edges!

NOTE: Do not allow water to enter the electrical/machine compartment through the circular opening behind the coil.

Do not spray the coil with a hose.

GENERAL CLEANING

- Dust the front grille and the side panels with a soft brush or use the dusting attachment of your vacuum.
- If cabinet paint chips, you can touch up the paint with a good grade enamel to prevent rust.

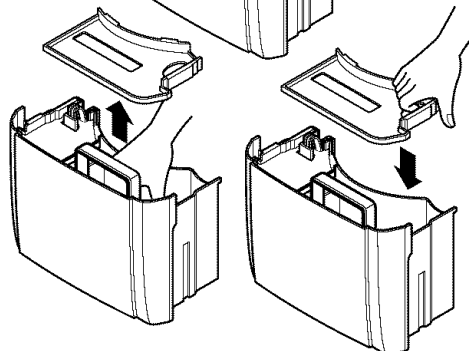
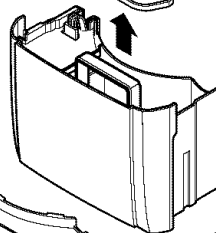
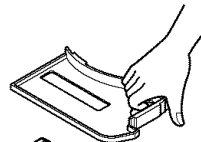
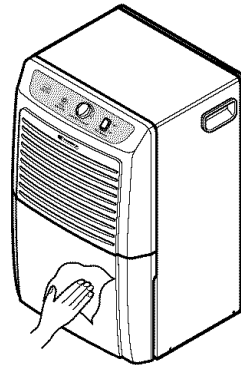
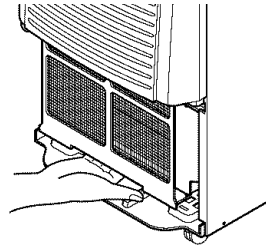
WATER BUCKET CLEANING

- Slide out the bucket.
- Remove bucket cover.
- Put the cover back on the bucket.
- Bucket should be cleaned every few weeks.

⚠ WARNING

Electrical Shock Hazard

- Disconnect power supply cord from receptacle before performing any maintenance.
- Be careful when cleaning the coils. Fins are sharp.



ENGLISH

TROUBLESHOOTING



The dehumidifier may be operating abnormally when:

Problem	Possible Causes	What To Do
Dehumidifier does not start	■ The dehumidifier power cord is unplugged.	• Make sure the dehumidifier plug is pushed completely into the outlet.
	■ The fuse is blown or circuit breaker is tripped.	• Check the house fuse or circuit breaker box and replace the fuse or reset the breaker.
	■ Water bucket is full.	• The dehumidifier automatically turns off when this occurs. Empty the bucket.
	■ Bucket is not installed.	• Make sure the bucket is in the right place.
Dehumidifier does not dry the air as it should	■ Did not allow enough time to remove the moisture.	• When first installed, allow at least 3 or 4 days to achieve and maintain the desired dryness.
	■ Airflow is restricted.	• Make sure there are no curtains, blinds or furniture blocking the front or back of the dehumidifier.
	■ The humidity control may not be set high enough.	• Turn the humidity control knob closer to the Max position.
	■ Doors and windows may not be closed tightly.	• Check that all doors, windows and other openings are securely closed.
	■ Clothes dryer may be blowing moisture-laden air into the room.	• Install the dehumidifier away from the dryer. The dryer should be vented to the outside.
	■ Room temperature is too low.	• The unit may not operate efficiently if the room temperature is below 65°F (18°C).
Dehumidifier seems to run too much	■ Area to be dehumidified is too large.	• Refer to Selection Guide on page 6.
	■ Doors and windows are open.	• Close all doors and windows to the outside.
Frost appears on the coils	■ Dehumidifier has recently been turned on. Room temperature is below 65°F (18°C).	• This is normal. Frost will usually disappear within 60 minutes. • Ensure room temperature is at the minimum of 65°F (18°C) for proper operation.
Water on floor	■ Drain hose connection may be loose.	• Check the hose if one is attached.
	■ Water bucket is out of position.	• Ensure bucket is properly positioned.

Get it fixed, at your home or ours!

Your Home

For repair – **in your home** – of **all** major brand appliances, lawn and garden equipment, or heating and cooling systems, **no matter who made it, no matter who sold it!**

For the replacement parts, accessories and owner's manuals that you need to do-it-yourself.

For Sears professional installation of home appliances and items like garage door openers and water heaters.

1-800-4-MY-HOME® (1-800-469-4663)

Call anytime, day or night (U.S.A. and Canada)

www.sears.com www.sears.ca

Our Home

For repair of carry-in items like vacuums, lawn equipment, and electronics, call or go on-line for the location of your nearest **Sears Parts & Repair Center.**

1-800-488-1222

Call anytime, day or night (U.S.A. only)

www.sears.com

To purchase a protection agreement (U.S.A.) or maintenance agreement (Canada) on a product serviced by Sears:

1-800-827-6655 (U.S.A.)

1-800-361-6665 (Canada)

Para pedir servicio de reparación a domicilio, y para ordenar piezas:

1-888-SU-HOGARSM
(1-888-784-6427)

Au Canada pour service en français:

1-800-LE-FOYER^{MC}
(1-800-533-6937)
www.sears.ca

SEARS