

This Owner's Manual is provided and hosted by [Appliance Factory Parts](#).



RTA International JDS032-CG Owner's Manual

[Shop genuine replacement parts for RTA International
JDS032-CG](#)



[Find Your RTA International Patio Heater Parts - Select From 22 Models](#)

----- Manual continues below -----



OWNER'S MANUAL

Tabletop Heater

Safety First!
*Read and become familiar
with this entire manual.*



1-888-775-1330

Please retain this manual for reference

Distributed by:
RTA International
Youngtown, AZ 85363



OWNER'S MANUAL

TABLE OF CONTENTS

● Read These Safety Instructions.....	1
● Contents Breakdown.....	2
● Screw Packing List.....	3
● Assembly Procedure.....	3
● Assembly.....	4
● Safety First.....	7
● Tabletop Heater Location.....	8
● Checking For Leaks.....	8
● Before Operating.....	8
● Operating.....	9
● After Operating.....	11
● Maintenance.....	11
● Storage.....	11
● Troubleshooting.....	12

All rights reserved. No part of this manual may be reproduced, transmitted, stored in a retrieval system, or translated into any language in any form by any means, mechanical, optical, electronic, recording, or otherwise without the written permission of Changzhou Gardensun Furnace Co. , Ltd.

Changzhou Gardensun Furnace Co. , Ltd. Reserves the right to revise this manual and to make changes to any or all parts at any time, without obligation to notify any person or entify of such revision and changes.

Copyright © 2006, Changzhou Gardensun Furnace Co. , Ltd.
2006 Edition the front page



OWNER'S MANUAL

READ THESE SAFETY INSTRUCTIONS

If you smell gas:

- Shut off gas to the appliance.
- Extinguish any open flame.
- Open lid.
- If odor continues, immediately call your Gas supplier or your life Department.

WARNING

Failure to comply with these instructions could result in a fire or explosion that could cause serious bodily injury, death, or property damage.

ATTENTION

- Only to be used outdoors.
- Warning: Accessible parts may be very hot. Keep young children away.
- Turn off the gas supply at the gas container after use.
- Any modification of the appliance may be dangerous.

FOR YOUR SAFETY

- Gas leaks may cause a fire or explosion can cause serious bodily injury or death, or damage to property.
- You must follow all leak checking procedures operating this unit.
- Never use an open flame to check for leaks.

WARNING

Do not store or use gasoline or other flammable vapors or liquids in the vicinity of this or any other appliance.

Danger Carbon monoxide hazard

1. This appliance can produce carbon monoxide which has no odor.
2. Using it in an enclosed space can kill you.
3. Never use this appliance in an enclosed space as camper, tent, car or home.

- Do NOT touch or move heater for at least 45 minutes after use.
- Dome is hot to the touch.
- Allow dome to cool before touching.



OWNER'S MANUAL

Item No.	Item	Qty.	Item No.	Item	Qty.
1	M6 Castle nut	3	11	Burner	1
2	Reflector	1	12	3/16" bolt	4
3	Ø6mm Washer	3	13	M5×10mm bolt	1
4	Emitter screen	1	14	Tank Housing	1
5	Guard	1	15	Igniter button	1
6	Door Plate	1	16	Control knob	1
7	Base	1	17	Handle	1
8	Cast Iron	1	18	Regulator	1
9	M6×15mm bolt	4	19	60mm pin	3
10	3/16" bolt	4	20	M6 flange nut	3

SCREW PACKAGING LIST

Item	Qty.	Item	Qty.
M6 Castle nut	3	M5×10mm bolt & M5 nut	1
Ø6mm Washer	6	60mm pin	3
M6×15mm bolt	4	M6 flange nut	3
3/16" bolt	8	Wrench	1

ASSEMBLY PROCEDURE

Tools needed: (not included)

- Adjustable opening wrench (2) 20 cm long
- Slip joint pliers 23 cm long
- Philips screwdriver w/medium blade
- Teflon plumbing tape for joints



OWNER'S MANUAL

ASSEMBLY

STEP 1



1-1. Take out all the parts of the tabletop Heater.
1-2. Aim the cast iron at the holes on the base.

STEP 2



2-1. Use 4pcs M6X15mm bolts to fix the tank housing to the base & cast iron.
2-2. Tighten the bolts as above show.

STEP 3



3-1. Put the burner on the tank housing then fix them with 4pcs 3/16" bolts.

STEP 4

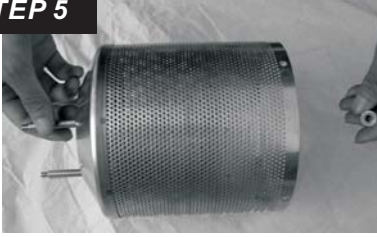


4-1. Fix the regulator to the tank housing with the M5X10mm bolt & M5 nut.



OWNER'S MANUAL

STEP 5



5-1. Fix 3pcs pins of 60mm length to the emitter screen with 3pcs M6 flange nuts then tighten them.

STEP 6



6-1. Put the emitter screen on the burner.
6-2. Use 4pcs 3/16" bolts to connect the emitter screen to the burner. Tighten the bolts.

STEP 7



7-1. Put the guard on the burner through the emitter screen.
7-2. Put the ends of the guard into the holes of the burner.

STEP 8



8-1. Put 3pcs washers on each pins of the 60mm length.



OWNER'S MANUAL

STEP 9



9-1. Put the reflector through the pins and on the washers.

STEP 10



10-1. Fasten the reflector with 3pcs M6 Castle nuts.

STEP 11



11-1. Turn off the control knob of the burner.
11-2. Fix the 1.02Lbs gas tank (not included) to the regulator (rotate the gas tank clockwise toward the regulator until tighten it).

STEP 12



12-1. Close the door plate and lock it with the handle (rotate the handle 90 degree).



SAFETY FIRST

Read and become familiar with this entire manual, especially the following precautions.

Caution: this appliance is for outdoor use only(outside any enclosure)
Always make sure there is fresh air ventilation.

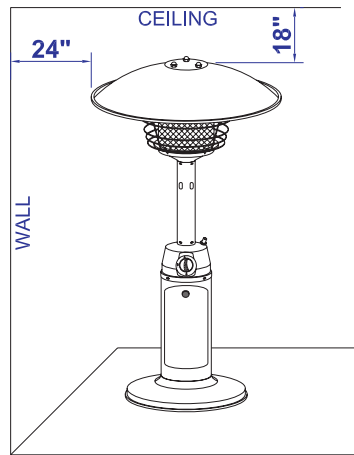
- Use only outdoors in a well-ventilated space, never use in a building, garage or any other enclosed area.
- Always maintain at least 18"clearance(top)and 24"clearance (side) from combustible materials.
- Always place heater on a hard and level surface.
- Do not use if the wind velocity is greater than 10 miles per hour.
- Unit will operate at reduced efficiency below 40°F (5°C) .
- Keep sprinklers and other water sources away from burner and controls.
- Always use extreme caution when near heater. Alert both children and adults to the hazards of high temperatures , especially to avoid burns or clothing catching fire.
- Young children and pets should be carefully supervised when they are in the area of heater.
- Do not place clothing or other flammable materials either on or near heater.
- Any guard or other protective device removed for servicing the heater must be replaced prior to operating the heater.
- Certain materials or items, when stored under heater, will be subjected to radiant heat and could be seriously damaged.
- Do not alter heater in any manner.
- The pressure regulator and hose assembly supplied with the appliance must be used and replacements must be those specified by the manufacturer.
- Inspect heater before each use. If a damaged part is detected, do not operate until an original equipment replacement part has been properly installed. Use of unauthorized parts will void warranty and create an unsafe condition.
- Do not attempt to use this appliance without a functional factory-supplied gas regulator in place. If regulator becomes damaged, use only a factory-supplied replacement.
- Prior to operating heater, replace any guards or protective devices removed for servicing.
- During operation, do not touch burner assembly. The surface of heater's emitter can reach temperatures approaching 1600°F.
- After shutdown, do not touch burner assembly until heater has cooled(approximately 45 minutes after use).



OWNER'S MANUAL

TABLETOP HEATER LOCATION

- The tabletop heater is primarily for outdoor use only. Always ensure that adequate fresh air ventilation is provided.
- Always maintain proper clearance to combustible materials, i.e. top 45 cm(18") and sides 60 cm(24") minimum.
- Tabletop heater must be located on a stable and strong table.
- Never operate heater in an explosive atmosphere like in areas where gasoline or other flammable liquids or vapors are stored.



CHECKING FOR LEAKS

Make 1-2 oz. of leak solution by mixing one part liquid dishwashing soap and 3parts water.

Spoon several drops(or use squirt bottle) of the solution onto the regulator/canister connections.

Inspect the connections and look for bubbles.

If NO bubbles appear, the connection is safe.

If bubbles appear, there is a leak:

- Loosen and re-tighten this connection.
- Re-check for a leak.

If you continue to see bubbles after several attempts, disconnect propane source.

BEFORE OPERATING

- I am familiar with entire owner's manual and understand all precautions noted in "Safety First".
- All components are properly assembled, intact and operable.
- No alterations have been made.
- All gas connections are secure and do not leak.
- Wind velocity is below 10 mph.
- Outdoor temperature is greater than 40 degrees F.
- Heater is outdoors (outside any enclosure).
- There is adequate fresh air ventilation.
- Heater is away from gasoline or other flammable liquids or vapors.
- Heater is away from windows, air intake openings, sprinklers and other water sources.
- Heater is at least 18 "clearance (top) and 24" clearance (side) from combustible materials.



OWNER'S MANUAL

- Heater is on a hard and level surface.
- There are no signs of spider or insect nests.
- All burner passages are clear.
- All air circulation passages clear.
- Children, pets, clothing, flammable materials and items that can be damaged from radiant heat are away from the heater.
- Children and adults in the area have been alerted to the high temperature hazards: especially burns and clothing fires.
- Children and adults in the area have been warned not to touch heater near emitter during operation and until unit has cooled.

OPERATION

Inspect the visible portion of the hose before each use of the appliance. Inspect the entire hose assembly at least annually.

Before Turning Gas Supply ON

Your heater was designed and approved for **OUTDOOR USE ONLY**. DO NOT use it inside a building, garage or any other enclosed area.

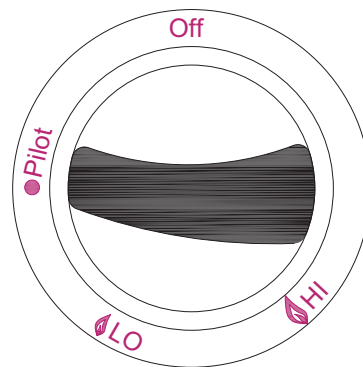
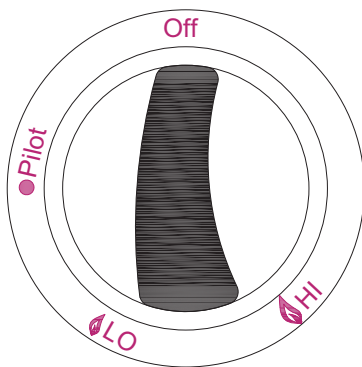
Make sure surrounding areas are free of combustible materials, gasoline, and other flammable liquids.

- Ensure that there is no obstruction to air ventilation.
- Be sure all gas connections are tight and there are no leaks
- Be sure the access panel is clear of debris.
- Be sure any component removed during assembly or servicing is replaced prior to starting.

Before Lighting

Heater should be thoroughly inspected before each use, and by a qualified service person at least annually.

If relighting a hot heater, always wait at least 5 minutes for gas to dissipate.





Lighting

1. Turn Gas control knob to "Off" position.
 2. Push in and rotate the Control Knob to "Pilot" position. Depress igniter button.
 3. Once burner is lit, hold Control Knob in for at least 30 seconds and release.
 4. If burner does not stay lit, turn to "Off" position and wait 5 minutes and repeat 2 and 3.
 5. Once burner is lit, rotate Knob to desired heating level (LO: low ; HI: high).
- If you experience any ignition problem, turn off the heater and gas supply, and consult "Troubleshooting" on page 12.

Caution

Avoid inhaling fumes emitted from the heater's first use. Smoke and odor from the burning of oils used in manufacturing will appear. Both smoke and odor will dissipate after approximately 30 minutes. The heater should NOT produce thick black smoke.

Note: The burner may be noisy when initially turned on. To eliminate excessive noise from the burner, turn the Control Knob to the LOW position. Then, turn the knob to the level of heat desired.

When heater is ON:

Emitter screen will become bright red due to intense heat. The color is more visible at night.

Burner will display tongues of blue flame. These flames should not be yellow or produce thick black smoke, indicating an obstruction of airflow through the burners.

If yellow flame is detected, turn off heater and gas supply and consult "Troubleshooting".

Re-lighting

Note: For your safety, Control Knob cannot be turned "Pilot" without first depressing Control Knob in "Off" position and then rotating to "Pilot".

1. Turn Gas Control Knob to "Off".
 2. Wait 5 minutes to let gas dissipate before attempting to relight burner.
 3. Repeat the "Lighting" Steps 2 and 3.
1. Rotate Gas Control Knob to "Off" position. Normally, burner will make a slight popping sound when extinguished.
 2. Remove Door Plate.
 3. Unscrew gas line from regulator.
 4. Close Door Plate. Note: After use, some discoloration of the emitter screen is normal.



OWNER'S MANUAL

AFTER OPERATING

- Gas control is in OFF position.
- Disconnect Gas line.
- Heater is upright in a secure location.

MAINTENANCE

- To enjoy years of outstanding performance from your heater, make sure you perform the following maintenance activities on a regular basis: Inspect the visible portion of the hose before each use of the appliance. Inspect the entire hose assembly at least annually.
- Air flow must be unobstructed. Keep controls, burner, and circulating air passageways clean. Signs of possible blockage include: Gas odor with extreme yellow tipping of flame. Heater does NOT reach the desired temperature. Heater glow is excessively uneven.
- Heater makes popping noises. Spiders and insects can nest in burner or orifices. This dangerous condition can damage heater and render it unsafe for use. Clean burner holes by using a heavy-duty pipe cleaner.
- Compressed air may help clear away smaller particles.
- Carbon deposits may create a fire hazard. Clean dome and emitter with warm soapy water if any carbon deposits develop.

Note : In a salt-air environment(such as near an ocean), corrosion occurs more quickly than normal.

- Frequently check for corroded areas and repair them promptly.
- Keep exterior surfaces clean.

STORAGE

Between uses:

- Turn Control Knob OFF.
- Disconnect LP source.
- Store heater upright in an area sheltered from direct contact with inclement weather(such as rain, sleet, hail, snow, debris).

If desired, cover heater to protect exterior surfaces and to help prevent build up in air passages.

Note: Wait until heater is cool before covering.

During periods of extended inactivity or when transporting:

- Turn Control Knob OFF.
- Disconnect LP source and move to a secure, well-ventilated location outdoors.
- Store heater upright in an area sheltered from direct contact with inclement weather (such as rain, sleet, hail, snow, dust and debris).

If desired, cover heater to protect exterior surfaces and to help prevent build up in passages.



OWNER'S MANUAL

TROUBLESHOOTING

PROBLEM

PROBABLE CAUSE

SOLUTION

Pilot will not light

Tank fuel empty	Replace LPG tank
Opening blocked	Clean or replace opening
Air in supply system	Purge air from lines
Loose connections	Check all fittings

Pilot will not stay on

Debris around pilot	Clean dirty area
Loose connections	Tighten connections
Thermocouple bad	Replace thermocouple
Gas leak in line	Check connections
Lack of fuel pressure	Tank near empty. Replace LPG tank.

Burner will not light

Pressure is low	Tank near empty. Replace LPG tank.
Opening blocked	Remove and clean
Control not ON	Turn valve to ON
Thermocouple bad	Replace thermocouple
Pilot light assembly bent	Place pilot properly
Not in correct location	Position properly and retry