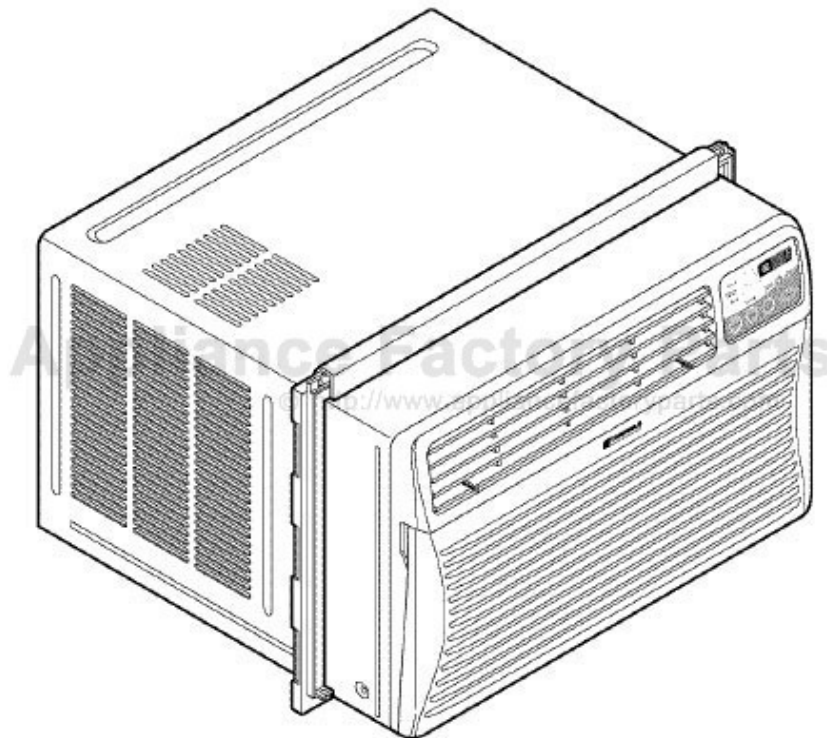


This Owner's Manual is provided and hosted by [Appliance Factory Parts](#).



Kenmore 580.75251000 Owner's Manual

[Shop genuine replacement parts for Kenmore
580.75251000](#)



[Find Your Kenmore Air Conditioner Parts - Select From 261 Models](#)

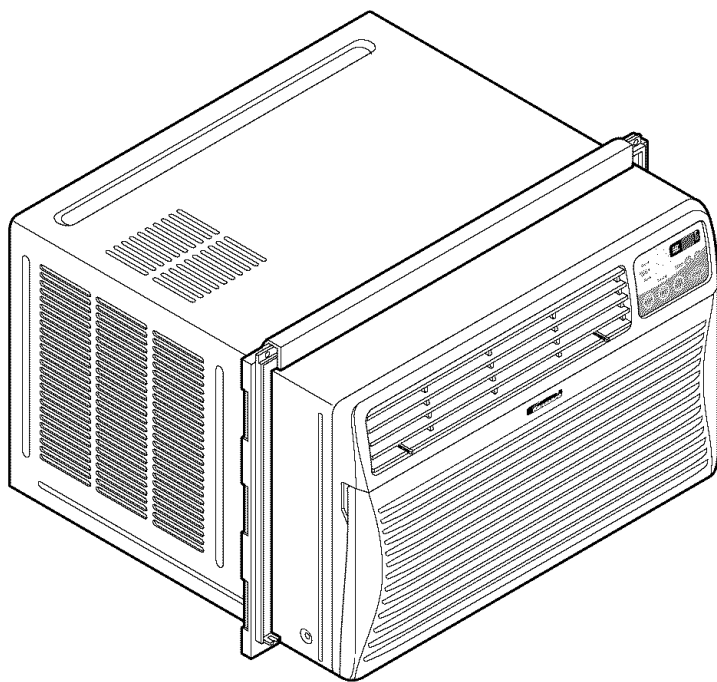
----- Manual continues below -----

Owner's Manual
Manual del Propietario



ROOM AIR CONDITIONER
ACONDICIONADOR DE AIRE DE VENTANA

Model, Modelo 580. 75251



ENGLISH

ESPAÑOL

Sears, Roebuck and Co., Hoffman Estates, IL 60179 U.S.A.
www.sears.com

TABLE OF CONTENTS

TABLE OF CONTENTS	2	Features	10
WARRANTY	2	Using the Air Conditioner	10
SAFETY	3	Display	11
Important Safety Instructions	3	Remote Control	12
ELECTRICAL REQUIREMENTS	4	MAINTENANCE	13
INSTALLING THE POWER CORD	4	Air Filter Cleaning	13
INSTALLATION	5	Air Conditioner Cleaning	13
Installation Requirements	5	How to Remove the Front Grille	13
Installation	6	How to Replace the Front Grille	13
How to Install	6	TROUBLESHOOTING	14
Removal from Window	8	Before Calling for Service	14
OPERATION	9	ESPAÑOL	15
How and Why	9	MASTER PROTECTION	
Normal Sounds	9	AGREEMENTS	31
Capacity and Running Time	9	SERVICE NUMBERS	Back Cover

WARRANTY

FULL ONE YEAR WARRANTY ON ROOM AIR CONDITIONER

For one year from the date of purchase, when this air conditioner is operated and maintained for normal room cooling according to the instructions in this owner's manual, Sears will repair this air conditioner, free of charge, if defective in material or workmanship.

FULL FIVE-YEAR WARRANTY ON SEALED REFRIGERATION SYSTEM

For five years from the date of purchase, when this air conditioner is operated and maintained for normal room cooling according to the instructions in this owner's manual, Sears will repair the sealed refrigeration system (consisting of refrigerant, connecting tubing, and compressor), free of charge, if defective in material or workmanship.

WARRANTY SERVICE IS AVAILABLE BY CONTACTING SEARS SERVICE AT 1-800-4-MY-HOME®.

Warranty coverage applies only to air conditioners used for non-commercial, private household purposes.

This warranty applies only while this product is in use in the United States.

This warranty gives you specific legal rights, and you may also have other right which vary from state to state.

**Sears, Roebuck and Co., D/817WA,
Hoffman Estates, IL 60179 U.S.A.**

SAFETY

IMPORTANT SAFETY INSTRUCTIONS

The safety instructions below will tell you how to use your room air conditioner to avoid harm to yourself or damage to your ROOM AIR CONDITIONER.

⚠ WARNING FOR YOUR SAFETY

Do not store or use gasoline or other flammable vapors and liquids in the vicinity of this or any other appliance. Read product labels for flammability and other warnings.

⚠ WARNING PREVENT ACCIDENTS

To reduce the risk of fire, electrical shock, or injury to persons when using your air conditioner, follow basic precautions, including the following:

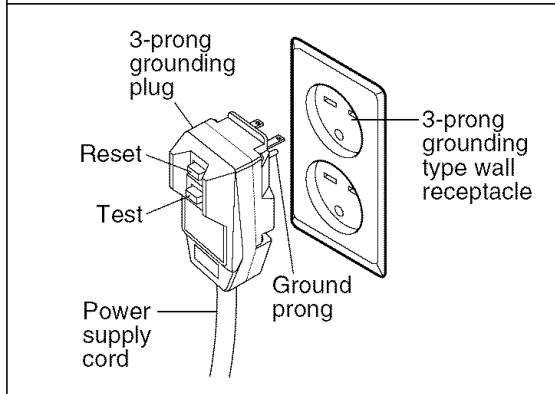
- Be sure the electrical service is adequate for the model you have chosen.
- If the air conditioner is to be installed in a window, you will probably want to clean both sides of the glass first. If the window is a triple-track type with a screen panel included, you may want to remove the screen completely before installation.
- Be sure the air conditioner has been securely and correctly installed according to the separate installation instructions provided with this manual. Save this manual and installation instructions for possible future use in removing or reinstalling this unit.
- Use gloves when handling the air conditioner. Be careful to avoid cuts from sharp metal fins on front and rear coils.

⚠ WARNING ELECTRICAL INFORMATION

The complete electrical rating of your new room air conditioner is stated on the serial plate. Refer to the rating when checking the electrical requirements.

- Be sure the air conditioner is properly grounded. To minimize shock and fire hazards, proper grounding is important. The power cord is equipped with a three-prong grounding plug for protection against shock hazards.
- Your air conditioner must be plugged into a properly grounded wall receptacle. If the wall receptacle you intend to use is not adequately grounded or protected by a time delay fuse or circuit breaker, have a qualified electrician install the proper receptacle.
- Do not run air conditioner with a protective covering. This could result in mechanical damage within the air conditioner.
- **Do not use an extension cord or an adapter plug.**

⚠ WARNING Avoid fire hazard or electric shock. Do not use an extension cord or an adapter plug. Do not remove any prong from the power cord.



ENERGY SAVING IDEAS

- The capacity of the room air conditioner must fit the room size for efficient and satisfactory operation.
- Install the room air conditioner on the shady side of your home. A window that faces north is best because it is shaded most of the day.
- Do not block air conditioner flow inside with blinds, curtains, or furniture, or outside with shrubs, enclosures, or other buildings.
- Close the floor and wall registers and the fireplace damper so cool air does not escape up the chimney or into the duct work.
- Keep blinds and drapes in other windows closed during the sunniest part of the day.
- Clean the air filter as recommended in the MAINTENANCE section of this manual.
- Proper insulation and weather stripping in your home will help keep warm air out and cool air in.
- External house shading with trees, plants or awnings will help reduce the air conditioner's work load.
- Operate heat producing appliances such as ranges, washers, dryers, and dishwashers during the coolest part of the day.

ENGLISH

ELECTRICAL REQUIREMENTS

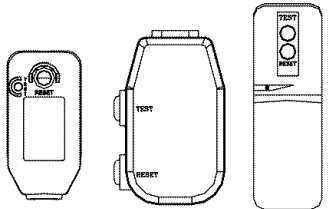
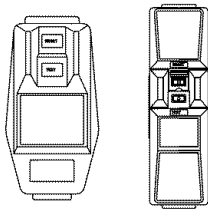
OBSERVE ALL LOCAL CODES AND ORDINANCES. DO NOT, UNDER ANY CIRCUMSTANCES, REMOVE THE POWER SUPPLY CORD GROUND PRONG. ELECTRICAL GROUND IS REQUIRED ON THIS APPLIANCE.

For 230/208 volt 60 Hz, AC only, 15A fused and properly grounded electrical supply is required. A time delay fuse or time delay circuit breaker is recommended. Use a dedicated circuit, serving only this appliance.




DO NOT USE AN EXTENSION CORD.

RECOMMENDED GROUNDING METHOD


For your personal safety, this appliance must be grounded. This appliance has a power supply cord with a 3-prong grounding plug. To minimize possible shock hazard, the cord must be plugged into a mating grounding type wall receptacle and grounded in accordance with the National Electrical Code (ANSI/NFPA 70) latest edition and all local codes and ordinances. If a mating wall receptacle is not available, it is the personal responsibility and obligation of the customer to have a properly grounded 3-prong wall receptacle installed by a qualified electrician.

115V~	230V~	
		Power cord may include a current interrupter device. A test and reset button is provided on the plug case. The device should be tested on a periodic basis by first pressing the TEST button and then the RESET button. If the TEST button does not trip or if the RESET button will not stay engaged, discontinue use of the air conditioner and contact a qualified service technician.

NOTE: The shape may be different according to its model.

Use Wall Receptacle	Power Supply
 Standard 125V, 3-wire grounding receptacle rated 15A, 125V AC	Use 15 AMP. time delay fuse or 15 AMP. circuit breaker.
 Standard 250V, 3-wire grounding receptacle rated 15A, 250V AC	
 Standard 250V, 3-wire grounding receptacle rated 20A, 250V AC	Use 20 AMP. time delay fuse or 20 AMP. circuit breaker.

⚠ WARNING



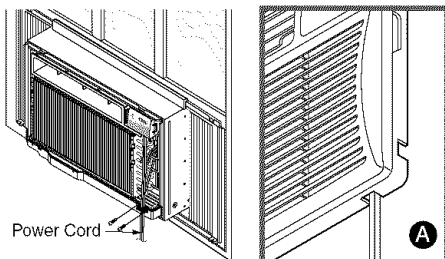
Electrical Shock Hazard
 Plug into a grounded 3 prong outlet.
 Do not remove ground prong.
 Do not use an adapter.
 Do not use an extension cord.
 Failure to follow these instructions can result in death, fire, or electrical shock.

INSTALLING THE POWER CORD

You can choose between two methods below according to your window sill shape and preference.

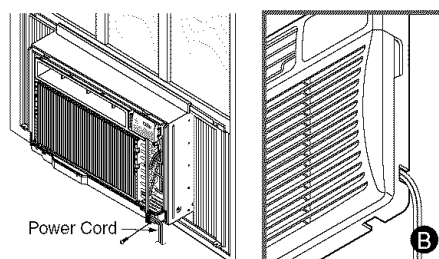
USING SLIT "A"

Fasten the stopper using 2 screw holes, and lead out the power cord through slit "A".



USING SLIT "B"

Fasten the stopper using left screw hole, and rotate properly to lead the power cord out through slit "B".

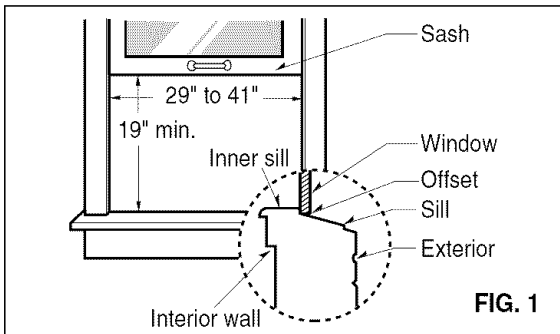


INSTALLATION

INSTALLATION REQUIREMENTS

Your air conditioner will install into standard double hung windows with actual clear opening widths of 29 to 41 inches (737mm to 1041mm) (FIG. 1)

Lower sash must open sufficiently to allow a clear vertical opening of 19 inches (483mm). Side louvers and the rear of the air conditioner must have clear air space to allow enough airflow through the condenser for heat removal. The rear of the unit must be outdoors, not inside a building or garage.



ELECTRICAL SERVICE

Check your available electrical service. The power supply available must be the same as that shown on the unit nameplate (found on right side of cabinet).

All models are equipped with a 3-prong service plug to provide proper service and safe positive grounding. Do not change plug in any way. Do not use an adapter plug. If your present wall outlet does not match your plug, call a qualified electrician to make the necessary corrections.

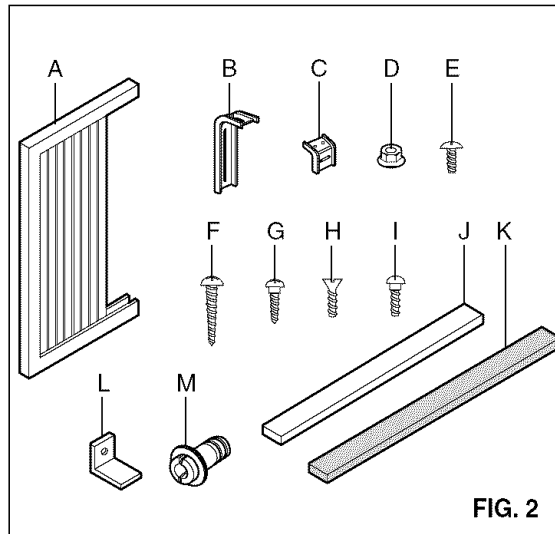
SAVE CARTON and this OWNER'S MANUAL for future reference. The carton is the best way to store unit during winter or when not in use.

CAUTION

To avoid risk of personal injury, property damage, or product damage due to the weight of this device and sharp edges that may be exposed:

- Air conditioners covered in this manual pose an excessive weight hazard. Two or more people are needed to move and install the unit. To prevent injury or strain, use proper lifting and carrying techniques when moving unit.
- Carefully inspect location where air conditioner will be installed. Be sure it will support the weight of the unit over an extended period of time.
- Handle air conditioner with care. Wear protective gloves whenever lifting or carrying the unit. AVOID the sharp metal fins of front and rear coils.
- Make sure air conditioner does not fall during installation.

INSTALLATION HARDWARE



ITEM	NAME OF PARTS	Q'TY
A	SIDE CURTAIN	2
B	SUPPORT BRACKET	2
C	SILL BRACKET	2
D	LOCK NUT	4
E	SCREW: 25/64"	11
F	SCREW: 13/16"	7
G	SCREW: 9/16"	5
H	M-SCREW	2
I	CARRIAGE BOLT	2
J	FOAM SEAL	1
K	FOAM STRIP	1
L	WINDOW LOCKING BRACKET	1
M	DRAIN PIPE	1

REQUIRED TOOLS:

- Tight Fitting gloves
- Standard screwdriver
- Phillips screwdriver
- Pliers
- Sharp knife
- 3/8-inch open end wrench or adjustable wrench
- 1/4-inch hex socket and ratchet
- Tape measure
- Electric drill
- 1/4-inch drill bit

ENGLISH

INSTALLATION

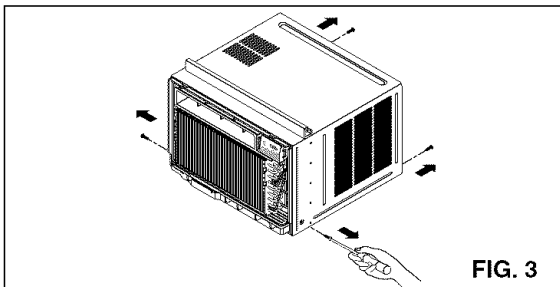
INSTALLATION

Pick a location which will allow you to blow the cold air into the area you want. Windows used for installation must be strong enough to support the weight of the air conditioner. Good installation with special attention to the proper position of the unit will lessen the chance that service will be needed. When cooling more than one room, installation location is very important. To cool your rooms, cold air must be blown from the air conditioner in a straight path. Lastly it is advised to save the shipping carton for future storage of the unit.

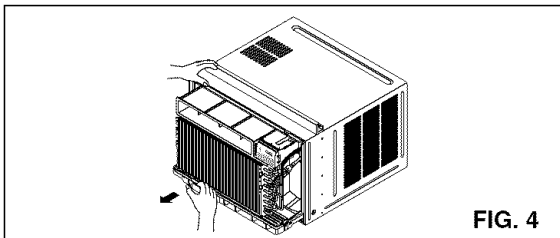
HOW TO INSTALL

If the air conditioner is blocked by a storm window frame, see step 16 on page 8 before beginning to install.

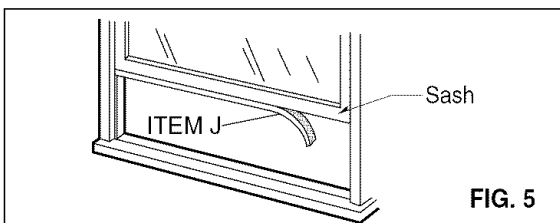
1 Remove the screws which fasten the cabinet at the back and side of the unit. Save side screws. Discard back screws.



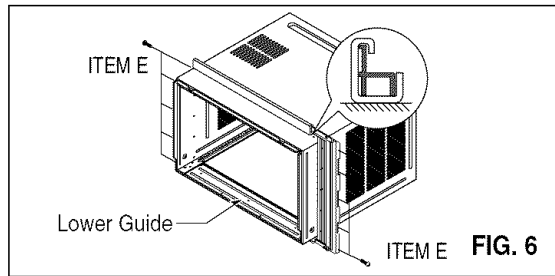
2 Slide the unit out of the cabinet by gripping the base pan handle and pull forward while bracing the cabinet.



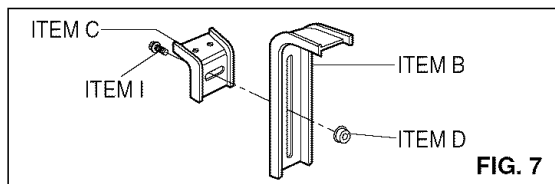
3 Cut the FOAM SEAL (ITEM J) to fit the underside of the window sash. Peel off the backing and attach the FOAM SEAL as shown in Fig. 5.



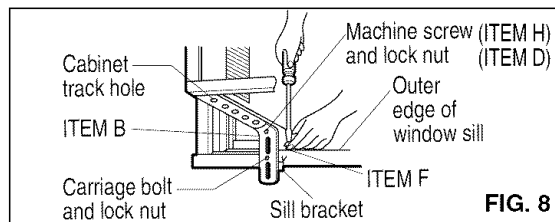
4 Insert the side curtains (ITEM A) into the upper guide and lower guide on each side of the air conditioner cabinet. Fasten the curtains to the unit with screws (ITEM E).



5 Open the window. Mark a line on the center of the window inner sill. Loosely attach the sill bracket (ITEM C) to the support bracket (ITEM B) using the carriage bolt (ITEM I) and the lock nut (ITEM D).

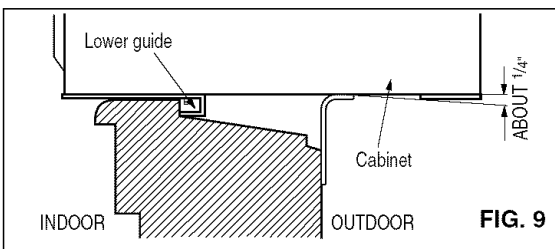


6 Attach the sill bracket to the window sill using the screws (ITEM F). Carefully place the cabinet on the window inner sill and align the center of the cabinet front with the center line marked on the window inner sill.



7 Using the M-screw (ITEM H) and the lock nut (ITEM D), attach the support bracket to the cabinet track hole. Use the first track hole as shown. Tighten the carriage bolt and the lock nut. Be sure the cabinet slants downward 1/4" from level.

CAUTION: Do not drill a hole in the base pan. The unit is designed to operate with approximately 1/2" of water in base pan.

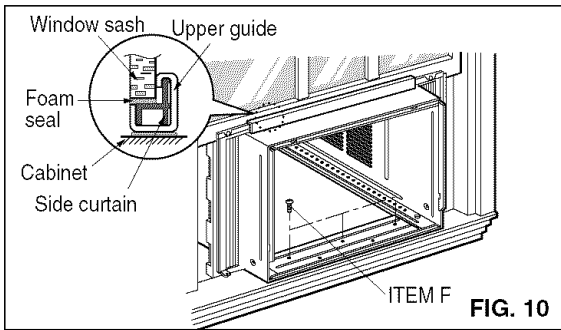


INSTALLATION

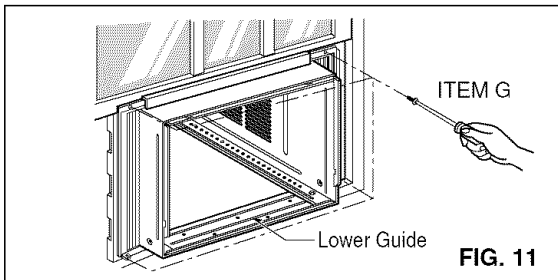
8 Pull the bottom window sash down behind the upper guide until they meet.

NOTE:

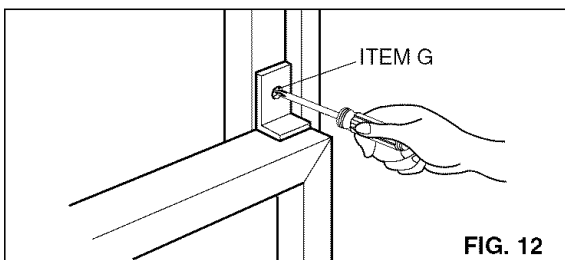
- Do not pull the window sash down so tightly that the movement of sliders is restricted. Attach the cabinet to the window inner sill by driving the screws (ITEM F) through the cabinet into window inner sill.
- The cabinet should be installed with a very slight tilt downward by 1/4" from level.



9 Expand side curtains to fill opening. Attach each side curtain to the window sash using 4 screws (ITEM G). (FIG. 11)



10 Attach the window locking bracket (ITEM L) with a screw (ITEM G). See FIG. 12.

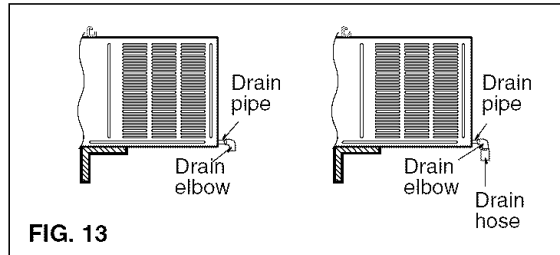


11 DRAINAGE

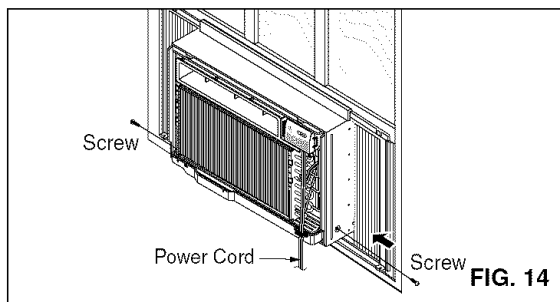
A drain hole is provided at the rear of the air conditioner unit. Refer to the drain method below:

- Remove the hole rubber from the basepan.

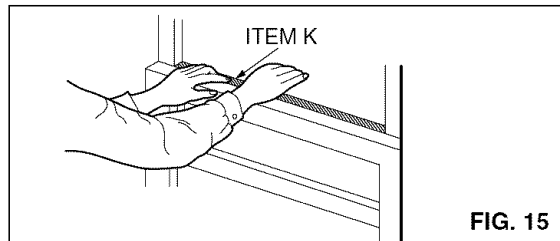
- Connect a drain elbow of 9/16" inside diameter to the drain pipe.
- Connect a drain hose of 9/16" inside diameter to the drain elbow. (Drain hose is not supplied.)



12 Slide the air conditioner into the cabinet. (FIG. 14)
CAUTION: For security purposes, reinstall side screws that were removed in step 1.

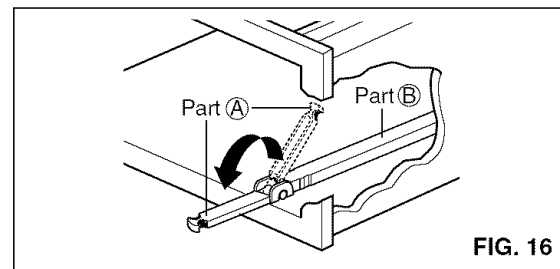


13 Cut the foam strip (ITEM K) to the proper length and insert between the upper window sash and the lower window sash. (FIG. 15)



14 Adjust the vent before the decorative front is attached. (FIG. 16)

Straighten the lever, as shown. Pull down part (A) to align with part (B).



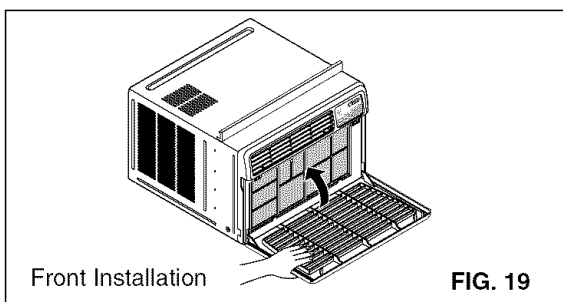
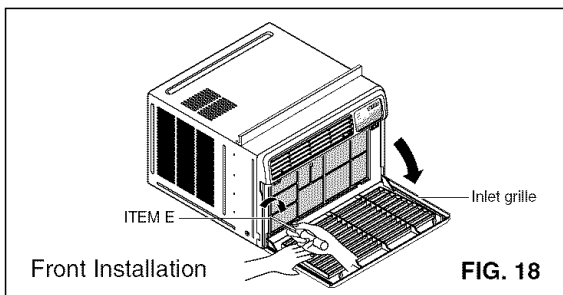
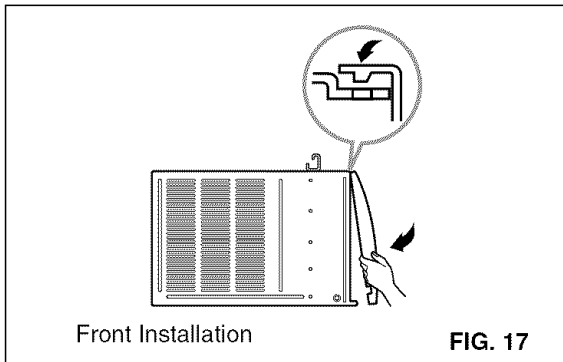
ENGLISH

INSTALLATION

15 FRONT INSTALLATION

Install the front grille (packed separately) onto the cabinet as follows:

- Hook upper tabs of front grille into slots on the cabinet top. (FIG. 17)
- Push front grille's tips towards the cabinet in order to snap side tabs into the cabinet. (FIG. 17)
- Open the inlet grille. (FIG. 18)
- Install the screw (ITEM E) through the front grille. (FIG. 18)
- Close inlet grille. (FIG. 19)

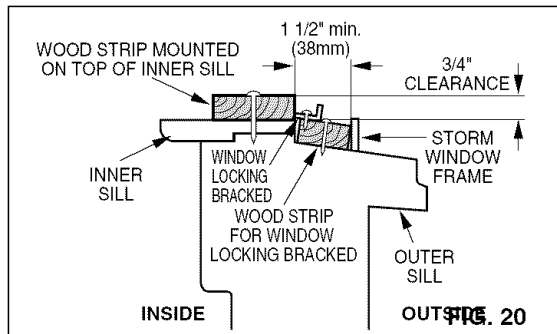


16 IF AIR CONDITIONER IS BLOCKED BY STORM WINDOW FRAME

- If storm window presents interference, fasten a 2" wide wood strip to the inner window sill across the full width of the sill. The wood strip should be thick enough to raise the height of the window sill so that the unit can be installed without interference from the the storm window frame. See FIG. 20.

Top of wood strip should be approximately 3/4" higher than the storm window frame to help condensation to drain properly to the outside.

- Install a second wood strip (approximately 6" long by 1 1/2" wide and same thickness as first strip) in the center of the outer sill flush against the back of the inner sill. Screw the Window locking brackets into this strip. This will raise the Window locking bracket as shown in FIG. 20.



REMOVAL FROM WINDOW

- Turn off and unplug the air conditioner.
- Remove the front grille. See HOW TO REMOVE THE FRONT GRILLE. Refer to page 13.
- Unscrew the side screws that you installed in Step 15.
- Slide the air conditioner out of the cabinet. BE CAREFUL NOT TO DROP IT. Hold onto it firmly the whole way sliding it out. Once removed, set it safely out of the way.
- Remove the Window locking bracket from window frame and the sash seal from between the windows.
- Unscrew the side curtains from the window frame. Fold them back to the sides of the cabinet.
- Remove screws attaching cabinet to inner sill. Be careful not to let cabinet fall once screws are removed.
- Remove cabinet from window opening.
- Place air conditioner into cabinet. Reinstall side screws and Front Grille.
- Place unit and all assembly hardware in air conditioner shipping carton, and store in clean, dry place.



CAUTION

- Air conditioners covered in this manual pose an excessive weight hazard. Two or more people are needed to move and install the unit. To prevent injury or strain, use proper lifting and carrying techniques when moving unit.
- When handling the air conditioner, be careful to avoid cuts from sharp metal fins on front and rear coils.
- Make sure air conditioner does not fall during removal.

OPERATION

HOW AND WHY

Your room air conditioner provides the following functions to make hot weather living more comfortable:

- Cools and circulates room air.
- Lowers humidity by removing excess moisture.
- Filters out summertime dust, dirt, and some airborne impurities.

The air conditioner performs these functions by drawing room air through a filter which traps dust and dirt particles. The air then passes over a cooling coil which refrigerates the air and removes excess moisture. The same air is then returned to the room—cooler, drier, and cleaner. Moisture removed from the room air is carried to the outside and evaporated.

Your air conditioner is designed to be easy to operate and to provide plenty of cooling power.

NORMAL SOUNDS FIG. 21

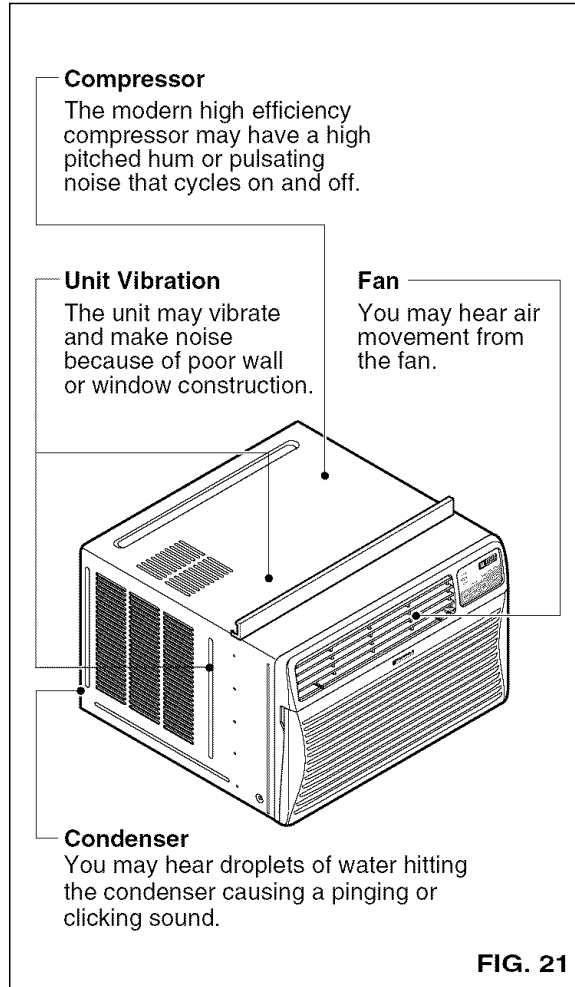
Aside from the regular fan motor and compressor sounds coming from your air conditioner, you will once in a while hear a pinging sound. This is the result of moisture being picked up from the air in the room and thrown against the air conditioner's fan. This is normal and should not be cause for concern. Also, do not be alarmed if you hear a slight hissing or gurgling sound coming from your air conditioner after it is off. These are normal coolant noises.

CAPACITY AND RUNNING TIME

Proper unit size is important in deciding the desired comfort for the area you want to cool. An undersized unit will not have the capability to cool, leaving the area uncomfortably warm. The proper size is determined by the number of square feet in the area to be cooled, indoor and outdoor temperature and humidity.

Whenever the heat or humidity load is above normal the air conditioner must run longer and more often to keep the desired temperature you have selected. Under heavy heat load conditions the air conditioner may need to run constantly to keep the temperature you want.

At times using the MED FAN setting to circulate the room air may make it comfortable even though the air is not being cooled. This will decrease your cost of use.



ENGLISH

OPERATION

FEATURES

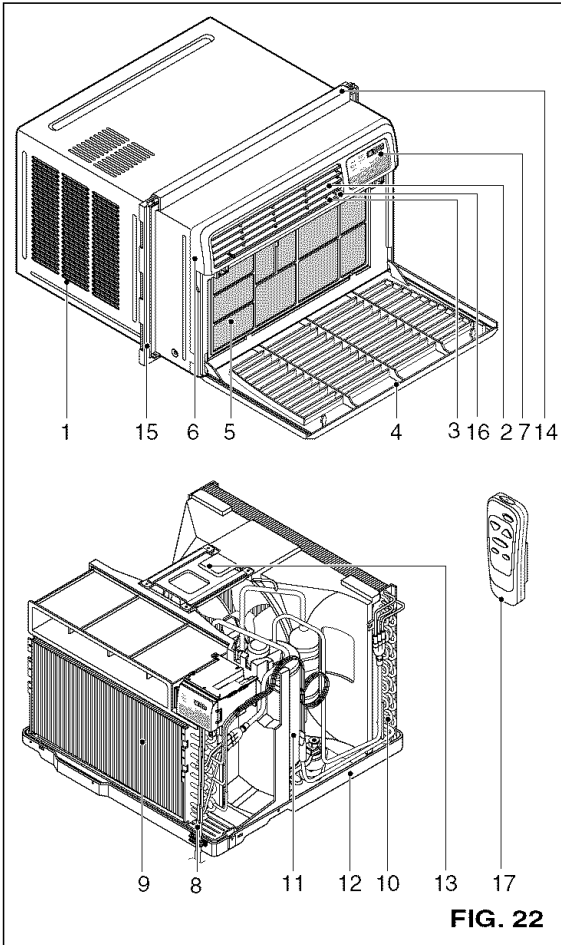


FIG. 22

- | | |
|-------------------------------------|------------------------|
| 1. Cabinet | 9. Evaporator Coil |
| 2. Vertical Air Direction Louvers | 10. Condenser |
| 3. Horizontal Air Direction Louvers | 11. Compressor |
| 4. Inlet Grille | 12. Base pan |
| 5. Air Filter | 13. Brace |
| 6. Front Grille | 14. Upper Guide |
| 7. Control Board | 15. Curtain |
| 8. Power Cord | 16. Vent Control Lever |
| | 17. Remote Control |

USING THE AIR CONDITIONER

WARNING To reduce the risk of fire, electric shock, or injury to persons, read the important SAFETY instructions section before operating this appliance

To begin operating the air conditioner after installation, follow these steps:

1. Plug in the air conditioner. (To prevent electrical hazards, do not use an extension cord or an adapter plug.)
2. Set the exhaust vent to the CLOSE position.
3. Set the TEMP Control to the coolest setting.
4. Set the MODE control at the highest COOL level.
5. Adjust the louvers for comfortable air flow.
6. Once the room has cooled, adjust the TEMP and Mode Control to the setting you find most comfortable.

NOTE : If the air conditioner is turned off, wait 3 minutes before restarting. This allows pressure inside the compressor to equalize. Failure to wait 3 minutes before restarting may cause inefficient operation.

If you move the TEMP Control to a warmer, then immediately back to a cooler setting, the unit will shut off. Wait 3 minutes before restarting.

VENT CONTROL

The Vent Control allows the air conditioner to either recirculate inside air (CLOSE) or exhaust air to the outside (OPEN). (FIG. 23)

- The CLOSE position is used when maximum cooling is desired. It may also be used for air recirculation without cooling when the air conditioner is set in the FAN position.
- The OPEN position removes stale air from the room and exhausts it to the outside. Fresh air is drawn into the room through your home's normal air passages.
- The OPEN or CLOSE position can be used with any fan selection.

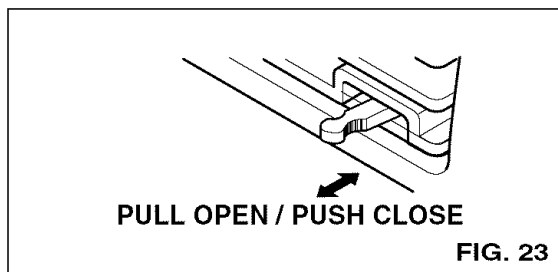


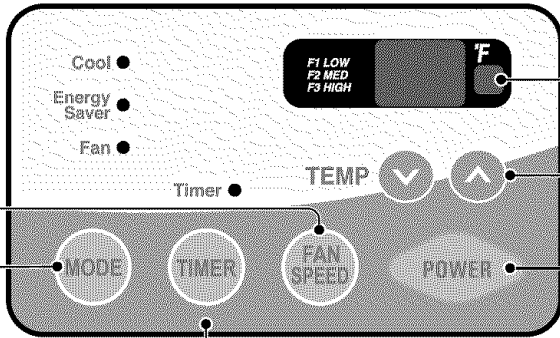
FIG. 23

OPERATION

CONTROL PANEL

FAN SPEED

- Every time you push this button, it advances the setting as follows: {High → Low → Med → High}



REMOTE CONTROL SIGNAL RECEIVER

TEMPERATURE SETTING

- Use this button to automatically control the temperature of the room.
- The temperature can be set within a range of 60°F to 86°F by increments of 1°F.
- The setting appears in the display.

POWER

- To turn the air conditioner ON, push the button. To turn the air conditioner OFF, push the button again.
- This button takes priority over any other button.
- When you first turn it on, the air conditioner is on the High cool mode and the Temp. at 72°F.
- Auto restart
In the event as a power failure, the unit will run at the previous setting once power returns.

TIMER

- SHUT-OFF TIME

- You will usually use shut-off time while you sleep.
- If unit is running, use timer to set number of hours until shut-off.
- For your sleeping comfort, once timer is set, the temperature setting will raise 2°F after 30min and once again after another 30min.
- Push timer button to advance setting from 1 Hour → 2Hour..... → 12 Hours maximum.

- START TIME

- If unit is off, Timer sets number of hours before unit starts.
- Push timer button to advance setting from 1 Hour → 2Hour..... → 12 Hours maximum.

MODE

- Push this button to shift mode of operation from cool → energy saver → fan.
- ENERGY SAVER:
 - The fan stops when the compressor stops cooling.
 - Approximately every 3 minutes the fan will turn on so that the unit can check the room air to determine if cooling is needed.

AUTO RESTART

In failure of electric power, the unit runs as previous setting operation.

HORIZONTAL AIR DIRECTION CONTROL

The horizontal air direction is adjusted by moving the vertical louvers right and left with your fingertips. (FIG. 24)

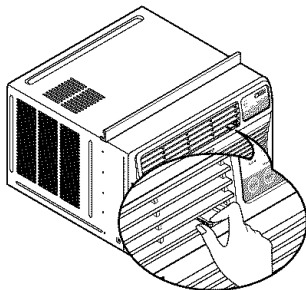


FIG. 24

VERTICAL AIR DIRECTION CONTROL

The vertical air direction is adjusted by moving the horizontal louvers up and down with your fingertips. (FIG. 25)

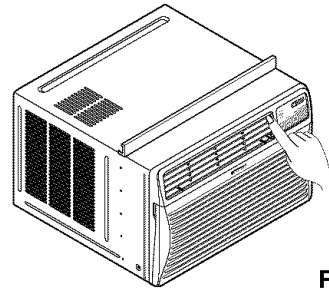


FIG. 25

OPERATION

REMOTE CONTROL

NOTE: The Remote Control will not operate properly if strong light shines on the sensor window of the Air Conditioner or if there are obstacles between the Remote Control and the Air Conditioner. Every time you push button, you will hear a beep from the Air Conditioner.

POWER

- To turn the air conditioner ON, push the button.
To turn the air conditioner OFF, push the button again.
- This button takes priority over any other button.
- When you first turn it on, the air conditioner is on the High cool mode and the Temp. at 72°F.
- Auto restart
In the event as a power failure, the unit will run at the previous setting once power returns.

TEMPERATURE SETTING

- Use this button to automatically control the temperature of the room.
The temperature can be set within a range of 60°F to 86°F by increments of 1°F.
- The setting appears in the display.

FAN SPEED

- Every time you push this button it advances the setting as follows:
(High → Low → Med → High)

TIMER

- You will usually use shut-off time while you sleep.
- If unit is running, use timer to set number of hours until shut-off.
- For your sleeping comfort, once timer is set, the temperature setting will raise 2°F after 30min and once again after another 30min.
- Push timer button to advance setting from 1 Hour → 2Hour..... → 12 Hours maximum.

- START TIME

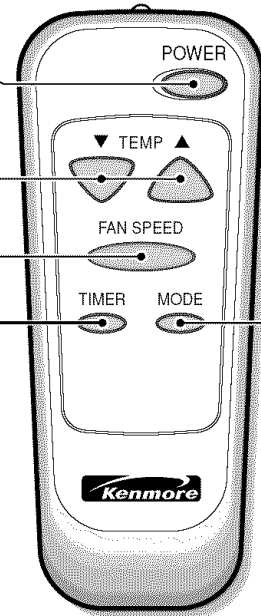
- If unit is off, Timer sets number of hours before unit starts.
- Push timer button to advance setting from 1 Hour → 2Hour..... → 12 Hours maximum.

MODE

- Push this button to shift mode of operation from cool → energy star → fan.

- ENERGY SAVER:

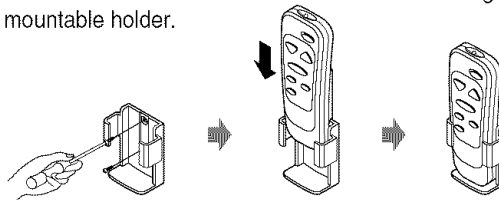
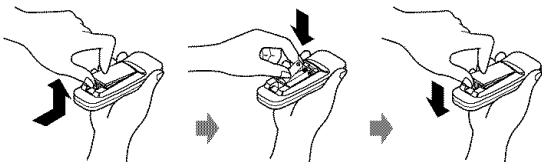
- The fan stops when the compressor stops cooling.
Approximately every 3 minutes the fan will turn on so that the unit can check the room air to determine if cooling is needed.



HOW TO INSERT BATTERIES INTO REMOTE CONTROL

1. Remove the cover from the back of the remote controller.
 - Open the cover according to the arrow direction on the cover.
2. Insert two batteries.
 - Be sure that the (+) and (-) directions are correct.
 - Be sure that both batteries are new.
3. Re-attach the cover.

- Do not use rechargeable batteries.
Such batteries differ from standard dry cells in shape, dimensions, and performance.
- Remove the batteries from the remote controller if the air conditioner is not going to be used for an extended length of time.
- The remote control can be mounted on a wall using the mountable holder.



MAINTENANCE

AIR FILTER CLEANING

The Air Filter will become dirty as it removes dust from the inside air. It should be washed at least every 2 weeks. If the Air Filter remains full of dust, the air flow will decrease and the cooling capacity will be reduced, possibly damaging the unit.

- Pull the inlet grille forward, grasping both tabs, then pull out the air filter. (FIG. 26)
- Wash the Air Filter under the faucet with warm water. Be sure to shake off all the water before replacing the filter. (FIG.27)

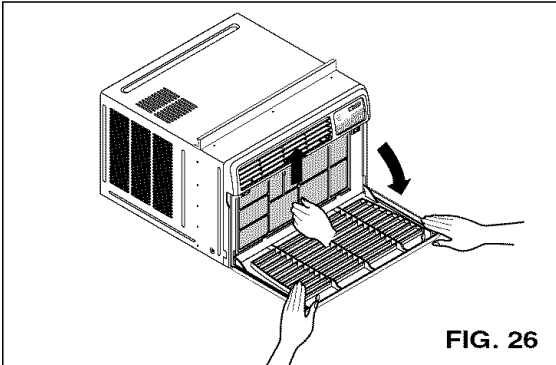


FIG. 26

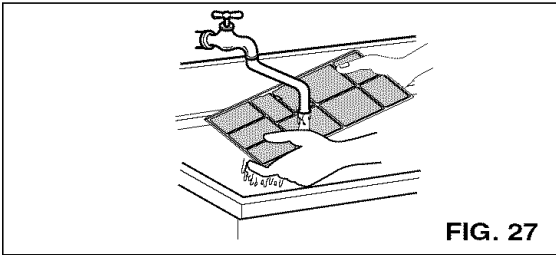


FIG. 27

AIR CONDITIONER CLEANING

Clean the front grille and inlet grille by wiping with a cloth dampened in a mild detergent solution.(FIG.28)

The cabinet may be washed with mild soap or detergent and lukewarm water, then polished with liquid appliance wax.

To ensure continued peak efficiency, the condenser coils (outdoor side at the unit) should be checked periodically and cleaned if they become clogged with soot or dirt from the atmosphere. Brush or vacuum exterior coils to remove debris from fins.

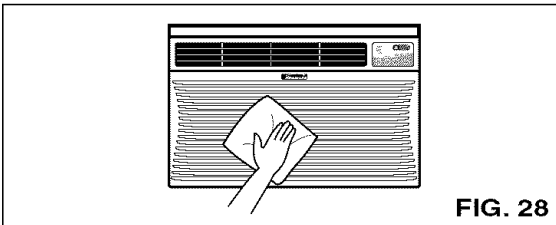


FIG. 28

HOW TO REMOVE THE FRONT GRILLE

- Open the inlet grille downward.
- Remove the screw securing the Front Grille.
- Push the grille up from the bottom and pull the top of the grille away from the case to lift the top tabs out of their slots.

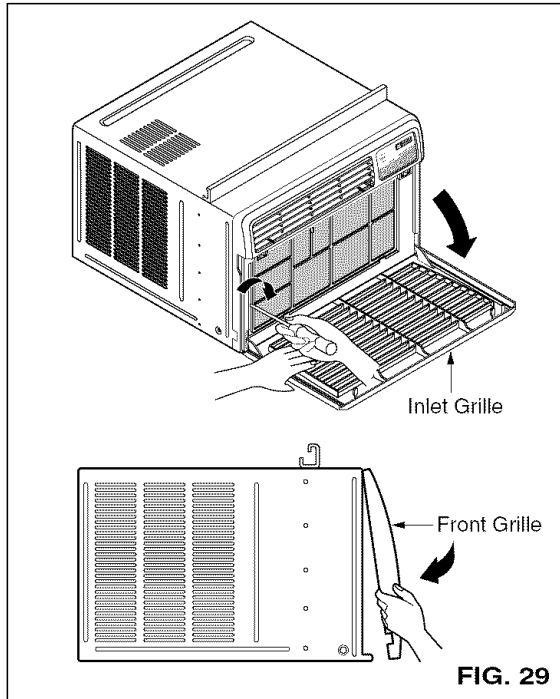


FIG. 29

HOW TO REPLACE THE FRONT GRILLE

Attach the front grille to the cabinet by inserting the tabs on the grille into the slots on the front of the cabinet. Push the grille in until it snaps into place.

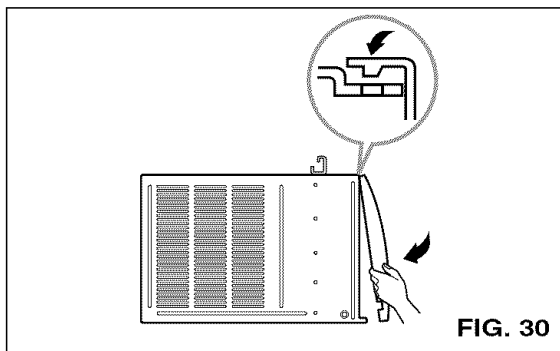


FIG. 30

ENGLISH

TROUBLESHOOTING

BEFORE CALLING FOR SERVICE

Check the following list to be sure a service call is really necessary. A quick reference to this manual may help you avoid an unneeded service call.

THE AIR CONDITIONER WILL NOT OPERATE

Check if...	Then...
Wall plug disconnected.	Push plug firmly into wall outlet.
House fuse blown or circuit breaker tripped.	Replace fuse with time delay type or reset circuit breaker.
Power is OFF.	Push the power button.
Unit was turned off and then on too quickly.	Set unit off and wait 3 minutes before restarting.
TEMP Control set warmer than room temperature.	Set TEMP Control to cooler temperature.
The current interrupter device is tripped	Press the RESET button located on the power cord plug If the RESET button will not stay engaged, discontinue use of the air conditioner and contact a qualified service technician.

AIR FROM UNIT DOES NOT FEEL COLD ENOUGH.

Check if...	Then...
FAN SPEED set at LOW.	Push FAN SPEED button to set at HIGH.
TEMP Control set too warm.	Set TEMP Control to a cooler temperature.
Room temperature below 70° F (21° C).	Cooling may not occur until room temperature rises above 70° F (21° C).
Temperature sensing tube touching evaporator coil, located behind front grille.	Remove the front grille then straighten tube away from evaporator coil.

THE AIR CONDITIONER COOLING, BUT ROOM IS TOO WARM – ICE FORMING ON COOLING COIL BEHIND FRONT GRILLE.

Check if...	Then...
Outdoor temperature below 70° F (21° C).	To defrost the coil, set the MODE to FAN.
Air filter may be dirty.	Clean air filter. Refer to Maintenance section of owner's manual.
TEMP Control set too cold for night-time cooling.	To defrost the coil, set the MODE to FAN speed to "HIGH" with the TEMP control to warmer temperature.

THE AIR CONDITIONER COOLING, BUT ROOM IS TOO WARM .

Check if...	Then...
Dirty air filter – air restricted.	Clean air filter. Refer to Maintenance section of owner's manual.
TEMP Control set too warm.	Set TEMP Control to cooler temperature.
Front of unit is blocked by drapes, blinds, furniture, etc. Air distribution is restricted.	Clear blockage in front of unit.
Doors, windows, registers, etc. open. Cold air escapes.	Close doors, windows, registers, etc.
Unit recently turned on in hot room.	Allow additional time to remove stored heat from walls, ceiling, floor, and furniture.

THE AIR CONDITIONER TURNS ON AND OFF RAPIDLY.

Check if...	Then...
Outside temperature is extremely hot.	Set FAN SPEED on HIGH to bring air past cooling coils faster.

NOISE WHEN UNIT IS COOLING.

Check if...	Then...
Sound of fan hitting water from the moisture removal system.	This is normal when humidity is high. Close doors, windows, and registers.
Window vibration – poor installation.	Refer to installation instructions or check with installer.

WATER DRIPPING INSIDE ROOM WHEN UNIT IS COOLING.

Check if...	Then...
The air conditioner is improperly installed.	Tilt air conditioner slightly to the outside to allow water drainage. Refer to installation instructions or check with installer.

WATER DRIPPING OUTSIDE WHEN UNIT IS COOLING.

Check if...	Then...
The unit is removing large quantities of moisture from humid room.	This is normal during excessively humid days.

Get it fixed, at your home or ours!

Your Home

For repair – **in your home** – of **all** major brand appliances, lawn and garden equipment, or heating and cooling systems, **no matter who made it, no matter who sold it!**

For the replacement parts, accessories and owner's manuals that you need to do-it-yourself.

For Sears professional installation of home appliances and items like garage door openers and water heaters.

1-800-4-MY-HOME® (1-800-469-4663)

Call anytime, day or night (U.S.A. and Canada)

www.sears.com www.sears.ca

Our Home

For repair of carry-in items like vacuums, lawn equipment, and electronics, call or go on-line for the location of your nearest **Sears Parts & Repair Center.**

1-800-488-1222

Call anytime, day or night (U.S.A. only)

www.sears.com

To purchase a protection agreement(U.S.A.) or maintenance agreement(Canada) on a product serviced by Sears:

1-800-827-6655 (U.S.A.)

1-800-361-6665 (Canada)

Para pedir servicio de reparación a domicilio, y para ordenar piezas:

1-888-SU-HOGARSM
(1-888-784-6427)

Au Canada pour service en français:

1-800-LE-FOYER^{MC}
(1-800-533-6937)
www.sears.ca

SEARS