

This Owner's Manual is provided and hosted by [Appliance Factory Parts](#).



# Weber GENESIS SILVER B NG W PREMIUM UPGRADES (2000-2001) Owner's Manual

[Shop genuine replacement parts for Weber GENESIS  
SILVER B NG W PREMIUM UPGRADES \(2000-2001\)](#)



[Find Your Weber Grill Parts - Select From 2037 Models](#)

----- Manual continues below -----

# GENESIS® SILVER-B

## Gas Grill

### Owners Guide

#### ⚠ DANGER

If you smell gas:

1. Shut off gas to the appliance.
2. Extinguish any open flames.
3. Open lid
4. If odor continues, keep away from the appliance and immediately call your gas supplier or your fire department.

Leaking gas may cause a fire or explosion which can cause serious bodily injury or death, or damage to property.

#### ⚠ WARNING

Do not store or use gasoline or other flammable liquids or vapors within 25 feet (8m) of this appliance.

⚠ **WARNING:** Follow all leak-check procedures carefully in this manual prior to barbecue operation. Do this even if the barbecue was dealer-assembled.

**NOTICE TO INSTALLER:** These instructions must be left with the owner and the owner should keep them for future use.

**THIS GAS APPLIANCE IS DESIGNED FOR OUTDOOR USE ONLY.**

⚠ **WARNING:** Do not try to light this appliance without reading the "Lighting" Instructions section of this manual



### Natural Gas



**YOU MUST READ THIS OWNERS GUIDE BEFORE OPERATING YOUR GAS GRILL**

A156.a  
B067.b  
C088.a  
D001.c



55204 0200

## **⚠ DANGER**

**Failure to follow the Dangers, Warnings and Cautions contained in this Owner's Manual may result in serious bodily injury or death, or in a fire or an explosion causing damage to property.**

## **⚠ WARNINGS**

- ⚠ Do not store a spare or disconnected liquid propane cylinder under or near this barbecue.**
- ⚠ Improper assembly may be dangerous. Please carefully follow the assembly instructions in this manual.**
- ⚠ After a period of storage, and/or nonuse, the Weber Gas Barbecue should be checked for gas leaks and burner obstructions before use. See instructions in this manual for correct procedures.**
- ⚠ Do not operate the Weber gas barbecue if there is a gas leak present.**
- ⚠ Do not use a flame to check for gas leaks.**
- ⚠ Combustible materials should never be within 24 inches of the top, bottom, back or sides of your Weber gas barbecue.**
- ⚠ Do not put a barbecue cover or anything flammable on, or in the storage area under the barbecue.**
- ⚠ Your Weber Gas Barbecue should never be used by children. Accessible parts of the barbecue may be very hot. Keep young children away while it is in use.**
- ⚠ You should exercise reasonable care when operating your Weber gas barbecue. It will be hot during cooking or cleaning and should never be left unattended, or moved while in operation.**
- ⚠ Should the burners go out while in operation, turn all gas valves off. Open the lid and wait five minutes before attempting to relight, using the lighting instructions.**
- ⚠ Do not use charcoal or lava rock in your Weber gas barbecue.**
- ⚠ Never lean over open grill or place hands or fingers on the front edge of the cooking box.**
- ⚠ Should a grease fire occur, turn off all burners and leave lid closed until fire is out.**
- ⚠ Do not enlarge valve orifices or burner ports when cleaning the valves or burners.**
- ⚠ The Weber Gas Barbecue should be thoroughly cleaned on a regular basis.**
- ⚠ Liquid propane gas is not natural gas. The conversion or attempted use of natural gas in a liquid propane unit or liquid propane gas in a natural gas unit is dangerous and will void your warranty.**
- ⚠ Do not attempt to disconnect any gas fitting while your barbecue is in operation.**
- ⚠ Use heat-resistant barbecue mitts or gloves when operating barbecue.**

### **LIQUID PROPANE GAS UNITS ONLY:**

- ⚠ Use the regulator that is supplied with your Weber Gas Barbecue.**
- ⚠ Do not attempt to disconnect the gas regulator or any gas fitting while your barbecue is in operation.**
- ⚠ A dented or rusty liquid propane cylinder may be hazardous and should be checked by your liquid propane supplier. Do not use a liquid propane cylinder with a damaged valve.**
- ⚠ Although your liquid propane cylinder may appear to be empty, gas may still be present, and the cylinder should be transported and stored accordingly.**
- ⚠ If you see, smell or hear the hiss of escaping gas from the liquid propane cylinder:**
  - 1. Move away from liquid propane cylinder.**
  - 2. Do not attempt to correct the problem yourself.**
  - 3. Call your fire department.**

# Warranty

Weber-Stephen Products Co. (Weber) hereby warrants to the ORIGINAL PURCHASER of this Weber Gas Grill that it will be free of defects in material and workmanship from the date of purchase as follows:

- Aluminum Castings, lifetime, 1 year paint
- Porcelain Hood Section, 25 years
- Burners, 10 years
- Igniter, 3 years
- Cooking Grates, 3 years no rust through
- Flavorizer Bars, 5 years no rust through
- Thermoplastic/Thermoset Parts,  
10 years Excluding fading
- All Remaining Parts, 5 years,

when assembled and operated in accordance with the printed instructions accompanying it.

Weber may require reasonable proof of your date of purchase. THEREFORE, YOU SHOULD RETAIN YOUR SALES SLIP OR INVOICE.

This Limited Warranty shall be limited to the repair or replacement of parts that prove defective under normal use and service and which on examination shall indicate, to Weber's satisfaction, they are defective. Before returning any parts, contact the Customer service representative in your region using the contact information sheet provided with your manual. If Weber confirms the defect and approves the claim, Weber will elect to replace such parts without charge. If you are required to return defective parts, transportation charges must be prepaid. Weber will return parts to the purchaser, freight or postage prepaid.

This Limited Warranty does not cover any failures or operating difficulties due to accident, abuse, misuse, alteration, misapplication, vandalism, improper installation or improper maintenance or service, or failure to perform normal and routine maintenance, including but not limited to damage caused by insects within the burner tubes, as set out in this owner's manual.

Deterioration or damage due to severe weather conditions such as hail, hurricanes, earthquakes or tornadoes, discoloration due to exposure to chemicals either directly or in the atmosphere, is not covered by this Limited Warranty.

There are no other express warrants except as set forth herein and any applicable implied warranties of merchantability and fitness are limited in duration to the period of coverage of this express written Limited Warranty. Some regions do not allow limitation on how long an implied warranty lasts, so this limitation may not apply to you.

Weber is not liable for any special, indirect or consequential damages. Some regions do not allow the exclusion or limitation of incidental or consequential damages, so this limitation or exclusion may not apply to you.

Weber does not authorize any person or company to assume for it any other obligation or liability in connection with the sale, installation, use, removal, return, or replacement of its equipment; and no such representations are binding on Weber.

This Warranty applies only to products sold at retail.

**WEBER-STEPHEN PRODUCTS CO.  
Customer Service Center  
250 South Hicks Road  
Palatine, IL 60067-6241  
USA**

# Contents

|  |     |
|--|-----|
| Danger & Warnings .....                  | A-2 |
| Warranty .....                           | A-3 |
| General Instructions .....               | A-5 |
| Exploded View .....                      | A-6 |
| Parts List .....                         | A-9 |
| Assembly Instructions .....              | B-1 |
| Installing Features .....                | C-1 |
| Operating .....                          | D-1 |
| Lighting .....                           | D-1 |
| Manual Lighting .....                    | D-2 |
| Cooking .....                            | D-3 |
| Storage .....                            | D-3 |
| Cleaning .....                           | D-3 |
| Annual Maintenance .....                 | D-4 |
| General Maintenance .....                | D-5 |
| Replacing Main Burners .....             | D-6 |
| Crossover Ignition System Operations ... | D-7 |
| Troubleshooting .....                    | D-8 |

## General Instructions

Your Weber Gas Barbecue is a portable outdoor cooking appliance. With the Weber Gas Barbecue you can grill, barbecue, roast and bake with results that are difficult to duplicate with indoor kitchen appliances. The closed lid and Flavorizer® Bars produce that “outdoor” flavor in the food.

The Weber Gas Barbecue is portable so you can easily change its location in your yard or on your patio. Portability means you can take your Weber Gas Barbecue with you if you move.

The natural gas supply is easy to use and gives you more cooking control than charcoal fuel.

- These instructions will give you the minimum requirements for assembling your Weber Gas Barbecue. Please read the instructions carefully before using your Weber Gas Barbecue. Improper assembly can be dangerous.
- Not for use by children.
- If there are local codes that apply to portable gas grills, you will have to conform to them. If there are no local codes, you must conform to the latest edition of the National Fuel Gas Code: ANSI Z 223.1.
- This Weber Gas Barbecue is designed for natural (piped in city) gas only. Do not use liquid propane (LP) bottled gas. The valves, orifices and hose are for natural gas only.
- Do not use with charcoal fuel.
- Check that the area under the control panel and the bottom tray are free from debris that might obstruct the flow of combustion or ventilation air.

## For Installation in Canada

These instructions, while generally acceptable, do not necessarily comply with the Canadian Installation codes, particularly with piping above and below ground. In Canada the installation of this appliance must comply with local codes and/or Standards CAN/CGA-B149.1 (Installation Code for Natural Gas Burning Appliances and Equipment).

## Storage

- The gas must be turned OFF at the natural gas supply when the Weber Gas Barbecue is not in use.
- When the Weber Gas Barbecue is stored indoors, the gas supply must be disconnected.

## Operating

**⚠ WARNING: Only use this barbecue outdoors in a well-ventilated area. Do not use in a garage, building, breezeway or any other enclosed area.**

**⚠ WARNING: Never use your Weber Gas Barbecue under an unprotected combustible roof or overhang.**

**⚠ WARNING: Your Weber Gas Barbecue is not intended to be installed in or on recreational vehicles and/or boats.**

**⚠ WARNING: Do not use combustible materials within 24 inches of the top, bottom, back or sides of the grill.**

**⚠ WARNING: The entire cooking box gets hot when in use. Do not leave unattended.**

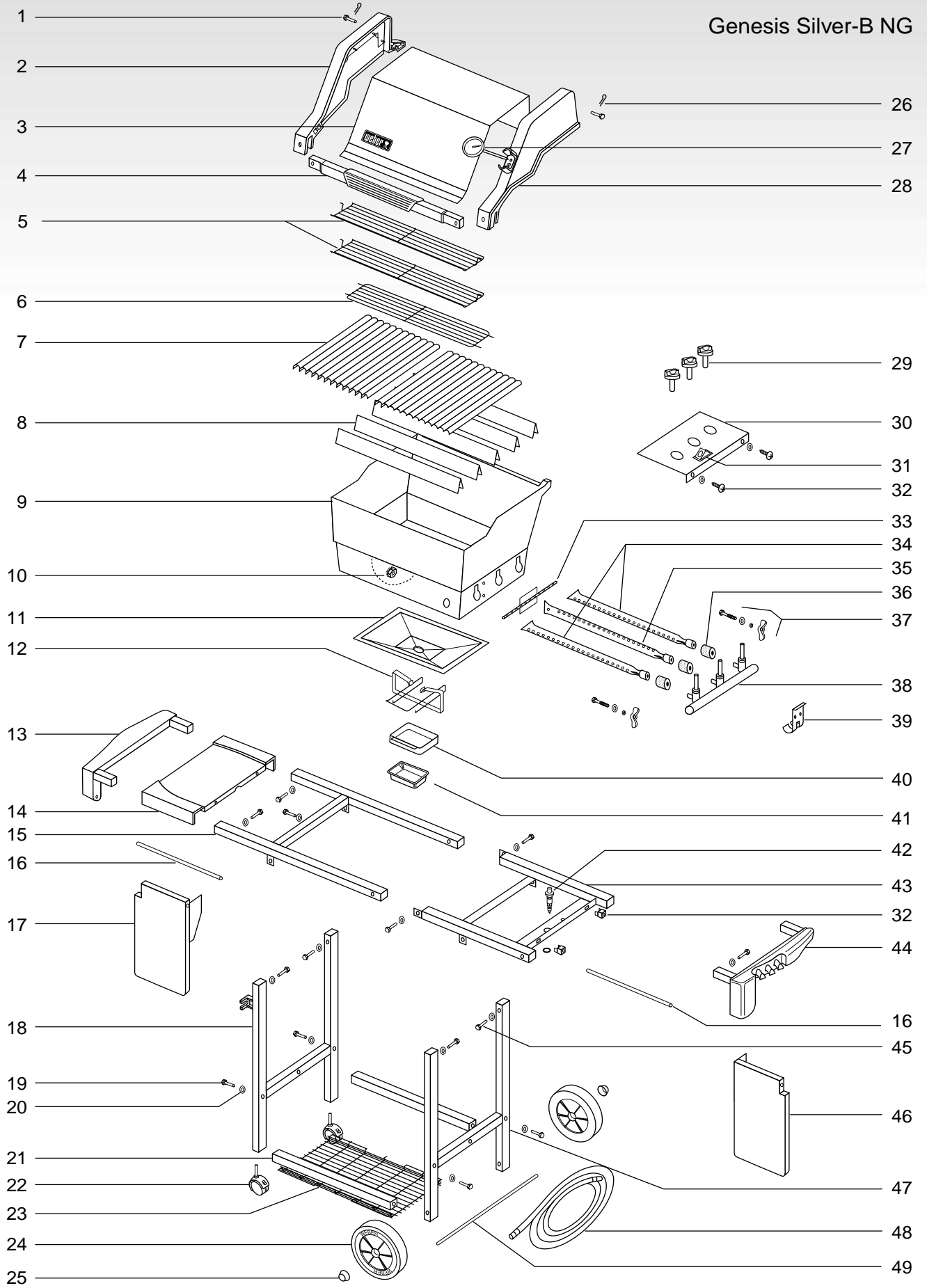
**⚠ WARNING: Keep any electrical supply cord and the fuel supply hose away from any heated surface.**

**⚠ WARNING: Keep the cooking area clear of flammable vapors and liquids, such as gasoline, alcohol, etc., and combustible materials.**


## Gas Supply Testing

- Disconnect your Weber Gas Barbecue when the gas supply is being tested at high pressures. This appliance and its individual shutoff valve must be disconnected from the gas supply piping system during any pressure testing of that system at test pressures in excess of 1/2 psig (3.5 kPa).
- Turn OFF your Weber Gas Barbecue when the gas supply is being tested at low pressures. This appliance must be isolated from the gas supply piping system by closing its individual manual shutoff valve during any pressure testing of the gas supply piping system at the pressure equal to or less than 1/2 psig (3.5 kPa).


Genesis Silver-B NG




1. Hinge Pin
2. Left Endcap
3. Shroud
4. Handle
5. Warm-Up Baskets
6. Warming Rack
7. Cooking Grate
8. Flavorizer Bar
9. Cooking Box
10. 1/4-20 keps nut
11. Slide Out Bottom Tray
12. Catch pan holder
13. Left Trim Piece
14. Work Surface
15. Left Frame
16. Hinge Rod
17. Left Swing-Up Work Surface
18. Caster Frame
19. 1/4-20 x 2 inch bolt
20. Nylon washer
21. Frame Connector
22. Caster
23. Bottom Shelf
24. Wheel
25. Hubcap
26. Hair Pin Cotter
27. Thermometer
28. Right Endcap
29. Burner Control Knob
30. Control Panel
31. Ignitor Button
32. Control Panel Hardware
33. Crossover tube
34. Front and Back Burners
35. Center Burner
36. Spider Stopper Guard
37. Manifold Hardware
38. Manifold
39. Manifold Support Bracket
40. Catch Pan
41. Disposable Drip Pan
42. Igniter
43. Right Frame
44. Right Trim Piece
45. 1/4-20 x 1/2 inch bolt
46. Right Swing-Up Work Surface
47. Wheel Frame
48. Hose
49. Axle Rod

© 1999 Weber-Stephen Products Co., Weber, the  silhouette, and the kettle configuration are registered trademarks of Weber-Stephen Products Co., 200 East Daniels Road, Palatine, IL, 60067-6266, U.S.A. This product is covered by one or more United States patents and patents in other nations globally. Printed in the U.S.A.

Screwdriver 

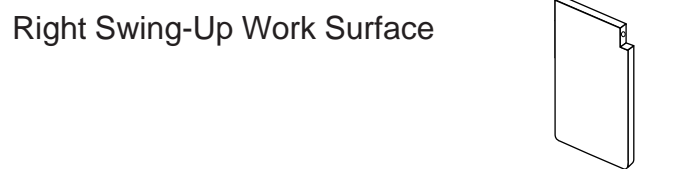
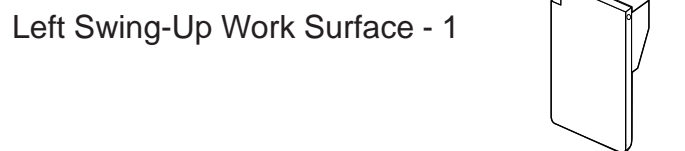
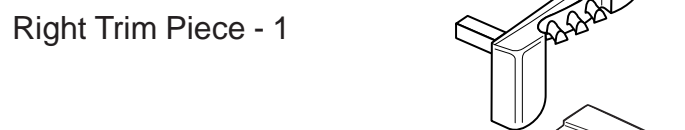
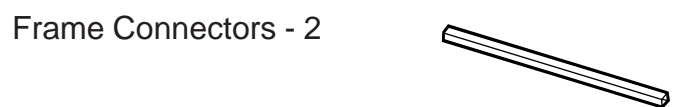
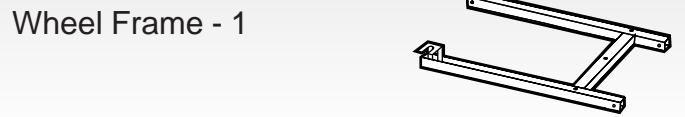
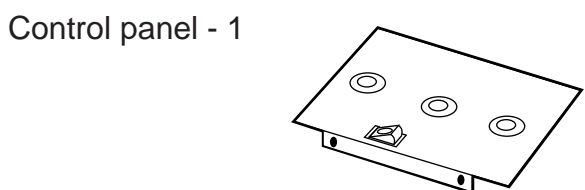
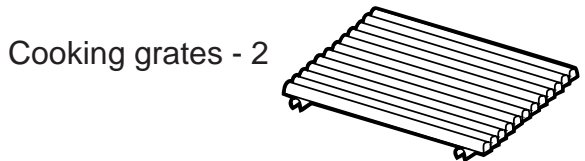
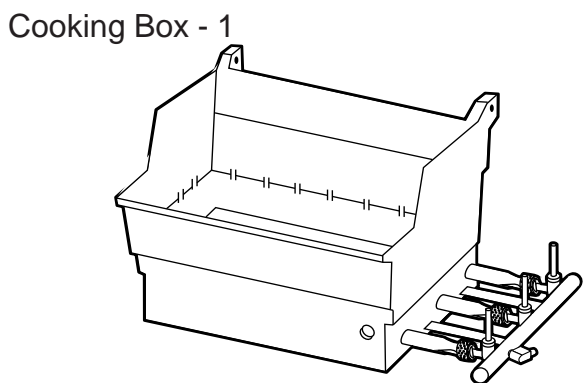
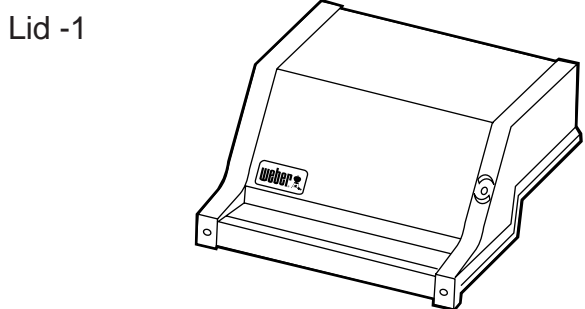
Phillips screwdriver 

Hammer 

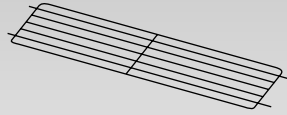
7/16 open-end or an adjustable wrench 

Pliers 

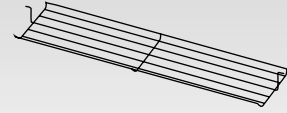
Block of wood 



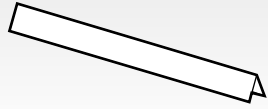
Warming Rack - 1



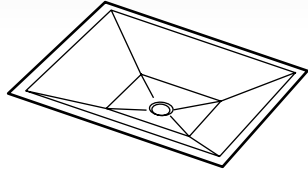
Warm-Up Basket - 2



Flavorizer Bars - 5



Bottom tray - 1



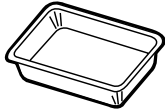
Catch Pan Holder - 1



Catch Pan - 1



Disposable Drip Pans - 2



Thermometer - 1



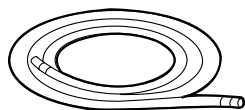
Casters - 2



Wheels - 2



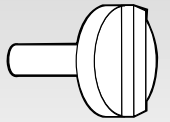
Hose - 1



Manifold Support Bracket - 1



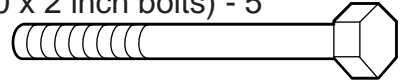
Burner Control Knobs - 3



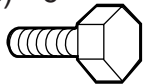
Hinge Pins (1/4-20 x 1 1/2 inch clevis pin) - 2



2 inch bolts (1/4-20 x 2 inch bolts) - 5



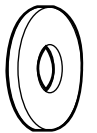
1/2 inch bolts (1/4-20 x 1/2 inch bolts) - 9



Keps Nut (1/4-20 Keps Nut) - 1



1/4 Inch Nylon Washers - 14



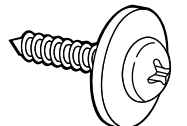
Cotter Pin - 2



Hubcaps - 3



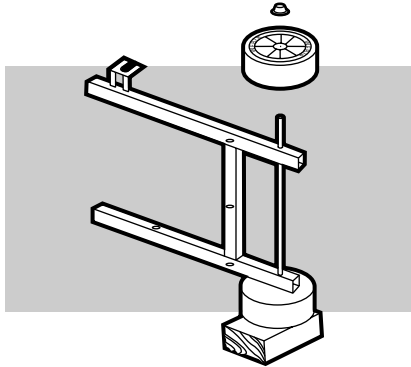
Control Panel Hardware  
(Phillips screws/washers) - 2



# Assembly Instructions

## Assemble wheel frame

You will need: axle rod, two wheel hubcaps, two wheels, wheel frame, hammer and a block of wood. Place one end of the axle rod on the block of wood (or other protected surface). Tap one hubcap onto the end of the axle rod. Slide one wheel onto the axle, WEBER name facing out. Next, slide the other end of the axle rod through the wheel frame. Add the other wheel, WEBER name side facing out. Tap the hubcap onto the axle rod to complete the axle.

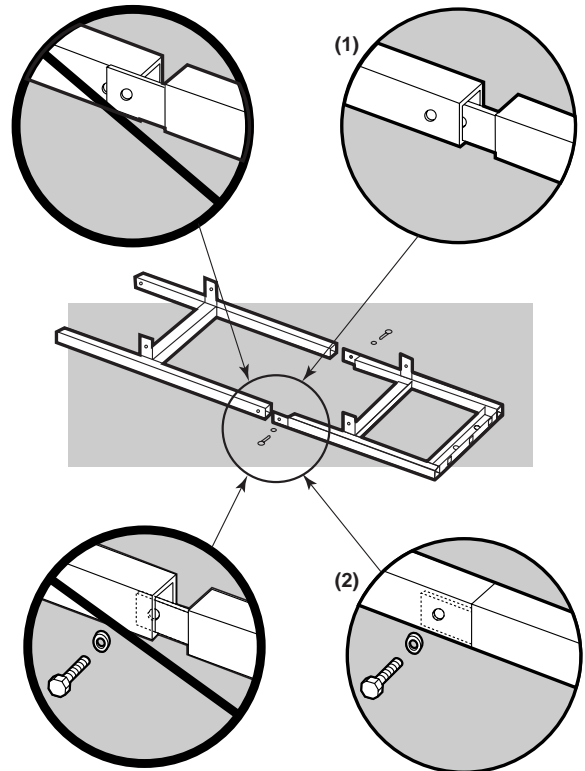


## Assemble frame

You will need: left frame, right frame, two 1/2 inch bolts, two nylon washers and a 7/16 inch or adjustable wrench.

Note - Work on carpeted area (on grass or one of the boxes) to protect the finish during frame assembly. Lay the leg frame pieces as shown so the leg tabs point up.

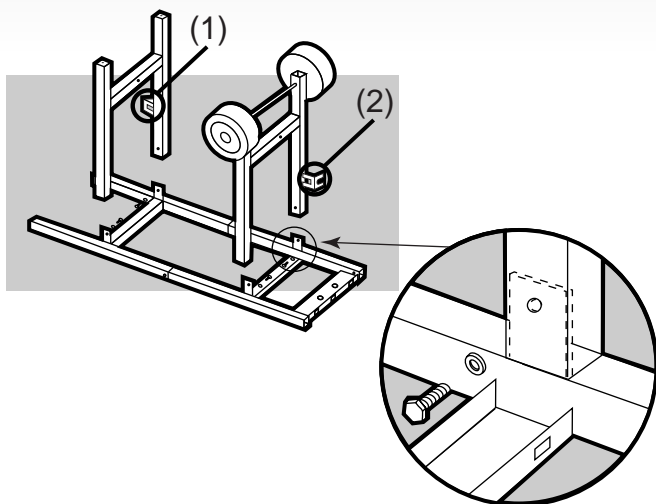
- 1) Connect the two frame pieces with the tabs inside of the frame.
- 2) Slip washers on bolts, then insert bolts as shown and tighten. (If you try to insert a bolt and there is no hole, you have the left frame turned the wrong way. Turn the left frame around.)



### Continue frame assembly

You will need: *caster frame, wheel frame, four 1/2 inch bolts, four nylon washers and a 7/16 inch or adjustable wrench.*

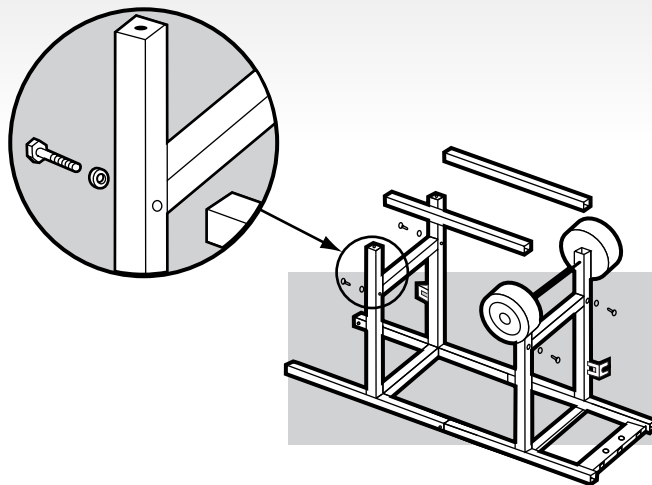
Place the caster frame onto the tabs of the left frame, so that the swing table locking latch (1) is to the rear. Place the wheel frame onto the tabs of the right frame, so that the swing table locking latch (2) is to the rear. The leg tabs must be on the inside of the frames. Add the washers to the bolts. Insert the bolts into the holes as shown, **do not tighten bolts on wheel frame until a later step.**



### Complete frame assembly

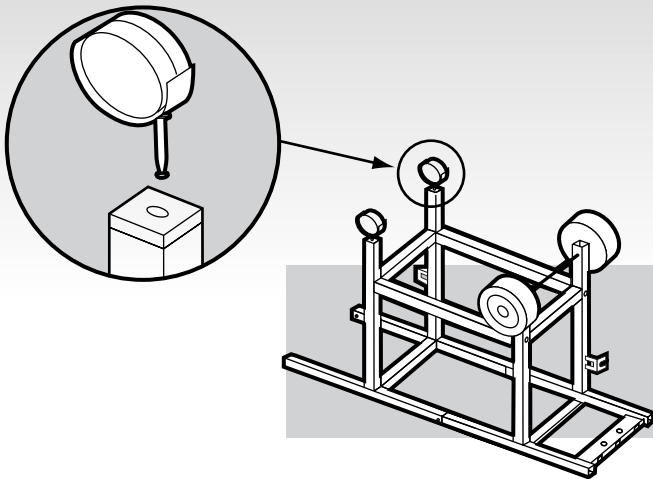
You will need: *partial frame assembly, two frame connectors, four 2 inch bolts, four nylon washers and a 7/16 inch or adjustable wrench.*

Hold one frame connector between the caster frame and wheel frame. Add the nylon washer to the bolt. Insert the bolt through the frame and screw into frame connector. Tighten bolt with wrench. Repeat procedure with the other frame connector.



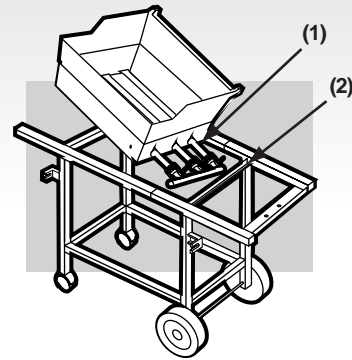
### Insert casters

You will need: frame assembly and two casters.  
Push the casters firmly into the inserts in the ends of the caster frame.

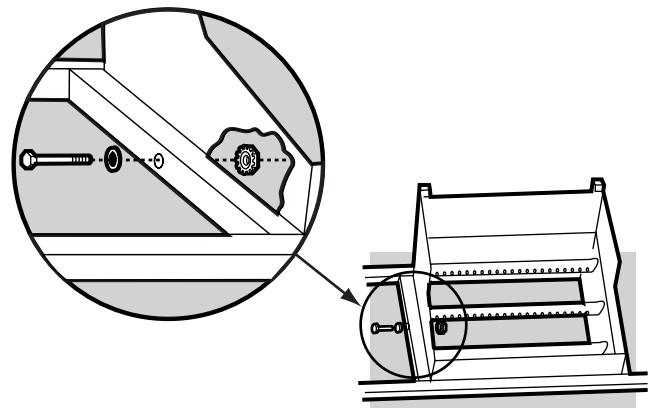


### Add cooking box (assembly)

You will need: frame assembly, cooking box (assembly), 2 inch bolt, nylon washer, keps nut, pliers and a 7/16 inch or adjustable wrench.  
Place the cooking box (assembly) in the frame assembly so the burner tubes(1) are under the frame brace(2).



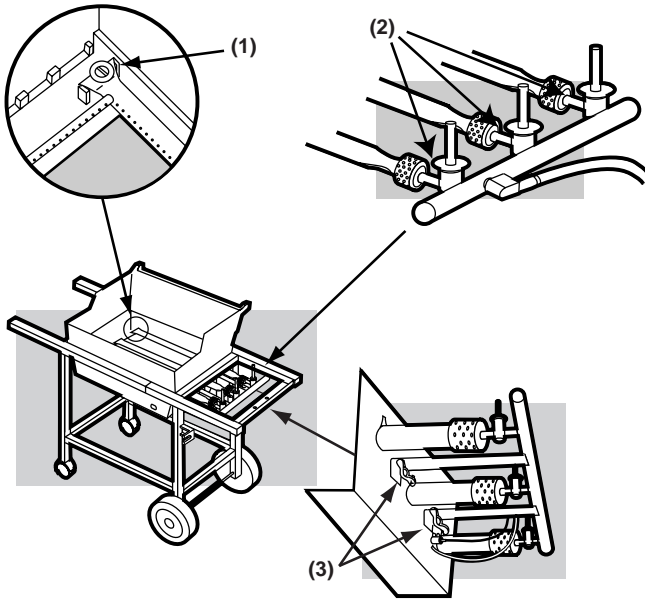
Slide the cooking box (assembly) to the left within the frame assembly. Add the nylon washer to the bolt. Insert the bolt through the cooking box and frame with the head of the bolt outside the box. Add the keps nut. Tighten by holding the bolt with pliers while you tighten the nut with a wrench.



Your Weber Gas Grill Manifold assembly consisting of gas manifold, valves and gas burners has been factory assembled, pressure- and flame- tested. As a safety precaution, we recommend you check the burner alignment:

- 1) Are the ends of the burners under the washers at the left rear and left front of the cooking box? The screws are only guides. Do not tighten.
- 2) Do the valves fit into the ends of the burners?
- 3) Are the wing nuts under the burner assembly hand tight? Do not tighten with pliers.

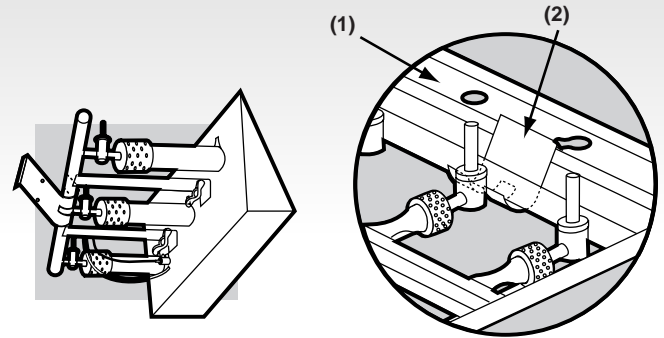
If you answered YES to 1, 2 and 3, the burners are correctly aligned. If you answered NO, the burners are misaligned. Contact the Customer Service Representative in your region using the contact information sheet provided with your manual. Do not use grill.



### Install manifold bracket

*You will need: manifold bracket.*

Hook the bracket(2) onto the manifold at the center burner valve. Place your hand underneath the bracket. Lift the manifold, bracket and cooking box slightly, then hook the tab of the bracket onto the frame brace(1).



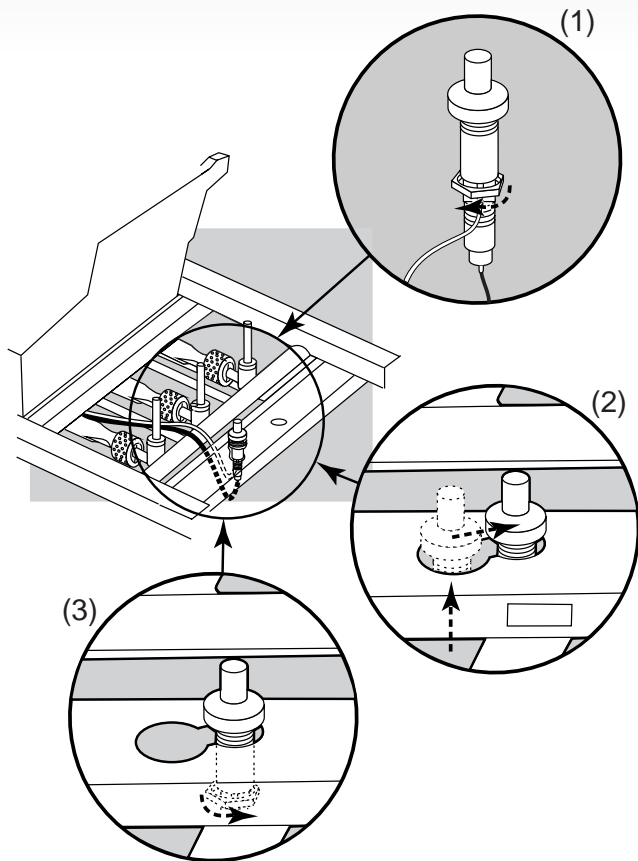
## Install igniter

*Note - The igniter wires are already attached to the Gas Catcher Ignition Chamber and the igniter. This was done to factory test the ignition system.*

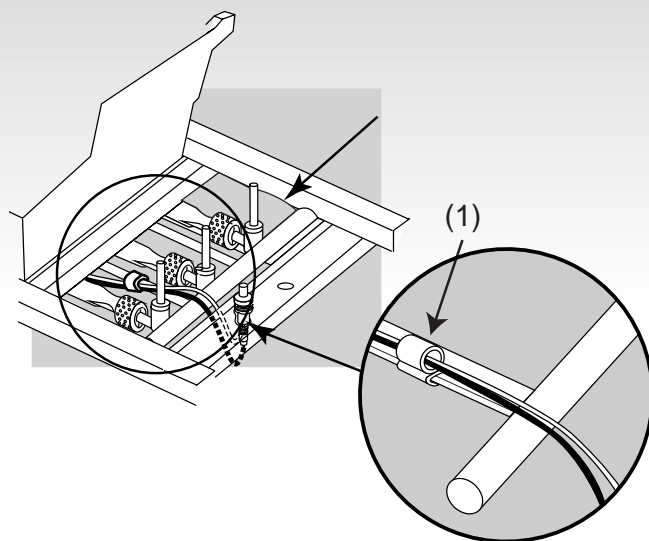
The igniter lock nut is on the igniter.

- 1) Loosen the igniter lock nut.
- 2) Insert the top of the igniter up through the large part of the keyhole in the frame brace. Slide the igniter into the small part of the keyhole.
- 3) Tighten the igniter lock nut back onto the igniter.

*Note - If the igniter works loose, carefully tighten the igniter lock nut with an adjustable wrench or pliers.*



The wire holder (1) is to keep ignition wires from interfering with the swing-up table's bracket. If the wire holder becomes loose, reinstall or replace it immediately.



## Install Gas Supply

### General Specifications for Piping

**Note - Contact your local municipality for building codes regulating outdoor gas barbecue installations. In absence of Local Codes, you must confirm to the latest edition of ANSI Z223.1. WE RECOMMEND THAT THIS INSTALLATION BE DONE BY A PROFESSIONAL.**

Some of the following are general requirements taken from ANISI Z223.1 latest edition for complete specifications.

■ This barbecue is designed to operate at 7 inches of water column pressure (.2526 psi).

■ A manual shut-off valve must be installed outdoors, immediately ahead of the quick disconnect.

■ An additional manual shut-off valve indoors should be installed in the branch fuel line in an accessible location near the supply line

■ The quick disconnect connects to a 3/8 inch NPT thread from the gas source. The quick disconnect fitting is a hand-operated device that automatically shuts OFF the flow of gas from the source when the barbecue is disconnected

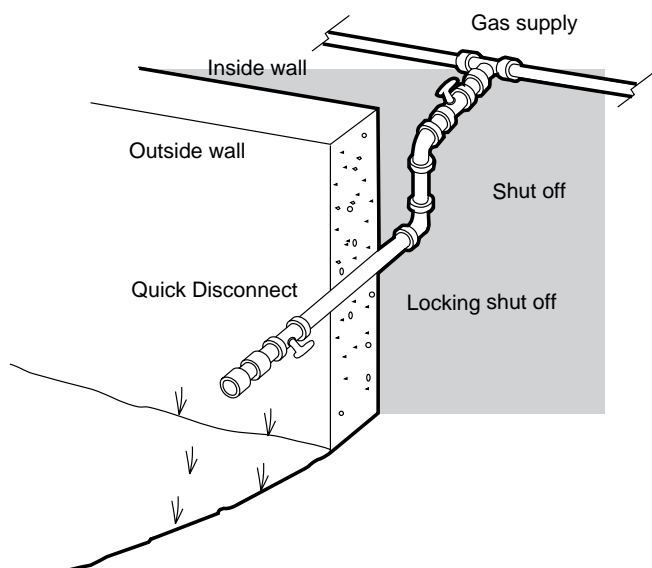
■ The quick disconnect fitting can be installed horizontally, or pointing downward. Installing the fitting with the open end pointing upward can result in collecting water and debris.

■ The dust covers (supplied plastic plugs) help keep the open ends of the quick disconnect fitting clean while disconnected.

■ Pipe compound should be used which is resistant to the action of natural gas when connections are made.

■ The outdoor connector must be firmly attached to rigid, permanent construction.

⚠ **WARNING: Do not route the 12 foot hose under a deck. The hose must be visible.**



## Gas Line Piping

■ If the length of the line required does not exceed 50 feet, use a 5/8" O.D. tube. One size larger should be used for lengths greater than 50 feet.

■ Gas piping may be copper tubing, type K or L; polyethylene plastic tube, with a minimum wall thickness of .062 inch; or standard weight (schedule 40) steel or wrought iron pipe.

■ Copper tubing must be tin-lined if the gas contains more than 0.3 grams of hydrogen sulfide per 100 cubic feet of gas.

■ Plastic tubing is suitable only for outdoor, underground use.

■ Gas piping in contact with earth, or any other material which may corrode the piping, must be protected against corrosion in an approved manner.

■ Underground piping must have a minimum of 18" cover

## Test Connections

All connections and joints must be thoroughly tested for leaks in accordance with local codes and all listed procedures in the latest edition of ANSI Z223.1

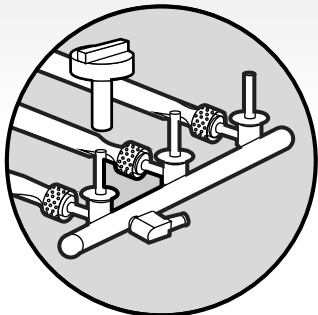
### ⚠ DANGER

**Do not use an open flame to check for gas leaks. Be sure there are no sparks or open flames in the area while you check for gas leaks. This will result in a fire or explosion which can cause serious bodily injury or death and damage to property.**

**Check that all burner valves are off**

*You will need: burner control knobs.*

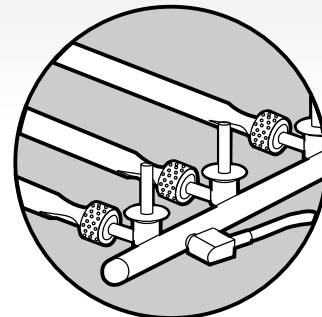
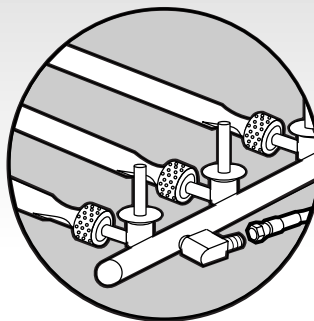
Valves are shipped in the OFF position, but you should check to be sure that they are turned OFF. Put the knob on each valve. Check by pushing down and turning clockwise. If they do not turn, they are off. Proceed to the next step. If they do turn continue turning them clockwise until they stop., then they are off. Proceed to the next step.



**Connect flexible hose to manifold**

*You will need: the 12 foot natural supply hose and a 3/4 inch wrench.*

Thread fitting end of hose onto manifold. Tighten with wrench.



## Check for gas leaks

### ⚠ DANGER

Do not use an open flame to check for gas leaks. Be sure there are no sparks or open flames in the area while you check for leaks. Sparks or open flames will result in a fire or explosion which can cause serious bodily injury or death and damage to property.

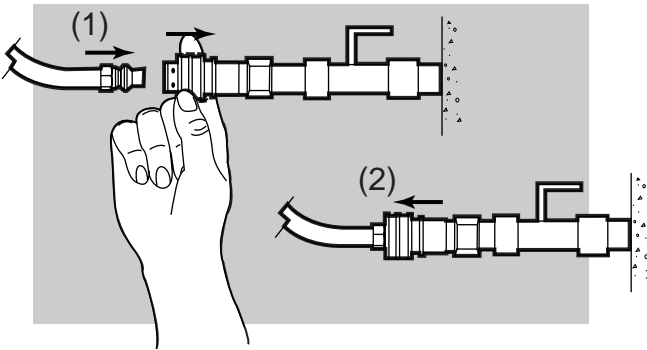
⚠ **WARNING:** You should check for gas leaks every time you disconnect and reconnect a gas fitting.

*Note - All factory-made connections have been thoroughly checked for gas leaks. The burners have been flame-tested. As a safety precaution however, you should recheck all fittings for leaks before using your Weber Gas Barbecue. Shipping and handling may loosen or damage a gas fitting.*

⚠ **WARNING:** Perform these leak checks even if your barbecue was dealer or store assembled.

You will need: a soap and water solution, and a rag or brush to apply it.

To perform leak checks: Slide back the collar of the quick disconnect. Push male fitting of the hose into the quick disconnect, and maintain pressure(1). Slide the collar closed(2). If it does not engage or lock, repeat procedure. Gas will not flow unless the quick disconnect is properly engaged.



Turn on gas supply.

Check for leaks by wetting the connections with the soap and water solution and watching for bubbles. If bubbles form or if a bubble grows, there is a leak.

*Note - Since some leak test solutions, including soap and water, may be slightly corrosive, all connections should be rinsed with water after checking for leaks.*

⚠ **WARNING:** Do not ignite burners when leak checking.

Check:

1) Hose to manifold connection.

⚠ **WARNING:** If there is a leak a connection(1), retighten the fitting with a wrench and recheck for leaks with soap and water solution.

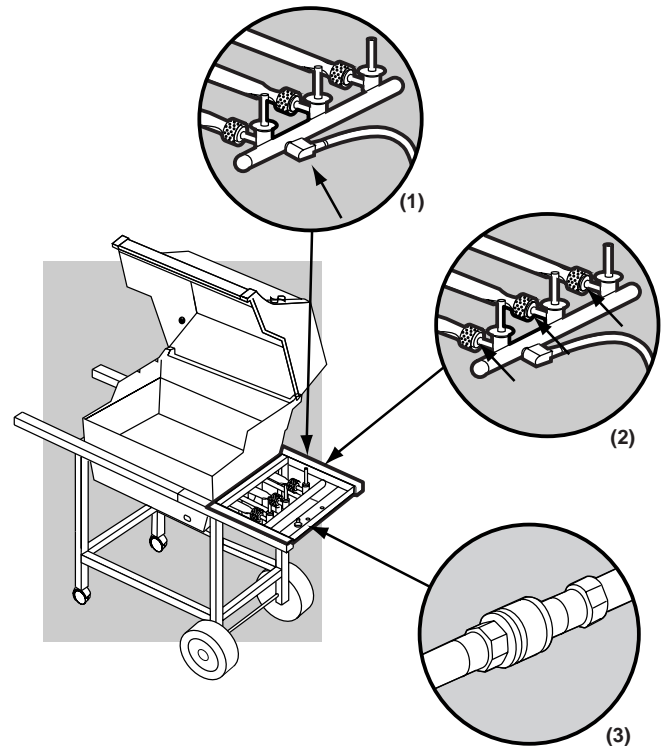
If a leak persists after retightening the fitting, turn OFF the gas. DO NOT OPERATE THE BARBECUE. Contact the Customer Service Representative in your region using the contact information sheet provided with your manual.

2) Valves to manifold connection

3) Hose to quick disconnect connection

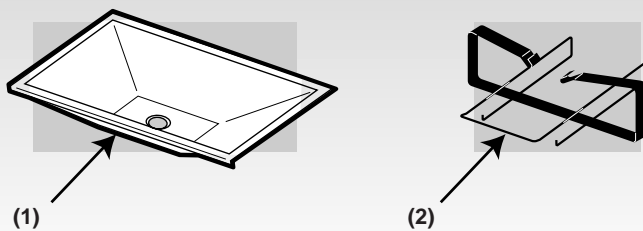
⚠ **WARNING:** If there is a leak at connections(2) or(3) turn OFF the gas. DO NOT OPERATE THE BARBECUE. Contact the Customer Service Representative in your region using the contact information sheet provided with your manual.

When leak checks are complete, turn gas supply OFF at the source and rinse connections with water.

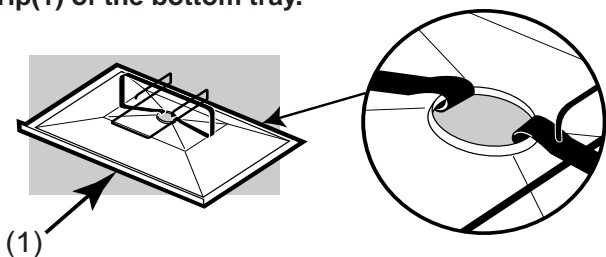


### Install the slide out bottom tray

You will need: the slide out bottom tray(1), catch pan holder(2), catch pan and one disposable drip pan.

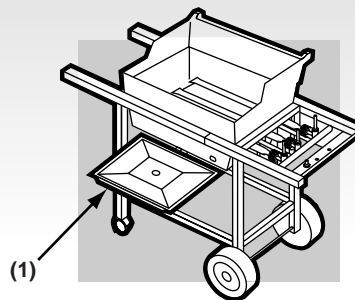


Hook the ends of the catch pan holder into the hole in the slide out bottom tray. **The front of the catch pan holder must be on the same side as the finger grip(1) of the bottom tray.**



Slide the bottom tray onto the mounting rails under the cooking box with finger grip toward you(1).

**⚠ WARNING: Do not line bottom tray with aluminum foil. It can cause grease fires by trapping the grease and not allowing grease to flow into the catch pan.**



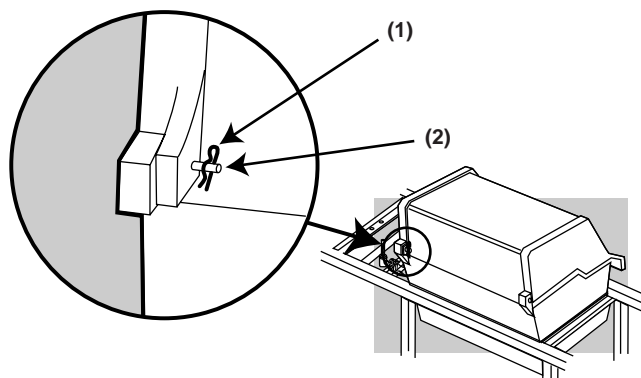
### Put the disposable drip pan into the catch pan.

Slide the catch pan into the catch pan holder with its finger grip towards you(1).

### Install Lid

You will need: lid, two hair pin cotters(1) and two hinge pins(2).

Place lid on top of the cooking box. Align the hinges at the rear of the barbecue. Insert hinge pins through the hinges from the outside. Insert hair pin cotters into the small holes in the hinge pins.

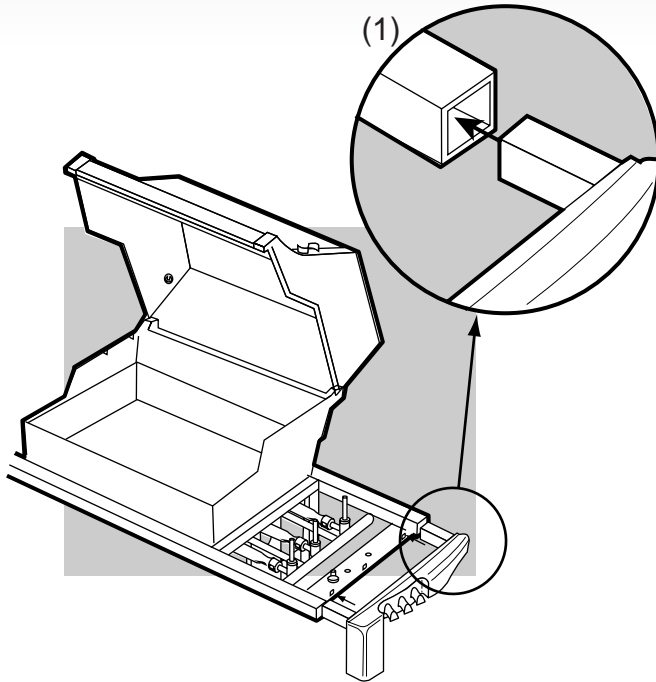


# Installing Features

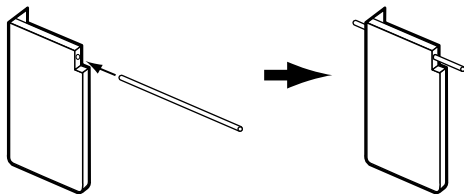
## Install the right end trim piece with tool holders and right swing-up work surface

You will need: Right trim piece with tool holders, right swing-up work surface, swing-up work surface rod, one 1/2 inch bolt, one nylon washer and a wrench

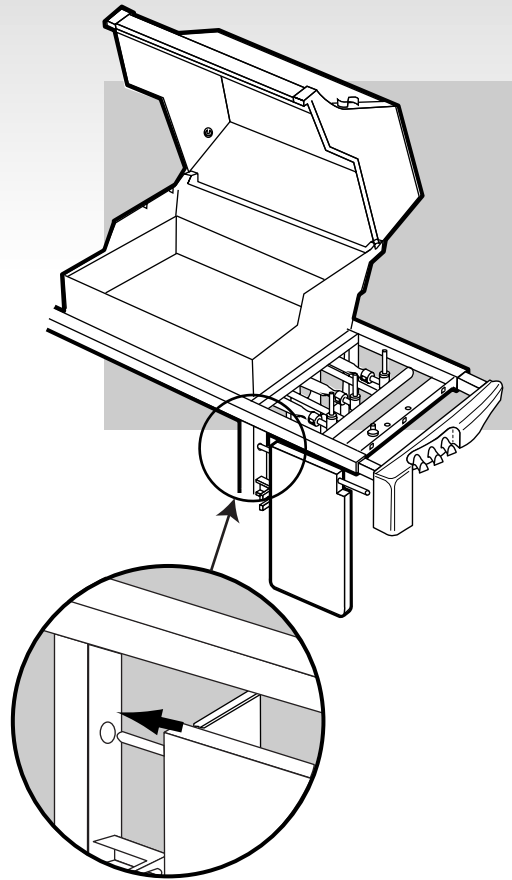
- 1.) Start the right end trim piece into the frame as shown, **do not push the trim piece in all of the way and do not add bolt yet.**



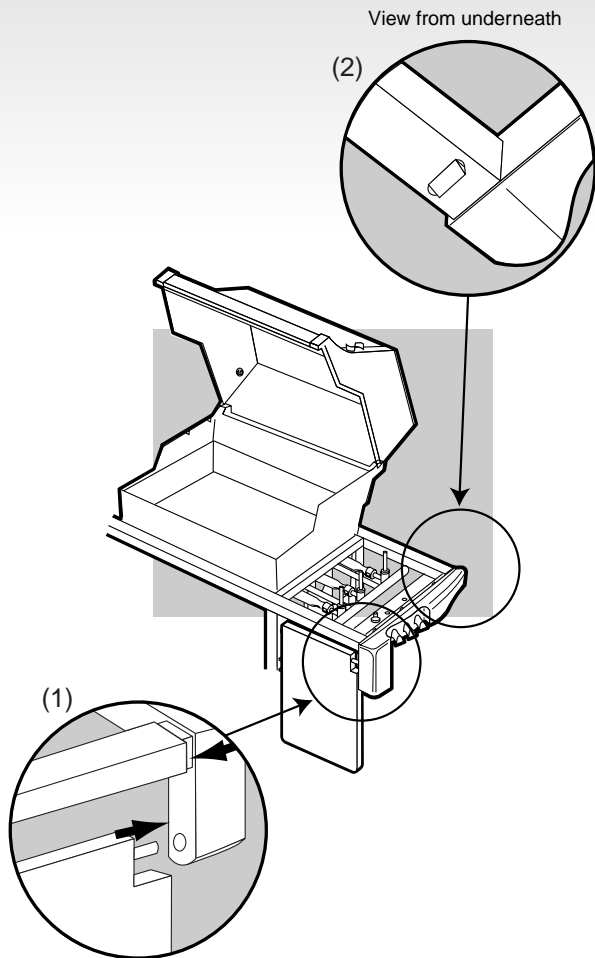
- 2.) Slide the swing-up work surface rod through the holes at the top of the swing-up work surface.



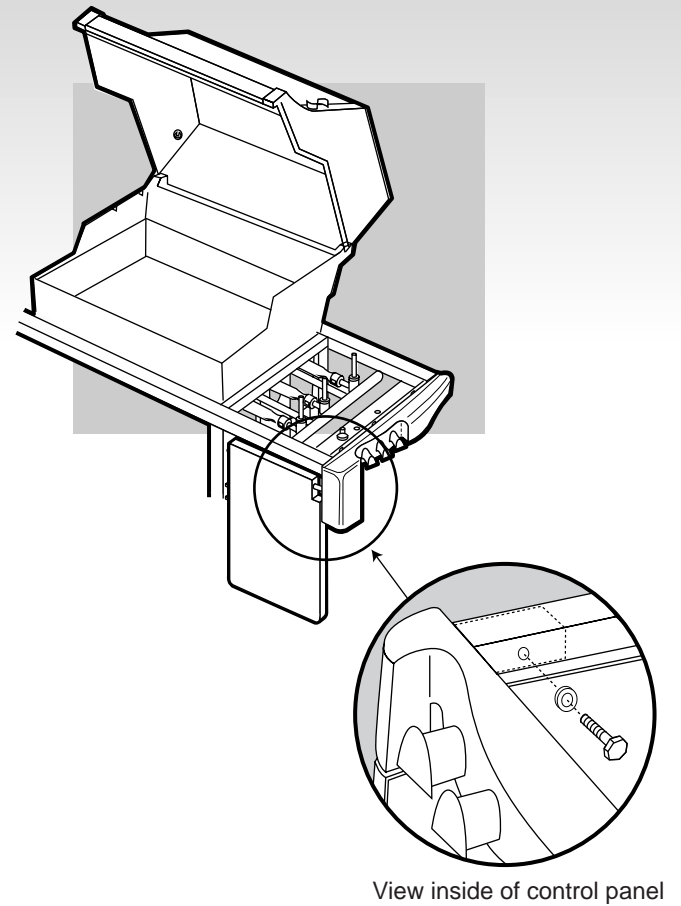
- 3.) Insert one end of the swing-up work surface rod into the hole in the frame.



- 4.) While holding swing-up work surface in position, insert the other end of the swing-up work surface rod into the right end trim piece (1). Push the trim piece into the frame as shown, making sure that the tab on the back underside piece of the trim piece is snapped into the slot in the rear frame (2).



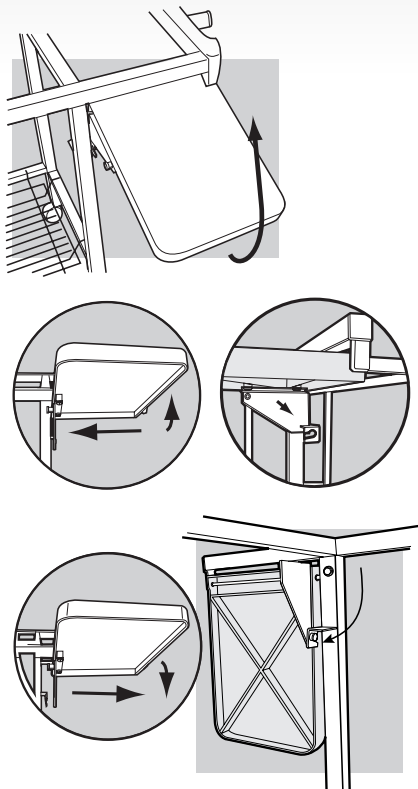
- 5.) Add a washer to the bolt and insert it through the front hole in the frame and the hole in the trim piece. Tighten with a wrench.



To raise swing-up work surface: Lift table all the way up and slide it to the left, then lower table until you feel it lock in the up position.

To lower swing-up work surface: Lift table up until it disengages and slide it to the right. Then lower it all the way down so that the locking pin on the right side of the table fits into the locking bracket on the leg, which will secure the table in the down position.

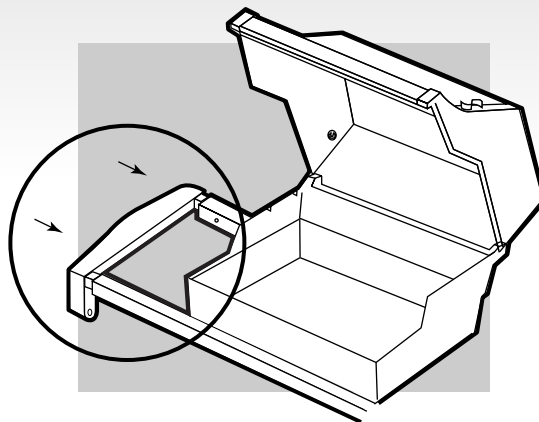
**Do not use the swing-up work surface as a cutting board.**



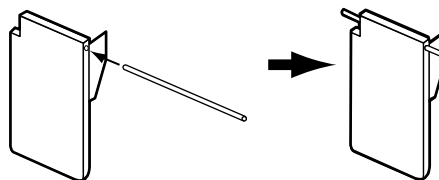
### Install the left end trim piece and swing-up work surface

*You will need: End trim piece, swing-up work surface, swing-up work surface rod, two 1/2 inch bolts, two nylon washers and a wrench*

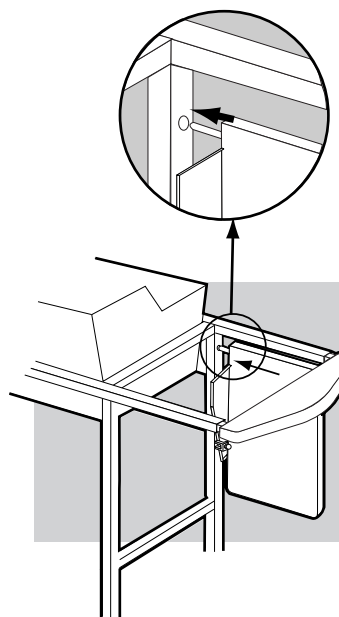
- 1.) Start the left end trim piece into the frame as shown, **do not push the trim piece in all of the way and do not add bolts yet.**



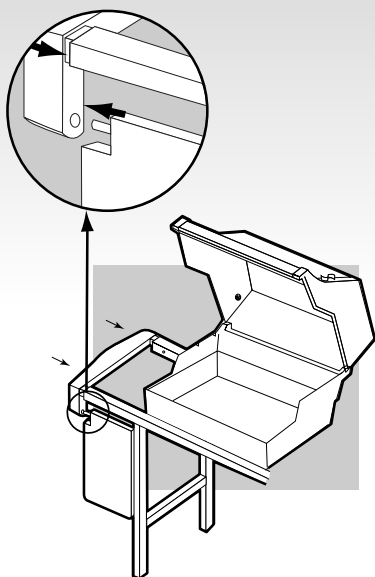
- 2.) Slide the swing-up work surface rod through the holes at the top of the swing-up work surface.



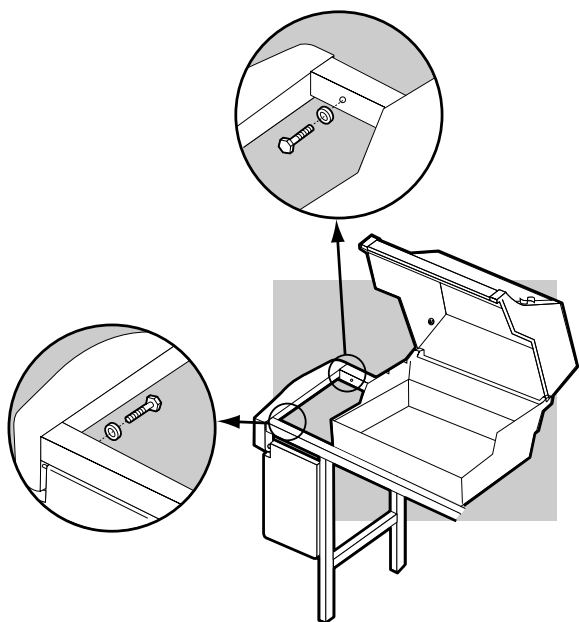
- 3.) Insert one end of the swing-up work surface rod into the hole in the frame.



- 4.) While holding swing-up work surface in position, insert the other end of the swing-up work surface rod into the left end trim piece. Push the trim piece into the frame.



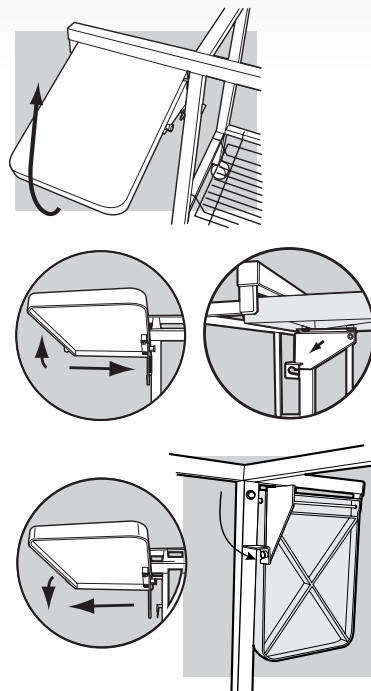
- 5.) Add a washer to the bolt and insert it through the hole in the frame and the hole in the trim piece. Tighten with a wrench.



To raise swing-up work surface: Lift table all the way up and slide it to the right, then lower table until you feel it lock in the up position.

To lower swing-up work surface: Lift table up until it disengages and slide it to the left. Then lower it all the way down so that the locking pin on the right side of the table fits into the latch on the leg, which will secure the table in the down position.

**Do not use the work surface as a cutting board.**

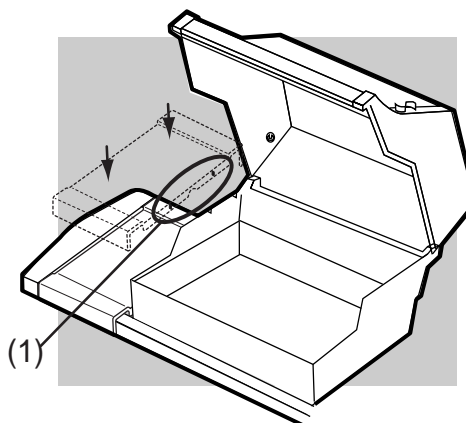


### Install the work surface

*You will need: work surface.*

Place the work surface, so that the front and back edges fit over the frame, in the area between the left trim piece and the cooking box as shown.

**Do not use the work surface as a cutting board.**

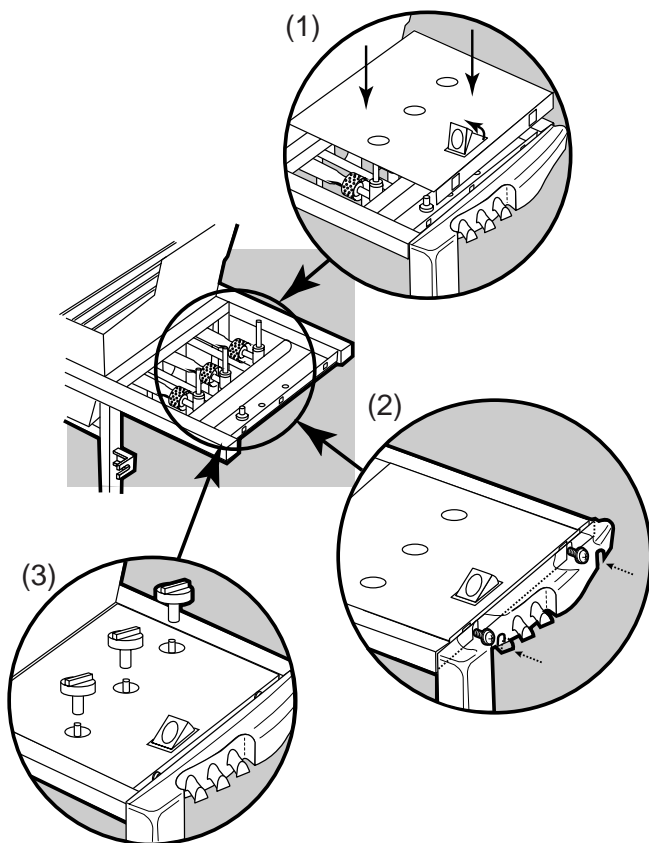


- (1) Make sure that the tabs on the side table are to the right, next to the cooking box.

### Install control panel and burner control knobs

You will need: control panel, two Phillips screws/washers, a Phillips screwdriver, and burner control knobs.

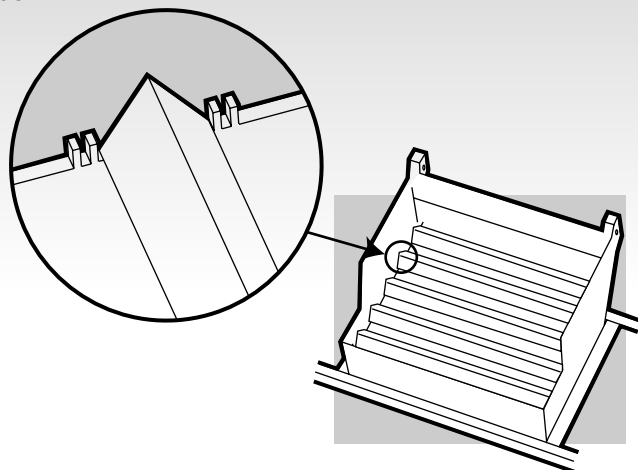
- 1) Set the control panel in place over both frame braces. Hold the Crossover Ignition button up while setting the control panel in place.
- 2) While looking under the right trim piece push the control panel down and line up the holes in the control panel with the white plastic plugs in the frame brace. Insert screws and tighten with a phillips screw driver until snug. Do not over tighten.
- 3) Push each of the burner control knobs onto their valve.



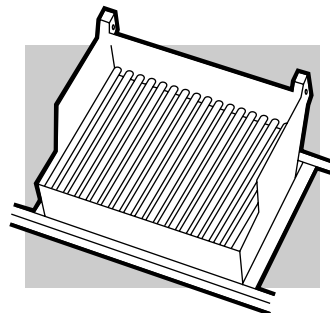
### Install Flavorizer® Bars and Cooking Grates

You will need: five Flavorizer Bars and two cooking grates.

Place the Flavorizer Bars side by side in the cooking box.



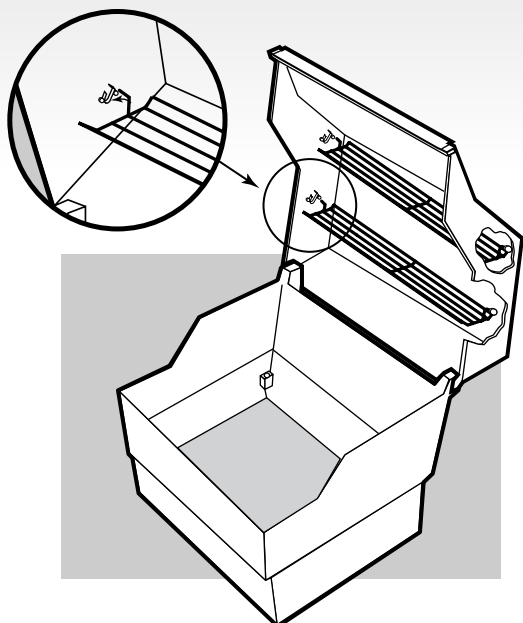
Set the cooking grates onto the ledges in the cooking box with the rounded sides up.



### Installing the Warm-Up™ Baskets

*You will need: Warm-Up Baskets*

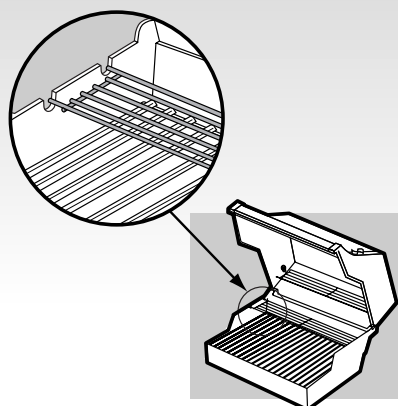
Insert one end of the Weber Warm-Up Basket into the front hole at the right side of the inside of the lid. Insert the other end into the front slot at the left side of the lid. Repeat this same step for the rear warm-up basket using the hole and slot on the inside rear of the lid.



### Installing the warming rack

*You will need: warming rack.*

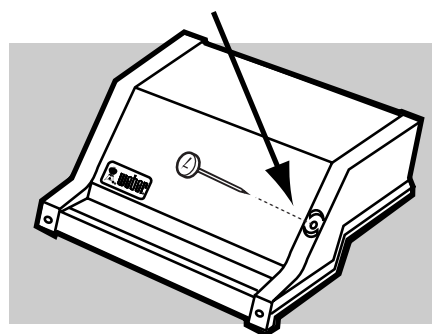
Set the warming rack into the slots at the rear of the cooking box.



### Install the thermometer

*You will need: Thermometer.*

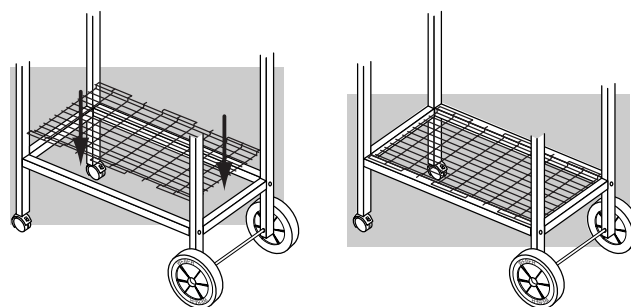
Insert the thermometer into its holder on the right side of the lid.



### Install the bottom shelf

*You will need: Bottom shelf.*

Set the bottom shelf in place between the two frame connectors underneath the cooking box.



# Operating

## Lighting

Summary lighting instructions are on the control panel.

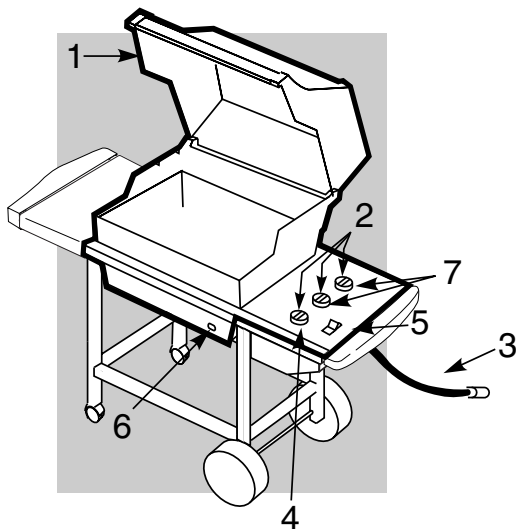
### **⚠ DANGER**

**Failure to open the lid while igniting the barbecue's burners, or not waiting 5 minutes to allow the gas to clear if the barbecue does not light, may result in an explosive flame-up which can cause serious bodily injury or death.**

### Crossover Ignition® System

*Note - The Crossover Ignition System ignites the Front burner with a spark from the igniter electrode inside the Gas Catcher™ Ignition Chamber. You generate the energy for the spark by pushing the Crossover Ignition Button until it clicks.*

**⚠ WARNING: Check hose before each use of barbecue for nicks, cracking, abrasions or cuts. If the hose is found to be damaged in any way, do not use the barbecue. Replace using only Weber authorized replacement hose. Contact the Customer Service Representative in your region using the contact information sheet provided with your manual.**



\*The grill illustrated may have slight differences than the model purchased.

- 1) Open the lid.
  - 2) Make sure all burner control knobs are turned OFF. (Push each burner control knob down and turn clockwise to ensure that they are in the off position.)
  - 3) Turn the gas supply valve on.  
**⚠ WARNING: Do not lean over the open barbecue. Keep your face and body at least one foot away from the matchlight hole when lighting the barbecue.**
  - 4) Push Front burner control knob down and turn to START/HI.
  - 5) Push the Crossover Ignition Button several times, so it clicks each time.
  - 6) Check that the burner is lit by looking through the matchlight hole on the front of the cooking box. You should see flame.  
**⚠ WARNING: If the burner does not light, turn the Front burner control knob to OFF and wait 5 minutes to let the gas clear before you try again, or try to light with a match.**
  - 7) After the FRONT burner is lit you can turn on the other burner or burners.
- Note - Always light the FRONT burner first. The other burner or burners ignite from the FRONT burner.*

## To Extinguish

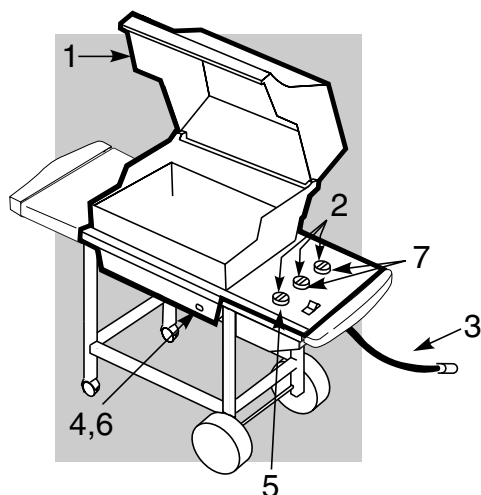
Push down and turn each burner control knob clockwise to the OFF position. Turn gas supply OFF at the source.

# Manual Lighting

## ⚠ DANGER

**Failure to open lid while igniting the barbecue's burners, or not waiting 5 minutes to allow the gas to clear if the barbecue does not light, may result in an explosive flame-up which can cause serious bodily injury or death.**

- 1) Open the lid.
- 2) Make sure all burner control knobs are turned OFF. (Push each burner control knob down and turn clockwise to ensure they are in the off position.)
- 3) Turn the gas supply valve on.
- 4) Strike a match and put the flame into the matchlight hole in the front of the cooking box.



\*The grill illustrated may have slight differences than the model purchased.

**⚠ WARNING: Do not lean over the open barbecue. Keep your face and body at least one foot away from the matchlight hole when lighting the barbecue.**

- 5) Push Front burner control knob down and turn to START/HI.
- 6) Check that the burner is lit by looking through the matchlight hole on the front of the cooking box. You should see a flame.

**⚠ WARNING: If the burner does not light, turn the Front burner control knob to OFF and wait 5 minutes to let the gas clear before you try again or try to light with a match.**

- 7) After the FRONT burner is lit you can turn on the other burner or burners.

*Note - Always light the FRONT burner first. The other burner or burners ignite from the FRONT burner.*

## To Extinguish

**Push down and turn each burner control knob clockwise to the OFF position. Turn gas supply OFF at the source.**

# Cooking

**⚠ WARNING: Do not move the Weber Gas Barbecue when operating or while barbecue is hot.**

You can adjust the FRONT and BACK burners as desired. The control settings: High (H), Medium (M), Low (L), or Off (O) are described in your Weber cookbook. The cookbook uses these notations to describe the settings of the FRONT and BACK burners. For example, to sear steaks, you would set all burners at H (high). Then to complete cooking, you would set FRONT and BACK at M (medium). Refer to your Weber cookbook for detailed cooking instructions.

*Note: The temperature inside your cooking box for the first few uses, while surfaces are still very reflective, may be hotter than those shown in your cookbook. Cooking conditions. Such as wind and weather, may require the adjustment of the burner controls to obtain the correct cooking temperatures.*

**⚠ CAUTION: Replace thermometer in lid when not in use. Do not leave thermometer in food while cooking.**

**If burners go out during cooking, open lid, turn off all burners and wait five minutes before relighting.**

**Preheating** - Your Weber Gas Barbecue is an energy-efficient appliance. It operates at an economical low BTU rate. To preheat: after lighting, close lid and turn all burners to high (HH). Preheating to between 500° and 550° F (260° and 290° C) will take 10 to 15 minutes depending on conditions such as air temperature and wind.

**Drippings and grease** - The Flavorizer® Bars are designed to “smoke” the correct amount of drippings for flavorful cooking. Excess drippings and grease will accumulate in the catch pan under the slide out bottom tray. Disposable foil drip pans are available that fit the catch pan.

**⚠ WARNING: Check the bottom tray for grease build-up before each use. Remove excess grease to avoid a grease fire in the slide out bottom tray.**

# Storage

■ When storing the Weber Gas Barbecue, make sure that the inside shut-off valve and/or locking outdoor shut-off valve is secured in the OFF position. When the Weber Gas Barbecue is stored indoors, the gas supply **MUST BE DISCONNECTED.**

■ After a period of storage and/or nonuse, the Weber Gas Grill should be checked for gas leaks and any obstructions in the burner tubes before using. (See “Maintenance” Section.)

- Check that the areas under the control panel and the slide out bottom tray are free from debris that might obstruct the flow of combustion or ventilation air.
- The Spider stopper guards should also be checked for any obstructions. (See “Maintenance” Section.)

# Cleaning

**⚠ WARNING: Turn your Weber Gas Barbecue OFF and wait for it to cool before cleaning.**

**⚠ CAUTION: Do not clean your Flavorizer® Bars or cooking grates in a self-cleaning oven.**

**For availability of replacement cooking grates and Flavorizer Bars contact the Customer Service Representative in your region using the contact information sheet provided with your manual.**

**Outside surfaces** - Use a warm soapy water solution to clean, then rinse with water.

**⚠ CAUTION: Do not use oven cleaner, abrasive cleansers (kitchen cleansers) cleaners that contain citrus products, or abrasive cleaning pads on barbecue or cart surfaces.**

**Slide out Bottom tray** - Remove excess grease, then wash with warm soapy water, then rinse

**Flavorizer® Bars and Cooking Grates** - Clean with a suitable brass bristle brush. As needed, remove from grill and wash with warm soapy water, then rinse with water.

**Catch pan** - Disposable foil trays are available, or you can line the catch pan with aluminum foil. To clean the catch pan, wash with warm soapy water, then rinse.

**Thermometer** - Wipe with warm soapy water; clean with plastic scrub ball. Do not put in dishwasher or submerge in water.

**Inside cooking module** - Brush any debris off of burner tubes. **DO NOT ENLARGE BURNER PORTS (OPENINGS).** Wash inside of cooking box with warm soapy water and a water rinse.

**Inside Lid** - While lid is warm, wipe inside with paper towel to prevent grease build-up. Flaking built-up grease resembles paint flakes.

**Stainless steel surfaces** - Wash with a soft cloth and a soap and water solution.

**Plastic surfaces** - Wash with a soft cloth and a soap and water solution.

**Do not use cleaners that contain acid, mineral spirits or xylene. Rinse well after cleaning.**

**Plastic work surfaces are not to be used as cutting boards.**

# Annual Maintenance

After a period of nonuse, we recommend that you perform the following maintenance procedures for your safety.

**⚠ WARNING:** Check the hose before each use of the barbecue for nicks, cracking, abrasions or cuts. If the hose is found to be damaged in any way, do not use the barbecue. Replace using only Weber authorized replacement hose. Contact the Customer Service Representative in your region using the contact information sheet provided with your manual.

■ Inspect the burners for correct flame pattern. Clean if necessary, following the procedures outlined in the "General Maintenance" section of this manual.

■ Check all gas fittings for leaks.

## **⚠ DANGER**

**Do not use an open flame to check for gas leaks. Be sure there are no sparks or open flames in the area while you check for leaks. Sparks or flames will result in a fire or explosion, which can cause serious bodily injury or death, and damage to property.**

**⚠ WARNING:** You should check for gas leaks every time you disconnect and reconnect a gas fitting.

*Note - All factory-made connections have been thoroughly checked for gas leaks. The burners have been flame tested. As a safety precaution however, you should recheck all fittings for leaks before using your Weber Gas Barbecue. Shipping and handling may have loosened or damaged a gas fitting.*

**⚠ WARNING:** Perform these leak checks even if your barbecue was dealer- or store-assembled.

You will need: a soap and water solution and a rag or brush to apply it.

To perform leak checks: Make sure all Burners are in the off position. Turn on gas supply.

**⚠ WARNING:** Do not ignite burners while leak checking.

Check for leaks by wetting the connections with the soap and water solution and watching for bubbles. If bubbles form, or if a bubble grows, there is a leak.

*Note - Since some leak test solutions, including soap and water, may be slightly corrosive, all connections should be rinsed with water after checking for leaks.*

Check:

1) Hose-to-manifold connection.

**⚠ WARNING:** If there is a leak at the hose-to-manifold connection(1), retighten the hose fitting with a wrench and recheck for leaks with soap and water solution.

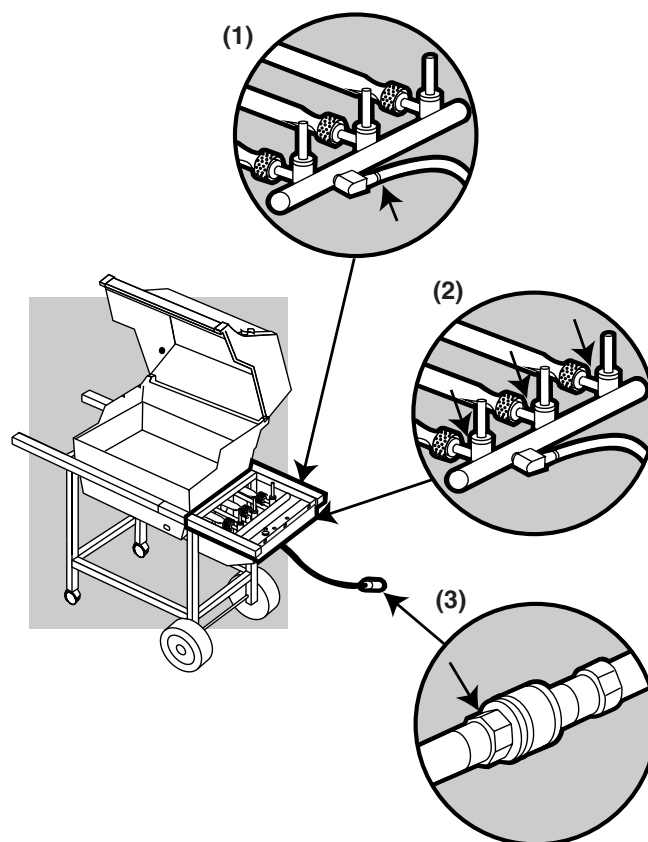
If a leak persists after retightening the fitting, turn OFF the gas. **DO NOT OPERATE THE BARBECUE.** Contact the Customer Service Representative in your region using the contact information sheet provided with your manual.

2) Valves-to-manifold connections.

3) The hose-to quick-disconnect connection.

**⚠ WARNING:** If there is a leak at connections (2) or (3), turn OFF the gas. **DO NOT OPERATE THE BARBECUE.** Contact the Customer Service Representative in your region using the contact information sheet provided with your manual.

When leak checks are complete, turn gas supply OFF at the source and rinse connections with water.



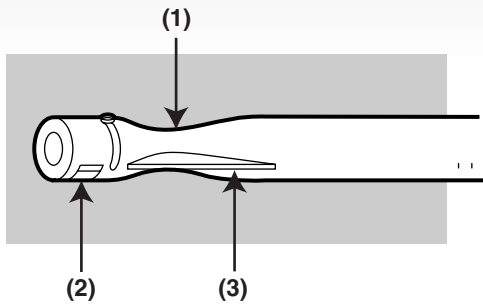
## Inspection and Cleaning of the Weber Spider Stopper™ Guards

To inspect the Spider Stopper Guards, remove the control panel and look to see if they have dust or dirt on their outside surfaces. If they are dirty, brush off the outside surface of the Spider Stopper Guards with a soft bristle brush (an old toothbrush for example). Check that there are no gaps in the Spider Stopper Guards' seams or in the fit around the burners or valves. (See Section "General Maintenance.")

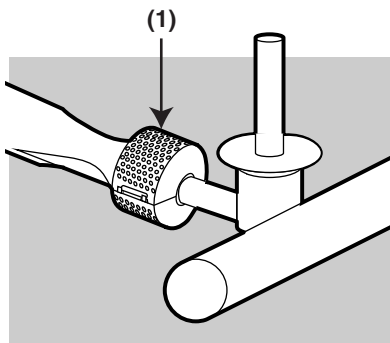
# General Maintenance

## Weber Spider Stopper™ Guards

Your Weber Gas Barbecue, as well as any outdoor gas appliance, is a target for spiders and other insects. They can nest in the venturi section (Venturi(1), air shutter(2), venturi fin(3) ) of the burner tubes. This blocks the normal gas flow, and can cause the gas to flow back out of the air shutter. This could result in a fire in and around the air shutters, under the control panel, causing serious damage to your barbecue.



The Weber Spider Stopper™ Guard(1) is factory installed. It fits tightly around the air shutter section of the burner tube and the valve, thereby preventing spiders and other insects access to the burner tubes through the air shutter openings.



We recommend that you inspect the Weber Spider Stopper Guards at least once a year. (See Section “Annual Maintenance”.) Also inspect and clean the Spider Stopper Guards if any of the following symptoms should ever occur:

- 1) The smell of gas in conjunction with the burner flames appearing yellow and lazy.
- 2) Barbecue does not reach temperature.
- 3) Barbecue heats unevenly.
- 4) One or more of the burners do not ignite.

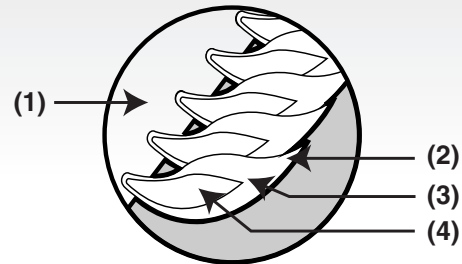
### ⚠ DANGER

Failure to correct the above mentioned symptoms may result in a fire, which can cause serious bodily injury or death, and cause damage to property.

## Main Burner Flame Pattern

The Weber Gas Barbecue burners have been factory set for the correct air and gas mixture. The correct flame pattern is shown.

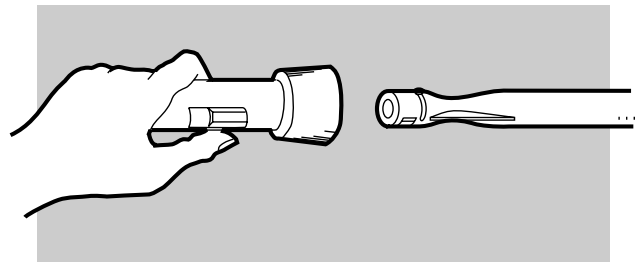
- 1) Burner tube
- 2) Tips occasionally flicker yellow
- 3) Light blue
- 4) Dark blue



If the flames do not appear to be uniform throughout the burner tube, follow the burner cleaning procedures.

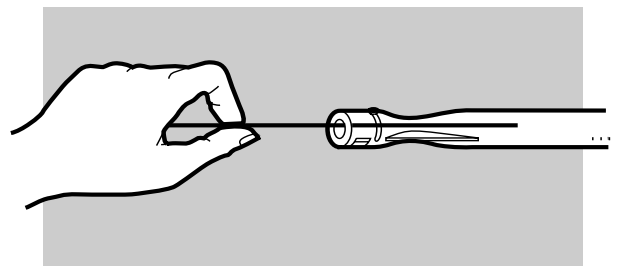
## Main Burner Cleaning Procedure

**Turn off the gas supply.** Remove the manifold. Look inside each burner with a flashlight.



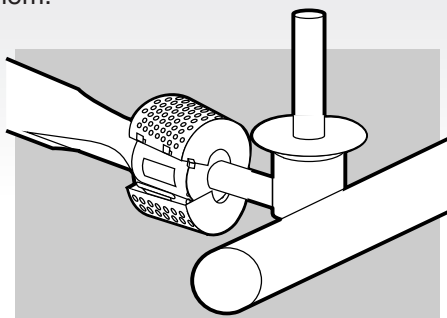
Clean the inside of the burners with a wire (a straightened-out coat hanger will work). Check and clean the air shutter opening at the ends of the burners. Check and clean the valve orifices at the base of the valves. Use a brass bristle brush to clean outside of burners. This is to make sure all the burner ports are fully open.

**CAUTION: Do not enlarge the burner ports when cleaning.**

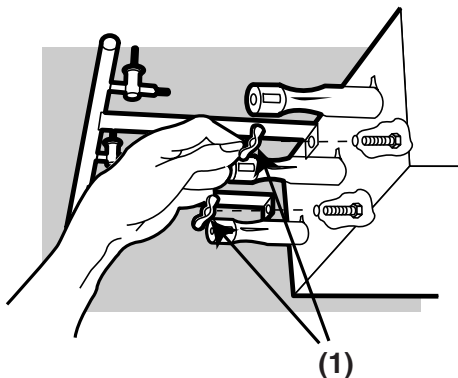


## Replacing Main Burners

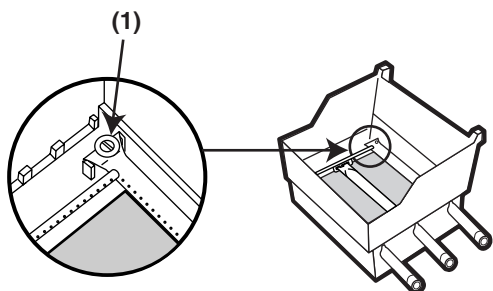
- 1) Your Weber Gas Barbecue must be OFF and cool.
- 2) Turn gas OFF at source.
- 3) To remove control panel: take off the burner control knobs. Remove the screws holding the control panel in place. Lift off the control panel.
- 4) Unlatch the Spider Stopper™ Guards and remove them.



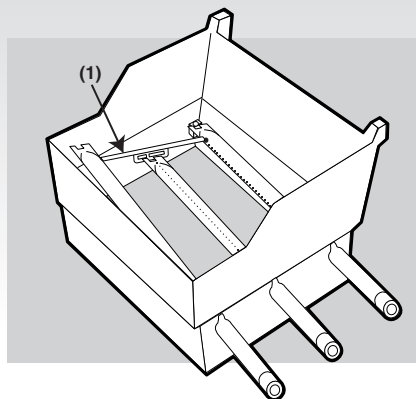
- 5) Remove the manifold bracket and unscrew the two wing nuts(1) that hold the manifold to the cooking box. Pull the manifold and valve assembly out of the burners and carefully set it down.



- 6) Slide the burner assembly out from under the guide screw and washer(1) in the corners of the cooking box.

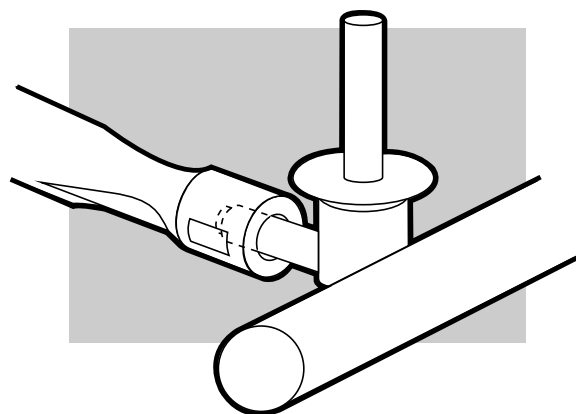
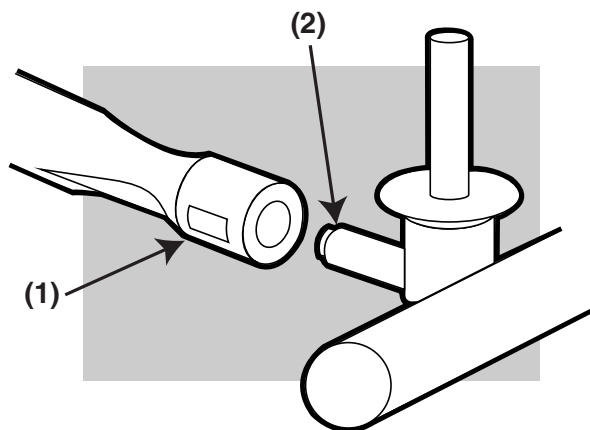


- 7) Lift and twist the burner assembly slightly, to separate the crossover tube(1) from the burners. Remove the burners from the cooking box.

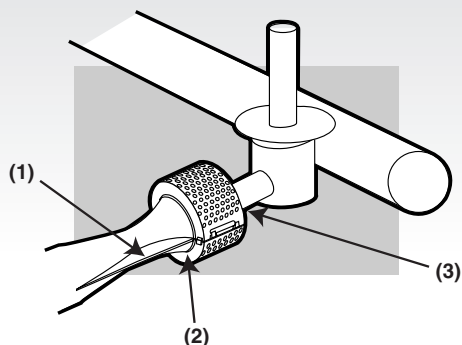


- 8) To reinstall the burners, reverse 3) through 7).

**⚠ CAUTION: The burner openings(1) must be positioned properly over the valve orifices(2).** Check proper assembly before fastening manifold in place.



- 9) Reinstall the Spider Stopper Guards. Slightly rotate the Spider Stopper Guards so that the seams are in line with the Venturi fins(1). There should be no gaps in the seams or in the fit around the burners(2) and valves(3).

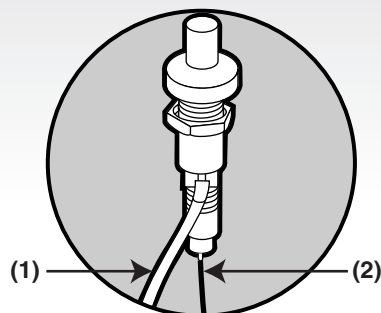


**⚠ CAUTION:** If the Spider Stopper Guards do not fit tightly, contact the Customer Service Representative in your region using the contact information sheet provided with your manual.  
**⚠ WARNING:** After reinstalling the gas lines, they should be leak checked with a soap and water solution before using the barbecue. (See Step: "Check for gas leaks.")

## Crossover® Ignition System Operations

If the Crossover Ignition System fails to ignite the Left burner, light the Left burner with a match. If the Left burner lights with a match, then check the Crossover Ignition System.

- Check that both the white(1) and black(2) ignition wires are attached properly.



- Check that the Crossover Ignition button pushes the igniter (button) down, and returns to the up position.
  - Check to see if the igniter is loose in the frame. Tighten if necessary; See Step "Install igniter" for correct procedure.
- If the Crossover Ignition System still fails to light, Contact the Customer Service Representative in your region using the contact information sheet provided with your manual.

# Troubleshooting

| Problem  | Check  | Cure  |
|--|--|---|
| <b>Burners burn with a yellow or orange flame, in conjunction with the smell of gas.</b>   | Inspect Weber Spider Stopper Guards for possible obstructions. (Blockage of holes.)  | Clean Weber Spider Stopper Guards. (See Section "Annual Maintenance")                     |
| <b>Burner does not light, or flame is low in HIGH position.</b>  | Is fuel hose bent or kinked?   | Straighten fuel hose.   |
|  | Does the Front burner light with a match?  | If you can light the Front burner with a match, then check the Crossover Ignition System. |
| <b>Experiencing flare-ups:</b><br><br><b>⚠ CAUTION: Do not line the bottom tray with aluminum foil.</b>  | Are you preheating barbecue in the prescribed manner?  | All burners on high for 10 to 15 minutes for preheating.                                  |
|  | Are the cooking grates and Flavorizer bars heavily coated with burned-on grease?   | Clean thoroughly. (See Section "Cleaning")  |
|  | Is the bottom tray "dirty" and not allowing grease to flow into catch pan?   | Clean bottom tray   |
| <b>Burner flame pattern is erratic. Flame is low when burner is on HIGH. Flames do not run the whole length of the burner tube.</b>  | Are burners clean?   | Clean burners. (See Section "General Maintenance".)                                       |
| <b>Inside of lid appears to be "peeling." (Resembles paint peeling.)</b>   | The lid is porcelain-on-steel, not paint. It cannot "peel". What you are seeing is baked on grease that has turned to carbon and is flaking off.<br><b>THIS IS NOT A DEFECT.</b> | Clean thoroughly. (See Section "Cleaning".)   |
| <b>If problems cannot be corrected by using these methods, please contact the Customer Service Representative in your region using the contact information sheet provided with your manual</b> |  |   |