

This Owner's Manual is provided and hosted by Appliance Factory Parts.



Weber ONE TOUCH PLATINUM 18 1/2 INCH Owner's Manual

[Shop genuine replacement parts for Weber ONE TOUCH PLATINUM 18 1/2 INCH](#)



[Find Your Weber Grill Parts - Select From 2037 Models](#)

----- Manual continues below -----



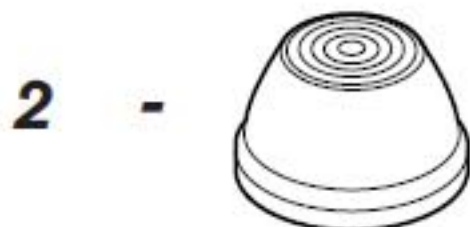
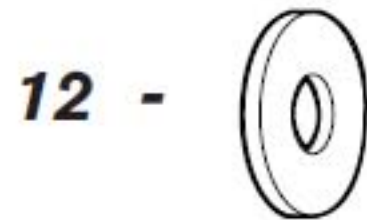
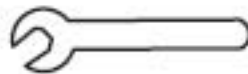
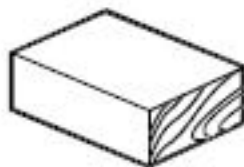
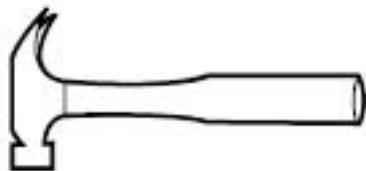
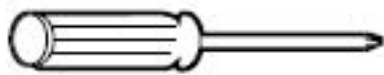
ONE-TOUCH[®] PLATINUM

18½ inch
(47 cm)

22½ inch
(57 cm)



2



1 -



1 -



1 -



1 -



2 -



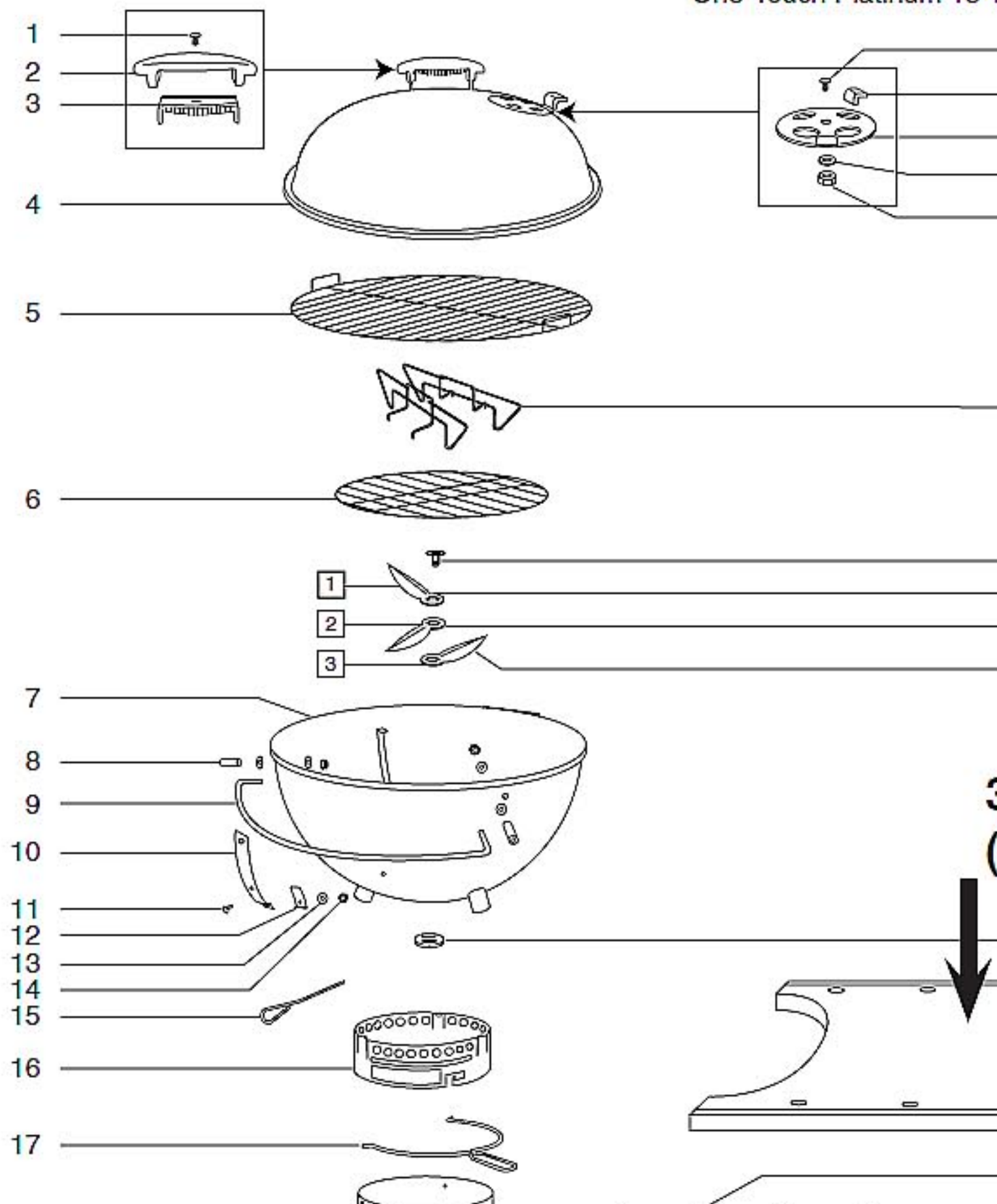
1 -



1 -

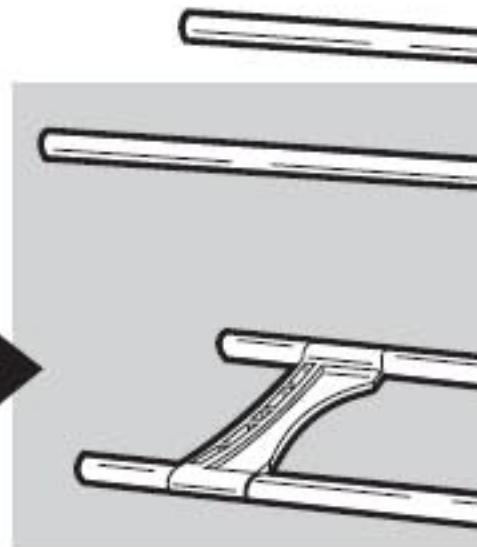
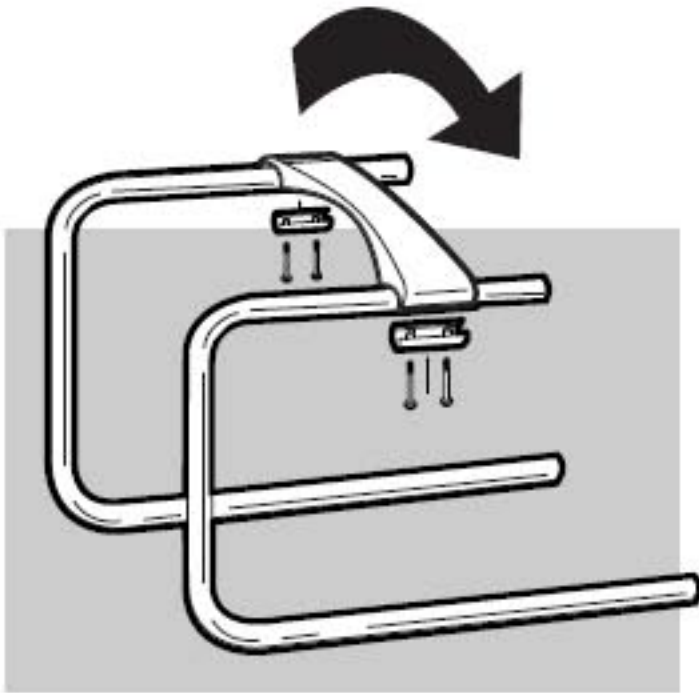


One-Touch Platinum 18 1

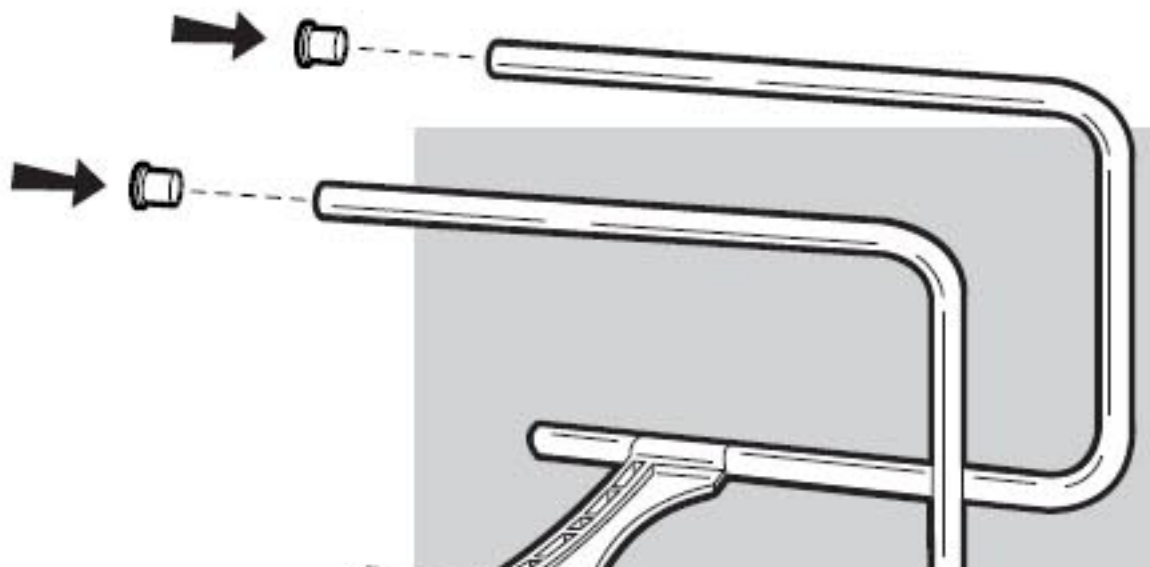


1

(4 - 




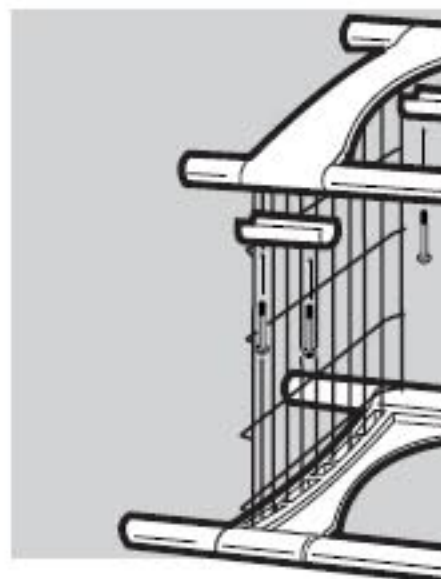
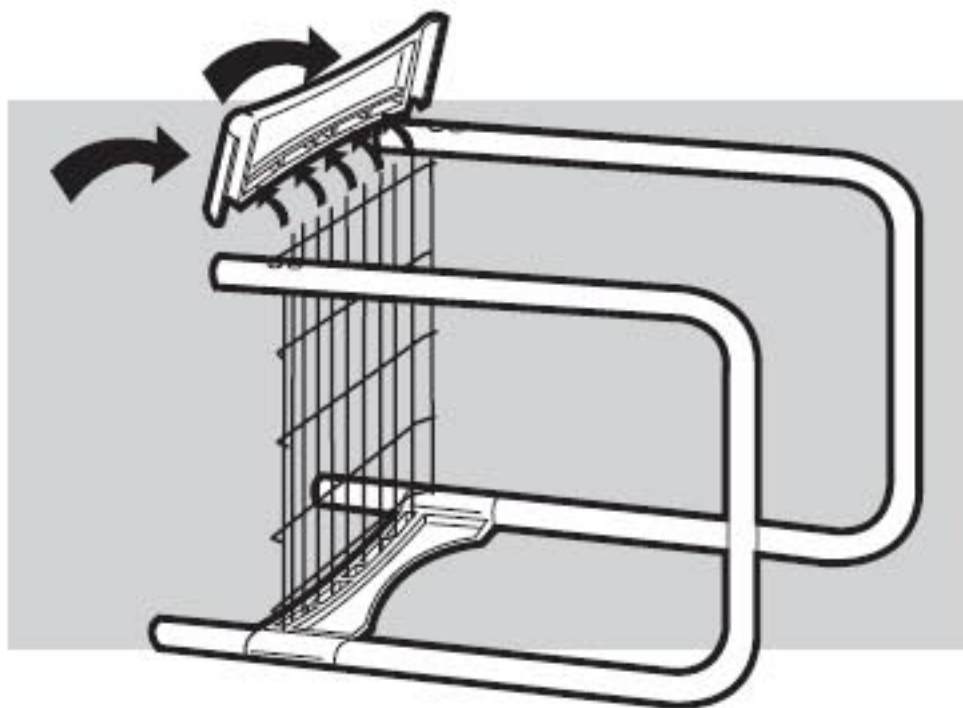
2



6

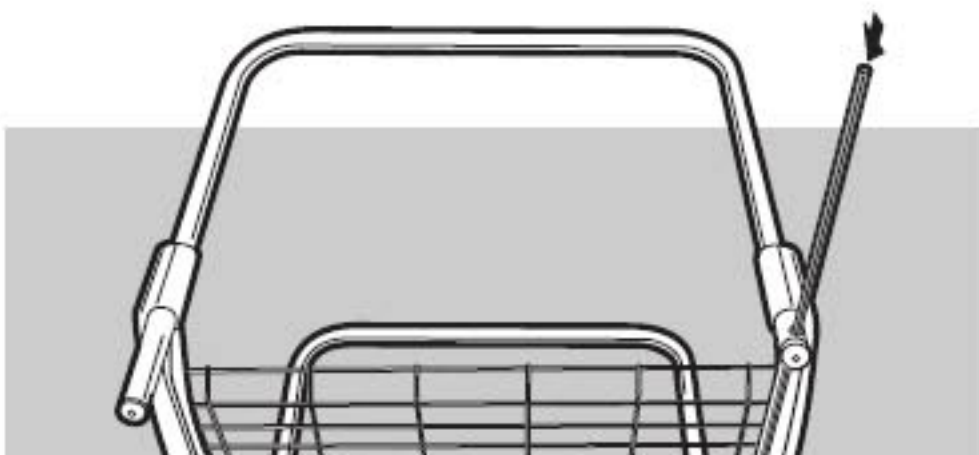
④

(4 - )



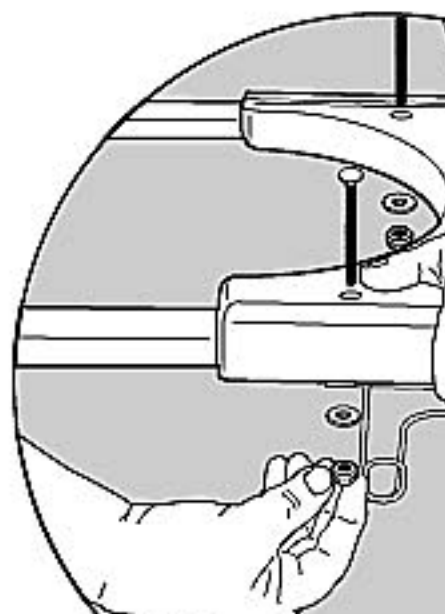
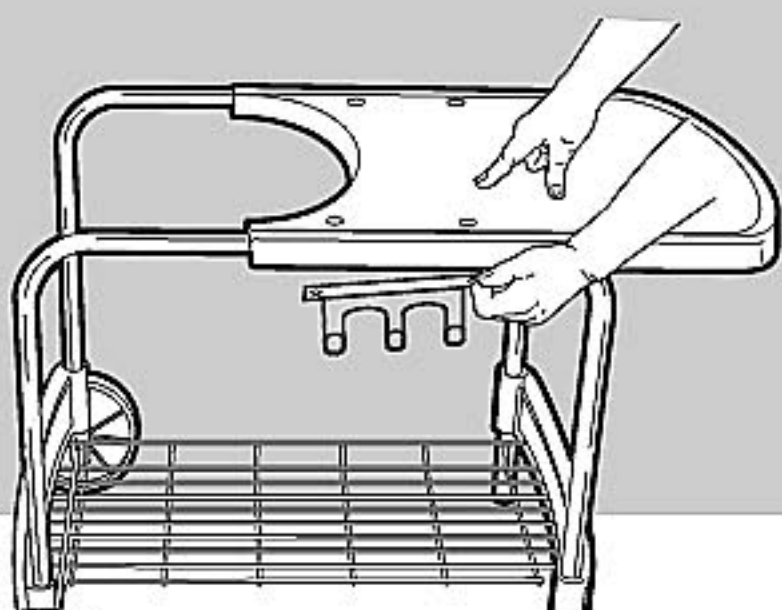
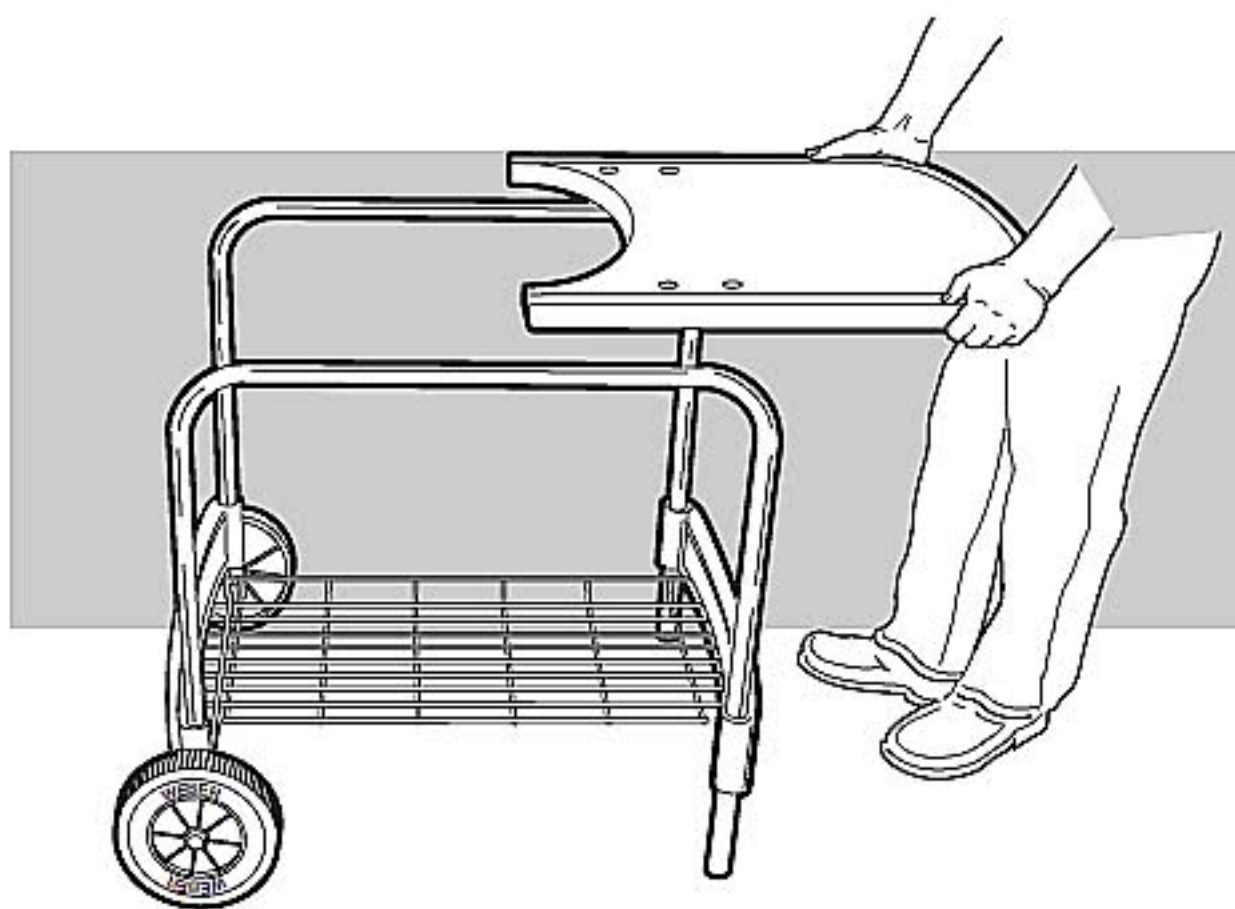
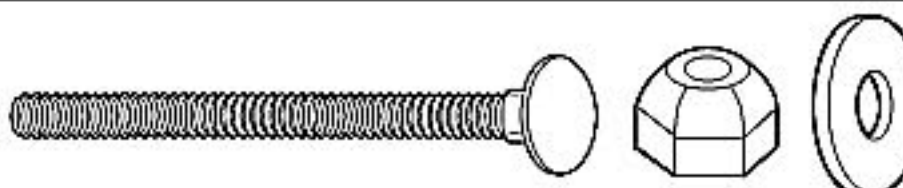
⑤

(2 - ) 

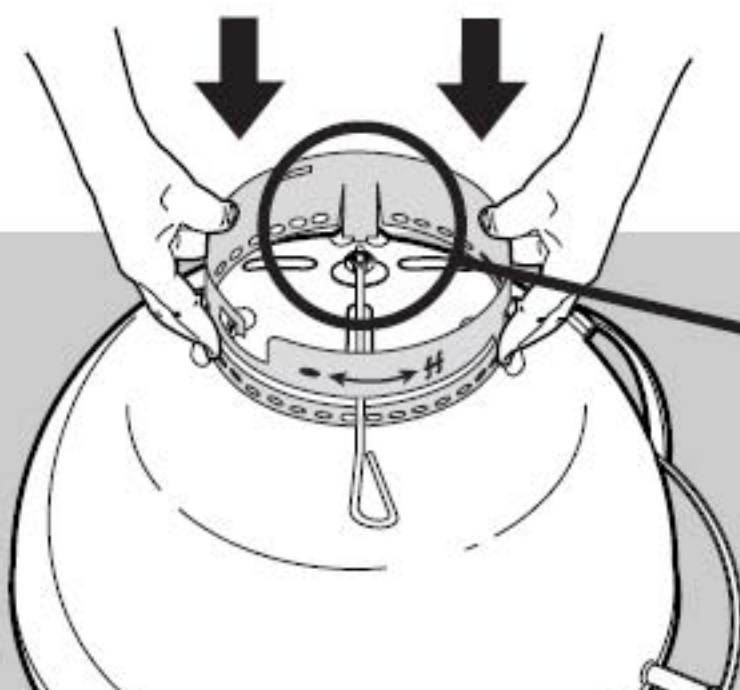
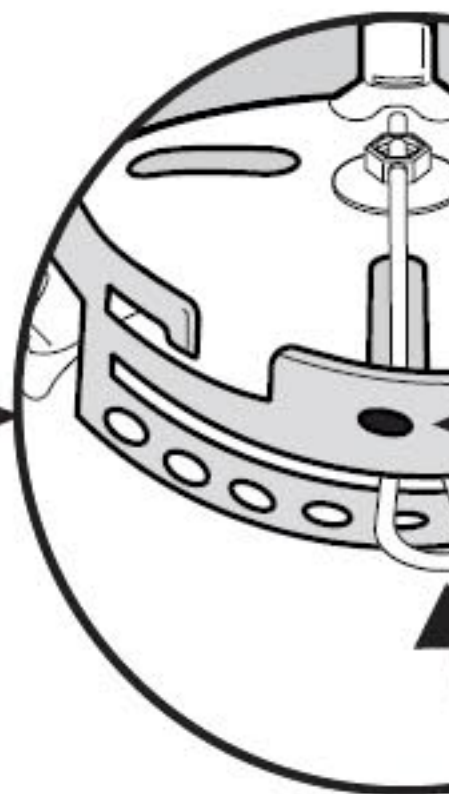
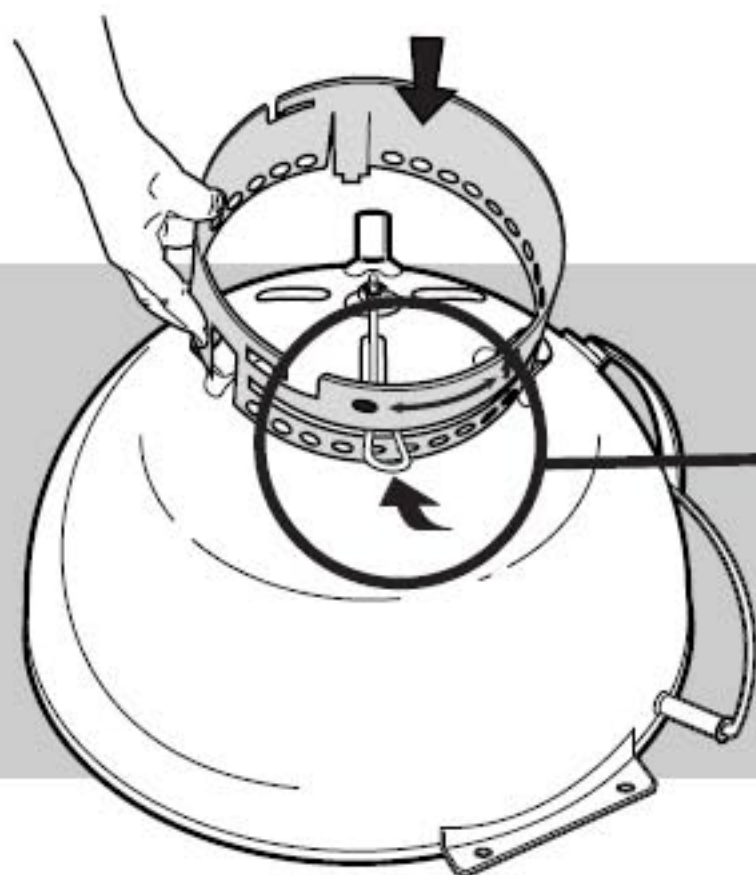


6

(4 -

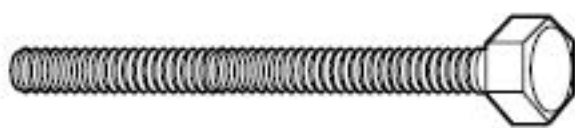


7

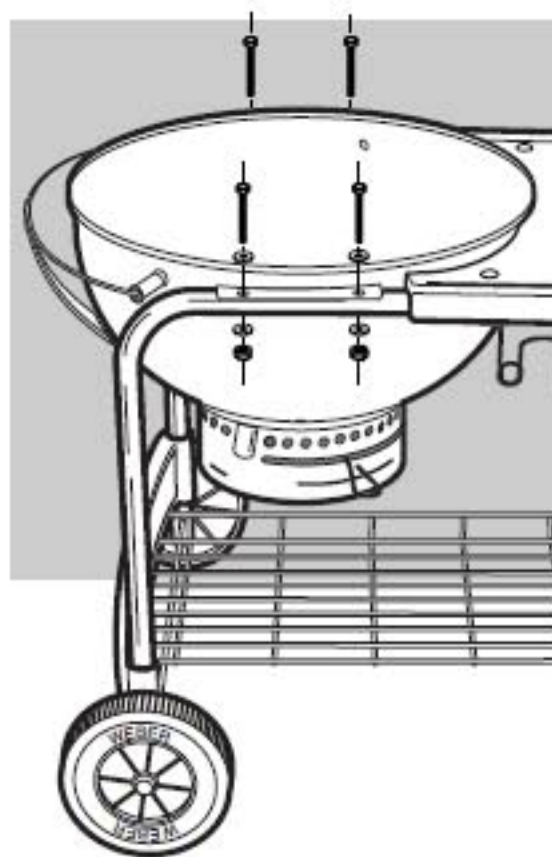
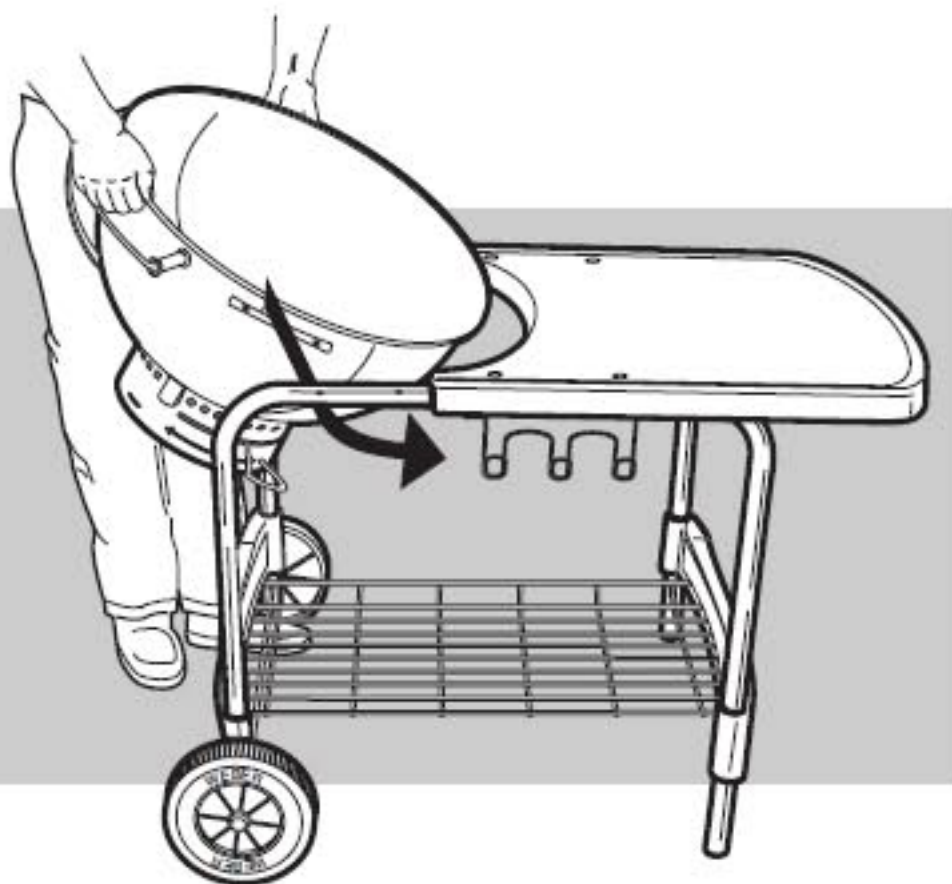


8

(4 -



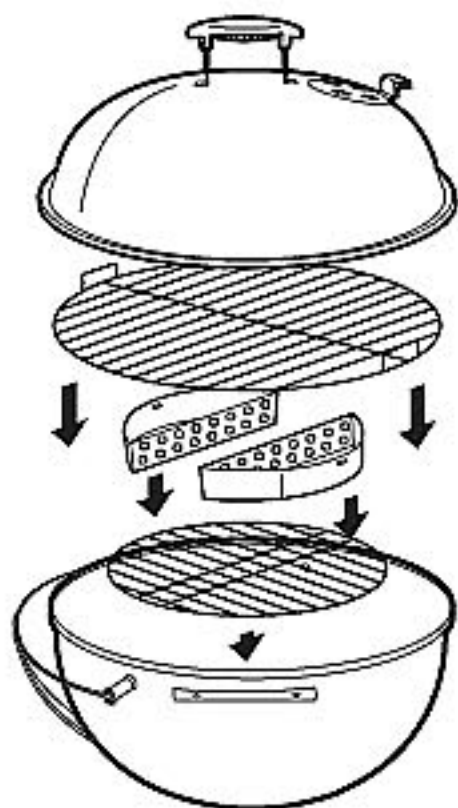
) (8 -



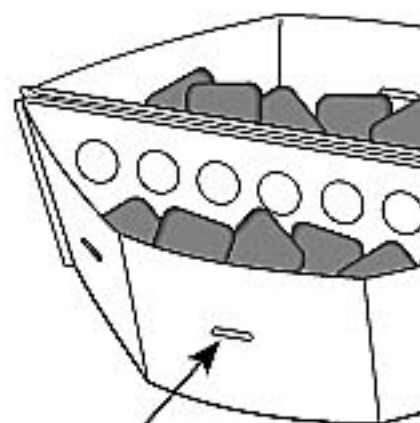
9



Charcoal Basket Inst



**22½ inch
(57 cm)**



US

Charcoal baskets allow for convenient Indirect and concentrated Direct cooking. Always fill to the line to mark the recommended fill line.

PT

As cestas de carvão vegetal proporcionam um cozimento direto concentrado e indireto. As ranhuras na cesta marcam a linha de enchimento recomendada.

NO

Kullkurver tillater lettvis indirekte og konsentrert direkte steking. Rillen på kullet markerer anbefalte feltområde.

DK

Trækulskurv medfølger til praktisk indirekte og koncentreret direkte madlavning. Rillen på kullet hvortil kullene bør fyldes.

ES

Las canastas para el carbón permiten cocinar con cocción Indirecta, una manera igual que con cocción Directa, una manera concentrada. Las muescas en la cesta marcan la línea recomendada de llenado.

FI

Hiilikorit mahdollistavat epäsuoran ja keskitetyn suoran grillauksen. Korissa oleva rillä suositetun täyttöviivan.

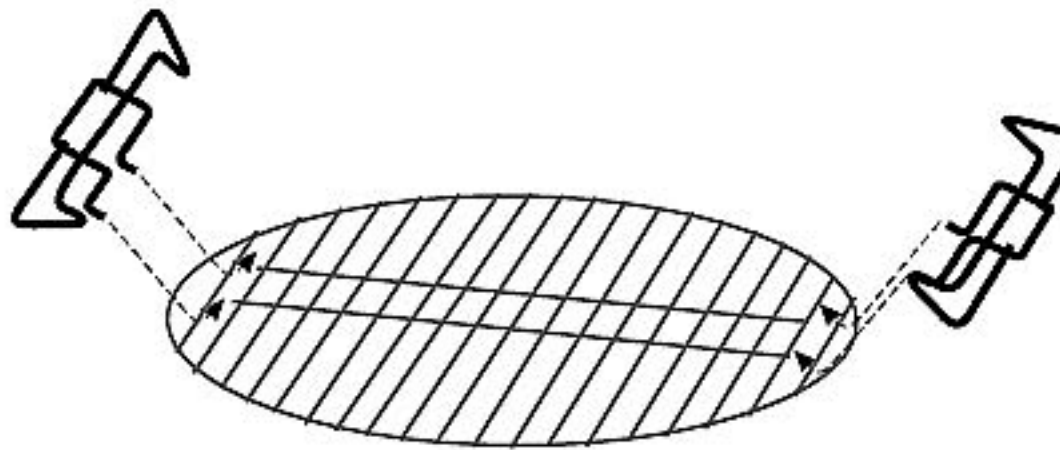
FR

Les paniers à charbon de bois facilitent la cuisson directe ou indirecte. Leur niveau de remplissage recommandé.

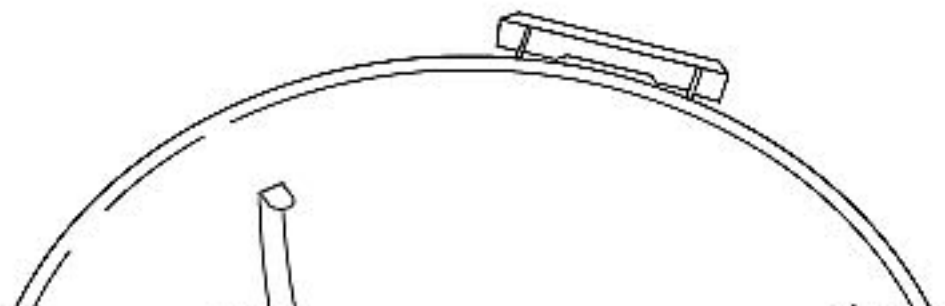
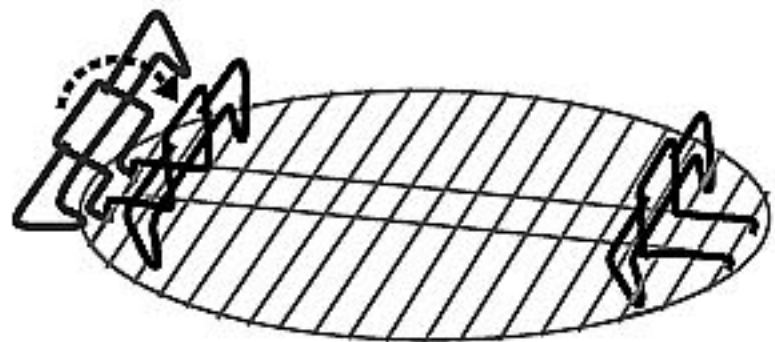
CHARCOAL DIVIDERS INSTRUCTION

**18½ inch
(47 cm)**

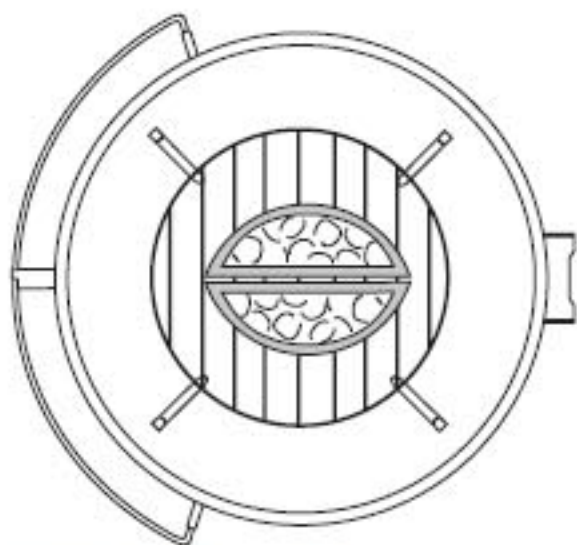
①



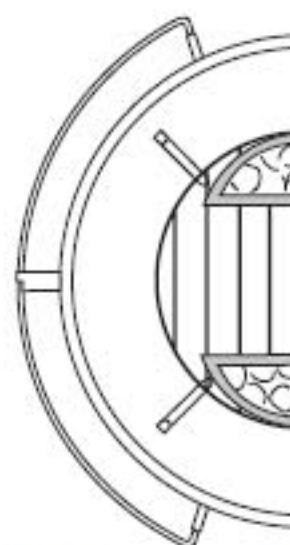
②



12



DIRECT COOKING

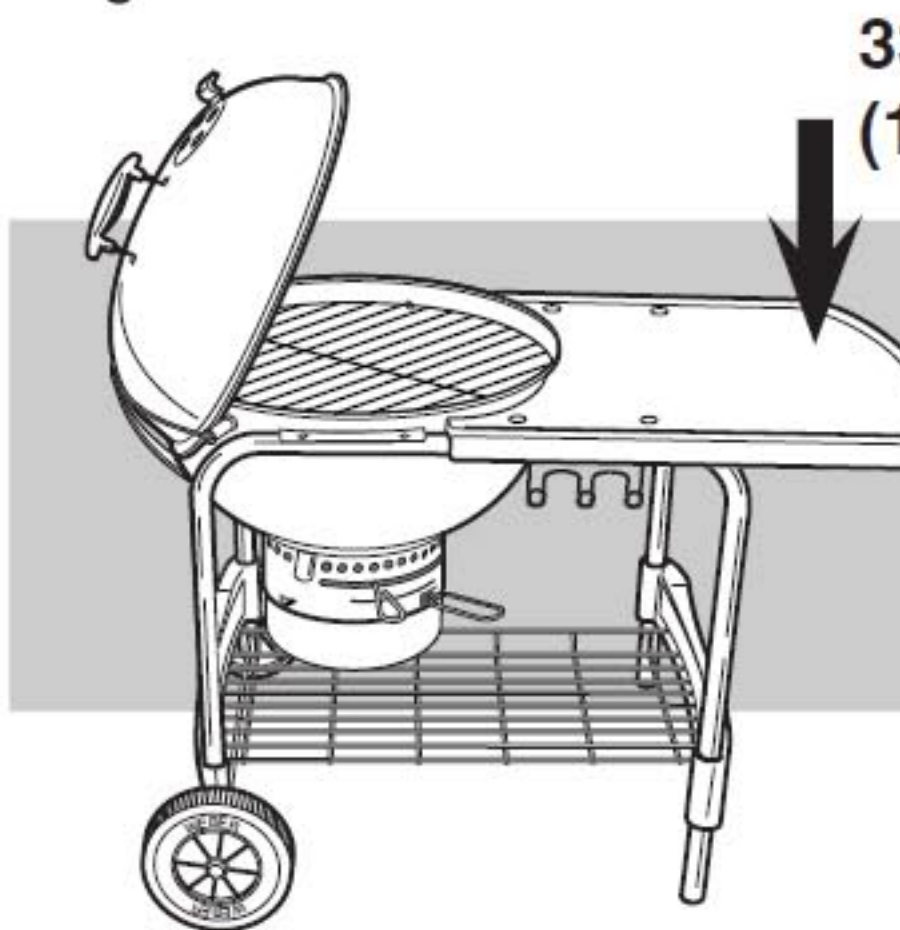
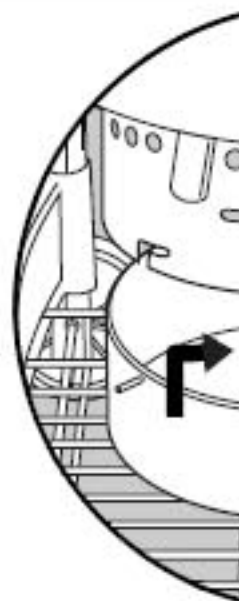
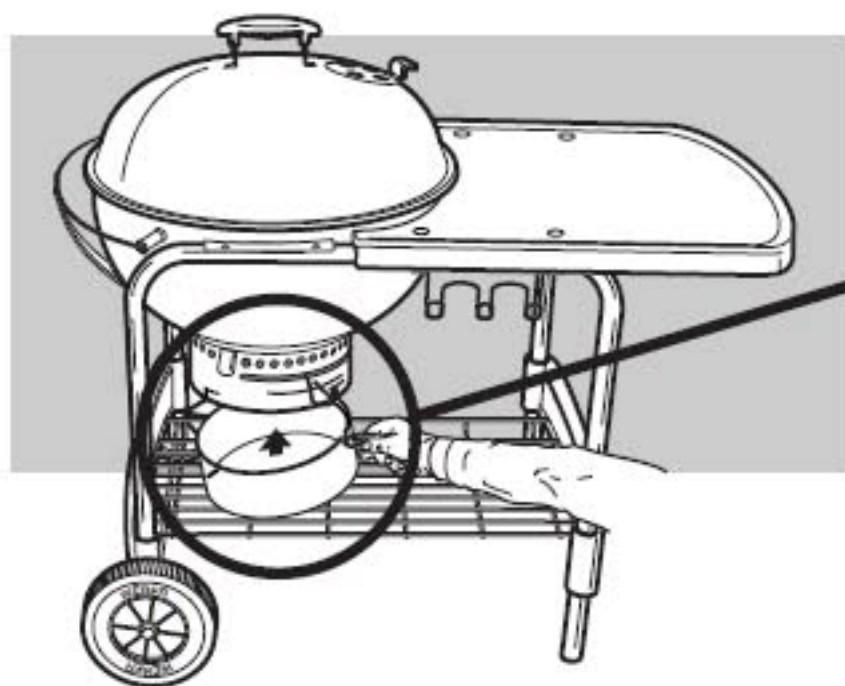


INDIRECT

US

Direct Cooking: Place Char-Baskets with flat sides together in center of charcoal.
Indirect Cooking: Place Char-Baskets on sides of kettle with "flaps" of hinged cooking.

10





Weber-Stephen Products Co., (Weber) hereby warrants to the ORIGINAL PURCHASER of this Weber One-Touch[®] Gold, One-Touch[®] Platinum, Smokey Mountain Cooker[™], and Ranch[®] grills, that it will workmanship from the date of purchase as follows:

Cooking / Charcoal grates	1 y
Stainless Steel One-Touch [™] Cleaning System (One-Touch [®] Platinum)	10
Bowl and lid against rust / burn-through	10
Nylon handles	10
Thermoplastic/Thermoset Parts(One-Touch [®] Platinum)	10
All remaining parts	5 y

When assembled and operated in accordance with the printed instructions accompanying it. Weber may require receipt of purchase. THEREFORE, YOU SHOULD RETAIN YOUR SALES SLIP OR INVOICE AND RETURN THE WEBER LIMITED WARRANTY CARD IMMEDIATELY.

This Limited Warranty shall be limited to the repair or replacement of parts which prove defective under normal use. Examination shall indicate to Weber's satisfaction they are defective. If Weber confirms the defect and approves the replacement, we will replace such parts without charge. If you are required to return defective parts, transportation charges must be prepaid by the purchaser, carriage or postage prepaid.

This Limited Warranty does not cover any failures or operating difficulties due to accident, abuse, misuse, alteration, improper installation or improper maintenance or service, or failure to perform normal and routine maintenance. Damage due to weather conditions such as hail, hurricanes, earthquakes or tornadoes, discoloration due to exposure to chemicals, is not covered by this Limited Warranty.

There are no other express warranties except as set forth herein, and any applicable implied warranties of merchantability are limited in duration to the period of coverage of this express written Limited Warranty. Some regions do not allow limitation of damages, so this limitation may not apply to you.

Weber is not liable for any special, indirect or consequential damages. Some regions do not allow the exclusion or limitation of consequential damages, so this limitation or exclusion may not apply to you.

Weber does not authorize any person or company to assume for it any other obligation or liability in connection with the sale, return or replacement of its equipment; and no such representations are binding on Weber.