



ONE-TOUCH[®] SILVER

18½ inch
(47 cm)

22½ inch
(57 cm)



One-Touch[®] Silver

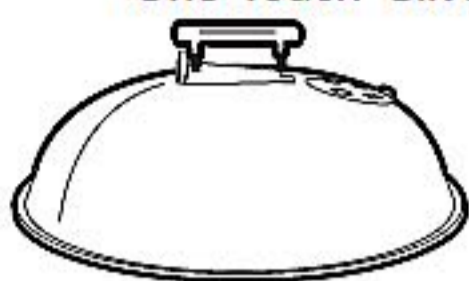


One-Touch[®] Silver Limited

30791

One-Touch® Silver Limited

1 -



One-Touch® Silver

1 -



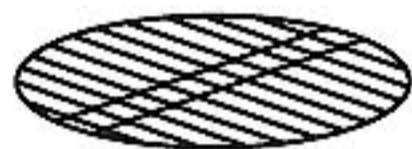
1 -



1 -



1 -



1 -



3 -



2 -



1 -



1 -



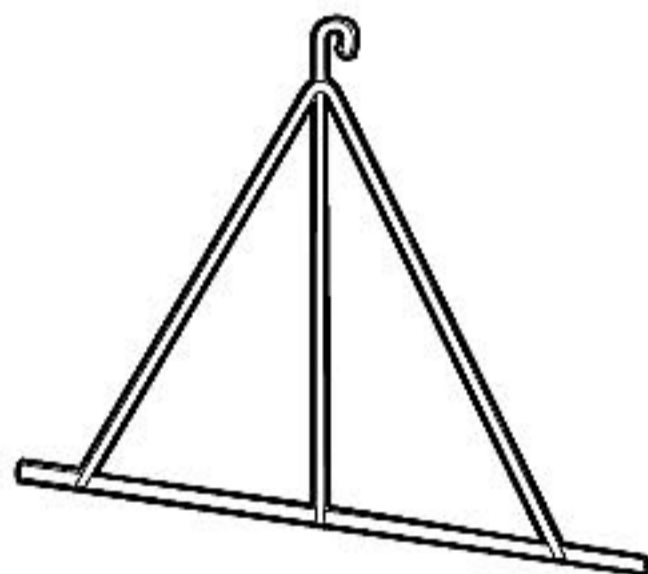
2 -



2 -



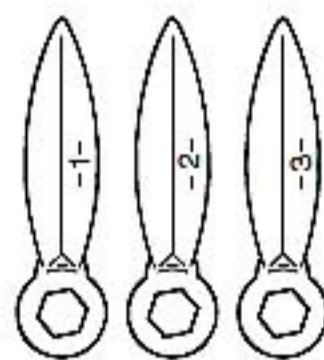
1 -



1 -



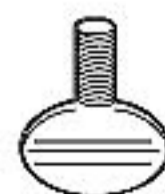
1 -



1 -



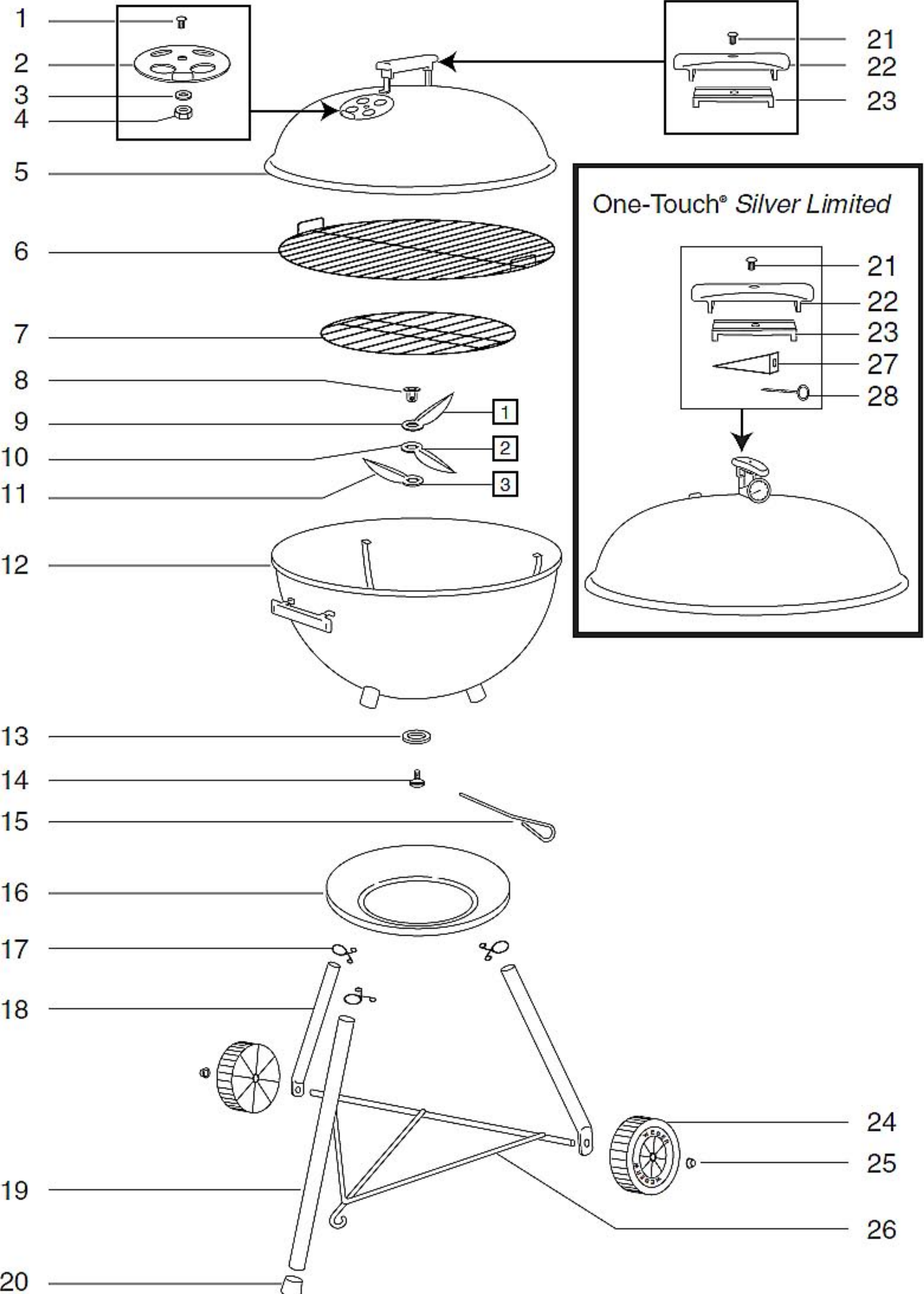
1 -



1 -

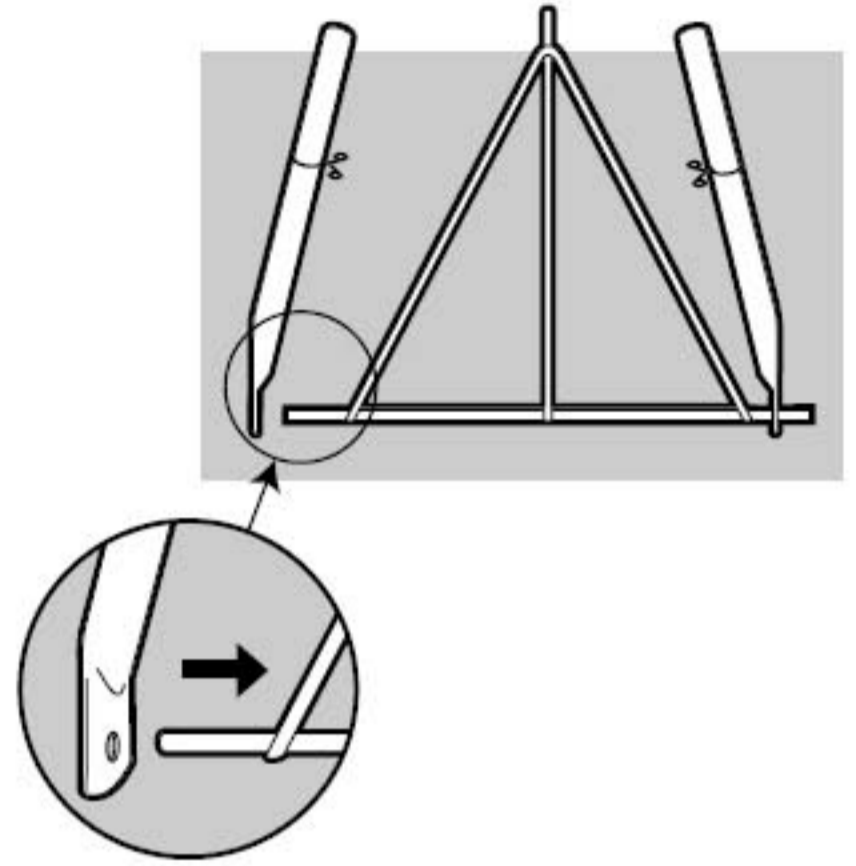
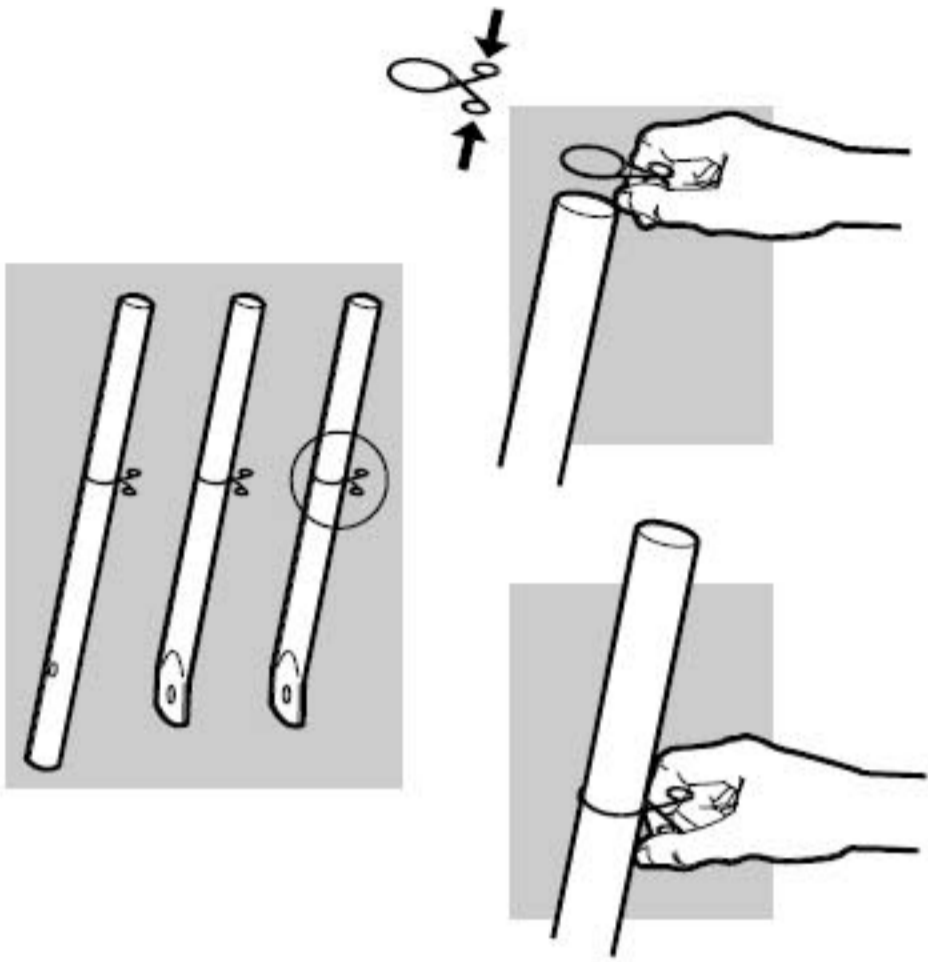


One-Touch® Silver 1299



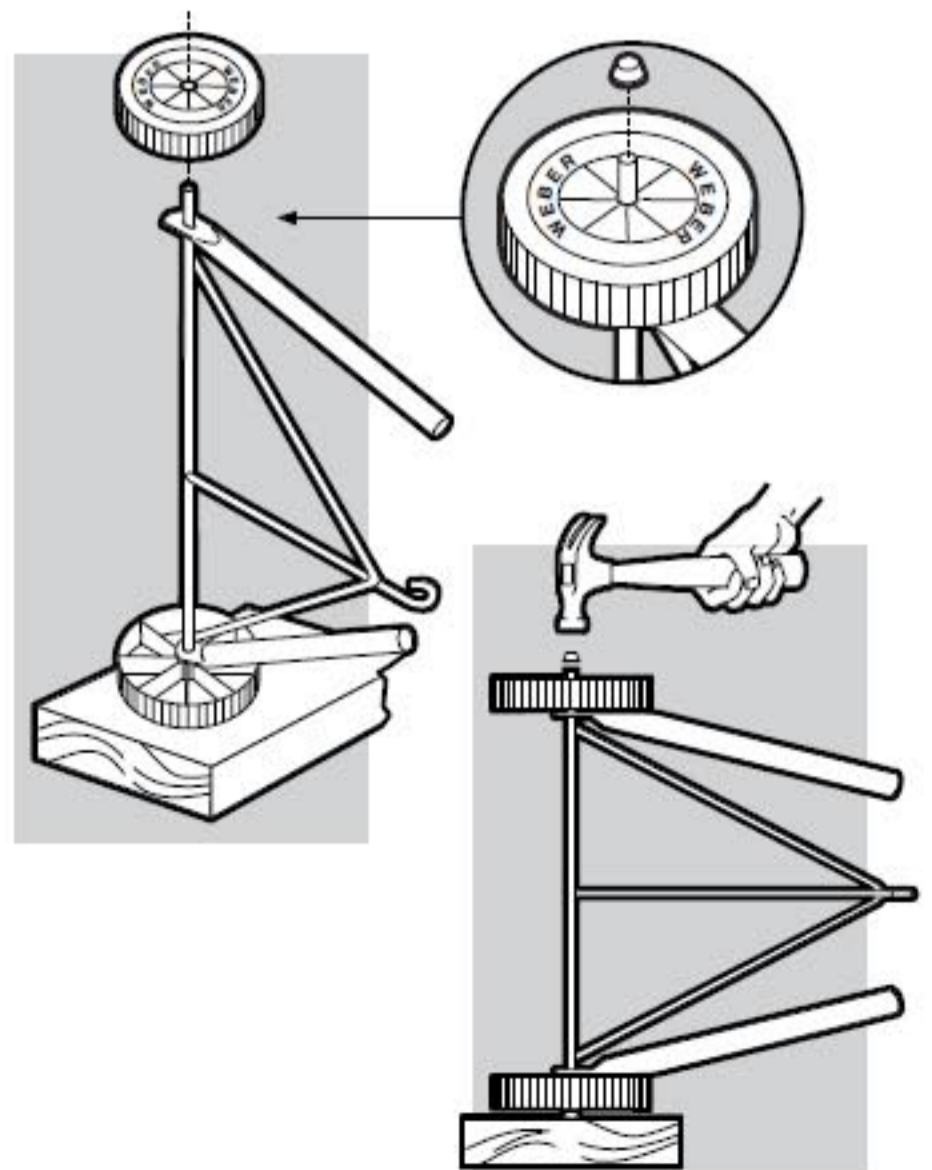
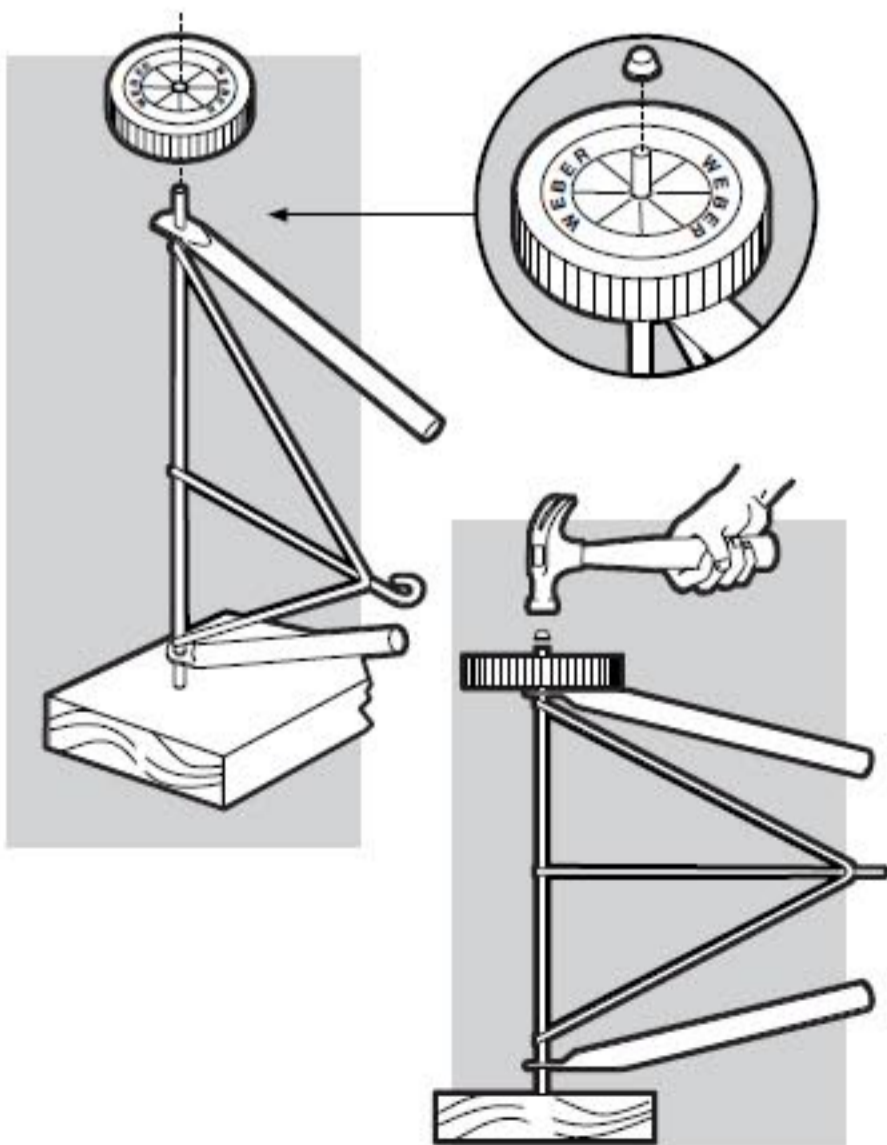
1

(3 - )

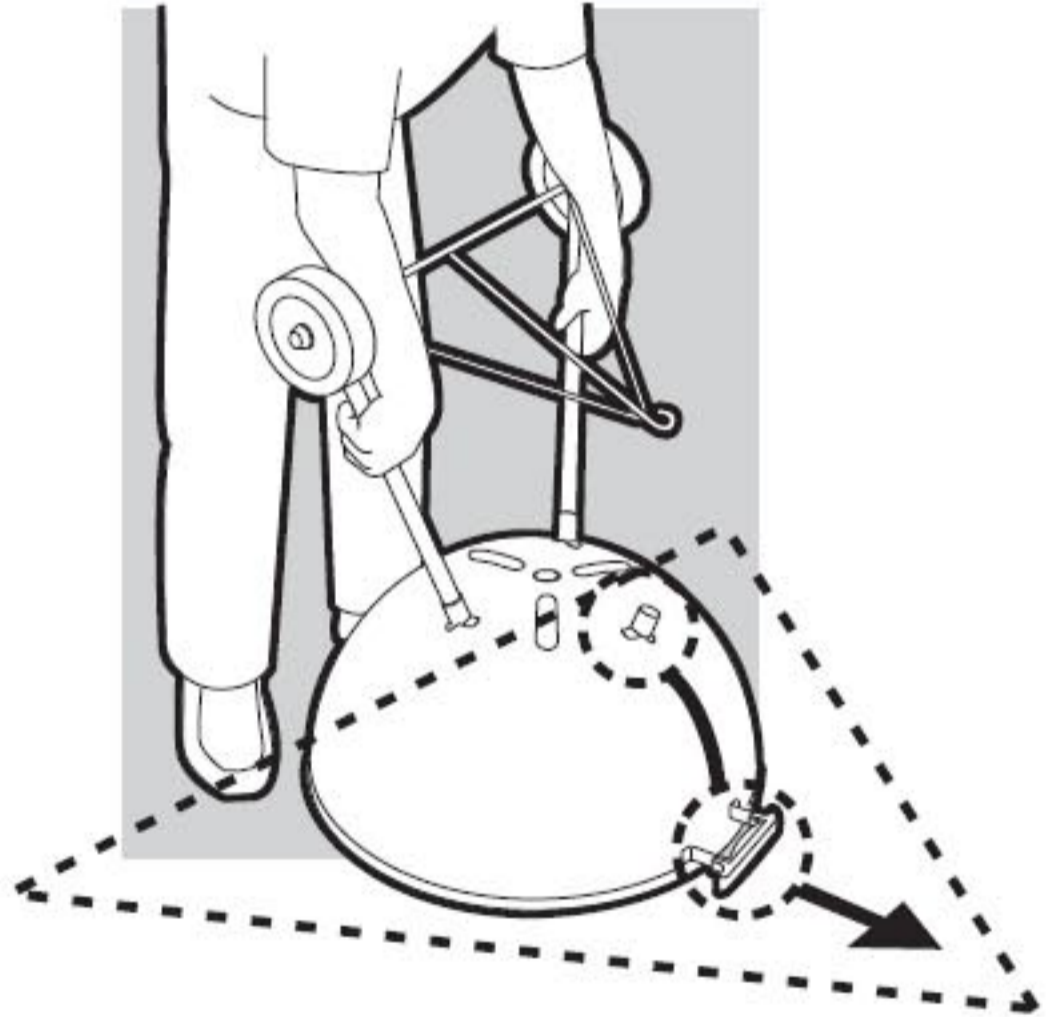
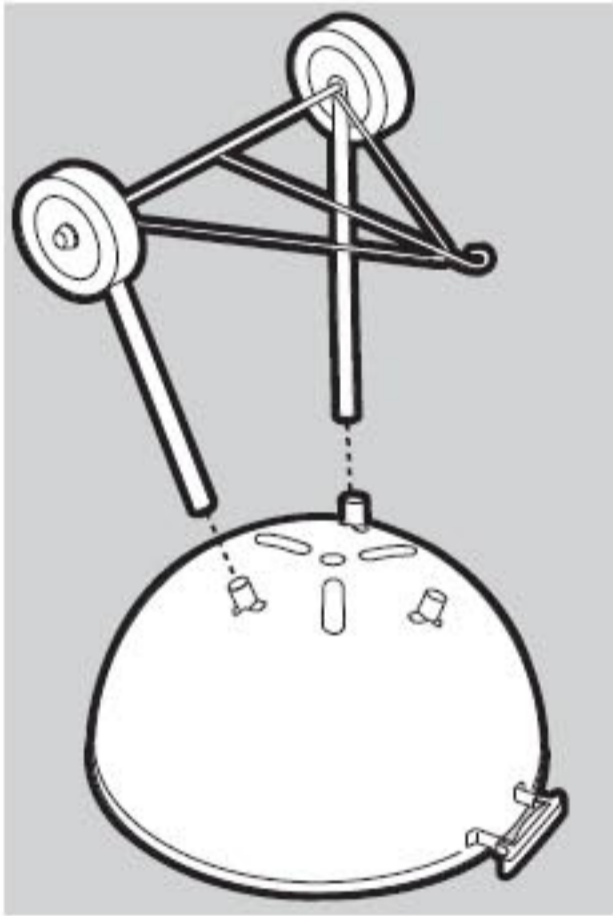


2

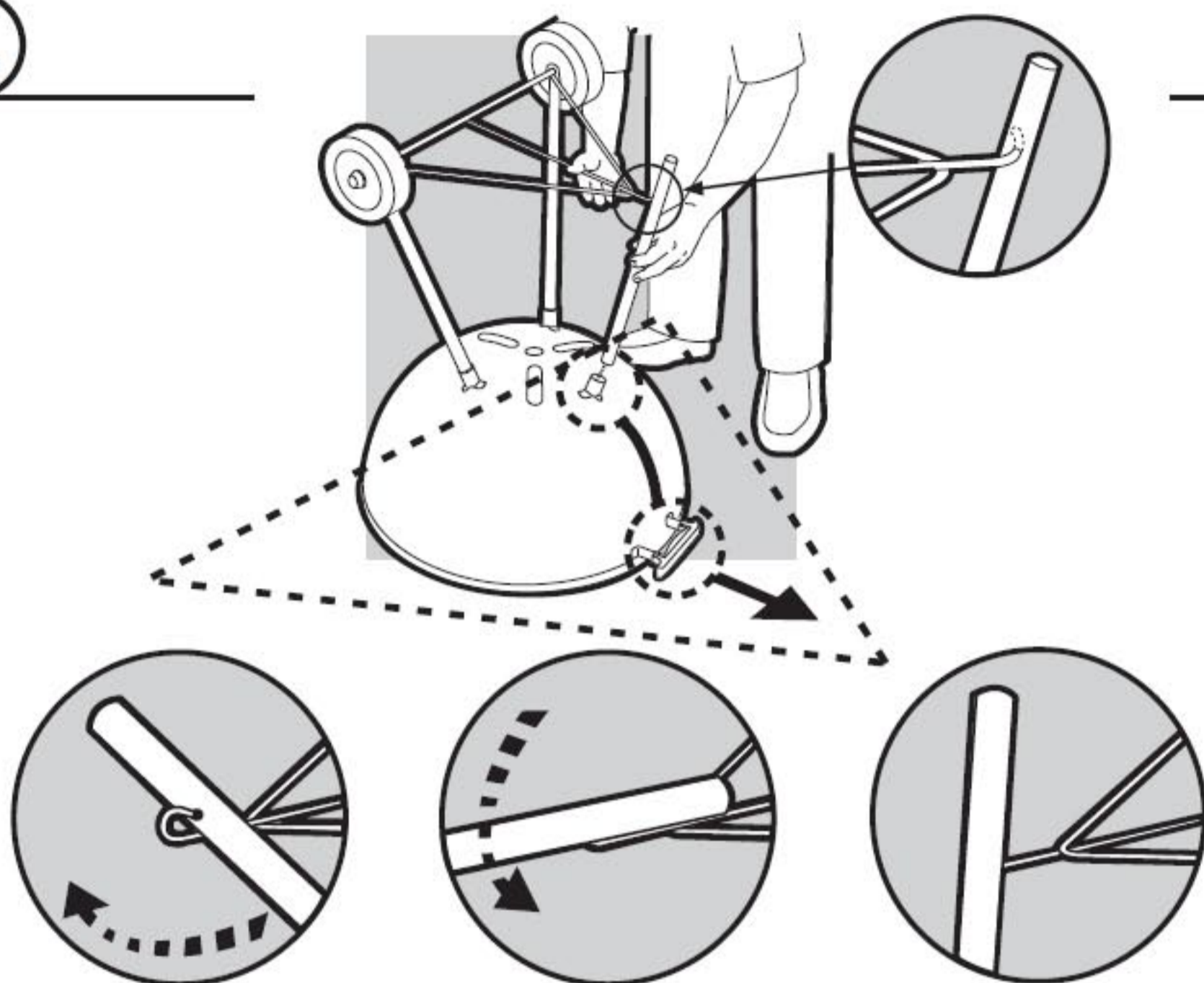
(2 - ) 



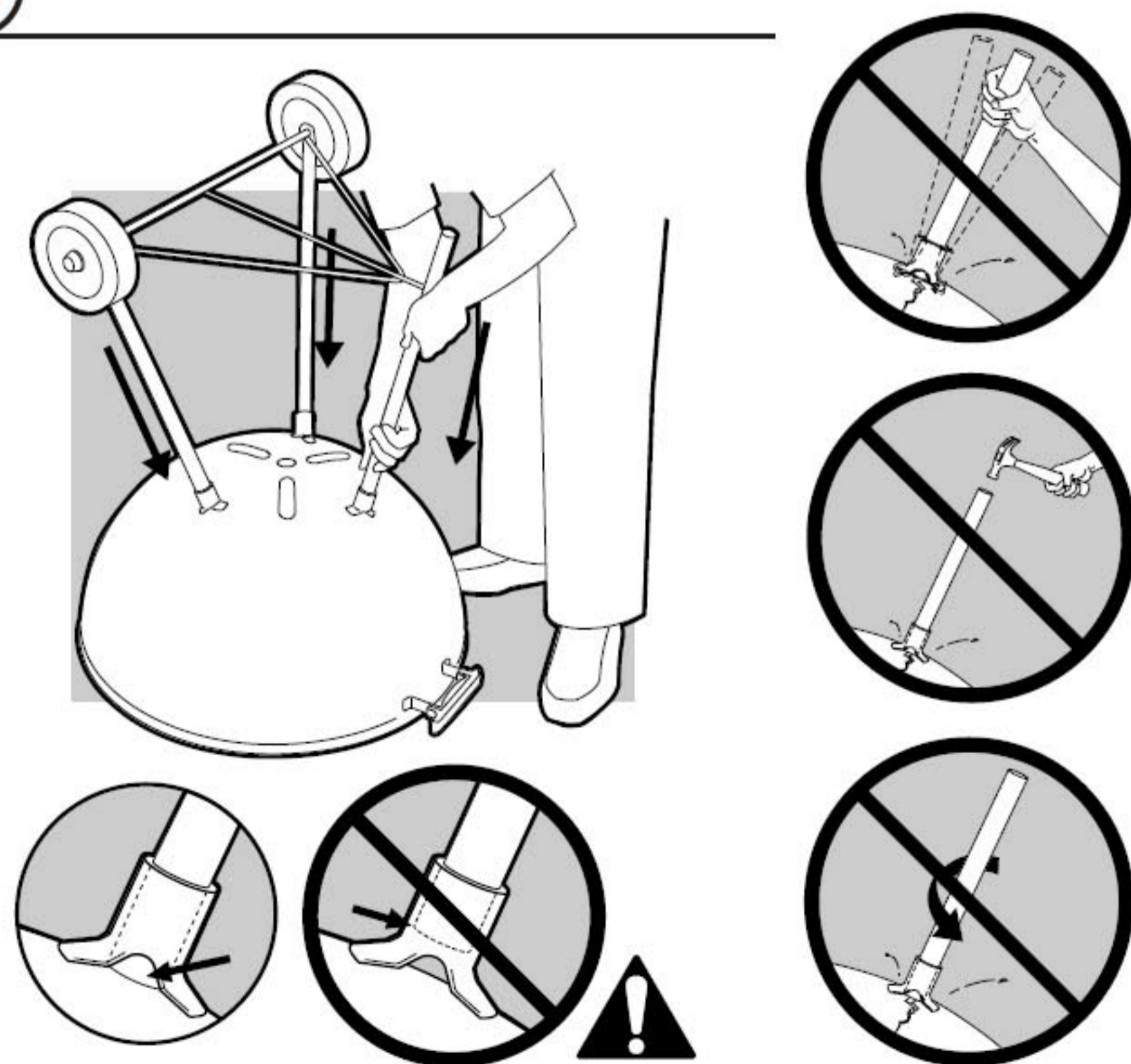
3



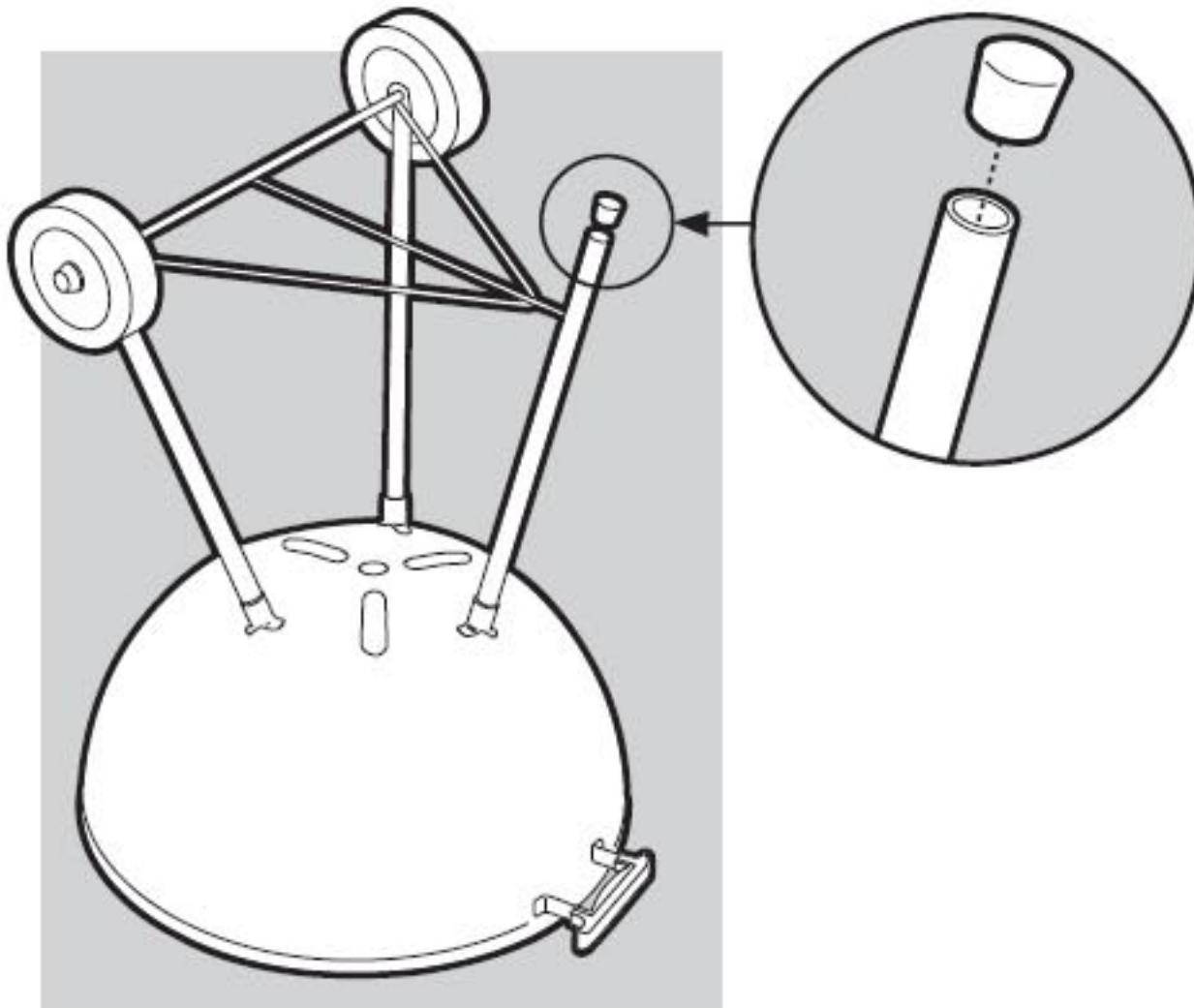
4



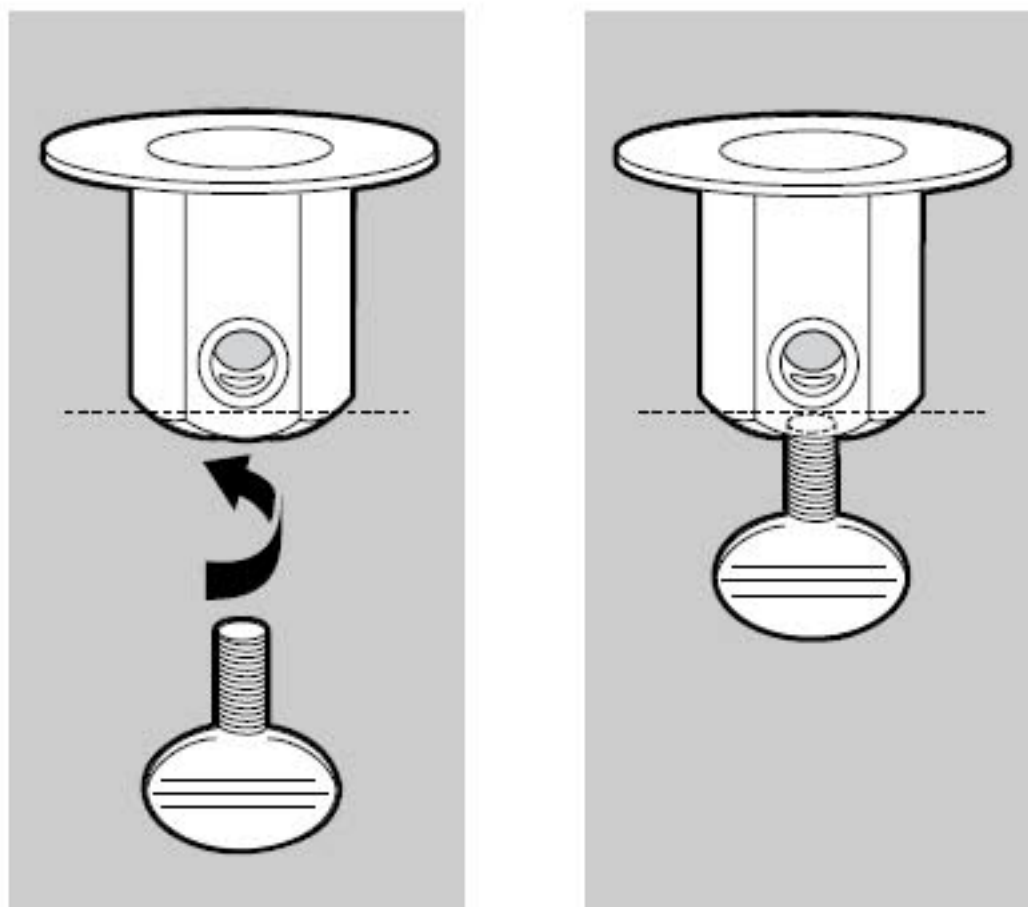
5



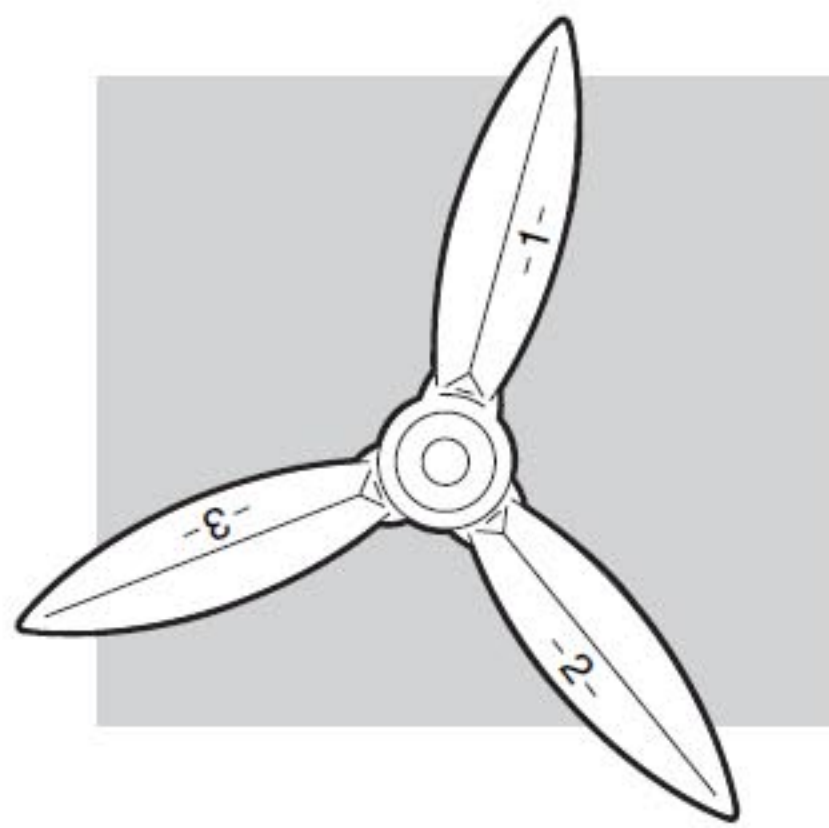
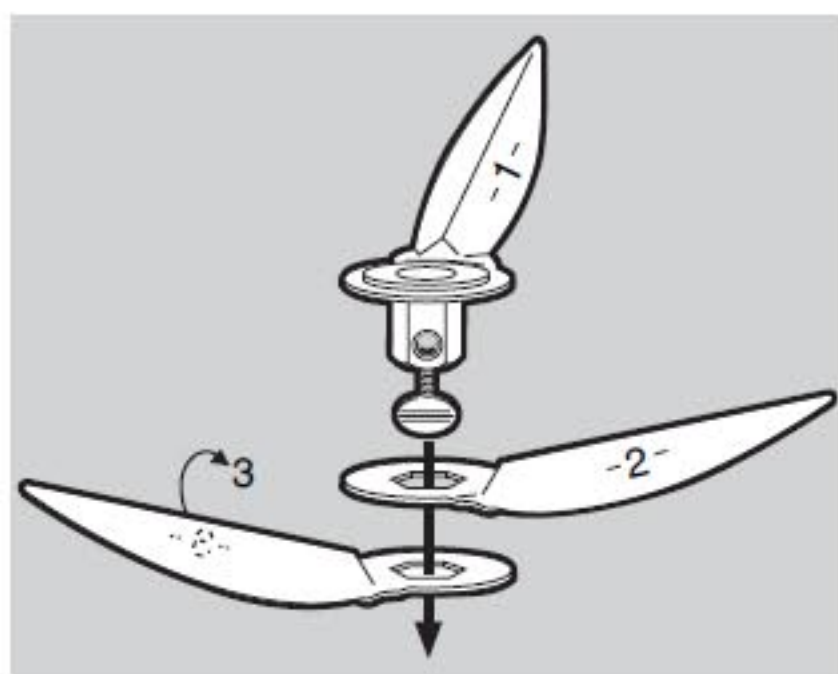
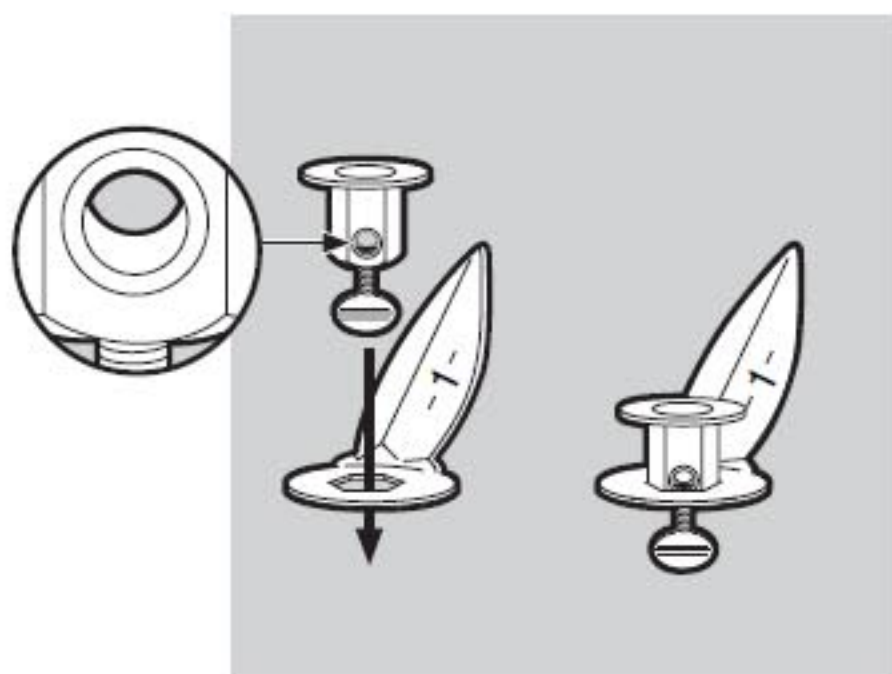
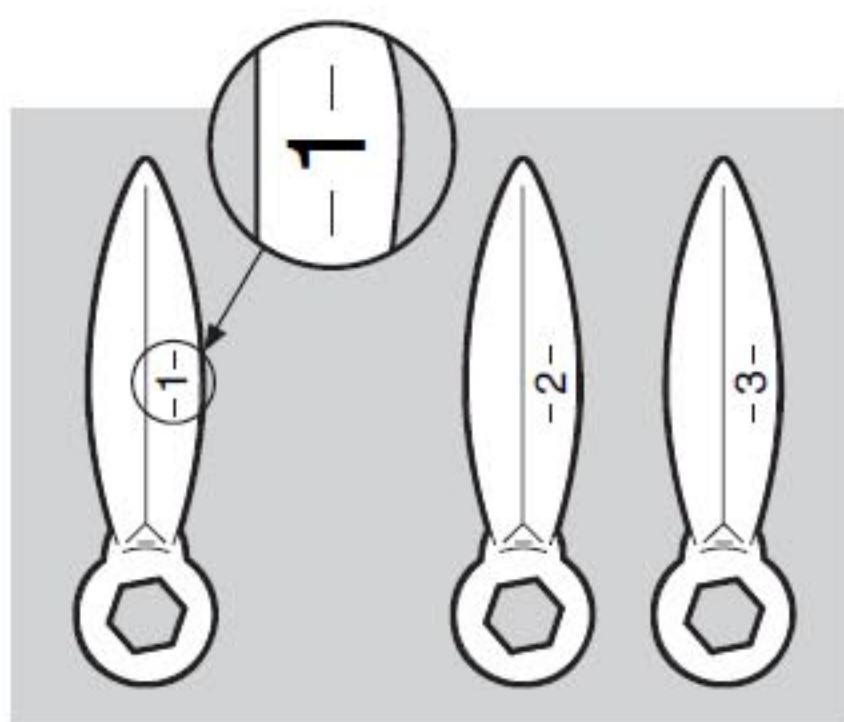
6



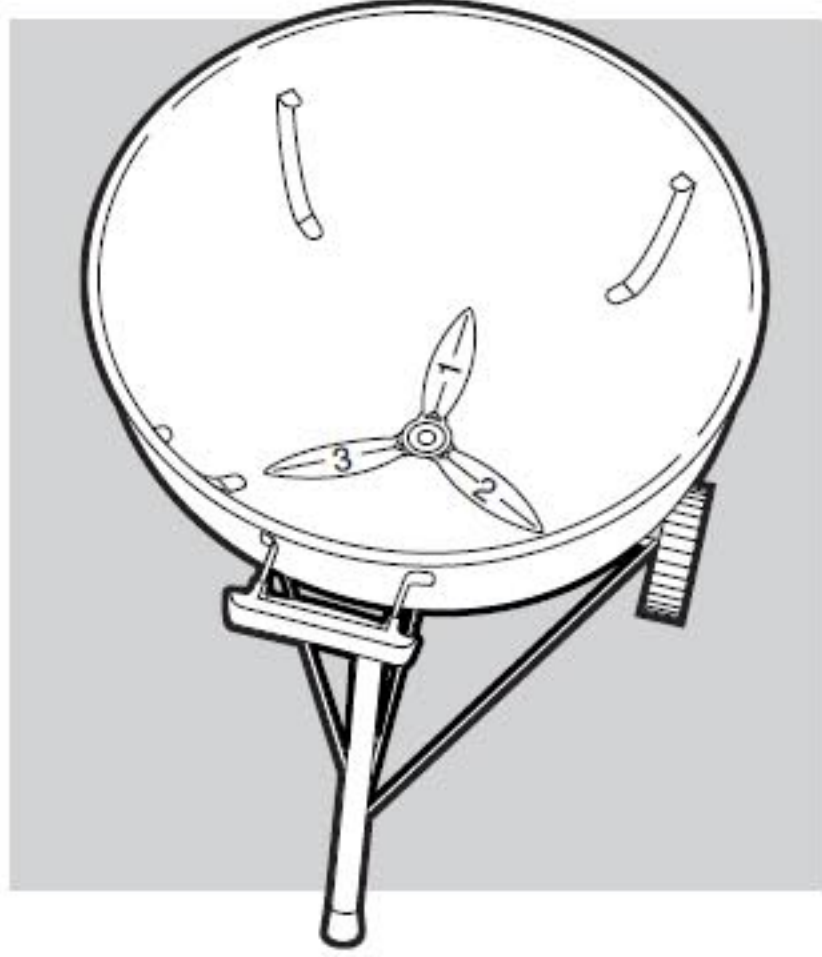
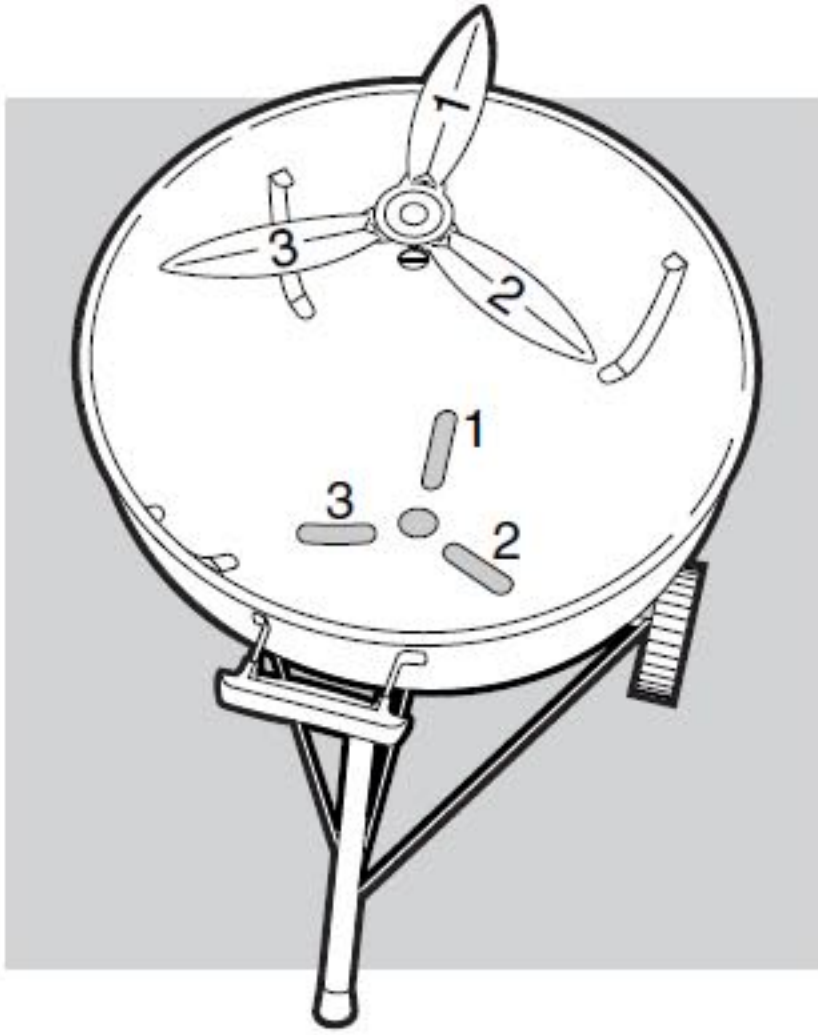
7



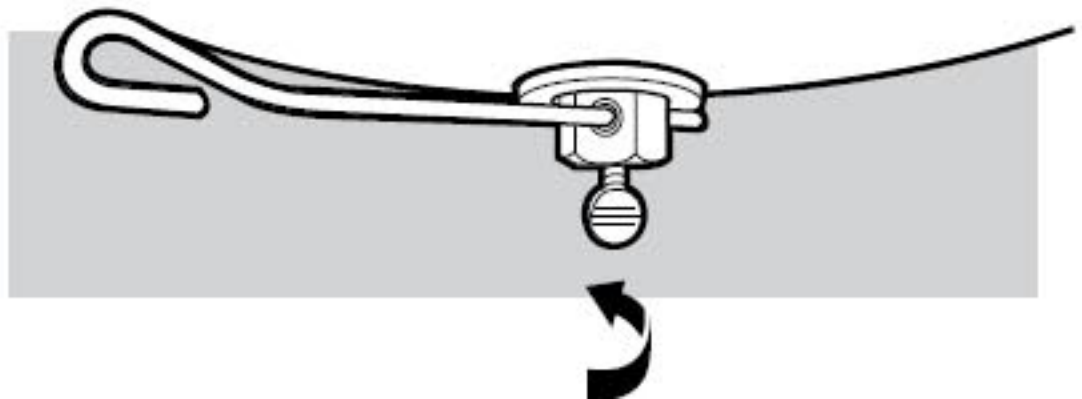
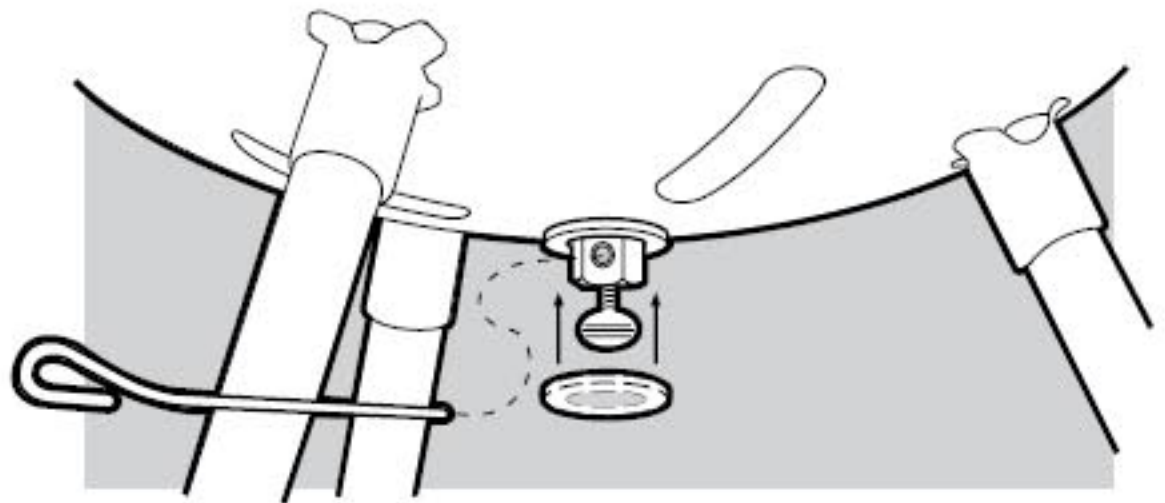
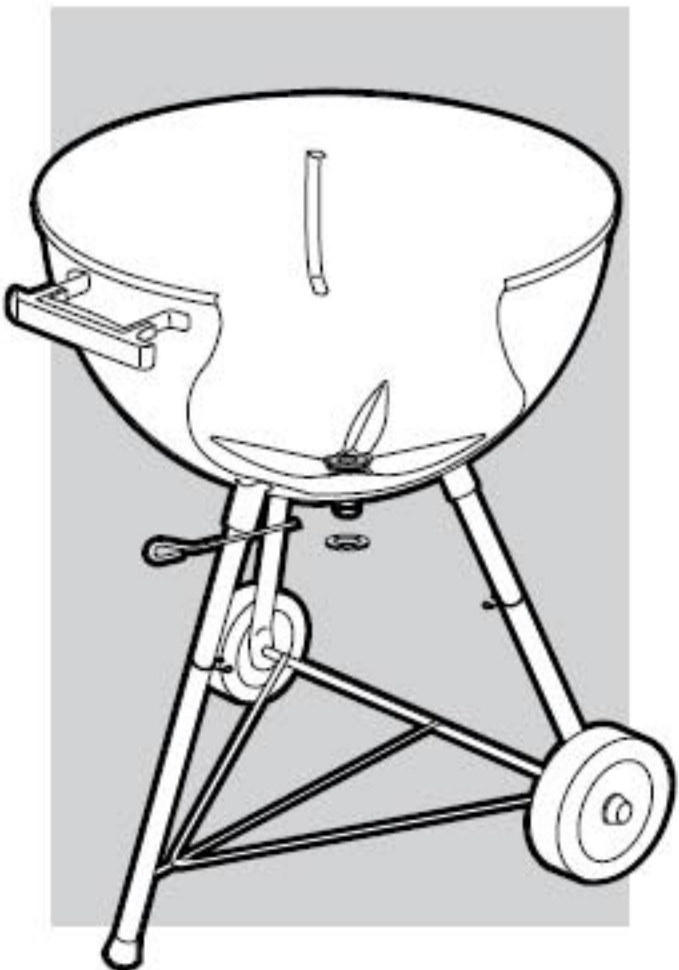
8



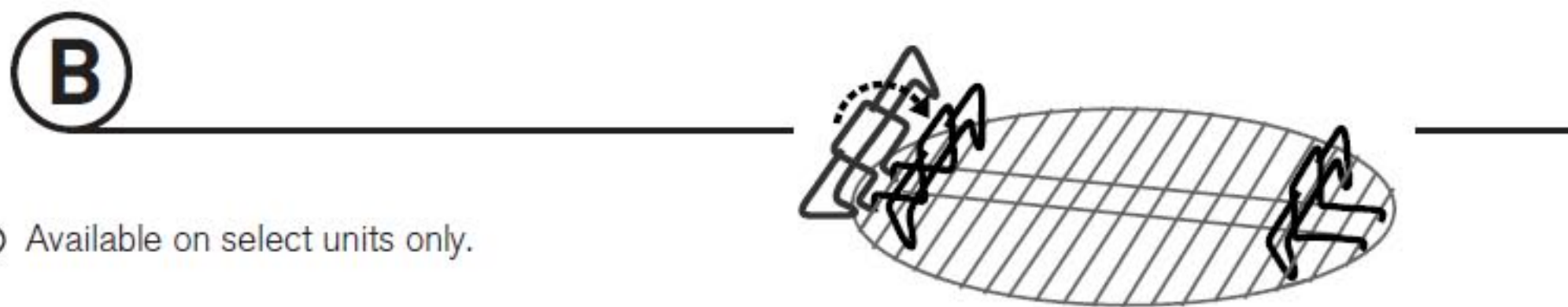
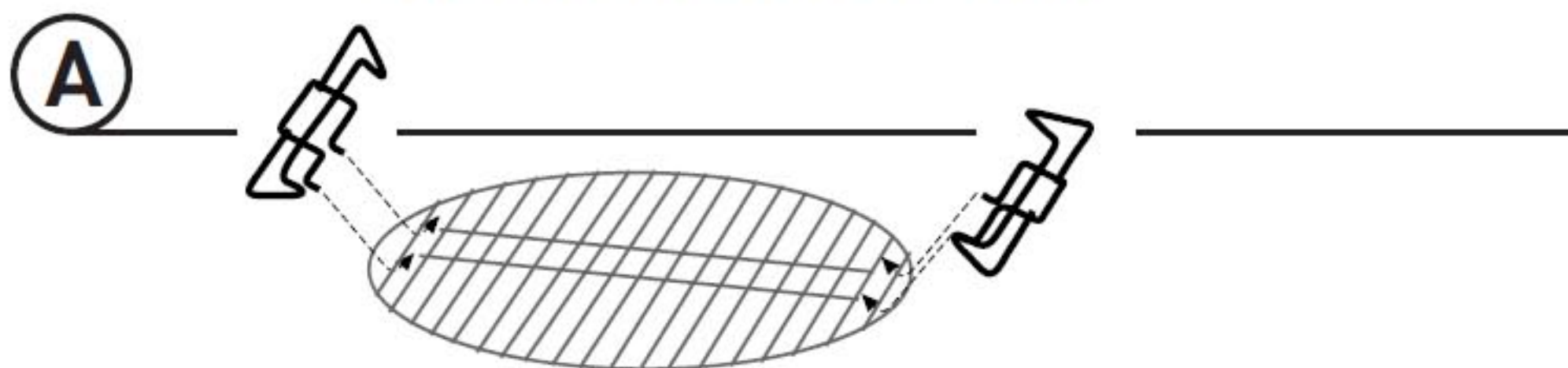
9



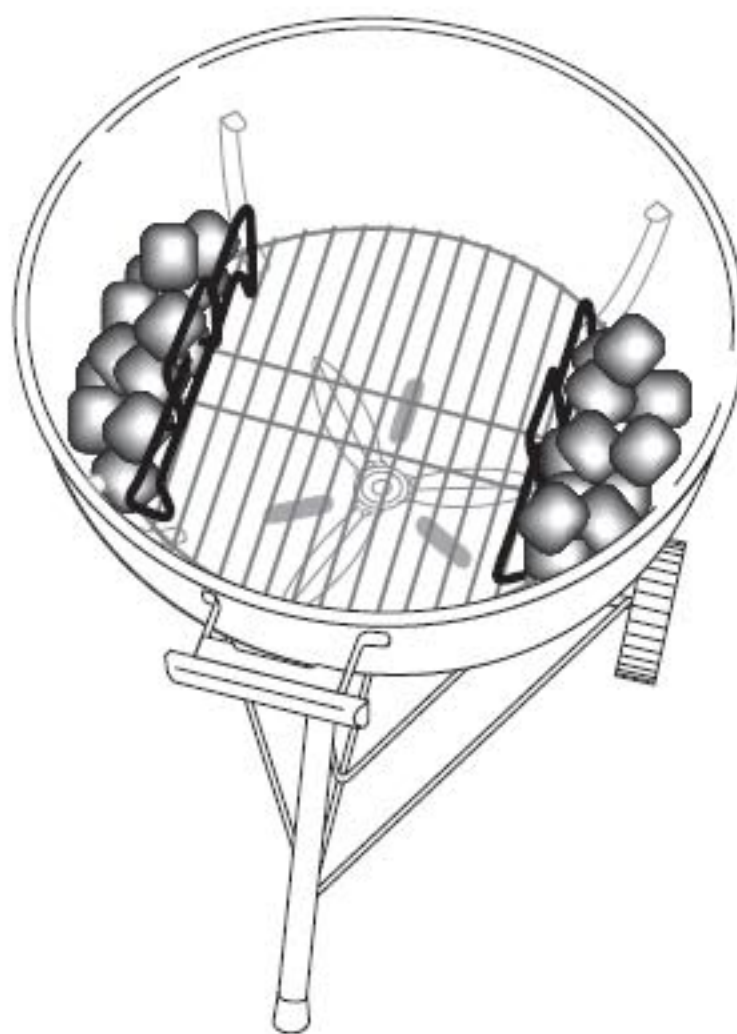
10



ONE-TOUCH® SILVER LIMITED



US Available on select units only.



US Weber-Stephen Products Co., (Weber) hereby warrants to the ORIGINAL PURCHASER of this Weber® One-Touch® Silver, One-Touch® Silver Limited, One-Touch® Gold, One-Touch® Platinum, Smokey Mountain Cooker™, and Ranch® grills, that it will be free from defects in material and workmanship from the date of purchase as follows:

Cooking / Charcoal grates	1 year
Stainless Steel One-Touch™ Cleaning System	10 years
Bowl and lid against rust / burn-through	10 years
Nylon handles	10 years
Thermoplastic/Thermoset Parts(One-Touch® Platinum)	10 years excluding fading
All remaining parts	5 years

When assembled and operated in accordance with the printed instructions accompanying it. Weber may require reasonable proof of your date of purchase. THEREFORE, YOU SHOULD RETAIN YOUR SALES SLIP OR INVOICE AND RETURN THE WEBER LIMITED WARRANTY REGISTRATION CARD IMMEDIATELY.

This Limited Warranty shall be limited to the repair or replacement of parts which prove defective under normal use and service and which on examination shall indicate to Weber's satisfaction they are defective. If Weber confirms the defect and approves the claim, Weber will elect to repair or replace such parts without charge. If you are required to return defective parts, transportation charges must be prepaid. Weber will return parts to the purchaser, carriage or postage prepaid.

This Limited Warranty does not cover any failures or operating difficulties due to accident, abuse, misuse, alteration, misapplication, vandalism, improper installation or improper maintenance or service, or failure to perform normal and routine maintenance. Deterioration or damage due to severe weather conditions such as hail, hurricanes, earthquakes or tornadoes, discoloration due to exposure to chemicals, either directly or in the atmosphere, is not covered by this Limited Warranty.

There are no other express warranties except as set forth herein, and any applicable implied warranties of merchantability and fitness are limited in duration to the period of coverage of this express written Limited Warranty. Some regions do not allow limitation on how long an implied warranty lasts, so this limitation may not apply to you.

Weber is not liable for any special, indirect or consequential damages. Some regions do not allow the exclusion or limitation of incidental or consequential damages, so this limitation or exclusion may not apply to you.

Weber does not authorize any person or company to assume for it any other obligation or liability in connection with the sale, installation, use, removal, return or replacement of its equipment; and no such representations are binding on Weber.