

This Owner's Manual is provided and hosted by [Appliance Factory Parts](#).



Weber CHARCOAL GO-ANYWHERE Owner's Manual

[Shop genuine replacement parts for Weber CHARCOAL
GO-ANYWHERE](#)



[Find Your Weber Grill Parts - Select From 2037 Models](#)

----- Manual continues below -----

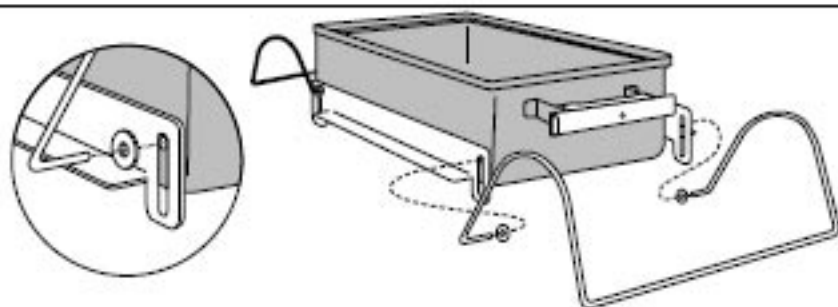


Charcoal Go-Anywhere. Grill

1

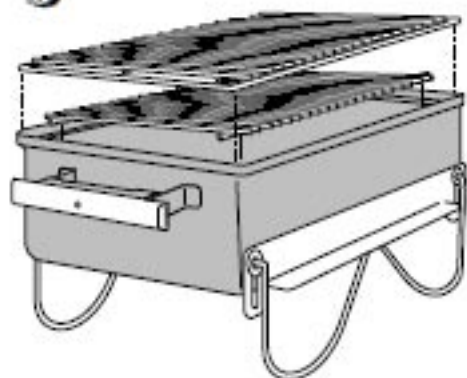


2

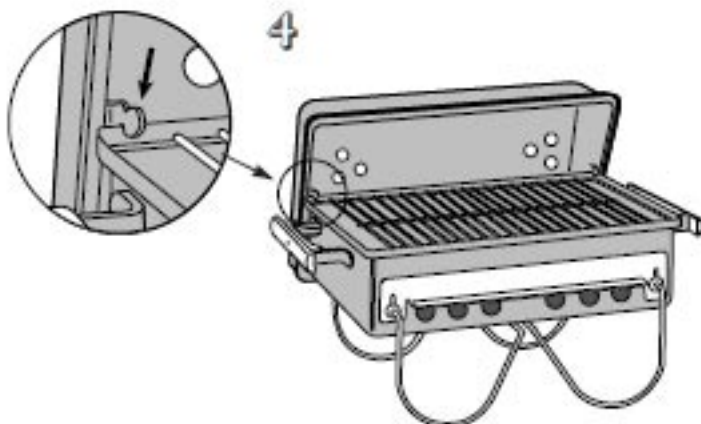


30185 8/98

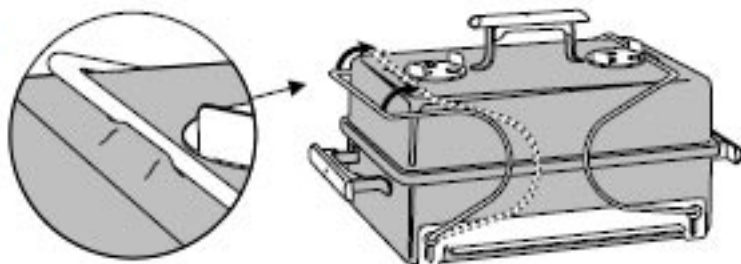
3



4



5



Printed on
recycled paper

© 2004 Weber-Stein, Inc. and its subsidiaries are registered
U.S. trademarks of Weber-Stein Products Co.,
200 West Grande Road, Palatine, IL 60067-0299, U.S.A.
This product may be covered under various patents
and trademarks in countries throughout the world.
Printed in the U.S.A.