

This Owner's Manual is provided and hosted by [Appliance Factory Parts](#).



Weber SMOKEY JOE TUCK N CARRY GRILL (PRIOR 2000) Owner's Manual

[Shop genuine replacement parts for Weber SMOKEY JOE TUCK N CARRY GRILL \(PRIOR 2000\)](#)

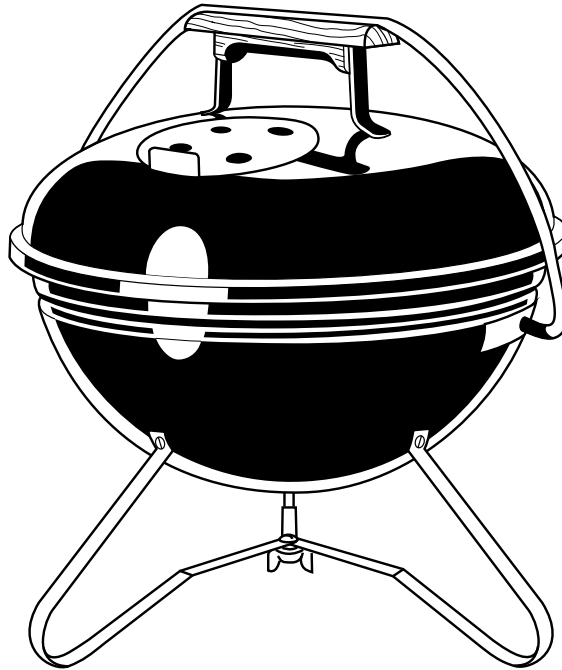



[Find Your Weber Grill Parts - Select From 2037 Models](#)

----- Manual continues below -----



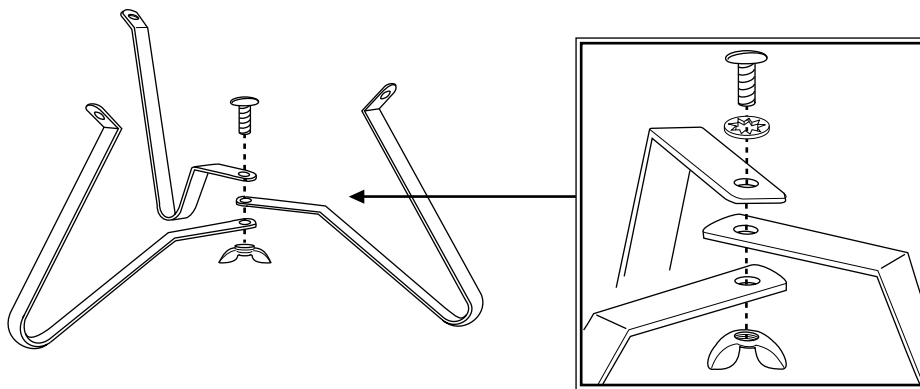
Smokey Joe[®] Tuck-N-Carry[™] Grill



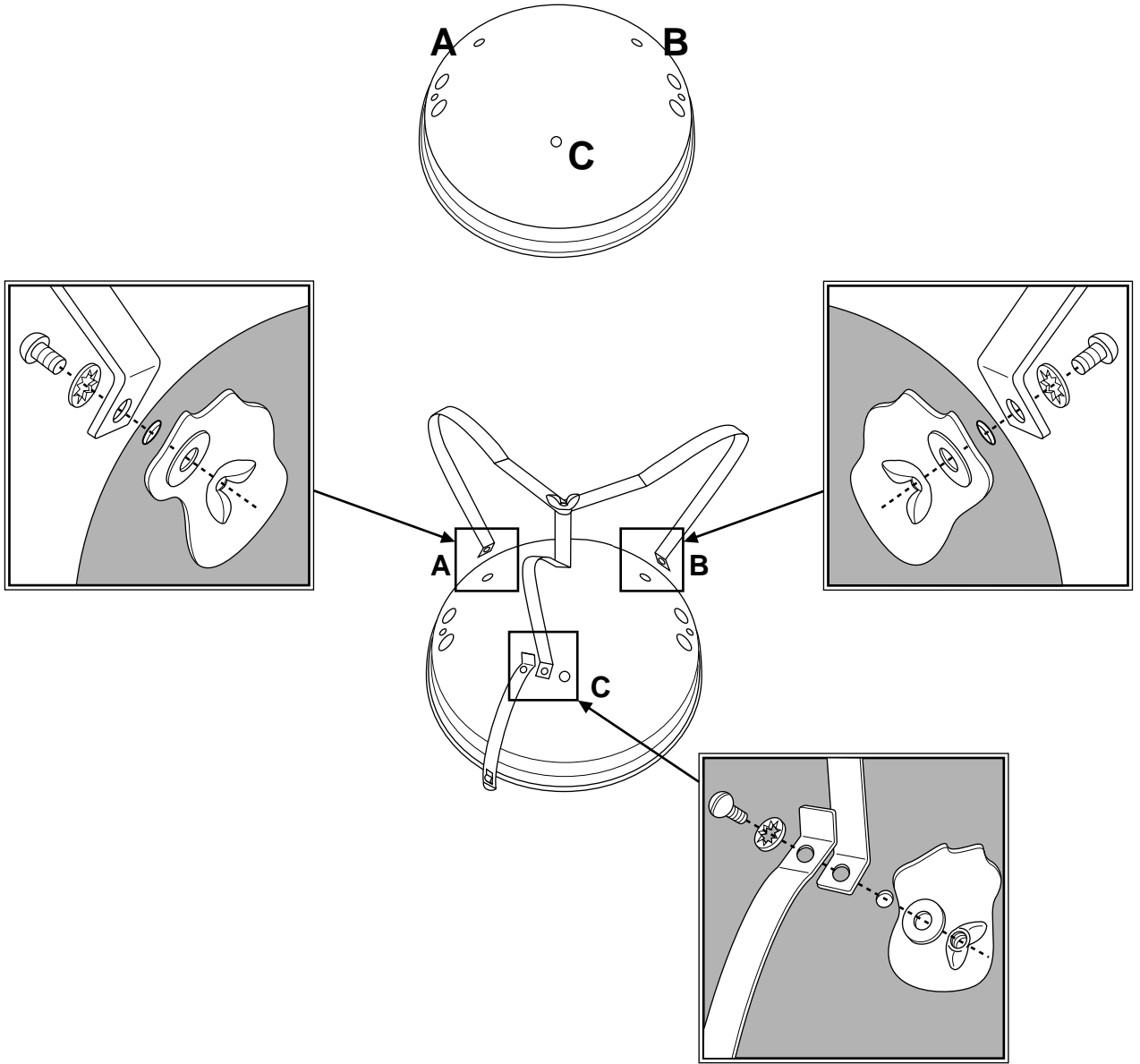
© 1996 Weber. Weber, , and Smokey Joe are registered U.S. trademarks; Tuck-N-Carry is a U.S. trademark of Weber-Stephen Products Co., 200 East Daniels Road, Palatine, IL 60067-6266. U.S.A. This product may be covered under various patents and trademarks in countries throughout the world. Printed in the U.S.A.

96195 8/96

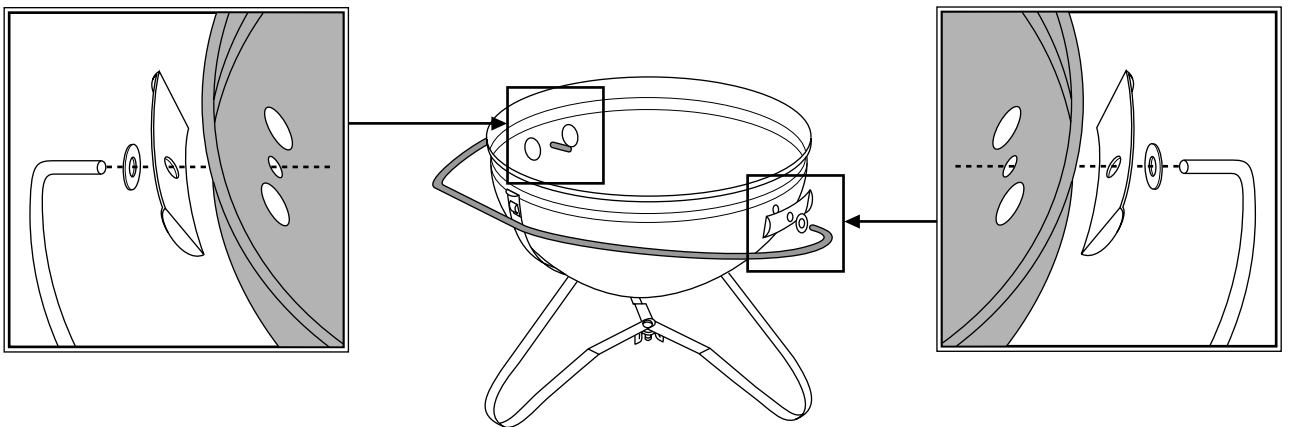
1



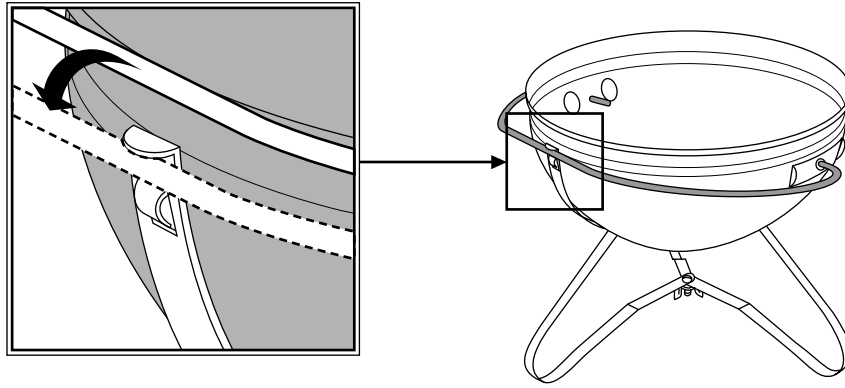
2



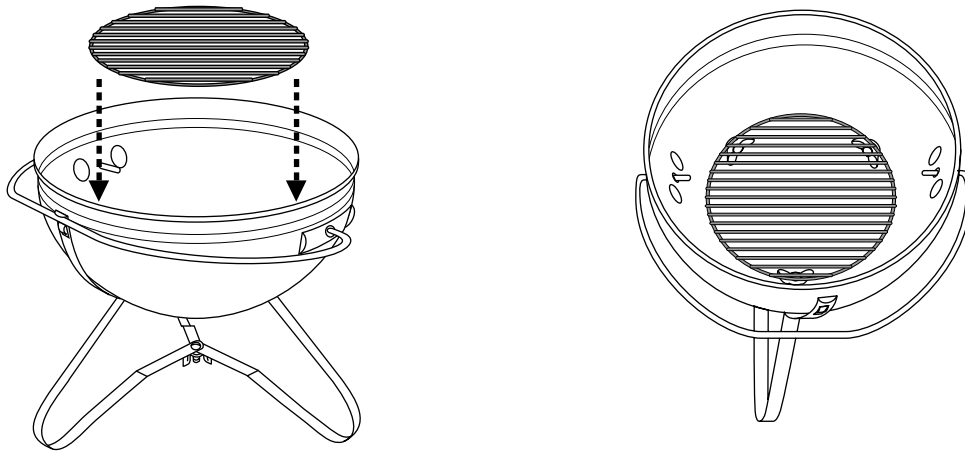
3



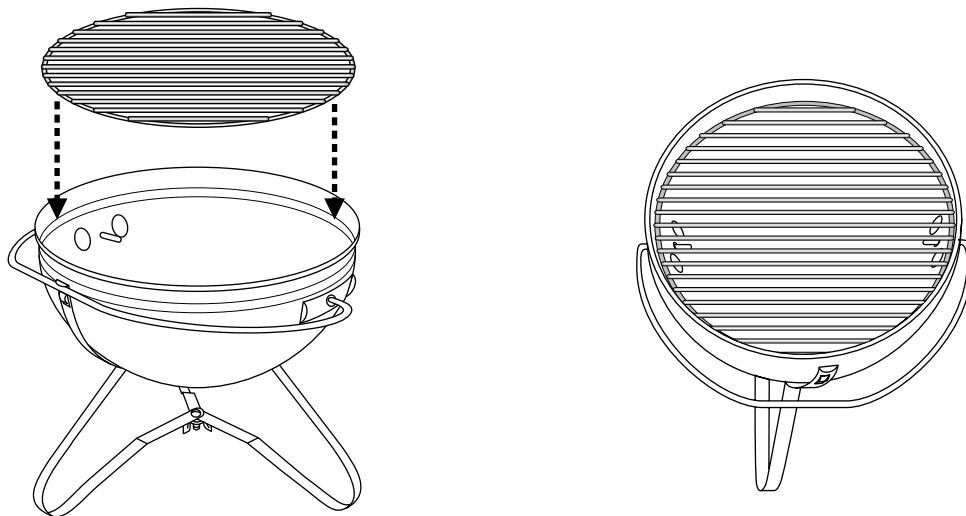
4



5



6



7

