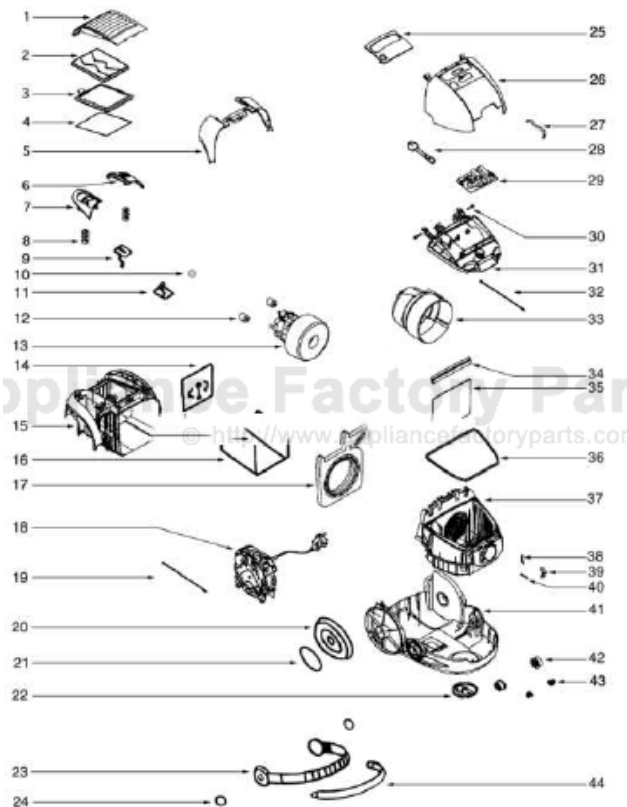


This Owner's Manual is provided and hosted by Appliance Factory Parts.



Eureka 6996A Owner's Manual

[Shop genuine replacement parts for Eureka 6996A](#)



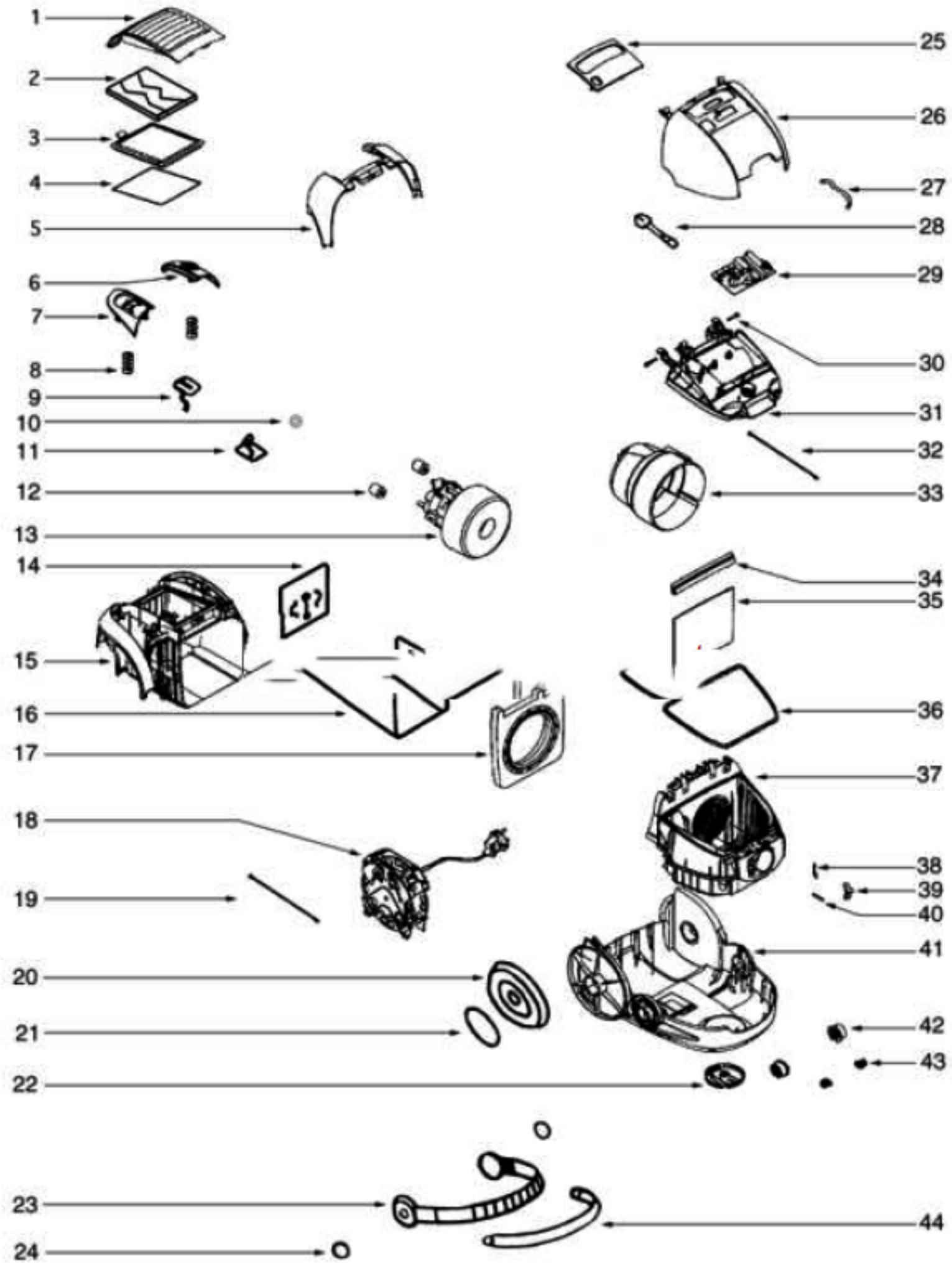
[Find Your Eureka Vacuum Cleaner Parts - Select From 855 Models](#)

----- Manual continues below part list -----

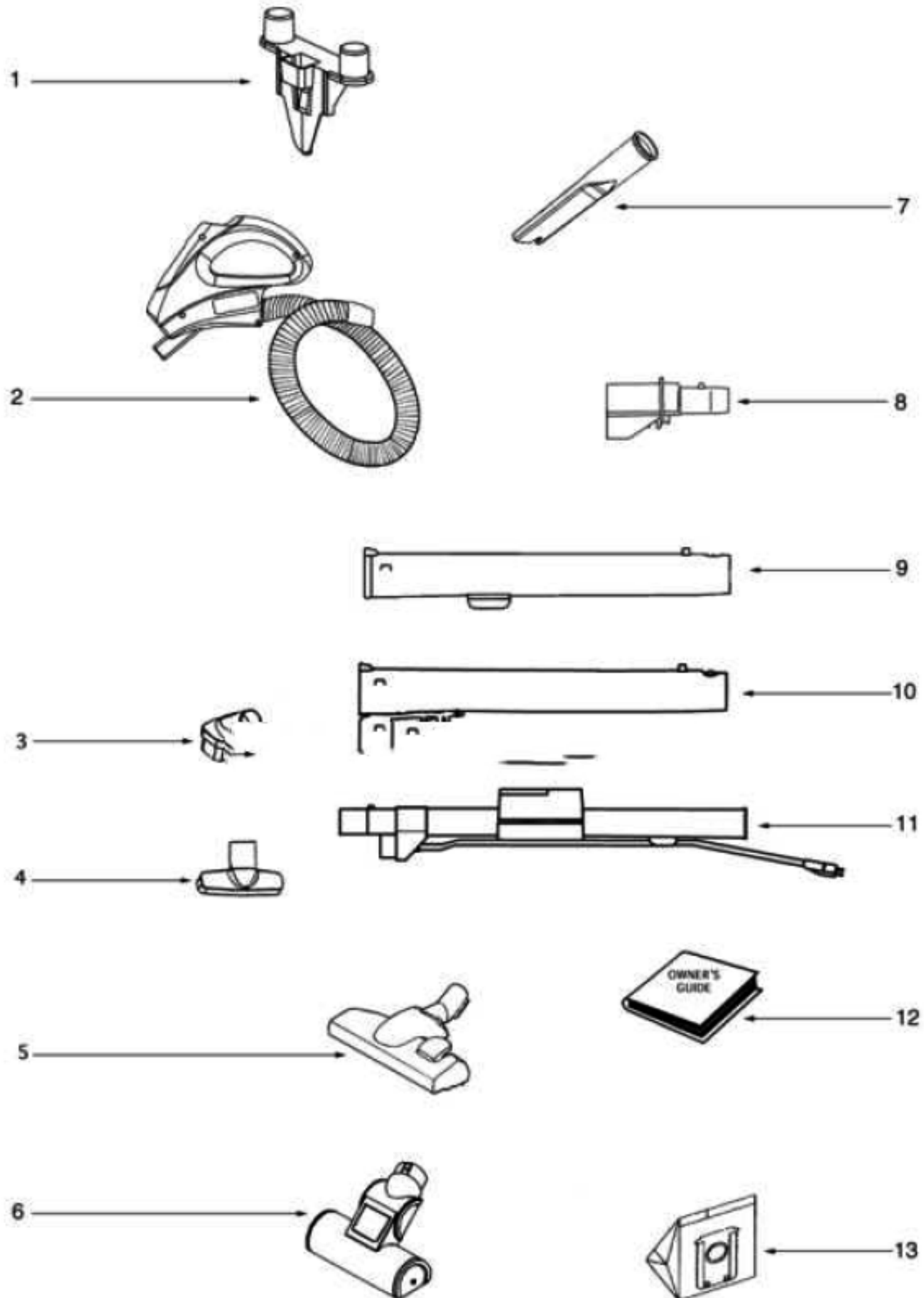
Available Replacement Parts for Eureka 6996A

[155506](#)

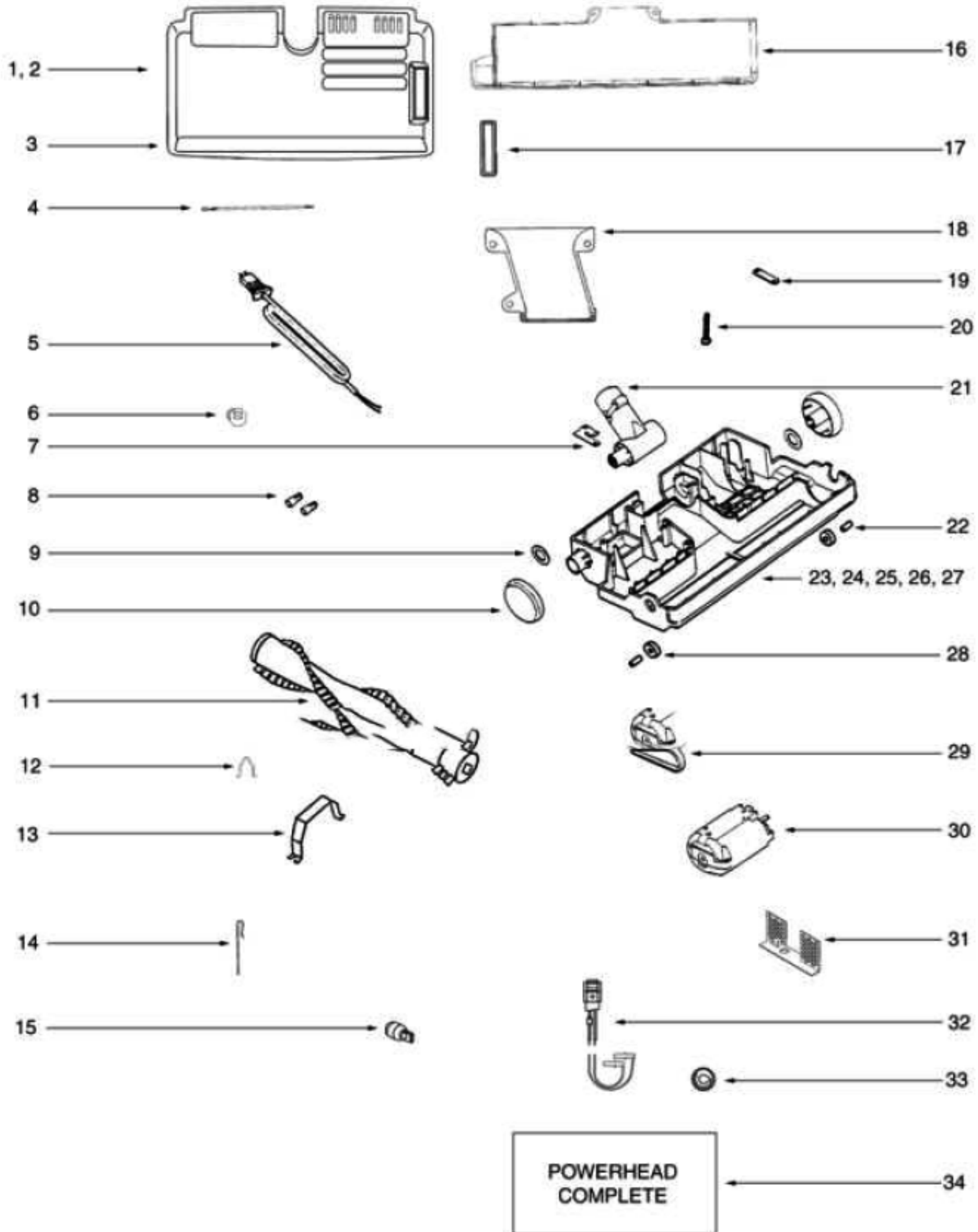
MOTOR



Ref #	Part	Description	Comments	Qty
1	61369-4	FILTER COVER		
2	61895	ABSORBER (FINAL FILTER)		
3	61053	HEPA FILTER - WASHABLE		
4	61385-1	SEALING		
5	61380-6	MIDDLE COVER - PKGD		
6	61400-6	SWITCH PEDAL - PKGD		
7	61401-6	CORD REEL PEDAL - PKGD		
8	61403	SPRING - PKGD		
9	61891-2	SLIDER		
10	61890	SEALING WASHER PACKAGE		
11	61888	SWITCH		
12	61397	RUBBER CUSHION		
13	61368-2	MOTOR ASSEMBLY - CARTONED		
14	61897	ABSORBER		
15	61387	REAR CAP		
16	61896	ABSORBER (SOUND FOAM)		
17	61388-1	MOTOR SEAL		
18	61374	CORD REEL		
19	61894-1	DUCT		
20	61905	REAR WHEEL		
21	61906	REAR WHEEL COVER		
22	61396	FRONT WHEEL		
23	61898	HANDLE WITH COVER		
24	61903	HANDLE GRIP		
25	61379-5	PANEL		
26	61375-6	OUTER LID - PKGD		
27	61394-1	PIPE		
29	61390-2	SPEED REGULATOR - CTND		
30	61409	SHAFT - PKGD		
31	61389-3	INNER LID		
32	61894	DUCT		
33	61386	MOTOR HOOD		
34	61392	FILTER HOLDER		
35	61263	MOTOR FILTER		
36	61393	COVER SEALING		
37	61370-1	BODY		
38	61415	FLAP SPRING - PKGD		
39	61413	CATCH		
40	61412	TUBE		
41	61410-1	LOWER SHELL WITH WHEELS		
42	61416	BUSHING		
43	61418	LOCK - PKGD		
44	61904	HANDLE WITH COVER		
	61892	CIRCUIT LINE		



Ref #	Part	Description	Comments	Qty
1	72040	TOOL CADDY		
2	61054-2	SWIVEL HOSE ASSY - CARTON		
3	60290-1	DUSTING BRUSH - PACKAGED		
4	22713-9	UPHOLSTERY NOZZLE ASSEMBL		
5	60816	FLOOR & WALL BRUSH ASSEMB		
6	28612A	TURBO NOZZLE ASSY (MODEL		
7	27237-3	TOOL - CREVICE		
8	39041	COUPLING ASSY - EASY CHAN		
9	36879-5	STRAIGHT WAND ASSEMBLY		
10	37738-7	UPPER WAND ASSEMBLY		
11	39040A-4	STRAIGHT WAND ASSEMBLY		
12	70897A	OWNER'S GUIDE		
13	61230A	PAPER BAG PCKG - STYLE OX		



Ref #	Part	Description	Comments	Qty
1	54016-71	POWERHEAD HOOD ASSY - PAC		
2	13907-1	LENS		
3	37433-3	GUARD - FURNITURE		
4	57421-1	WIRE & TERMINAL ASSEMBLY		
5	37753-3	CORD & PLUG ASSEMBLY		
6	53190-1	BUSHING - STRAIN RELIEF-P		
7	55979	SPRING STRAP		
8	60192-1	WIRE SPLICE 5		
9	56180	FELT WASHER		
10	37786-8	WHEEL ASSEMBLY		
11	53411-2	DISTURBULATOR ASSY - CRTN		
12	55974	INSERT - LATCH		
13	38156	STRAP - MOTOR		
14	38063	GUARD - BELT		
15	40009A	LAMP - HEADLIGHT		
16	56232-1	DISTURBULATOR COVER ASSEM		
17	26469-1	WINDOW - BELT		
18	57710-1	AIR DUCT COVER ASSEMBLY		
19	55980-1	STRAP		
20	53238-8	SCREW PACKAGE		
21	56830-3	HANDLE SOCKET ASSEMBLY		
22	56489	AXLE		
23	54340-1	KIT - POWER HEAD BASE ASS		
24	55970	GASKET - FELT		
25	55968	GASKET - FELT		
26	55971	GASKET - FELT		
27	55969	GASKET - FELT		
28	56824	WHEEL & SLEEVE ASSEMBLY		
29	52201C	BELT PKG ASSY (PH)		
30	54343-1	MOTOR ASSEMBLY - PACKAGED		
31	38177	SHIELD - MOTOR		
32	38259	HEADLAMP SOCKET ASSEMBLY		
33	53424	ON-SERT PKG 10		
34	54344-9	POWERHEAD ASSY - PACKAGED		