

This Owner's Manual is provided and hosted by [Appliance Factory Parts](http://ApplianceFactoryParts.com).



Weber SUMMIT 625-650 97 NG (PRIOR 2000) Owner's Manual

[Shop genuine replacement parts for Weber SUMMIT
625-650 97 NG \(PRIOR 2000\)](#)



[Find Your Weber Grill Parts - Select From 2037 Models](#)

----- Manual continues below -----



SUMMIT™ 425 & 625 SUMMIT™ 450 & 650 Natural Gas Barbecues Step-By-Step Guide

Summit 425 NG



Summit 450 NG



Summit 625 NG



Summit 650 NG



⚠ DANGER

If you smell gas:

1. Shut off gas to the appliance.
2. Extinguish any open flame.
3. Open lid.
4. If odor continues, Keep away from the appliance and immediately call your gas supplier or your fire department.

Leaking gas may cause a fire or explosion which can cause serious bodily injury or death or damage to property.

⚠ WARNING

1. Do not store spare LP Cylinder within 10 feet (3m) of this appliance.
2. Do not store or use gasoline or other flammable liquids or vapors within 25 feet (8m) of this appliance.

WARNING: Follow all leak check procedures carefully in this manual prior to barbecue operation. Do this even if barbecue was dealer assembled.

NOTICE TO INSTALLER: These instructions must be left with the owner and the owner should keep them for future use.

THIS GAS APPLIANCE IS DESIGNED FOR OUTDOOR USE ONLY.

WARNING: Do not try to light this appliance without reading "Lighting" instructions section of this manual.

INSTALL GAS SUPPLY (CART INSTALLATIONS ONLY)

General Specifications for Piping

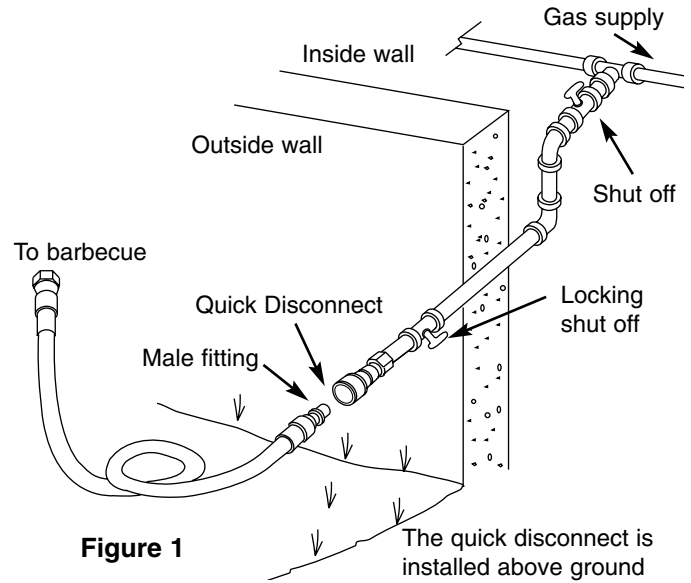
Note - Contact your local municipality for building codes regulating outdoor gas barbecue installations. In absence of Local Codes, you must conform to the latest edition of ANSI Z223.1. WE RECOMMEND THAT THIS INSTALLATION BE DONE BY A PROFESSIONAL.

Some of the following are general requirements taken from ANSI Z223.1, for gas supply installations. Refer to ANSI Z223.1 latest edition for complete specifications.

- This barbecue is designed to operate at 4.5 inches of water column pressure (.1625 psi). Use only the regulator with the cooking module.
- A manual shut-off valve must be installed outdoors, immediately ahead of the quick disconnect.
- An additional manual shut-off valve indoors should be installed in the branch fuel line in an accessible location near the supply line.
- The quick disconnect connects to a 3/8 inch NPT thread from the gas source. The quick disconnect fitting is a hand-operated device that automatically shuts OFF the flow of gas from the source when the barbecue is disconnected.
- The quick disconnect fitting can be installed horizontally, or pointing downward. Installing the fitting with the open end pointing upward can result in collecting water and debris.
- The dust covers (supplied plastic plugs) help keep the open ends of the quick disconnect fitting clean while disconnected.
- Pipe compound should be used which is resistant to the action of natural gas when connections are made.
- The outdoor connector must be firmly attached to rigid, permanent construction.

⚠WARNING: Do not route the 12 foot hose under a deck. The hose must be visible.

Typical natural gas supply installation. Figure 1.



Gas line piping

- If the length of line required does not exceed 50 feet, use a 5/8" O.D. tube. One size larger should be used for lengths greater than 50 feet.
- Gas piping may be copper tubing, type K or L; polyethylene plastic tube, with a minimum wall thickness of .062 inch; or standard weight (schedule 40) steel or wrought iron pipe.
- Copper tubing must be tin-lined if the gas contains more than 0.3 grams of hydrogen sulfide per 100 cubic feet of gas.
- Plastic tubing is suitable only for outdoor, underground use.
- Gas piping in contact with earth, or any other material which may corrode the piping, must be protected against corrosion in an approved manner.
- Underground piping must have a minimum of 18" cover.

Test connections

All connections and joints must be thoroughly tested for leaks in accordance with local codes and all listed procedures in the latest edition of ANSI Z223.1.

⚠ DANGER

Do not use an open flame to check for gas leaks. Be sure there are no sparks or open flames in the area while you check for gas leaks. This will result in a fire or explosion which can cause serious bodily injury or death, and damage to property.

TOOLS NEEDED

7/16 and 3/4 inch open end or an adjustable wrench



SUPPLIES NEEDED

Your LP tank is shipped empty for safety. After setting the LP fuel scale you will need to fill it. (See Step "Fill LP tank.")

You will need a soap and water solution to check for gas leaks. (See Step "Check for gas leaks.")

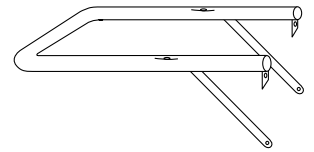
Note - The hardware size of nuts, bolts and screws is given. For example "1/4-20 x 2 inch bolt" means a bolt 1/4 inch in diameter with 20 threads to the inch, 2 inches long. On a small screw for example, "6-32 x 1/2 inch screw" means a number 6 screw, with 32 threads to the inch, 1/2 inch long.

While we give much attention to our products, unfortunately an occasional error may occur. If a part is missing, do not go back to the store. Call the Weber Customer Service Center toll free **1-888-33-SUMMIT** (1-888-337-8664) to receive immediate assistance. Have your owner's manual and serial number of the barbecue available for reference.

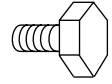
Note: Remove all packaging materials from the barbecue, the front, back sides, inside the barbecue cart, and the bottom shipping platform. Once the packaging material is removed, carefully roll the barbecue off the shipping platform and lock the casters.

CONTINUE TO REMOVE PACKAGED CONTENTS

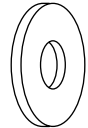
"U" rails (2)



1/4-20 x 1/2 inch bolt (8)



Nylon washer (8)

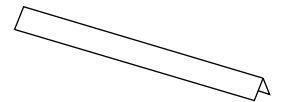


1/4-20 wing nuts (4)



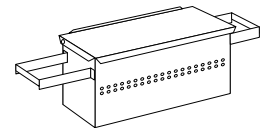
Flavorizer bar

(7) (Summit 425 or 450)
(11) (Summit 625 or 650)



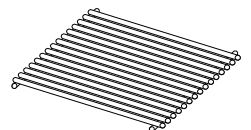
Steam-N-Chips smoker

Note: If you use the Steam-N-Chips Smoker, you will be removing one of the Flavorizer bars. You have a full set of Flavorizer bars to use when not using the Steam-N-Chips smoker.

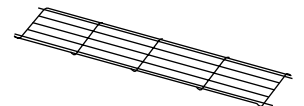


Cooking grate

(2) (Summit 425 or 450)
(3) (Summit 625 or 650)



Warm-up rack



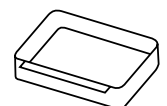
Bottom tray



Catch pan holder



Catch pan

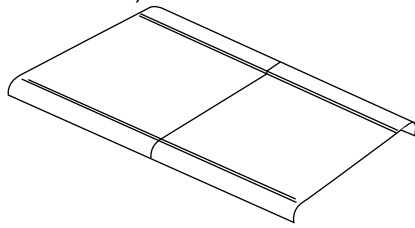


Drip pan

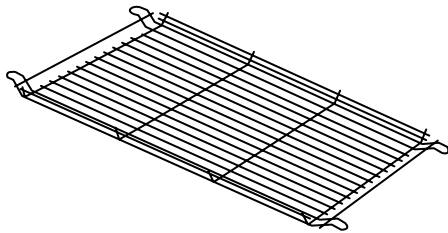


REMOVE PACKAGED CONTENTS (CONTINUED)

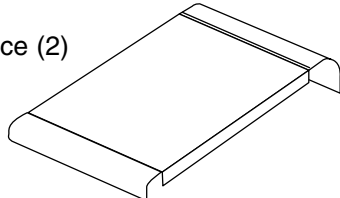
Stainless steel bottom shelves
(For Summit 425 and 625)



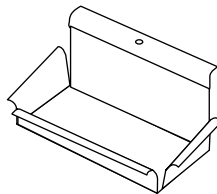
Wire bottom rack
(For Summit 450 and 650)



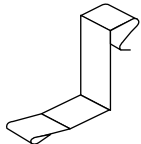
Stainless steel work surface (2)



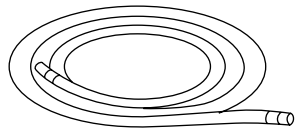
Condiment holder (2)



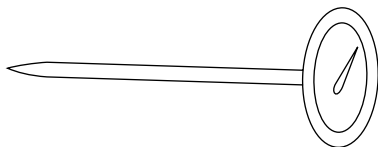
Tool holder (4)



Hose



Thermometer



INSTALL "U" RAILS

Note: lock the casters before starting assembly.

You will need: two "U" rails, eight 1/4-20 x 1/2 inch bolts, eight nylon washers, and a 7/16 inch or adjustable wrench. Insert the tabs of the "U" rail into the frame rails. Make sure both tabs are inside the frame rails. Figure 2(a) and that the "U" rail supports are outside of the "U" rail support mounts. Figure 2(a).

Push the "U" rail down into place on top of the frame rail. Add a nylon washer to a bolt and start the bolt through the hole of the frame rail into the tab of the "U" rail. Only start the two bolts. Figure 2(b).

Align the holes of the "U" rail support with the holes in the "U" rail support mount. Add a washer to a bolt and start the bolt through the "U" rail support and into the "U" rail support mount. Figure 2(b). Only start the two bolts.

Once you have started the four bolts per side, use the 7/16 inch or adjustable wrench to tighten the four bolts on each side of the barbecue.

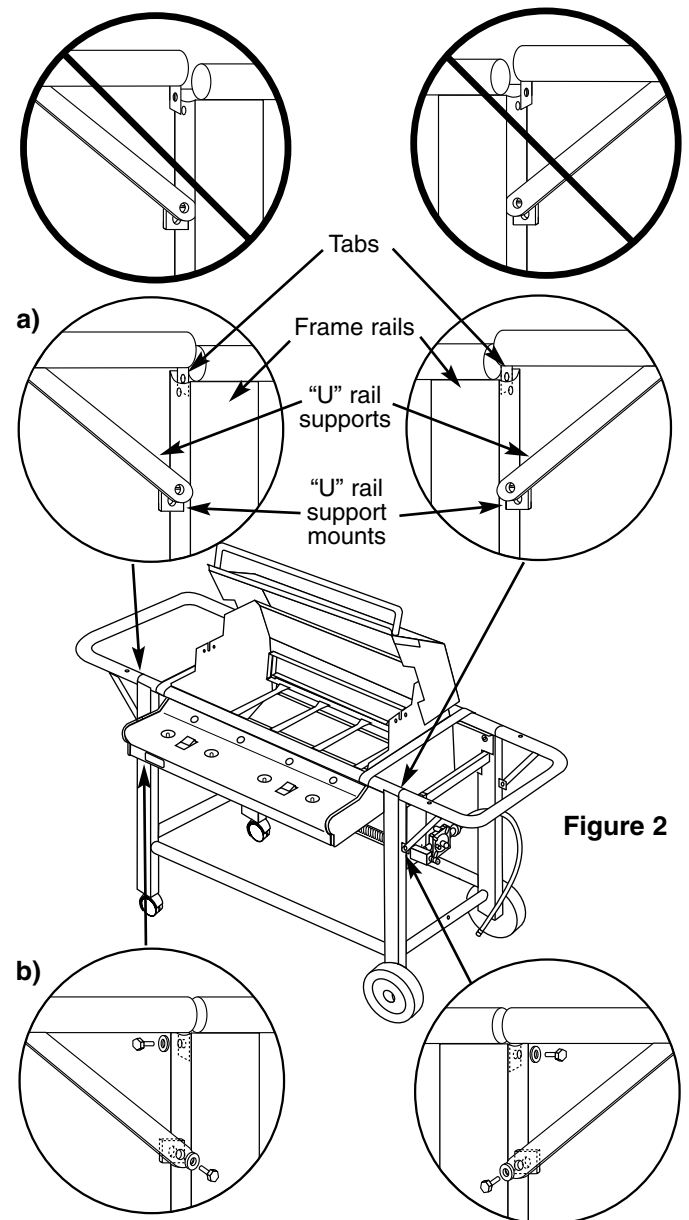


Figure 2

CONNECT FLEXIBLE HOSE TO REGULATOR

You will need: the 12 foot natural gas supply hose and a 3/4 inch or adjustable wrench.

Thread fitting end of hose onto regulator. Figure 3. Tighten with wrench.

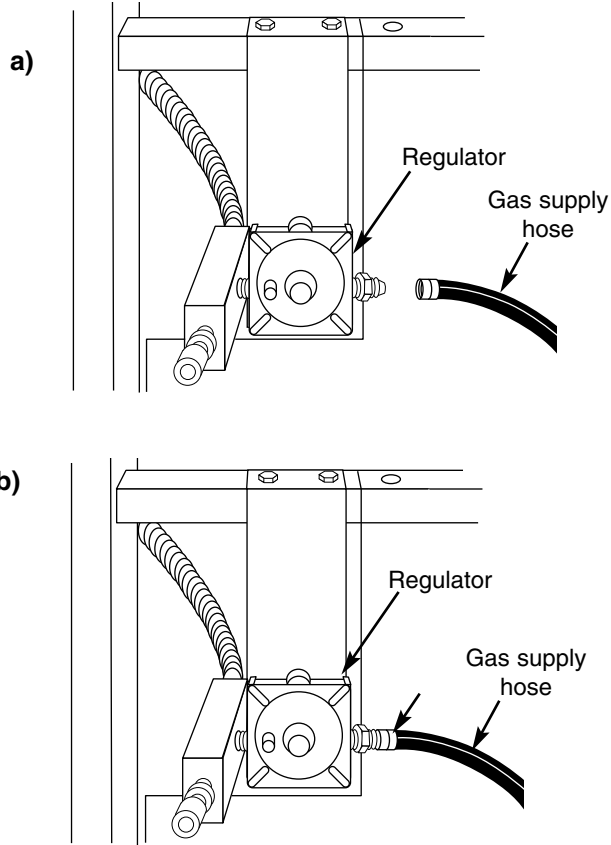


Figure 3

INSTALL FLAVORIZER BARS

You will need: seven (Summit 425 or 450) or eleven (Summit 625 or 650) flavorizer bars

Set the Flavorizer bars front to back over the burners in the slots of the Flavorizer Bar/cooking grill support. Figure 4 (a).

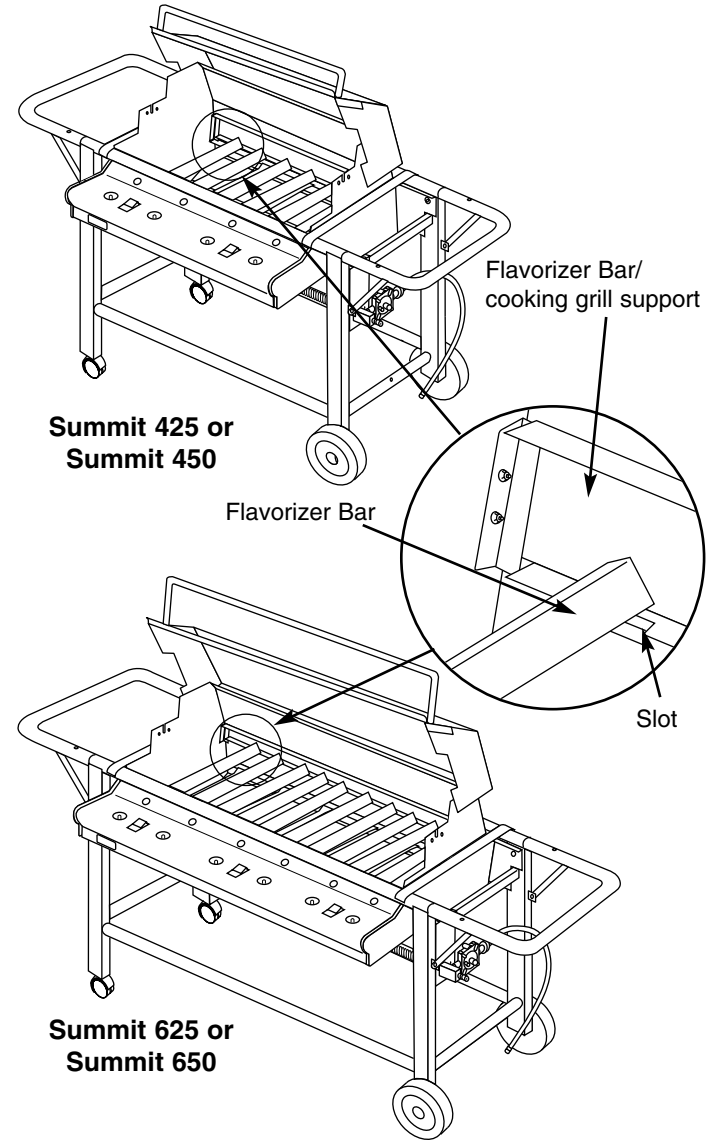


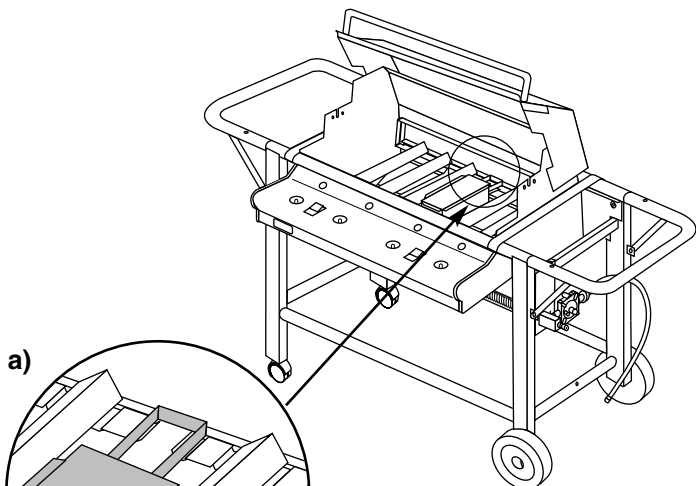
Figure 4

INSTALL STEAM-N-CHIPS SMOKER

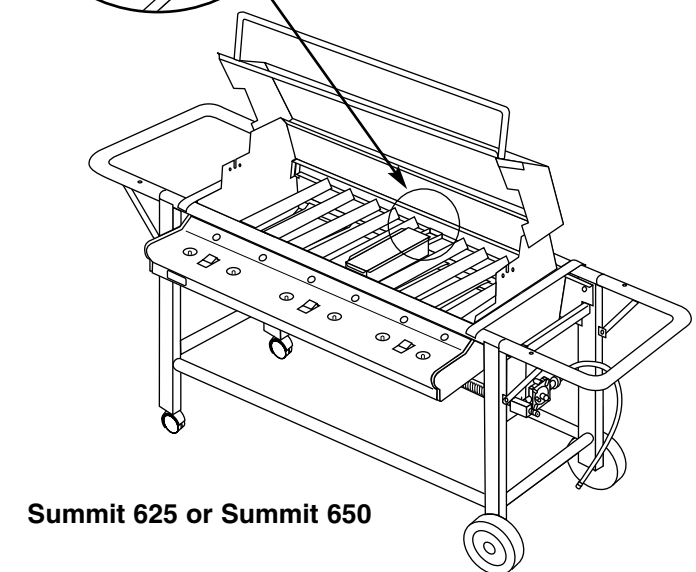
You will need: Steam-N-Chips smoker.

Remove the center Flavorizer bar (the one that is not over a burner). Set the handles of the Steam-N-Chips smoker on the Flavorizer bar holder. Figure 5 (a).

Note: For directions on how to use the Steam-N-Chips smoker, see the Operating Guide.



Summit 425 or Summit 450



Summit 625 or Summit 650

Figure 5

ADD COOKING GRATES

You will need: two (Summit 425 or 450) or three (Summit 625 or 650) cooking grates.

The cross-wire of the cooking grate goes down. Set the cooking grates in place next to each other. Figure 6.

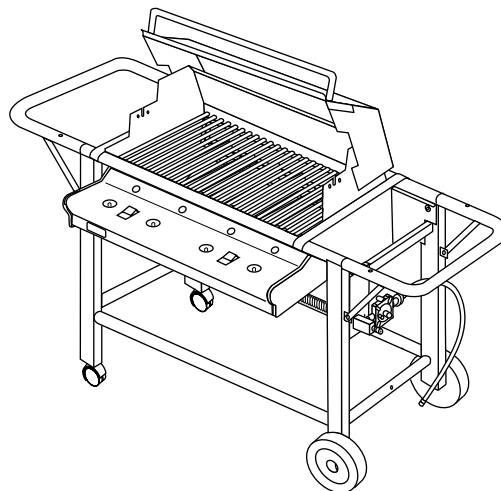


Figure 6

INSTALL WARM-UP RACK

You will need: warm-up rack.

Install one end of the warm-up rack into the hole on the right end of the lid and the other end into the slot in the left end of the lid. Figure 7 (a).

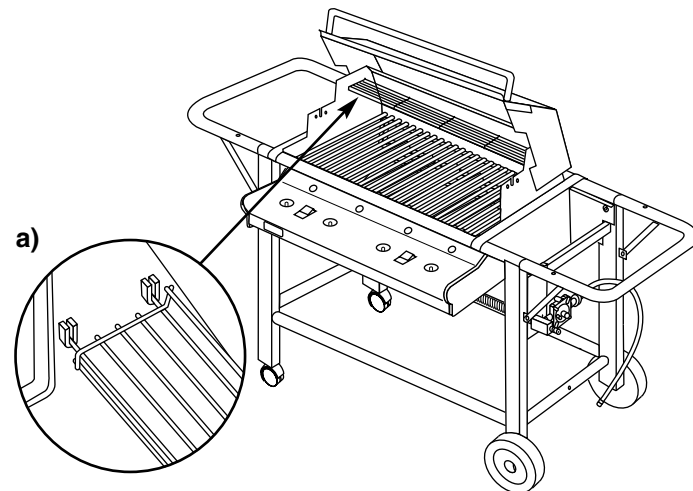


Figure 7

INSTALL BOTTOM TRAY

You will need: Bottom tray, catch pan holder, catch pan, and one drip pan.

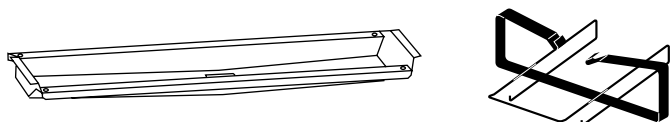


Figure 8

Note: It may be easier to install the catch pan holder by removing the catch pan from the holder.

Hook the ends of the catch pan holder into the hole in the bottom tray. Figure 9.

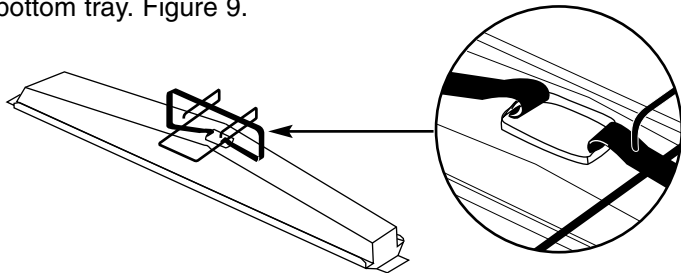


Figure 9

Slide the bottom tray into the mounting slots under the bottom of the cooking box with the finger grip of the catch pan toward you. Figure 15.

⚠CAUTION: Do not line the bottom tray with aluminum foil. It can cause grease fires by trapping the grease and not allowing grease to flow into the catch pan.

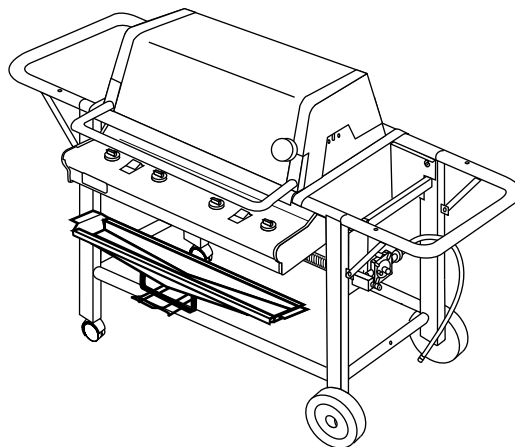


Figure 10

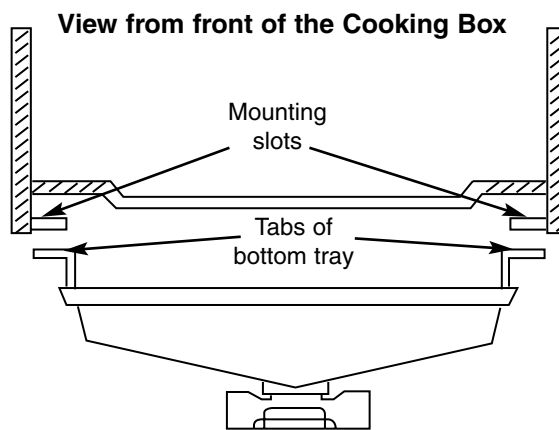


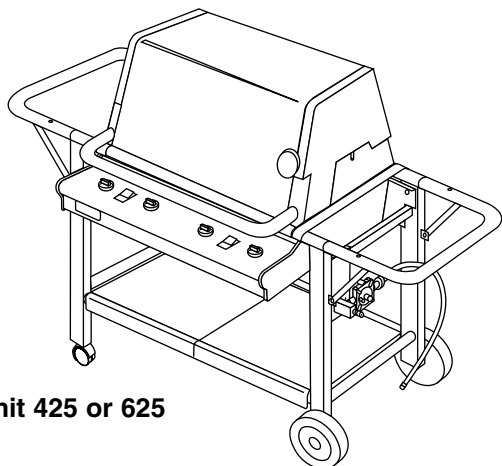
Figure 11

Put the foil drip pan into the catch pan.

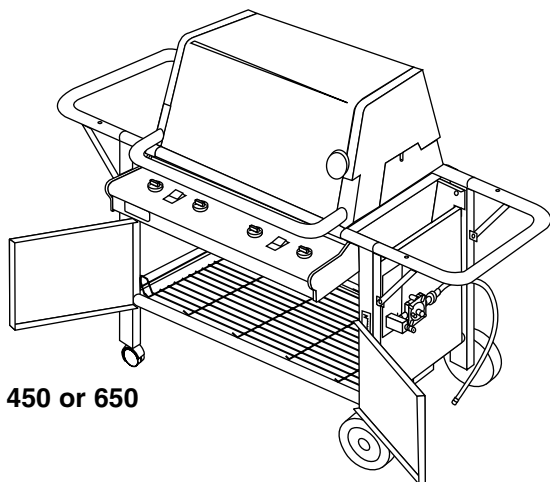
INSTALL BOTTOM SHELVES

For the Summit 425 or 625, place the stainless steel bottom shelves between the frame supports.

For the Summit 450 and 650, place the bottom rack under the cart between the frame supports. Lift up one end of the rack so it clears the crosspiece. Continue to lift until the opposite end clears the opposite crosspiece. Set the rack in place on both crosspieces.



Summit 425 or 625



Summit 450 or 650

Figure 12

INSTALL CONDIMENT HOLDERS AND WORK SURFACES

You will need: two condiment holders, two stainless steel work surfaces, and four wing nuts.

Place the condiment holders on the left and right side of the frame. Figure 13(a). Set the work surfaces over the condiment holders on both sides of the barbecue. The studs of the work surface go through the holes in the top of the condiment holder and through the frame rail. Thread on the wing nuts on the front and back and tighten. Figure 13(b).

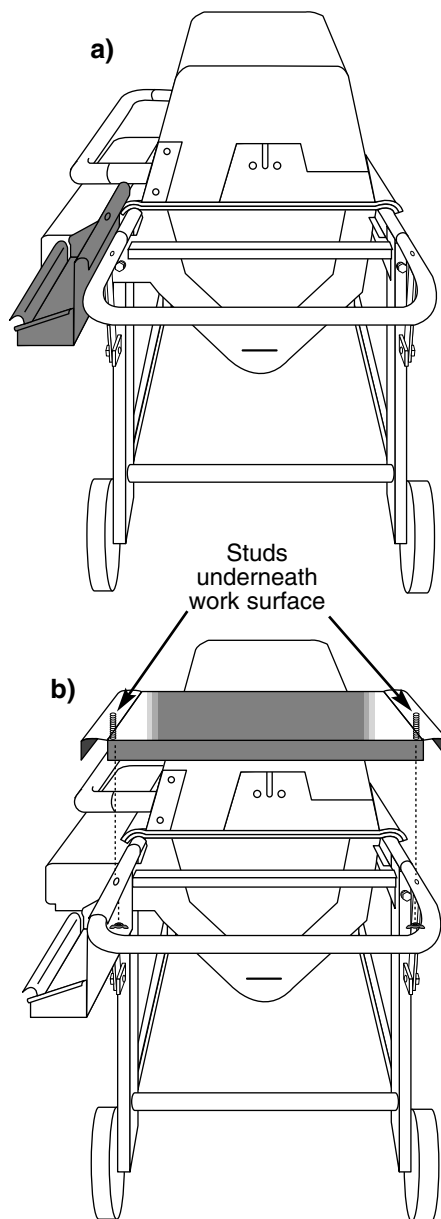


Figure 13

CHECK FOR GAS LEAKS

⚠ WARNING

The gas connections of your Weber Gas Barbecue have been factory tested. We do however recommend that you leak check all gas connections before operating your Weber Gas Barbecue.

Remove burner control knobs, control panel and front panel

Remove the burner control knobs. The control panel is separate from the front panel. The control panel needs to be removed before the front panel can be removed. Figure 14.

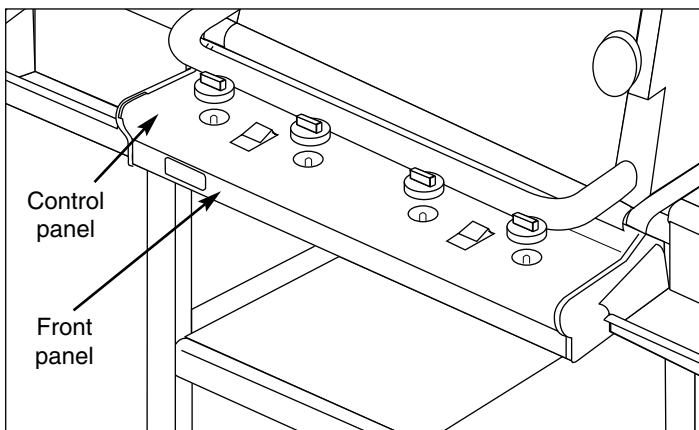


Figure 14

Put your fingers under the front edge of the control panel, lift up, and pull evenly toward you. Figure 15 (a).

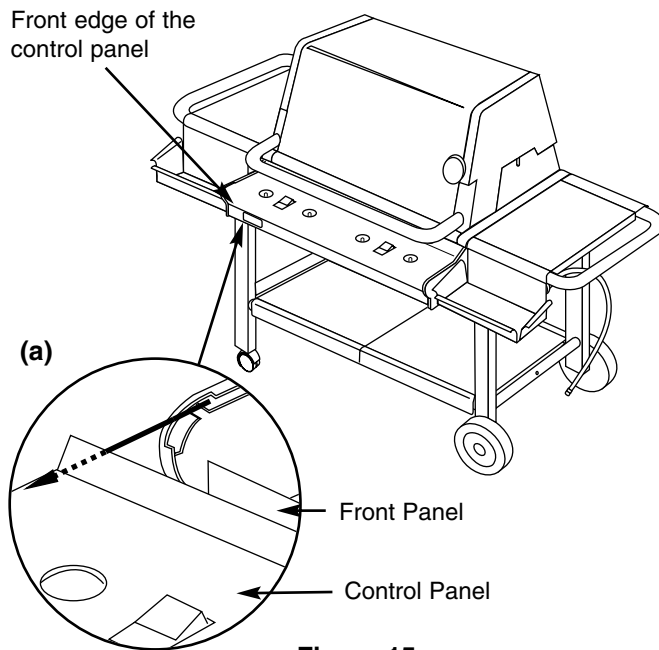


Figure 15

Pull the front panel up and out of the cooking box assembly. Figure 16.

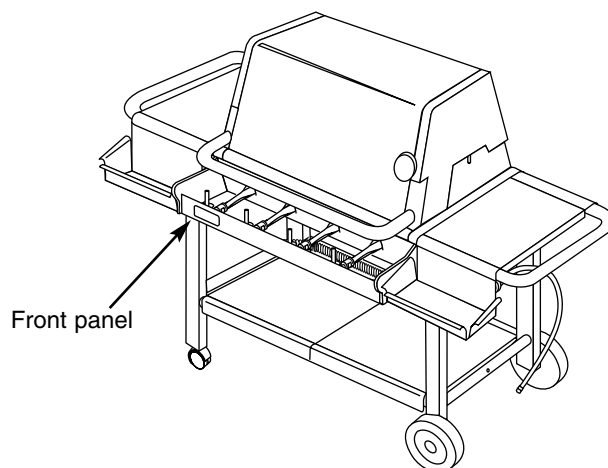


Figure 16

CHECK FOR GAS LEAKS (CONTINUED)

⚠ DANGER

Do not use an open flame to check for gas leaks. Be sure there are no sparks or open flames in the area while you check for leaks. This will result in a fire or explosion which can cause serious bodily injury or death and damage to property.

⚠ **WARNING:** You should check for gas leaks every time you disconnect and reconnect a gas fitting.

You will need: a soap and water solution and a rag or brush to apply it.

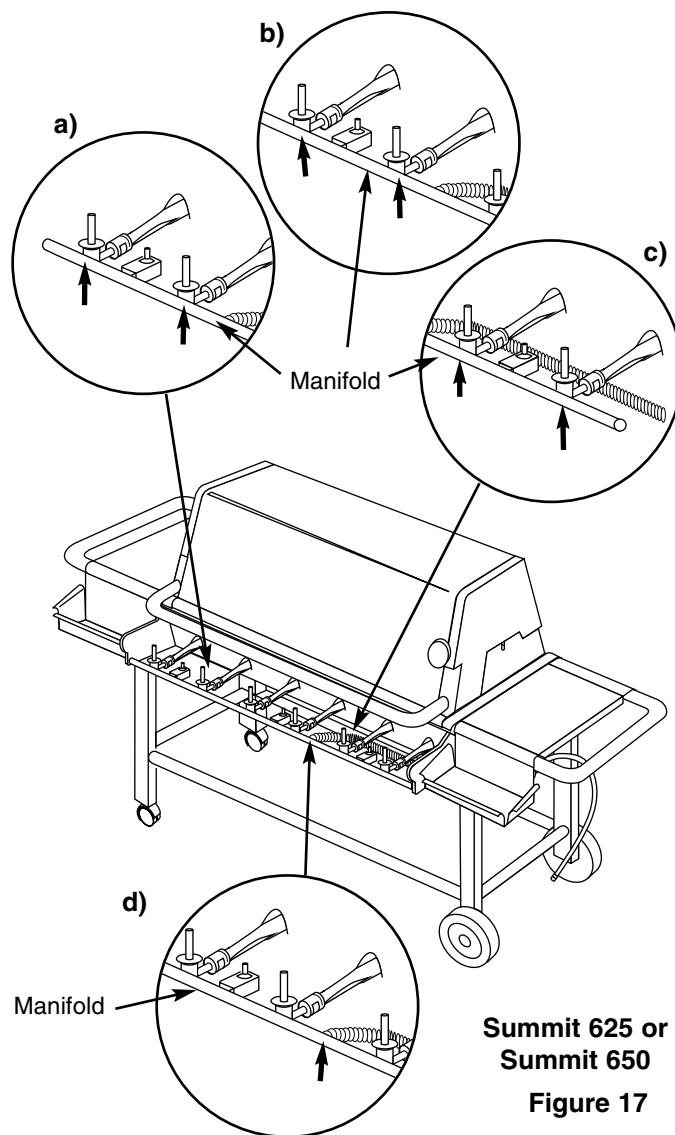
Note: Since some leak test solutions, including soap and water, may be slightly corrosive, all connections should be rinsed with water after checking for leaks.

⚠ **WARNING:** Make sure all burner control knobs are in the OFF position, including the side burner, if the barbecue has a side burner.

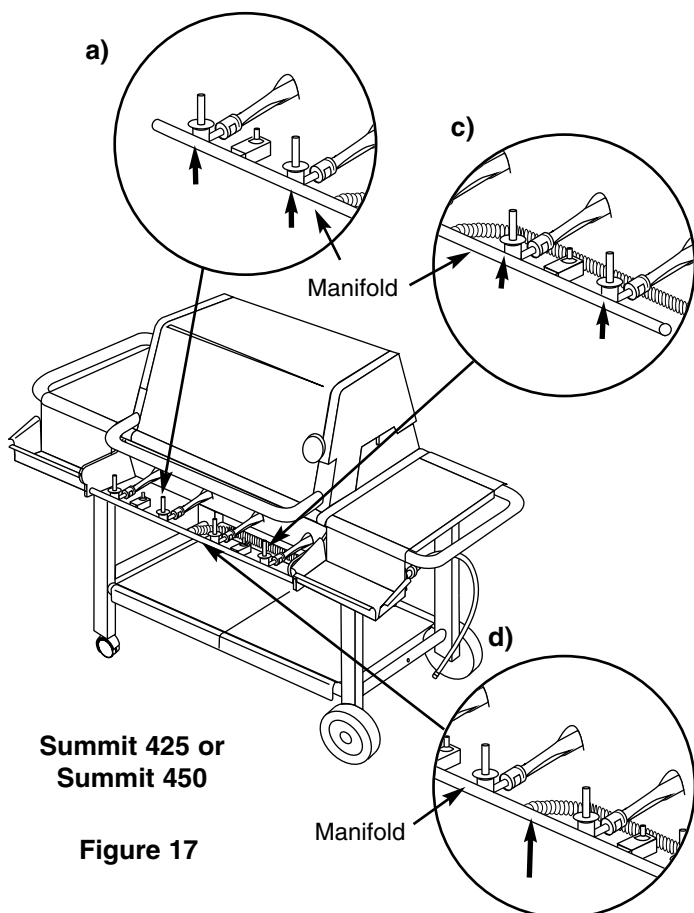
Turn on gas supply.

Check for leaks by wetting the connections with the soap and water solution and watching for bubbles. If bubbles form or if a bubble grows there is a leak.

⚠ **WARNING:** Do not ignite burners when leak checking.



Summit 625 or
Summit 650
Figure 17



Summit 425 or
Summit 450

Figure 17

Check:

- Left valves to manifold connection. Figure 17 (a).
- Center valves to manifold connection. Figure 17 (b). (For Summit 625 or 650 only.)
- Right valves to manifold connection. Figure 17 (c).
- Gas line to manifold connection. Figure 17 (d)

⚠ **WARNING:** If there is a leak at connection 17 (d), turn OFF the gas and retighten the fitting with a wrench and recheck for leaks with soap and water solution.

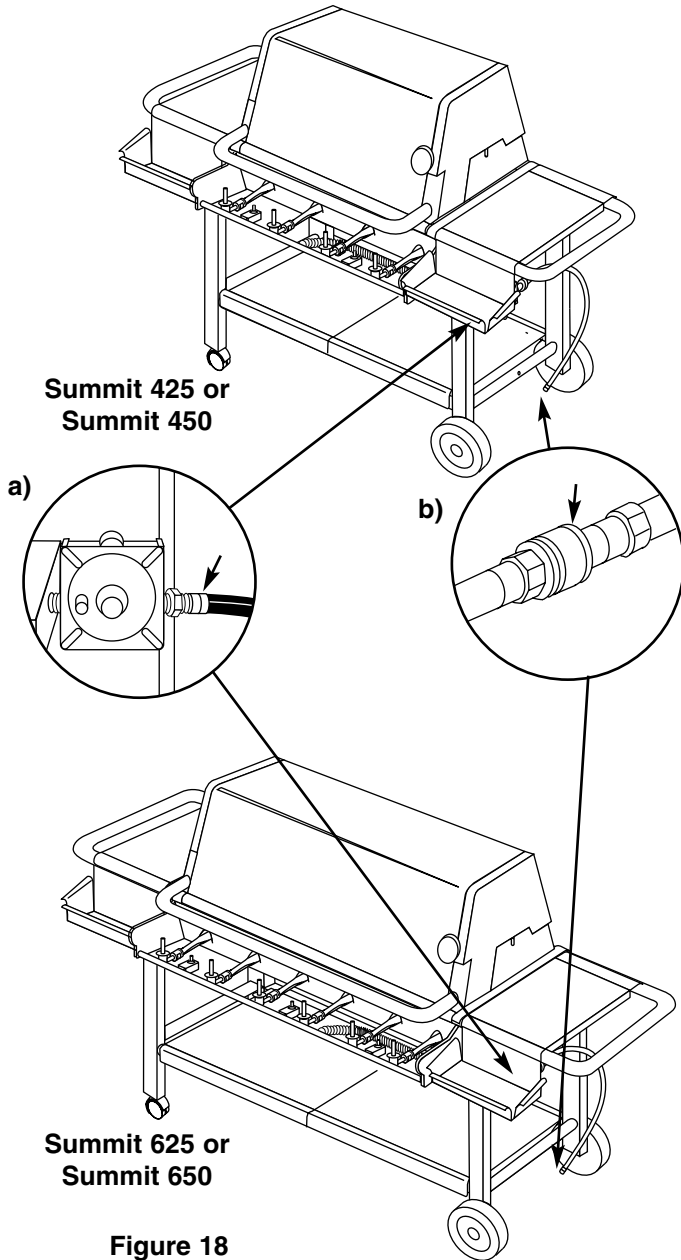
If a leak persists after retightening the fitting, turn OFF the gas. **DO NOT OPERATE THE BARBECUE.** Contact your dealer.

CHECK FOR GAS LEAKS (CONTINUED)

- a) Hose to regulator connection. Figure 18 (b).
- b) Hose to quick disconnect connection. Figure 18 (a).

⚠WARNING: If there is a leak at connections 17 (a), 17 (b), 17 (c) 18 (a), or 18 (b) turn OFF the gas. Do not operate the barbecue. Contact your dealer.

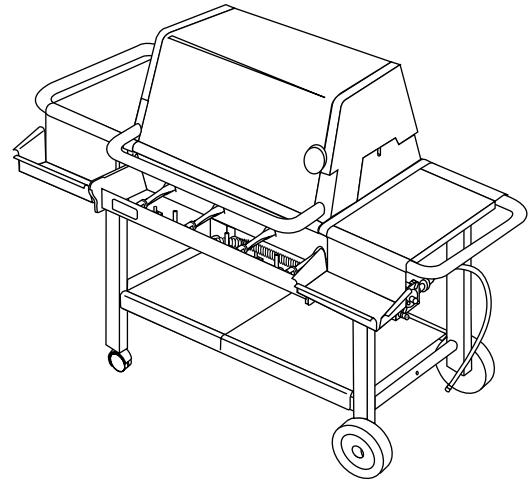
When leak checks are complete, turn gas supply OFF at the source and rinse connections with water.



REINSTALL FRONT PANEL

You will need: front panel.

With the Weber logo to the left, slide front panel down into place. Figure 19.



INSTALL TOOL HOLDERS

You will need: four tool holders.

Place the tool holder under the control panel and over the front panel. Figure 20 (a). Set the tool holder on top of the front panel and slide it to the left.

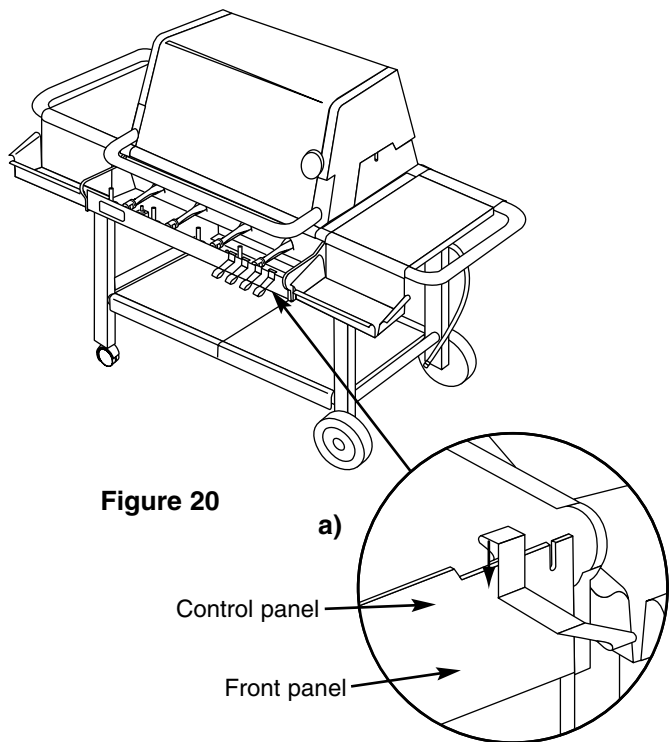


Figure 20

REINSTALL CONTROL PANEL

You will need: control panel.

Pull igniter buttons up until they stay in the up position. Place the control panel into the grooves on either side of the front of the cooking box. Push the control panel into place, using even pressure while pushing. Figure 20 (a).

Use your fingers to lift the front edge of the control panel slightly and set it into the recess on both sides of the cooking box. Figure 21.

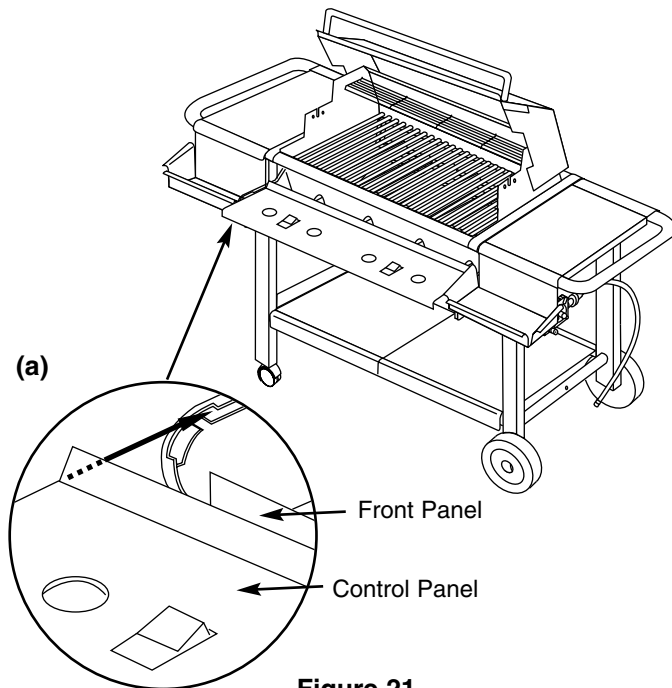


Figure 21

REINSTALL BURNER CONTROL KNOBS

You will need: four (Summit 425 or 450) or six (Summit 625 or 650) burner control knobs.

Push on the burner control knobs. Figure 22.

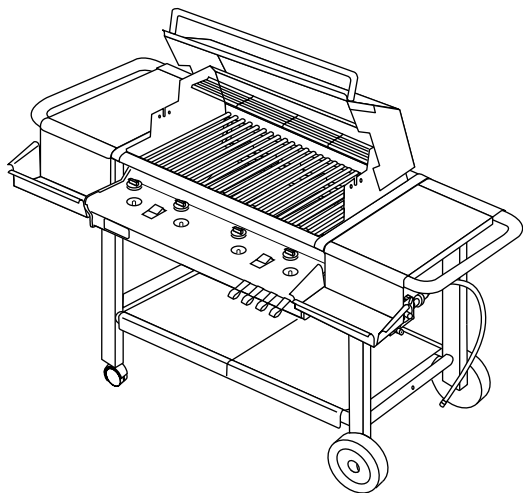
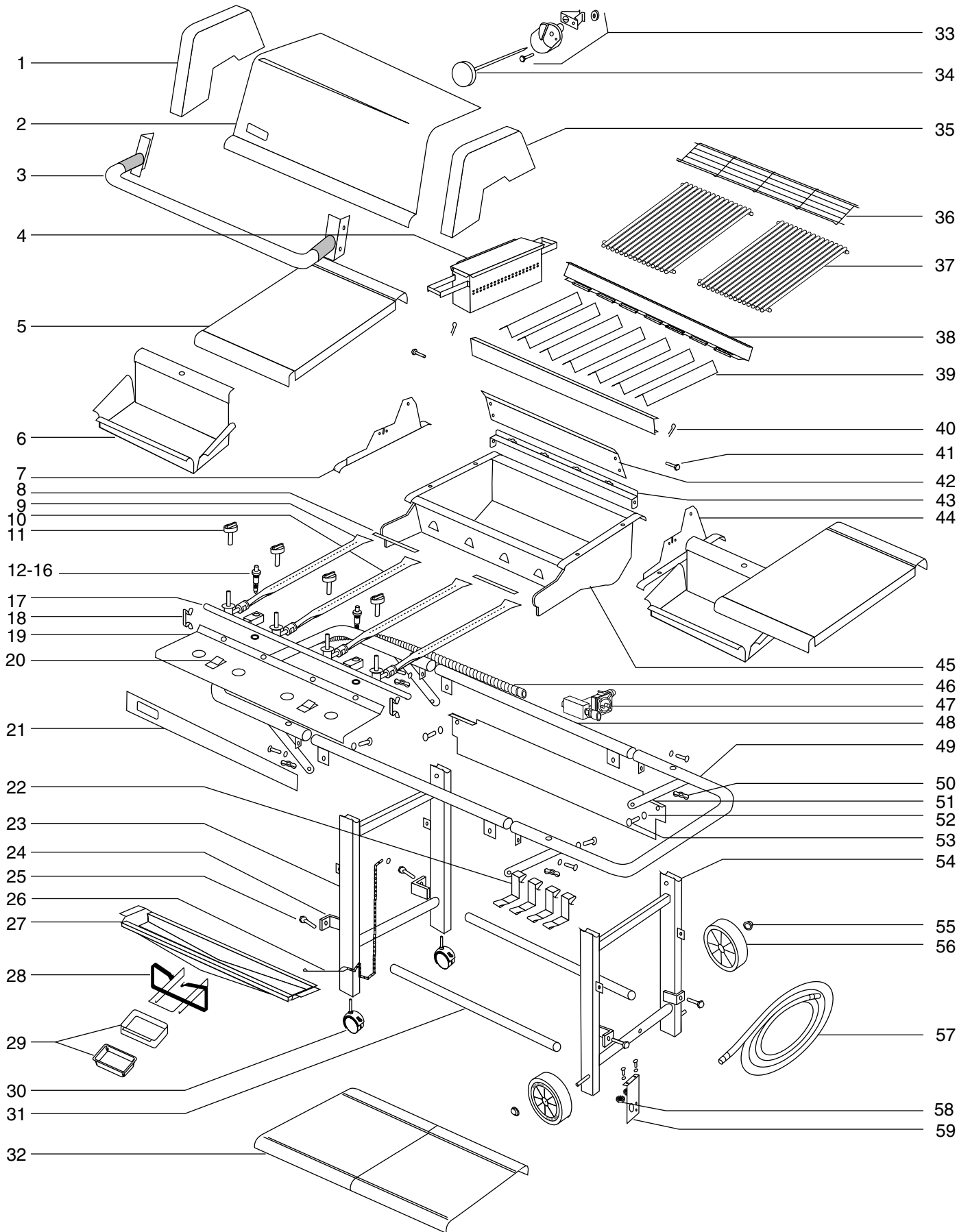


Figure 22

**REFER TO OPERATING
GUIDE BEFORE LIGHTING
BARBECUE**

EXPLODED VIEWS FOR SUMMIT 425 NG



REPLACEMENT PARTS LIST FOR SUMMIT 425 NG

- 1 Left pivoting endcap
- 2 Shroud assembly
- 3 Stainless steel handle
- 4 Steam-N-Chips smoker
- 5 Stainless steel work surface (2)
- 6 Condiment holder (2)
- 7 Left fixed endcap
- 8 Crossover tube (2)
- 9 Left burner (2)
- 10 Right burner (2)
- 11 Burner control knobs (4)
- 12 Igniter (2)
- 13 Igniter lock nut (2)
- 14 Igniter wire (white) (2)
- 15 Igniter wire (black) (2)
- 16 Gas catcher ignition chamber (2)
- 17 Manifold assembly
- 18 Manifold mounting clips (2)
- 19 Control panel
- 20 Igniter button (2)
- 21 Front panel
- 22 Tool holder (4)
- 23 Caster frame
- 24 Frame support (4)
- 25 1/4-20 x 3 1/2 inch bolt (4)
- 26 Match holder and chain
- 27 Bottom tray
- 28 Catch pan holder
- 29 Catch pan kit
- 30 Caster (2)
- 31 Bottom connector (2)
- 32 Stainless steel bottom shelf (2)
- 33 Thermometer mount assembly
- 34 Thermometer
- 35 Right pivoting endcap
- 36 Warm-up rack
- 37 Cooking grates (2)
- 38 Flavorizer bar / cooking grate holder (2)
- 39 Flavorizer bar (7)
- 40 Hair pin cotter (2)
- 41 Clevis pin (2)
- 42 Rear shroud
- 43 Burner tube rest
- 44 Right fixed endcap
- 45 Cookbox assembly
- 46 Corrugated gas line
- 47 Regulator assembly
- 48 Straight frame rail (2)
- 49 "U" rail (2)
- 50 1/4-20 wing nuts (4)
- 51 Back panel
- 52 Nylon washer (18)
- 53 1/4-20 x 1/2 inch bolt (14)
- 54 Wheel frame

- 55 Wheel hubcap (2)
- 56 Wheel (2)
- 57 Hose
- 58 1/4-20 keps nut (6)
- 59 Regulator mounting bracket

All items are single quantities unless otherwise specified.

Parts can be ordered directly from Weber-Stephen Products Company by phone or mail.

Note - Do not return parts to Weber-Stephen Products Co. without first contacting the Customer Service Center by phone or mail. Returning the part may not be necessary.

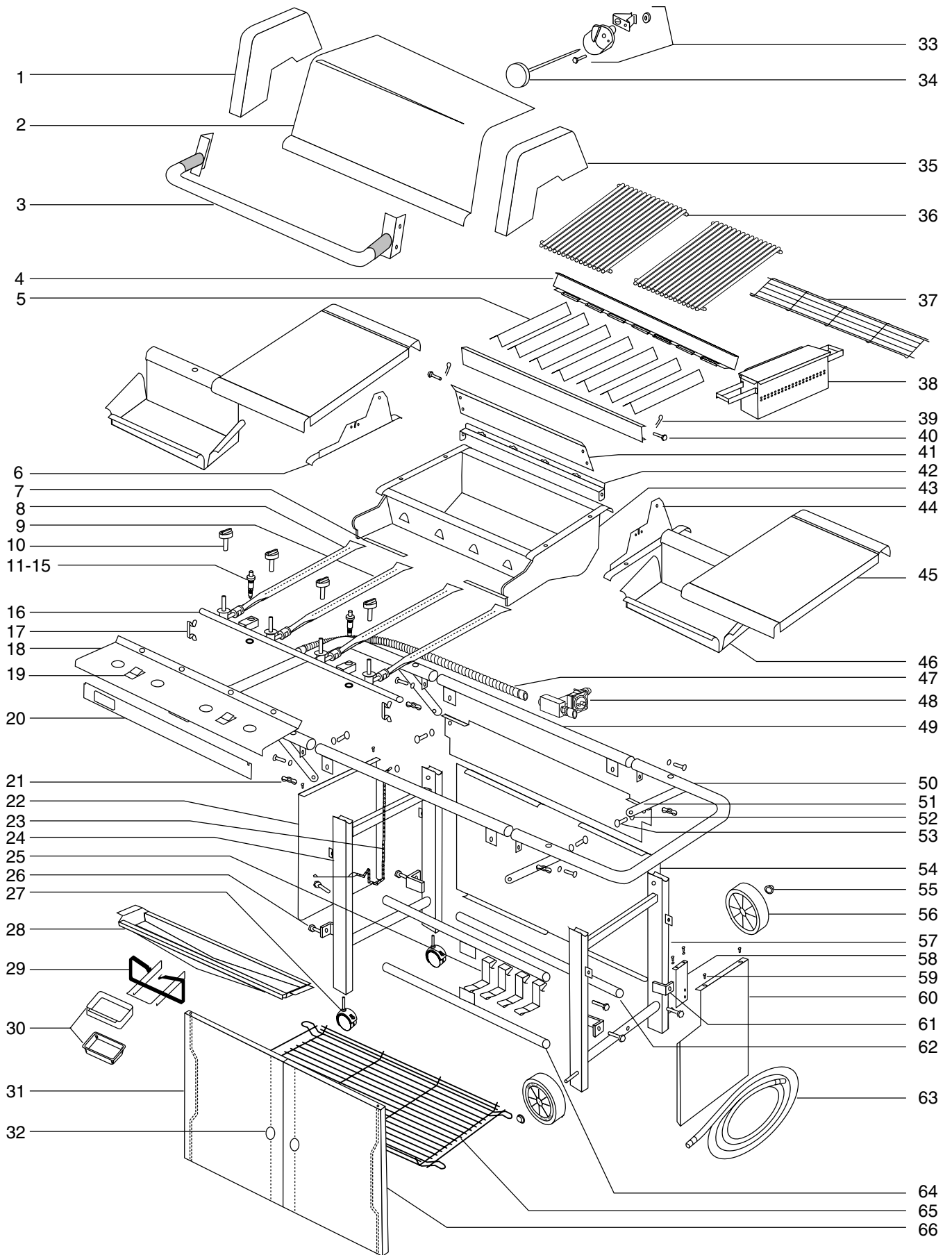
While we give much attention to our products, unfortunately an occasional error may occur. If a part is missing, do not go back to the store. Call the Weber Customer Service Center toll free **1-888-33-SUMMIT** (1-888-337-8664) to receive immediate assistance. Have your owner's manual and serial number of the barbecue available for reference.

Weber-Stephen Products Company
Customer Service Center
250 South Hicks Road
Palatine, IL 60067-6241
(888) 33-SUMMIT
(888-337-8664)



⚠WARNING: Use only Weber factory authorized parts. The use of any part that is not factory authorized can be dangerous. This will also void your warranty.

EXPLODED VIEWS FOR SUMMIT 450 NG



REPLACEMENT PARTS LIST FOR SUMMIT 450 NG

- 1 Left pivoting endcap
- 2 Shroud assembly
- 3 Stainless steel handle
- 4 Flavorizer bar / cooking grate holder (2)
- 5 Flavorizer bar (7)
- 6 Left fixed endcap
- 7 Crossover tube (2)
- 8 Left burner (2)
- 9 Right burner (2)
- 10 Burner control knob (4)
- 11 Igniter (2)
- 12 Igniter lock nut (2)
- 13 Igniter wire (black) (2)
- 14 Igniter wire (white) (2)
- 15 Gas catcher ignition chamber (2)
- 16 Manifold assembly
- 17 Manifold mounting clips (2)
- 18 Control panel
- 19 Igniter button (2)
- 20 Front panel
- 21 1/4-20 wing nut (4)
- 22 Left panel
- 23 Match holder and chain
- 24 Caster frame
- 25 Tool holder (4)
- 26 1/4-20 x 3 1/2 inch bolt (6)
- 27 Caster (2)
- 28 Bottom tray
- 29 Catch pan holder
- 30 Catch pan kit
- 31 Left front door
- 32 Door knob (2)
- 33 Thermometer mount assembly
- 34 Thermometer
- 35 Right pivoting endcap
- 36 Cooking grates (2)
- 37 Warm-up rack
- 38 Steam-N-Chips smoker
- 39 Hair pin cotter (2)
- 40 Clevis pin (2)
- 41 Rear shroud
- 42 Burner tube rest
- 43 Cookbox assembly
- 44 Right fixed endcap
- 45 Stainless steel work surface (2)
- 46 Condiment holder (2)
- 47 Corrugated gas line
- 48 Regulator assembly
- 49 Frame rail (2)
- 50 "U" rail (2)
- 51 Back panel
- 52 Nylon washer (20)
- 53 1/4-20 x 1/2 inch bolts (14)
- 54 Back panel
- 55 Wheel hubcap (2)
- 56 Wheel (2)
- 57 Wheel frame
- 58 Regulator mounting bracket
- 59 Plastic button (4)
- 60 Right panel
- 61 Frame support (4)

- 62 Bottom connector
- 63 Hose
- 64 Bottom connector with bushing (2)
- 65 Accessory rack
- 66 Right front door

All items are single quantities unless otherwise specified.

Parts can be ordered directly from Weber-Stephen Products Company by phone or mail.

Note - Do not return parts to Weber-Stephen Products Co. without first contacting the Customer Service Center by phone or mail. Returning the part may not be necessary.

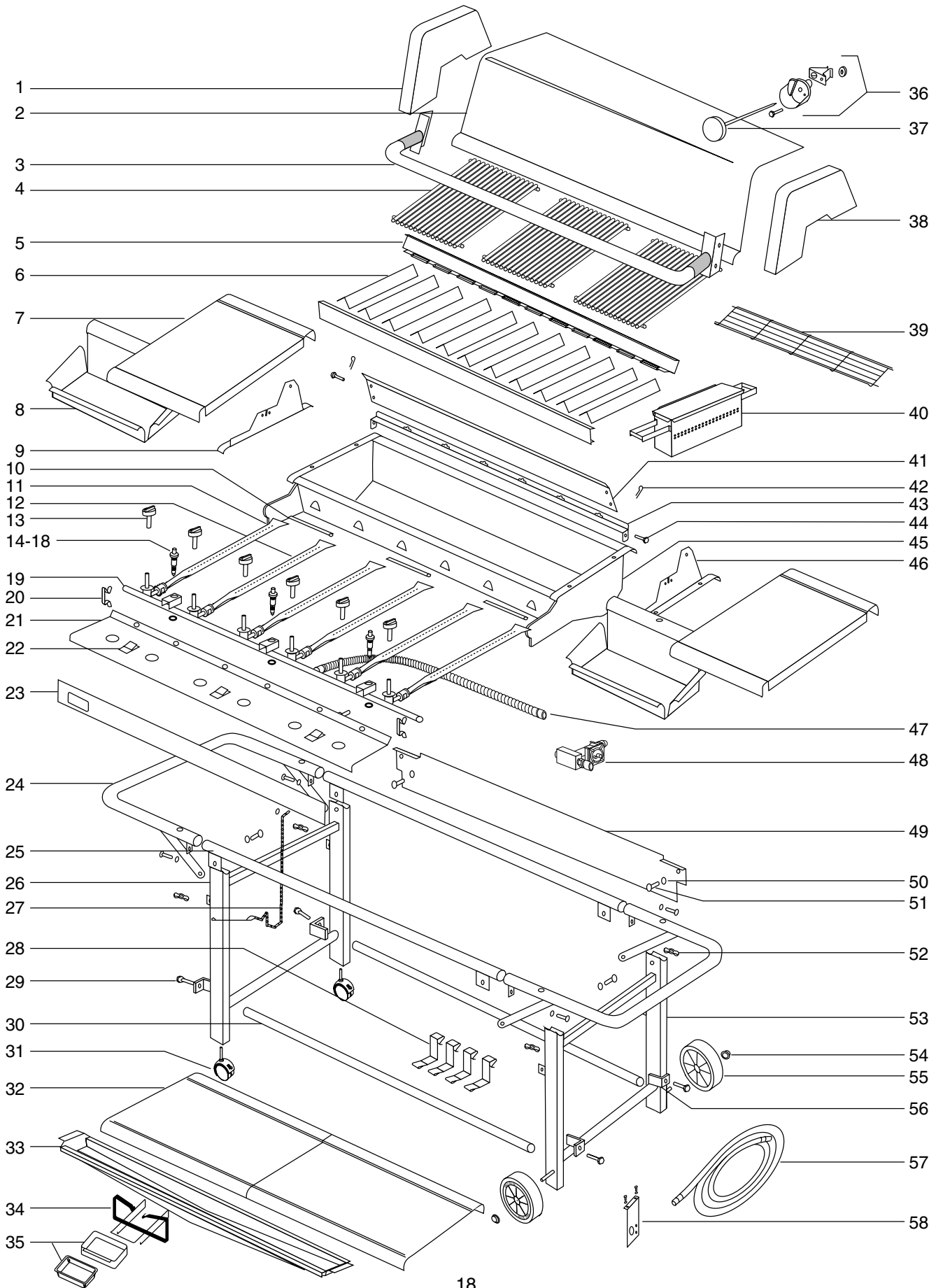
While we give much attention to our products, unfortunately an occasional error may occur. If a part is missing, do not go back to the store. Call the Weber Customer Service Center toll free **1-888-33-SUMMIT** (1-888-337-8664) to receive immediate assistance. Have your owner's manual and serial number of the barbecue available for reference.

**Weber-Stephen Products Company
Customer Service Center
250 South Hicks Road
Palatine, IL 60067-6241
(888) 33-SUMMIT
(888-337-8664)**



⚠WARNING: Use only Weber factory authorized parts. The use of any part that is not factory authorized can be dangerous. This will also void your warranty.

EXPLODED VIEWS FOR SUMMIT 625 NG



REPLACEMENT PARTS LIST FOR SUMMIT 625 NG

- 1 Left pivoting endcap
- 2 Shroud assembly
- 3 Stainless steel handle
- 4 Cooking grates (3)
- 5 Flavorizer bar / cooking grate holder (2)
- 6 Flavorizer bar (11)
- 7 Stainless steel work surface (2)
- 8 Condiment holder (2)
- 9 Left fixed endcap
- 10 Crossover tube (3)
- 11 Left burner (3)
- 12 Right burner (3)
- 13 Burner control knob (6)
- 14 Igniter (3)
- 15 Igniter lock nut (3)
- 16 Igniter wire (black) (3)
- 17 Igniter wire (white) (3)
- 18 Gas catcher ignition chamber (3)
- 19 Manifold assembly
- 20 Manifold mounting clips (2)
- 21 Control panel
- 22 Igniter button (3)
- 23 Front panel
- 24 "U" rail (2)
- 25 Frame rail (2)
- 26 Caster frame
- 27 Match holder and chain
- 28 Tool holder (4)
- 29 1/4-20 x 3 1/2 inch bolt (4)
- 30 Bottom connector (2)
- 31 Caster (2)
- 32 Stainless steel bottom shelf (2)
- 33 Bottom tray
- 34 Catch pan holder
- 35 Catch pan kit
- 36 Thermometer mount assembly
- 37 Thermometer
- 38 Right pivoting endcap
- 39 Warm-up rack
- 40 Steam-N-Chips smoker
- 41 Rear shroud
- 42 Hair pin cotter (2)
- 43 Burner tube rest
- 44 Clevis pin (2)
- 45 Cookbox assembly
- 46 Right fixed endcap
- 47 Corrugated gas line
- 48 Regulator
- 49 Back panel
- 50 Nylon washer (18)
- 51 1/4-20 x 1/2 inch bolt (14)
- 52 1/4-20 wing nut (4)
- 53 Wheel frame
- 54 Wheel hubcap (2)
- 55 Wheel (2)
- 56 Frame support (4)
- 57 Hose
- 58 Regulator mounting bracket

All items are single quantities unless otherwise specified.

Parts can be ordered directly from Weber-Stephen Products Company by phone or mail.

Note - Do not return parts to Weber-Stephen Products Co. without first contacting the Customer Service Center by phone or mail. Returning the part may not be necessary.

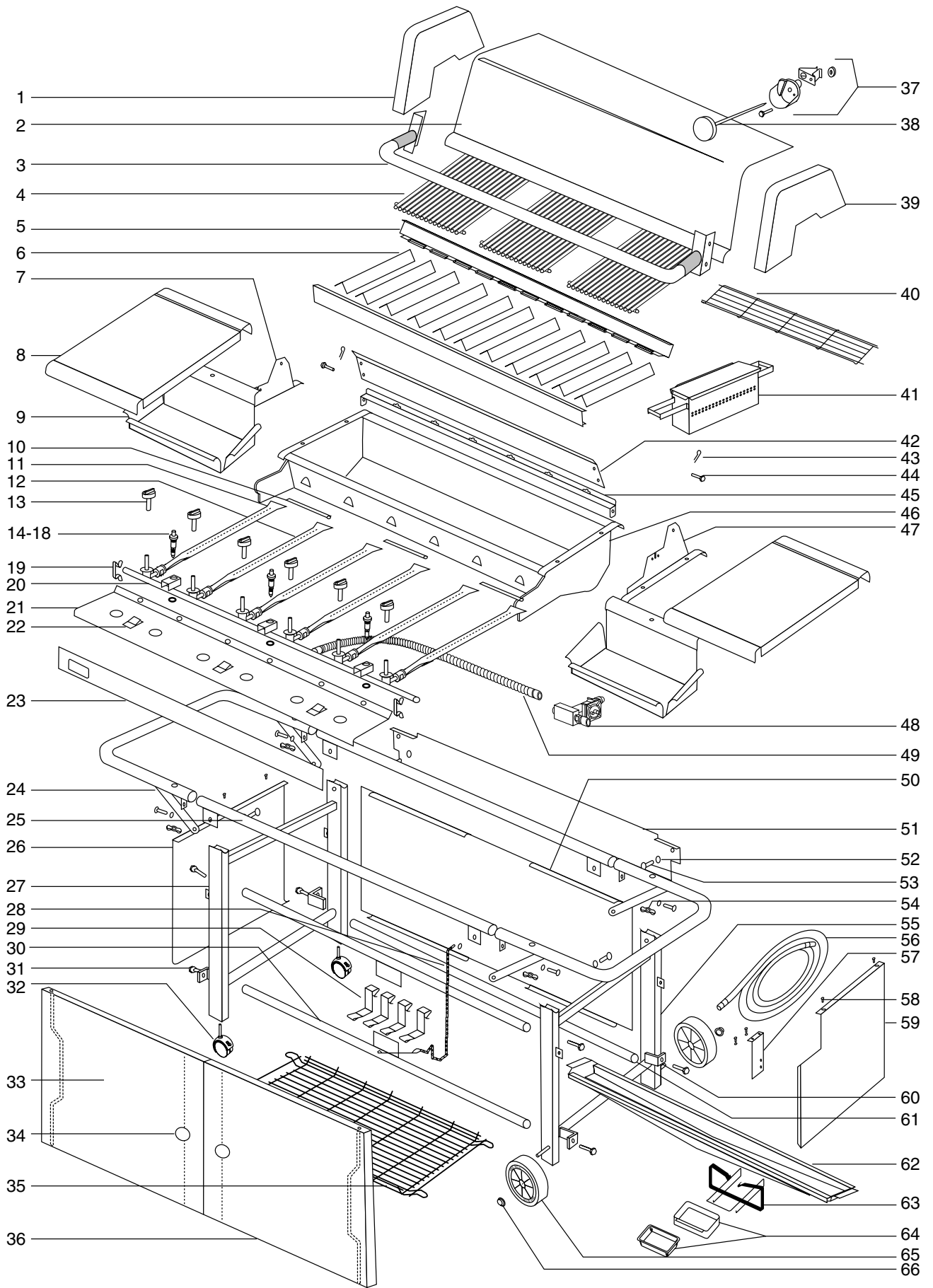
While we give much attention to our products, unfortunately an occasional error may occur. If a part is missing, do not go back to the store. Call the Weber Customer Service Center toll free **1-888-33-SUMMIT** (1-888-337-8664) to receive immediate assistance. Have your owner's manual and serial number of the barbecue available for reference.

Weber-Stephen Products Company
Customer Service Center
250 South Hicks Road
Palatine, IL 60067-6241
(888) 33-SUMMIT
(888-337-8664)



⚠WARNING: Use only Weber factory authorized parts. The use of any part that is not factory authorized can be dangerous. This will also void your warranty.

EXPLODED VIEWS FOR SUMMIT 650 NG



REPLACEMENT PARTS LIST FOR SUMMIT 650 NG

- 1 Left pivoting endcap
- 2 Shroud assembly
- 3 Stainless steel handle
- 4 Cooking grates (3)
- 5 Flavorizer bar / cooking grate holder (2)
- 6 Flavorizer bar (11)
- 7 Left fixed endcap
- 8 Stainless steel work surface (2)
- 9 Condiment holder (2)
- 10 Crossover tube (3)
- 11 Left burner (3)
- 12 Right burner (3)
- 13 Burner control knob (6)
- 14 Igniter (3)
- 15 Igniter lock nut (3)
- 16 Igniter wire (black) (3)
- 17 Igniter wire (white) (3)
- 18 Gas catcher ignition chamber (3)
- 19 Manifold mounting clips (2)
- 20 Manifold assembly
- 21 Control panel
- 22 Igniter button (3)
- 23 Front panel
- 24 "U" rail (2)
- 25 Frame rail (2)
- 26 Left panel
- 27 Caster frame
- 28 Match holder and chain
- 29 Tool holder (4)
- 30 Bottom connector with bushing (2)
- 31 1/4-20 x 3 1/2 inch bolt (6)
- 32 Caster (2)
- 33 Left front door
- 34 Door knob (2)
- 35 Accessory rack
- 36 Right front door
- 37 Thermometer mount assembly
- 38 Thermometer
- 39 Right pivoting endcap
- 40 Warm-up rack
- 41 Steam-N-Chips smoker
- 42 Rear shroud
- 43 Hair pin cotter (2)
- 44 Clevis pin (2)
- 45 Burner tube rest
- 46 Cookbox assembly
- 47 Right fixed endcap
- 48 Regulator assembly
- 49 Corrugated gas line
- 50 Rear panel
- 51 Back panel
- 52 Nylon washer (20)
- 53 1/4-20 x 1/2 inch bolt (14)
- 54 1/4-20 wing nut (4)
- 55 Wheel frame
- 56 Hose
- 57 Regulator mounting bracket
- 58 Plastic button (4)
- 59 Right panel
- 60 Frame support (4)
- 61 Bottom connector

- 62 Bottom tray
- 63 Catch pan holder
- 64 Catch pan kit
- 65 Wheel (2)
- 66 Wheel hubcap (2)

All items are single quantities unless otherwise specified.

Parts can be ordered directly from Weber-Stephen Products Company by phone or mail.

Note - Do not return parts to Weber-Stephen Products Co. without first contacting the Customer Service Center by phone or mail. Returning the part may not be necessary.

While we give much attention to our products, unfortunately an occasional error may occur. If a part is missing, do not go back to the store. Call the Weber Customer Service Center toll free **1-888-33-SUMMIT** (1-888-337-8664) to receive immediate assistance. Have your owner's manual and serial number of the barbecue available for reference.

Weber-Stephen Products Company
Customer Service Center
250 South Hicks Road
Palatine, IL 60067-6241
(888) 33-SUMMIT
(888-337-8664)



⚠WARNING: Use only Weber factory authorized parts. The use of any part that is not factory authorized can be dangerous. This will also void your warranty.

