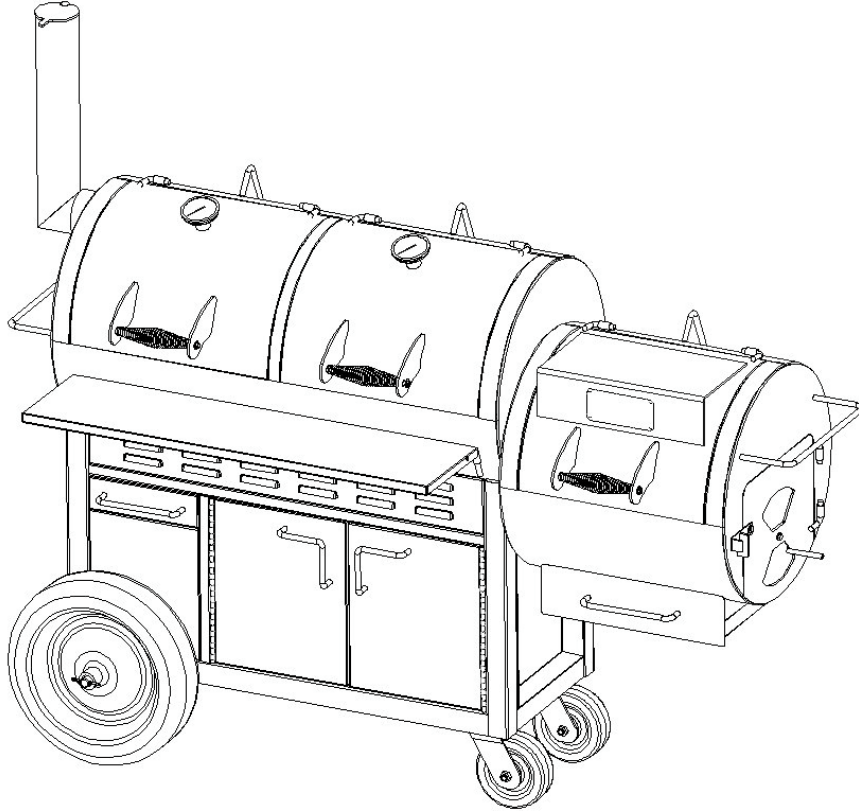




# Longhorn Deluxe

MODEL 06201349



	<b>CAUTION</b>	
<b>THIS UNIT IS HEAVY!</b> DO NOT assemble without a helper.		

	<b>CAUTION</b>	
Some parts may contain sharp edges – especially as noted in manual. Wear protective gloves if necessary.		

	<b>CAUTION</b>	
Read and follow all safety statements, warnings, assembly instructions and use & care directions before attempting to assemble.		

	<b>WARNING</b>	
All surfaces can be hot during use. Use protection as required to prevent burning.		

	<b>WARNING</b>	
Do not use this unit on or near combustible surfaces or structures such as wood decks, dry leaves or grass, vinyl or wood siding, etc. SEE OWNER'S MANUAL FOR IMPORTANT SAFETY INFORMATION.		

	<b>WARNING</b>	
<b>NEVER LEAVE FIRE UNATTENDED!</b> Do not allow small children near flame. Hot embers can fly out in breezy conditions. Adequate fire extinguishing material should be readily available.		

	<b>WARNING</b>	
<b>CARBON MONOXIDE HAZARD</b> Burning charcoal inside can kill you. It gives off carbon monoxide, which has no odor. NEVER burn charcoal inside homes, vehicles or tents.		

**STOP!**

**Missing a part?  
No Need To Go Back To  
The Store!**

The store where you made your purchase  
does not stock parts for this item.

If you need parts,  
whether they are missing or damaged,  
call the Customer Service  
toll free Help Line.

Call us and we will gladly ship the  
part you need  
**FREE OF CHARGE.**

Call Our Help Line  
1-800-232-3398



To insure your satisfaction  
and for follow-up service,  
register your product  
online at:

**[www.grillregistration.com](http://www.grillregistration.com)**

**PARTS LIST**

<b>PART NUMBER</b>	<b>DESCRIPTION</b>	<b>QUANTITY</b>
55700496	SMOKE CHAMBER KIT	1
55700507	FIREBOX KIT	1
55700498	SPRING HANDLE KIT	1
55700499	LOCKING CASTER WHEEL KIT	1
55700500	16" WHEEL KIT	1
55700501	AXLE KIT	1
55700286	SMOKESTACK KIT	1
55700289	BARN DOOR LATCH KIT	1
55700290	BUTTERFLY DAMPER KIT	1
55700502	SS FRONT LOUVERED PANEL KIT	1
55700503	HEAT SHIELD KIT	1
55700504	LEFT CABINET DOOR KIT	1
55700505	RIGHT CABINET DOOR KIT	1
55700506	CABINET KIT	1
29100532	SS FRONT SHELF ASSEMBLY	1
29000568	DOOR MAGNET	1
29100530	ASH DRAWER	1
29000564	GREASE DRAWER	1
60001006	HARDWARE BAG	1
42804208	ASSEMBLY MANUAL	1
40002811	FIREBOX FIRE GRATE	1
29001340	CAST IRON GRATE,SMALL	3
29001341	CAST IRON GRATE,LARGER	1
40003010	TEMPERATURE GAUGE	1

After unpacking the unit, make sure you have all parts. If anything is missing or damaged, contact our customer service hot line at 1.800.232.3398.

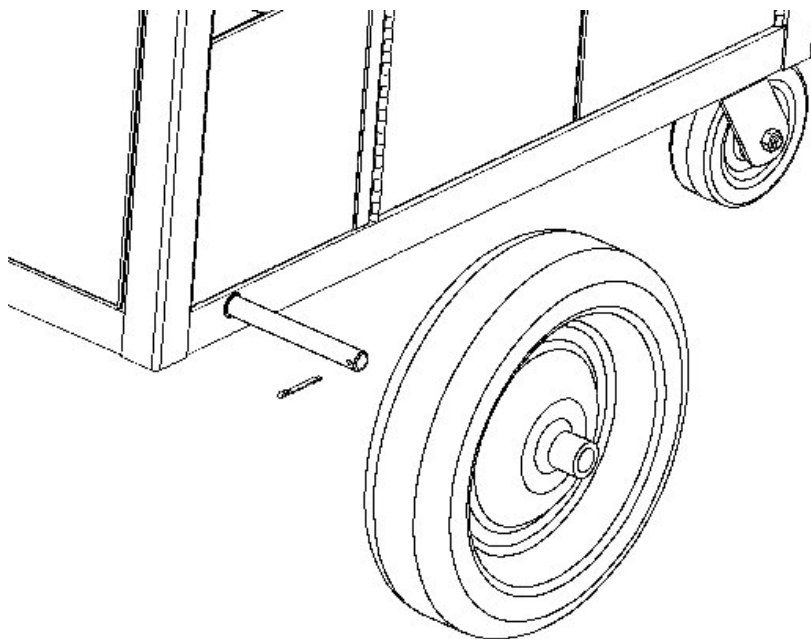
Discard all packing material in a safe manner. Save this assembly instruction for future reference.

**THIS UNIT IS EXTREMELY HEAVY.**

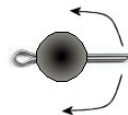
**Move with caution. Unit should never be left unattended without first making sure casters are locked.**

**STEP 1. WHEEL ASSEMBLY** (if not already completed during unpack)

Locate 2 cotter pins and 2 - 16" wheels. Slide one each wheel onto each end of the axle. Push cotter pin through holes near the ends of the axle. Using a pliers, bend cotter pins so they cannot back out.

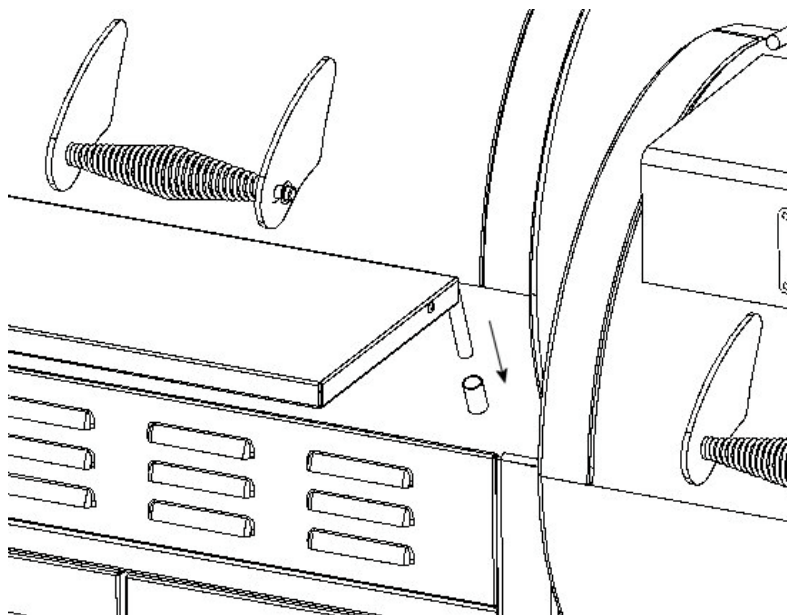


Cotter pin spread



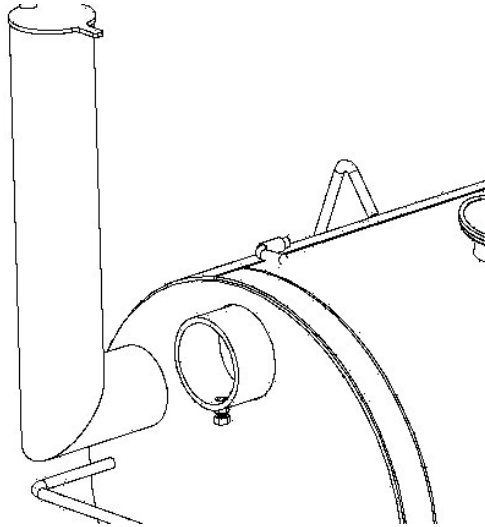
**STEP 2. FRONT SHELF ASSEMBLY**

The stainless steel front shelf comes assembled and is ready to attach to unit. Insert frame into bushings as shown.

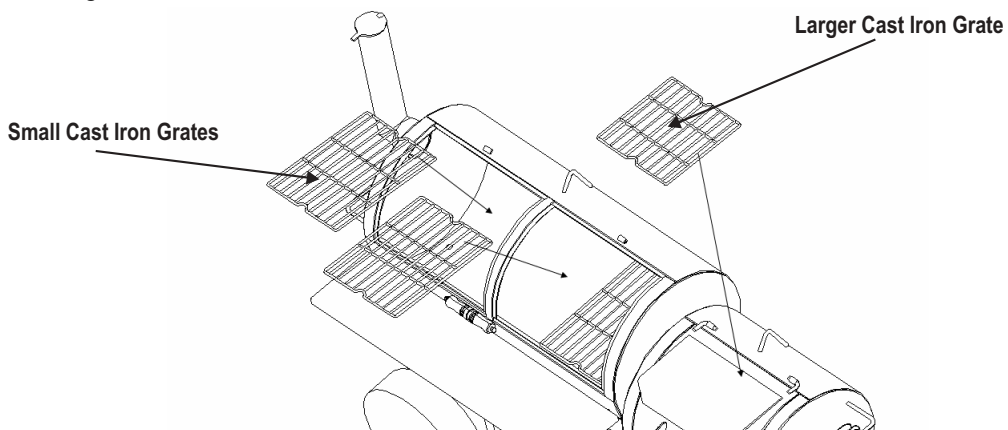


### STEP 3. SMOKE STACK ASSEMBLY

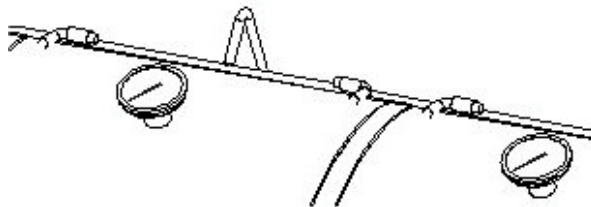
Attach smoke stack to end of smoke chamber by sliding stack into smoke stack receiver. Tighten 3/8" - 16 x 3/4" bolt in nut welded to smoke stack receiver to hold smoke stack in vertical position.



**STEP 4.** The charcoal grate that comes with *The Longhorn Deluxe* should be used in the firebox when smoking and in the cooking chamber if grilling. There are three small cast iron grates and one larger cast iron grate. These can be used in any configuration in the cooking chamber.



**STEP 5.** Install temperature gauges by placing the stem through the threaded bushing in each cooking chamber door. Thread and tighten until gauge text is in the desired position. Next, install the ash drawer under the firebox and slide the grease drawer into the opening on the left side of the cabinet.



**Your *Longhorn Deluxe* is now ready to use. Be sure to read the care & use section in this manual before using your smoker.**

# Preparing and using your *Longhorn Deluxe*

Before cooking with your *Longhorn Deluxe*, the following steps should be closely followed to both cure the finish and season the interior steel. Failure to properly follow these steps may damage the finish and/or impart metallic flavors to your first foods.

1. Brush all interior surfaces including grills and grates with vegetable oil.
2. Build a small fire on the fire grate, being sure not to lay coals against the walls.
3. Close lid, (Position butterfly and smokestack damper at approximately one quarter open). This burn should be sustained for at least two hours, the longer the better. Begin increasing temperature by opening the butterfly and smokestack damper half-way and adding more charcoal. Your *Longhorn Deluxe* is now ready for use.

Rust can appear on the inside of your grill. Maintaining a light coat of vegetable oil on interior surfaces will aid in the protection of your grill. Exterior surfaces of grill may need occasional touch up. We recommend the use of a commercially available black high temperature spray paint.

**NEVER PAINT INTERIOR OF UNIT !**

## GRILLING

Wood is recommended, however charcoal or a combination of both may be used as the fuel source for grilling, with the fuel source placed and ignited on the fire grates. Do not build too large of a fire. We recommend starting a fire with no more than 4 pounds of charcoal (approximately 60 briquets) and adding more as needed during cooking. After allowing the fire to burn down, place the cooking grills in the unit. Failure to read and follow instructions for lighting charcoal may result in serious personal injury and/or property damage.

## GRILL MAINTENANCE

Frequency of cleanup is determined by how much your grill is used. Make sure coals are completely extinguished before cleaning inside of unit. Inside surfaces may be cleaned with a strong solution of detergent and water applied with a scrub brush. Thoroughly rinse with water and allow to air dry before using again.

## SMOKIN' AND SLOW COOKING

If using your *Longhorn Deluxe* as a smoker or slow cooker, remove the cooking grill from the firebox and build your fire on top of the fire grate in the firebox. Either charcoal or wood may be used, but wood is the recommended fuel for it's rate of burn and the flavor that it imparts to the food being cooked. Most seasoned hardwoods are good for smoking such as Hickory, Mesquite, Pecan, Oak, and many other fruit woods. The firebox will accommodate most split fireplace size logs (16"). Bark should be avoided or burned off first as it contains a high acid content and imparts an acrid flavor.

After allowing the fire to burn down, close the doors and control the temperature and smoke with the dampers located on the firebox and atop the smokestack. Smoke is contained within the chambers, which will reduce burn while imparting more smoke flavor. Do not operate your *Longhorn Deluxe* with temperatures exceeding 350 degrees in the cooking chamber. Place the food in the cooking chamber and monitor the temperature. Cooking and smoking are taking place using indirect heat. There is no need to worry about a grease fire flare-up ruining the food. Do not place food within 6" of the opening from the firebox into the smoke chamber. A general rule of thumb for cooking is about 1 hour per pound for smoking large cuts of meat but refer to a good cookbook for specific cuts of meat. Limit the number of times you open the cooking chamber door as this will allow heat to escape and extend the cooking time.

## LIMITED WARRANTY

Manufacturer warrants to the original consumer-purchaser only that this product shall be free from defects in workmanship and materials after correct assembly and under normal and reasonable home use for the periods indicated below beginning on the date of purchase.

The manufacturer reserves the right to require that defective parts be returned, postage and or freight pre-paid, by the consumer, for review and examination.

### 90 Day LIMITED Warranty

Upon consumer supplying proof of purchase as provided herein, Manufacturer will repair or replace the parts listed below which are proven defective during the applicable warranty period. Parts required to complete such repair or replacement shall be free of charge to you except for shipping costs. **The original consumer-purchaser will be responsible for all shipping charges of parts replaced under the terms of this limited warranty.**

This limited warranty is applicable in the United States and Canada only, is only available to the original owner of the product and is not transferable. Manufacturer requires reasonable proof of your date of purchase. Therefore, you should retain your sales slip or invoice and register your new product immediately. Defective or missing parts subject to this limited warranty will not be replaced without registration or proof of purchase. Register online at [www.charbroil.com](http://www.charbroil.com) or complete and return via mail the Product Registration Card located on the last page of the Use & Care manual included with this product and retain your sales receipt for proof of purchase.

This limited warranty applies to the functionality of the product ONLY and does not cover cosmetic issues such as scratches, dents, corrosion or discoloring by heat, abrasive and chemical cleaners or any tools used in the assembly or installation of the appliance, surface rust, or the discoloration of stainless steel surfaces. The warranty for your grill covers manufacturing defects. Surface rust, corrosion, or powder paint chipping on metal parts that does not affect the structural integrity of the product is not considered a defect in workmanship or material and is not covered by this warranty.

This limited warranty will not reimburse you for the cost of any inconvenience, food, personal injury or property damage.

If an original replacement part is not available, a comparable replacement part will be sent. You will be responsible for all shipping charges of parts replaced under the terms of this limited warranty.

#### ITEMS MANUFACTURER WILL NOT PAY FOR:

1. Service calls to your home.
2. Repairs when your product is used for other than normal, single-family household or residential use.
3. Damage resulting from accident, alteration, misuse, abuse, fire, flood, acts of God, improper installation, installation not in accordance with electrical or plumbing codes, or use of products not approved by the manufacturer.
4. Any food loss due to product failures.
5. Replacement parts or repair labor costs for units operated outside the United States or Canada.
6. Pickup and delivery of your product.
7. Repairs to parts or systems resulting from unauthorized modifications made to the product.
8. The removal and/or reinstallation of your product.
9. Shipping cost, standard or expedited, for warranty and replacement parts.

#### DISCLAIMER OF IMPLIED WARRANTIES; LIMITATION OF REMEDIES

Repair or replacement of defective parts is your exclusive remedy under the terms of this limited warranty. Manufacturer will not be responsible for any consequential or incidental damages arising from the breach of either this limited warranty or any applicable implied warranty, or for failure or damage resulting from acts of God, improper care and maintenance, grease fire, accident, alteration, replacement of parts by anyone other than Manufacturer, misuse, transportation, commercial use, abuse, hostile environments (inclement weather, acts of nature, animal tampering), improper installation or installation not in accordance with local codes or printed manufacturer instructions.

THIS LIMITED WARRANTY IS THE SOLE EXPRESS WARRANTY GIVEN BY THE MANUFACTURER. NO PRODUCT PERFORMANCE SPECIFICATION OR DESCRIPTION WHEREVER APPEARING IS WARRANTED BY MANUFACTURER EXCEPT TO THE EXTENT SET FORTH IN THIS LIMITED WARRANTY. ANY IMPLIED WARRANTY PROTECTION ARISING UNDER THE LAWS OF ANY STATE, INCLUDING IMPLIED WARRANTY OF MERCHANTABILITY OR FITNESS FOR A PARTICULAR PURPOSE OR USE, IS HEREBY LIMITED IN DURATION TO THE DURATION OF THIS LIMITED WARRANTY.

**Neither dealers nor the retail establishment selling this product has any authority to make any additional warranties or to promise remedies in addition to or inconsistent with those stated above.**

Manufacturer's maximum liability, in any event, shall not exceed the documented purchase price of the product paid by the original consumer. **This warranty only applies to units purchased from an authorized retailer and or re-seller.**

NOTE: Some states do not allow an exclusion or limitation of incidental or consequential damages, so some of the above limitations or exclusions may not apply to you. This limited warranty gives you specific legal rights as set for herein. You may also have other rights which vary from state to state. In the state of California only, if refinishing or replacement of the product is not commercially practicable, the retailer selling this product or the Manufacturer will refund the purchase price paid for the product, less the amount directly attributable to use by the original consumer-purchaser prior to discovery of the nonconformity. In addition, in the state of California only, you may take the product to the retail establishment selling this product in order to obtain performance under this limited warranty.

**If you wish to obtain performance of any obligation under this limited warranty, you should write to:**

**Char-Broil Consumer Relations  
P. O. Box 1240  
Columbus, GA 31902-1240**

Consumer returns will not be accepted unless a valid Return Authorization is first acquired by calling 1-800-232-3398 and then clearly marked on the outside of the package and the package is shipped freight/postage pre-paid to the address above.

Certified Grill Parts And Accessories®, Char-Broil and Design®, Char-Broil (Gas Grill Briquettes)®, Char-Diamonds®, Cooking Zone and Design®, Diamond Flame®, Executive Chef®, Faststart®, Flare Fighter®, FlavorMaster®, Gas Grill Silhouette and Design®, H2O Smoker®, Lava Flame®, MasterFlame®, MasterFlame Precision Cooking System®, PowerSpark®, Quantum®, PrecisionFlame and Design®, Sierra® and TruFlame® are registered Trademarks of the W.C. Bradley Company. Thermos® is a registered trademark of the Thermos Company and its affiliates.

Artisan Collection by Char-Broil™, C3 and Design™, Char-Broil and Design™, Flame Design™, FlavorTents™, Grill 2 Go™, Grillin' Stick™, Keeper of the Flame™, Keepers of the Flame™, Natural Grip™, Outdoor Cooking Collection and Design™, Patio Bistro™, PrecisionFlame™, Pro-Check™, QuickSet Grills and Design™, SmokerTents™, The Big Easy™, The Minute Grill™, The Edge™, The Tuscan Collection™, and The Urban Grill™ are Trademarks of the W.C. Bradley Company. Universal Grill Parts and Design™ is a trademark of the Thermos Company and its affiliates.

Protected under one or more of the following U.S. Patents: 4,598,692; 4,624,240; 4,747,391; 4,747,391; 4,817,583; 4,924,846; 4,989,579; 5,003,960; 5,076,256; 5,076,257; 5,090,398; 5,109,834; 5,224,676; 5,277,106; 5,421,319; 5,441,226; 5,452,707; 5,458,309; 5,566,606; 5,579,755; 5,582,094; 5,613,486; 5,649,475; 5,706,797; 5,711,663; 5,765,543; 5,931,149; 5,996,573; 6,095,132; 6,135,104; 6,173,644; 6,279,566; 6,397,731; 6,418,923; 6,439,222; 6,523,461; D282,619; D339,714; D341,292; D343,337; D358,059; D361,466; D364,535; D372,637; D373,701; D377,735; D383,035; D397,910; D405,643; D405,643; D406,005; D406,009; D413,043; D413,229; D413,229; D414,982; D415,388; D416,164; D416,441; D417,587; D422,516; D423,274; D423,876; D428,303; D435,396; D463,004; D438,059; D438,060; D438,427; D439,110; D442,505; D443,179; D443,354; D447,384; D447,385; D447,909; D448,610; D448,614; D448,615; D448,616; D448,975; D449,492; D451,759; D456,202S; D460,313; D461,359 and D477,501. Canada: 87743; 87744; 92607; 92608 and 1,316,424. Other Patents Pending. ©2006 W. C. Bradley Co., All Rights Reserved.

# Please register your grill online at:

# WWW.GRILLREGISTRATION.COM

(If you register online, you do not need to send in this registration card.)

PLEASE FILL OUT THIS CARD AND RETURN IT *WITHIN 10 DAYS OF PURCHASE. FAILURE TO RETURN MAY AFFECT YOUR WARRANTY COVERAGE.*  
LLENE ESTA TARJETA Y DEVUÉLVALA DENTRO DE LOS 10 DÍAS DE LA COMPRA. *SI NO LA DEVUELVE, PUEDE VERSE AFECTADA SU COBERTURA DE GARANTÍA.*  
VEUILLEZ COMPLÉTER CETTE CARTE ET LA RETOURNER DANS LES 10 JOURS SUIVANT L'ACHAT.  
LA COUVERTURE DE VOTRE GARANTIE POURRAIT EN ÊTRE AFFECTÉE SI VOUS NE LE FAITES PAS.

**1** First Name/Nombre/Prénom \_\_\_\_\_ Initial/Inicial/Initiale \_\_\_\_\_ Last Name/Apellido/Nom de famille \_\_\_\_\_  
Address (number and street)/Dirección (número y calle)/Adresse (numéro et rue) \_\_\_\_\_ Apt Number/Nº de apart./Nº d'appt. \_\_\_\_\_  
City/Ciudad/Ville \_\_\_\_\_ State/Estado/Province \_\_\_\_\_ Zip Code/Código zip/Code postal \_\_\_\_\_

**2** E-mail Address/Dirección de correo electrónico/Adresse électronique \_\_\_\_\_  
*If you voluntarily provide us with your email address, you give us permission to use your email address to send you offers that may interest you.*  
*Si nos informa voluntariamente su dirección de correo electrónico, nos da permiso para usarlo a fin de enviarle ofertas que pueden interesarle.*  
*Si vous choisissez de nous fournir votre adresse électronique, vous nous donnez la permission de l'utiliser pour vous faire part d'offres spéciales susceptibles de vous intéresser.*

(Example: your name@your host.com) (Ejemplo: su nombre@su host.com) (Exemple : votre nom@votre hôte.com)

**3** Phone Number/Número telefónico/Numéro de téléphone \_\_\_\_\_

**6** Date of Purchase/Fecha de compra/Date de l'achat \_\_\_\_\_

**4** **IMPORTANT! ¡IMPORTANTE! IMPORTANT!**  
*Write Serial Number and Model Number in spaces below.*  
*Escriba en los espacios de abajo el número de serie y el número de modelo.*  
*Inscrivez le numéro de série et le numéro de modèle dans les espaces ci-dessous.*

**7** Store Name/Nombre de la tienda/Nom du magasin \_\_\_\_\_

**8** Purchase Price/Precio de compra/Prix d'achat  
\$ \_\_\_\_\_ .00

**5** Your Gender/Su sexo/Sexe: 1.  Male/Masculino/Masculin 2.  Female/Femenino/Féminin

**9** Which product are you registering?  
*¿Qué producto está registrando?*  
*Quel produit enregistrez-vous?*

- 1.  Gas Grill/Parrilla de gas/  
Gril au gaz
- 2.  Electric Grill/Parrilla eléctrica/  
Gril électrique
- 3.  Smoker/Ahumadora/Fumoir
- 4.  Charcoal Grill/Parrilla de carbón/  
Barbecue au charbon
- 5.  Charcoal Smoker/Ahumadora de  
carbón/Fumoir au charbon
- 6.  Outdoor Fireplace/Hogar para  
exteriores/Foyer extérieur
- 7.  Cooker/Fryer / Cocina/freidora /  
Cuisieur/Friteuse
- 8.  Other/Otro/Autre

**10** Which of these sources influenced your decision to buy this product? (check all that apply)  
*¿Cuál de estas fuentes influyó a su decisión de comprar este producto? (Marque todas las que correspondan)*

*Parmi les éléments ci-dessous, qu'est-ce qui a influencé votre décision d'acheter ce produit? (Cochez tous les éléments s'appliquant)*

- 1.  Magazine/newspaper advertisement / Propaganda en revista/periódico /  
Publicité dans un magazine ou dans un journal
- 2.  Television commercial/Comercial televisivo/Publicité à la télévision
- 3.  Grill was assembled/Parrilla ensamblada/Le gril était déjà assemblé
- 4.  In-store display/Exhibidor en la tienda/Promotion sur le lieu de vente
- 5.  Store circular/Circular de la tienda/Prospectus de magasin
- 6.  Brand name/Marca/ Marque
- 7.  Product style/Estilo del producto/Style du produit
- 8.  Price/value / Precio/valor / Rapport prix/valeur
- 9.  Product quality/Calidad del producto/Qualité du produit
- 10.  Friend/Relative recommendation / Recomendación de amigo o pariente /  
Recommandation d'un(e) ami(e)/parent(e)
- 11.  Salesperson recommendation/Recomendación del vendedor/  
Recommandation d'un(e) préposé(e) à la vente
- 12.  Grill size/Tamaño de la parrilla/Taille du gril
- 13.  Product warranty/Garantía del producto/Garantie du produit
- 14.  Store demonstration/Demonstración en la tienda/Démonstration en magasin
- 15.  Point of purchase/Punto de compra/Lieu de vente
- 16.  Other/Otras/Autre: \_\_\_\_\_

Mail to:  
Product Registration Dept.  
PO BOX 1240  
Columbus, Georgia 31902-1240

Thank you for completing this questionnaire. Your answers will help us and other companies reach you with offers that may interest you. If you prefer not to receive these offers, please check here .

Gracias por completar este cuestionario. Sus respuestas nos ayudarán, a nosotros y a otras compañías, a llegar a ustedes con ofertas que puedan resultarles de interés. Si prefiere no recibir estas ofertas, por favor marque aquí .

Merci d'avoir bien voulu remplir ce questionnaire. Vos réponses nous aideront et aideront d'autres compagnies à vous communiquer des offres spéciales susceptibles de vous intéresser. Si vous préférez ne pas recevoir d'informations concernant ces offres spéciales, veuillez cocher ici .



TOLL FREE 1.800.232.3398