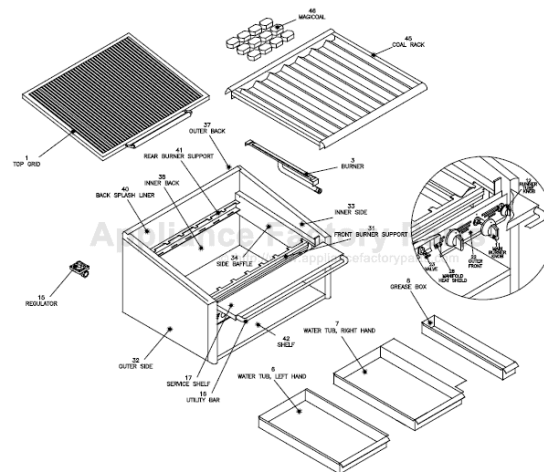


This Owner's Manual is provided and hosted by [Appliance Factory Parts](#).



MagiKitchn CM-SMB 600 SERIES Owner's Manual

[Shop genuine replacement parts for MagiKitchn
CM-SMB 600 SERIES](#)



[Find Your MagiKitchn Grill Parts - Select From 352 Models](#)

----- Manual continues below -----

MagiKitch'n

Model CM-RMB/SMB 600 Series Counter Radiant or Ceramic Coal Gas Charbroiler



Unit shown with optional lower rack

OPTIONS & ACCESSORIES (AT ADDITIONAL COST)

- Cooking Mode Conversion Kits
 - Ceramic Coal mode (from RMB to SMB)
 - SS Radiant mode (from SMB to RMB)
 - Cast Iron Radiants
- Round Rod Top Grid
 - Fish spacing
- MagiKrome Top Grids
 - Standard spacing Fish spacing
- Scround Rod Top Grids
 - Standard spacing Fish spacing
- 6" Cast Iron Top Grids (3 independent adjustable positions with reversible wide and thin marking)
 - Standard spacing Fish spacing
- Service Shelf with towel bar
 - Low profile 8" (20.3 cm)
 - 10" (25.4 cm) 12" (30.5 cm)
 - Supply shelf without towel bar
- Pan Cutouts in Service Shelf (specify with order)
- Divider for Pan cutouts
- Cutting Boards (10" or 12" shelves only)
- Fajita Rack Inserts
- MagiGriddle (Replaces top grid)
- Safety Pilot (supervised pilot system, see gas installation requirements)
- Quick Disconnect gas hose and lanyard kit
- Back Shelf
- Slip On Cover
- Side and Back Extensions (N/A with back shelf)
- 4" adjustable legs
- Lower Rack
- Smoker Box
- Equipment Stand

Project _____

Item No. _____

Quantity _____

APPLICATION

The Model CM-RMB/SMB 600 Series is a counter high production charbroiler for space saving installation on work tables, counter or on properly insulated refrigerated / freezer bases. Many options and accessories are available to tailor your charbroiler to match your menu selection and operational needs in the kitchen. This series is also available in a High Gas Output model for higher temperatures for heavy production restaurants.

MODELS

<input type="checkbox"/> CM-RMB-6xx-x (Radiant Model)	<input type="checkbox"/> CM-SMB-6xx-x (Ceramic Coal Model)
Model Size Width and Gas Btu Output Rate	
Standard Output **	(H) High Output
<input type="checkbox"/> 624 60Kbtu/hr	<input type="checkbox"/> 624-H 80Kbtu/hr
<input type="checkbox"/> 630 90Kbtu/hr	<input type="checkbox"/> 630-H 120Kbtu/hr
<input type="checkbox"/> 636 105Kbtu/hr	<input type="checkbox"/> 636-H 140Kbtu/hr
<input type="checkbox"/> 648 150Kbtu/hr	<input type="checkbox"/> 648-H 200Kbtu/hr
<input type="checkbox"/> 660 195Kbtu/hr	<input type="checkbox"/> 660-H 260Kbtu/hr
<input type="checkbox"/> 672 240Kbtu/hr	<input type="checkbox"/> 672-H 320Kbtu/hr

STANDARD FEATURES & ACCESSORIES

- **CM-RMB-600** - V-shaped radiant for each burner
- **CM-SMB-600** - Ceramic coal screen
- Free floating top grid ½" (1.3 cm) steel rods allows expansion and contraction without warping
- E-Z Tilt top grid drains grease into front trough
- Round top grid with standard spacing with quick lift handle
- Convertible Radiant design to Coal style
- Fully Insulated double walled outer cabinet
- Stainless steel on all four sides
- Water Tubs
- 6" (15.2 cm) stainless service shelf
- Towel bar for utensil storage
- Runner tube pilot system
- Individual front burner controls for precise regulation
- All stainless steel burners for long life
- Single ¾" gas connection
- Burners are 15Kbtu or optional High output 20Kbtu
- Top Grid Scraper

APPROVALS

- MEA Approved



Model CM-RMB/SMB 600 Series Counter Gas Charbroiler

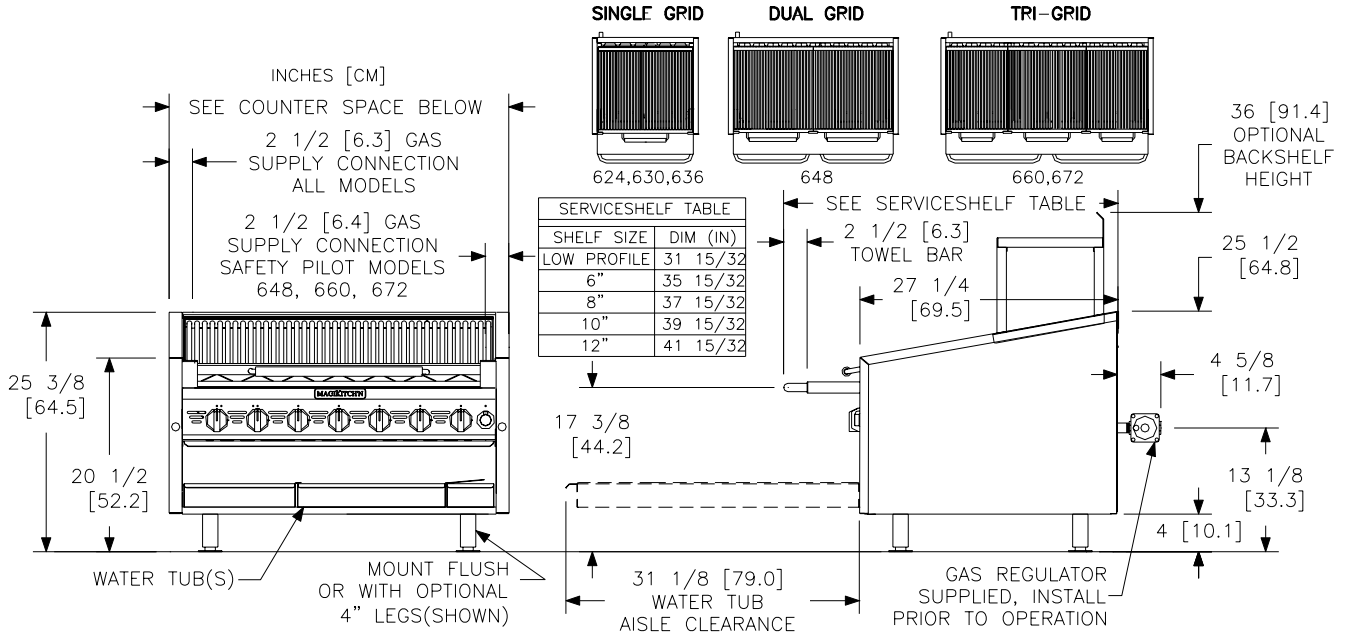
MagiKitch'n • P.O. Box 501, Concord, NH 03302-0501 • 509 Route 3A, Bow, NH 03304

603-225-6684 • FAX: 603-225-8497 • www.magikitch'n.com

L10-135 Rev 3 08/07 Printed in the USA



Model CM-RMB/SMB 600 Series Counter Gas Charbroiler



CM Size	624 / 624-H	630 / 630-H	636 / 636-H	648 / 648-H	660 / 660-H	672 / 672-H	
Gas BTU/HR	Standard Output (17.6 kW)	60,000Btu (17.6 kW)	90,000Btu (26.4 kW)	105,000Btu (30.8 kW)	150,000Btu (44.0 kW)	195,000Btu (57.2 kW)	240,000Btu (70 kW)
	(H) High Output (23.4 kW)	80,000Btu (23.4 kW)	120,000Btu (35.2 kW)	140,000Btu (41.0 kW)	200,000Btu (58.6 kW)	260,000Btu (76.2 kW)	320,000Btu (94.1kW)
Burners	4	6	7	10	13	16	
Cooking Area	513 in ² (3,314 cm ²)	662 in ² (4,271 cm ²)	810 in ² (5,233 cm ²)	1107 in ² (7,145 cm ²)	1404 in ² (9,063cm ²)	1704 in ² (11,001cm ²)	
Counter Space	24" x 35-1/2" (61 x 90 cm)	30" x 35-1/2" (76 x 90 cm)	36" x 35-1/2" (91 x 90 cm)	48 x 35-1/2" (122 x 90 cm)	60" x 35-1/2" (152 x 90 cm)	72" x 35-1/2" (183 x 90 cm)	
Crumb Trays	1	1	1	2	2	3	
Top Grids	Floating Steel	1 20 3/4 x 24 3/4" (52.7 x 62.9cm)	1 26 3/4 x 24 3/4" (67.9 x 62.9 cm)	1 32 3/4 x 24 3/4" (83.2 x 62.9 cm)	2 22 3/8 x 24 3/4" (56.8 x 62.9 cm)	1 20 3/4 x 24 3/4" (52.7 x 62.9 cm)	1 24 1/8 x 24 3/4" (61.3 x 62.9 cm)
	Cast Iron	3	4	5	7	9	11
	Floating Steel grids are standard as round rods with standard spacing, Optional are: MagiKrome Round Rods, Scround Rod with Standard spacing 5/16" (0.79cm) or Fish spacing 3/16" (0.48cm)						

Cast Iron grids are 6 1/4 x 22 5/8" (15.9 x 57.5cm), Reversible with Thick(1/4") and Thin(1/32") Marking. Cast Grids are available in Standard(13/16"), or Fish(11/16") spacing.

SHIPPING INFORMATION (Approximate)

Shipping Weight	210 lbs. (95.2 kg)	280 lbs. (127 kg)	350 lbs. (159 kg)	425 lbs. (193 kg)	565 lbs. (256 kg)	705 lbs. (320 kg)
Shipping Crate H x W x L	31 x 28 x 43 " (79x71x109 cm)	42 x 45 x 51 " (107 x114 x129 cm)	42 x 45 x 51 " (107 x114 x129 cm)	42 x 45 x 51 " (107 x114 x129 cm)	42 x 45 x 73 " (107 x114 x185 cm)	42 x 45 x 73 " (107 x114 x185 cm)
Shipping Cube	21.6 ft ³ (0.6m ³)	55.8 ft ³ (1.6m ³)	55.8 ft ³ (1.6m ³)	55.8 ft ³ (1.6m ³)	79.8 ft ³ (2.3m ³)	79.8 ft ³ (2.3m ³)

INSTALLATION INFORMATION

	GAS PRESSURE REQUIREMENTS		GAS CONNECTION REQUIREMENTS	
	Natural Gas	LP Gas	Models without Safety Pilots	Models with Safety Pilots
Supply Pressure*	7 - 10" W.C. (17.4 mbars/ 1.74 kPa)	11 - 13" W.C. (27.4 mbars/ 2.74 kPa)	(1) 3/4" Gas Regulator shipped unattached , (1) 3/4" NPT supply pipe connection	624, 630, 636 (1) 1/2" to 3/4" adaptor & (1) 3/4" Gas Regulator shipped unattached , (1) 1/2" NPT supply pipe
Burner Pressure	4" W.C. (10 mbars / 1 kPa)	10" W.C. (25 mbars / 2.4 kPa)		648, 660, 672 (2) 1/2" to 3/4" adaptor & (2) 3/4" Gas Regulator shipped unattached , (2) 1/2" NPT supply pipe
Gas Regulator MUST be installed to broiler gas supply prior to connecting gas line.				

* Check plumbing / gas codes for proper gas supply line sizing to sustain burner pressure when all gas appliances are full on.

CLEARANCES (Can Not Be Flush Mounted)

Front min	Floor min.	Combustible material		Non-Combustible material		Charbroiler Flue area
30" (76.2 cm)	4" (10.2 cm)	Sides min.	Rear min.	Sides min.	Rear min.	
		6" (15.2 cm)	8" (20.3 cm)	0"	8" (20.3 cm)	Do not block / restrict flue gases from flowing into hood or install vent hood drains over the flue.

SHORT FORM SPECIFICATION

Provide MagiKitch'n model CM- RMB 6xx radiant or CM-SMB 6xx ceramic coal low profile counter charbroiler. Unit shall be gas heated and shall cook by means of gas burners. Unit shall be double-walled stainless steel construction, and fully insulated on all sides. Provide with independent gas burners. Individual burner controls shall be mounted every 4 to 4-1/2 inches for flexible use. Convertible design allows operator to quickly change from radiant to coal style cooking with an optional conversion kit. Provide Options and Accessories as follows: