

This Owner's Manual is provided and hosted by [Appliance Factory Parts](#).



MagiKitchn LPAGA-30 Owner's Manual

[Shop genuine replacement parts for MagiKitchn
LPAGA-30](#)



[Find Your MagiKitchn Grill Parts - Select From 352 Models](#)

----- Manual continues below -----

MAGIKITCH'N[®]

MAGIKITCH'N[®]

MAGIKITCH'N[®]

MAGIKITCH'N[®]

MAGIKITCH'N[®]

MAGIKITCH'N[®]

MAGIKITCH'N[®]

MAGIKITCH'N[®]

MAGIKITCH'N[®]

MAGIKITCH'N[®]

MAGIKITCH'N[®]

MAGIKITCH'N[®]

**LPAGA/LPG & CG
OUTDOOR GRILL OPTIONS
INSTALLATION - OPERATION**



PITCO FRIALATOR INC.

www.PITCO.com

P.O. Box 501, Jct. I-89 & I-93 Concord, NH 03302-0501 • 509 Route 3A, Bow, NH 03304 USA
Telephone (800) 258-3708 • (603) 225-6684 • Fax: (603) 225-8497

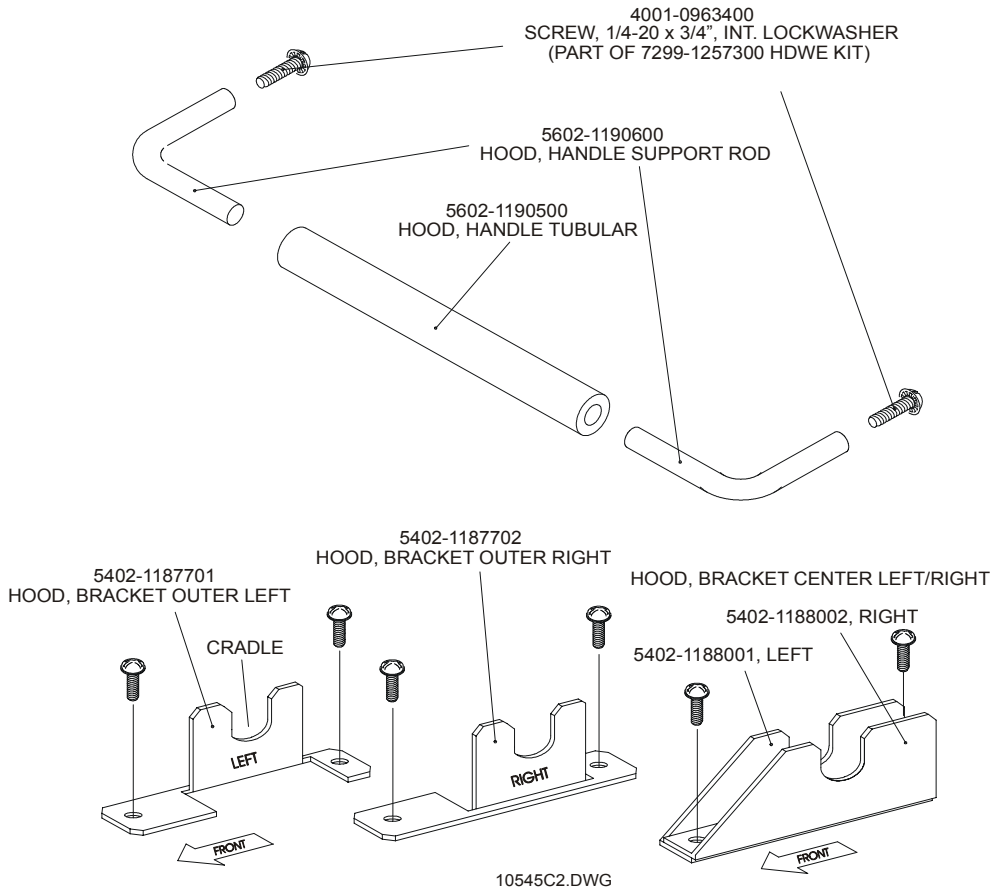
PN L25-007 Rev. 1 (12/01)

© 2001 - Pitco Frialator Incorporated

Table of Contents

1. Hood Handle and Hood Bracket Assembly	2
2. Twin Hoods for the LPAGA/LPG-60	3
3. Single Hood for the LPAGA/LPG-30	4
4. Single (Full size) Hood for the LPAGA/LPG-60	5
5. Full Hood for the CG-60	6
6. Steamer Support, Steamer Pan Set and MagiGriddle Options	7
7. The Windguard Option	8
8. Split Options for the LPAGA/LPG-30	9
9. Cutting Board for the LPAGA/LPG-30	10
10. Cutting Board for the LPAGA/LPG-60	11
11. Side Shelf for LPG-30/60 and the LPAGA-30/60	12

1. Hood Handle and Hood Bracket Assembly



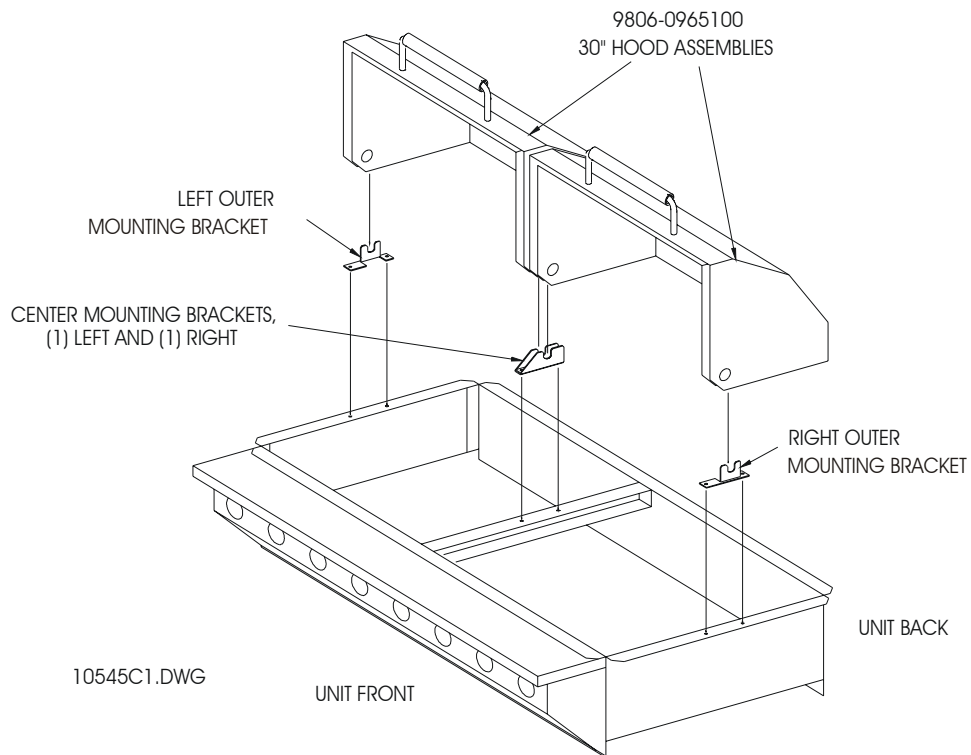
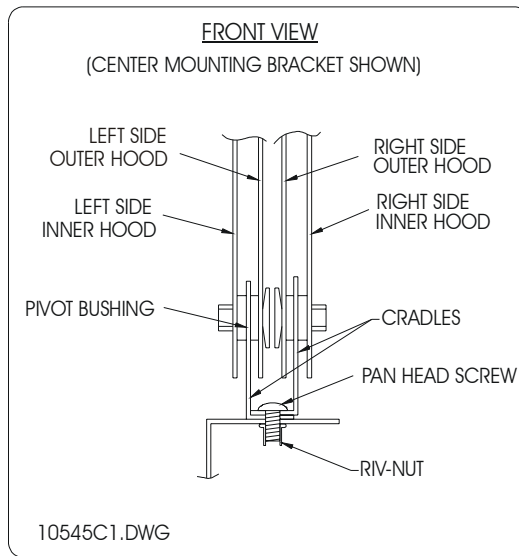
The Handles (top illustration)

Each handle has two support rods and a center tube. To assemble the handles more easily, open each hood up and turn it upside down on a large table. The $\frac{3}{4}$ " long bolts from the handle hardware kit go in from the inside of the hood and fasten to a support rod; point the support in the right direction and snug it up finger tight. Place the tubular handle onto the first support and slip the second support into place. Hold the second support in position and install the other $\frac{3}{4}$ " long bolt through the back of the hood and into the threaded hole in the second support and tighten it. Align the tubular handle and the support rods in a straight line and tighten the mounting bolts securely with a #3 Phillips screwdriver. Repeat this procedure for each of the handle sets to be installed. It is important to install all the handles for the hood so it can be easily removed if it is hot.

The Hood Mounting Brackets (bottom illustration)

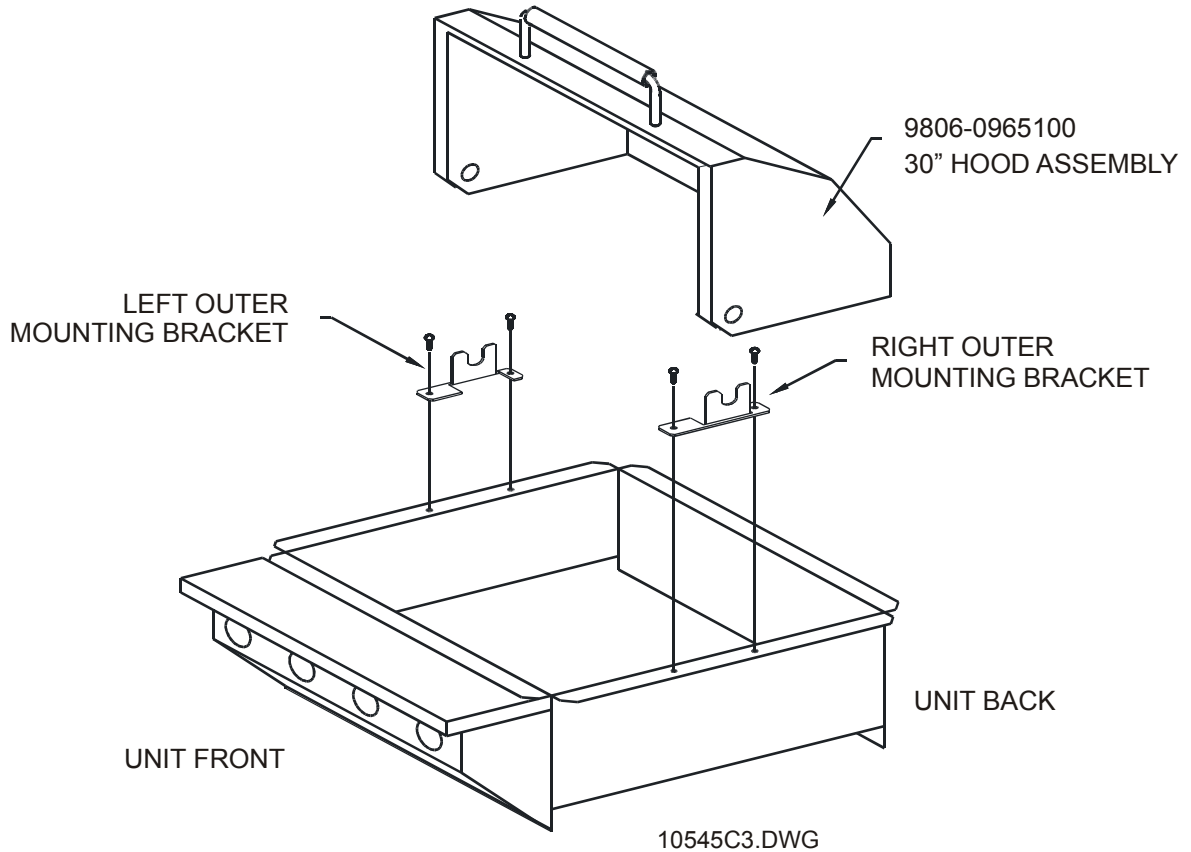
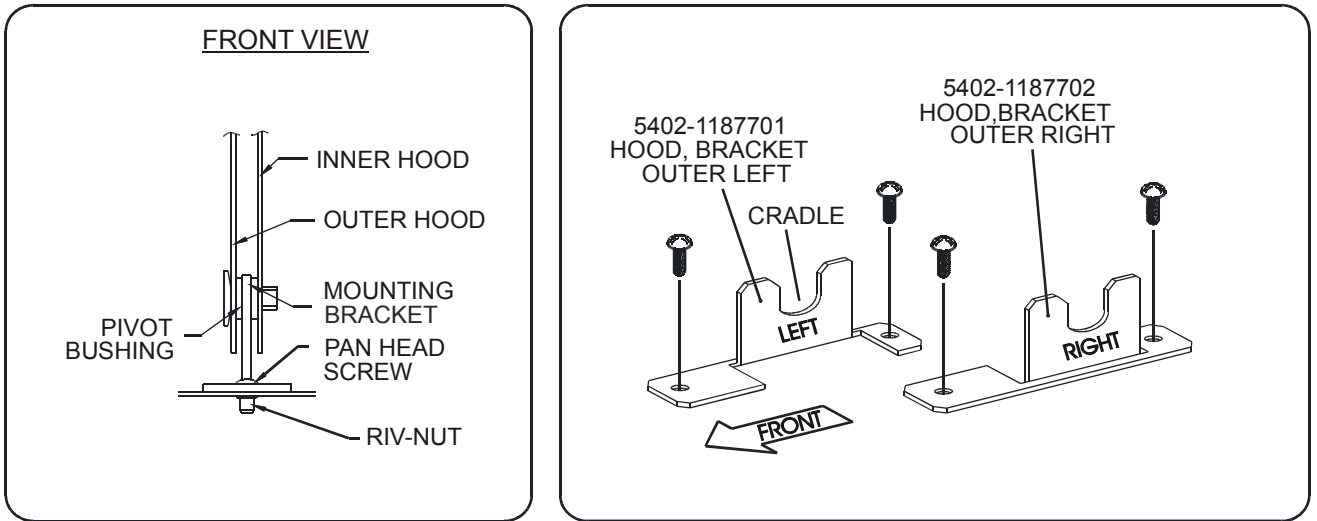
All single hoods require a pair of outer brackets. Units with twin hoods also require a pair of center brackets. Each type has a left and right hand mate. All the brackets mount with $\frac{3}{4}$ " long bolts that mate with threaded fasteners built into the frame of the broiler grills. The instructions and illustrations for every combination of hood option can be found in this manual.

2. Twin Hoods for the LPAGA/LPG-60



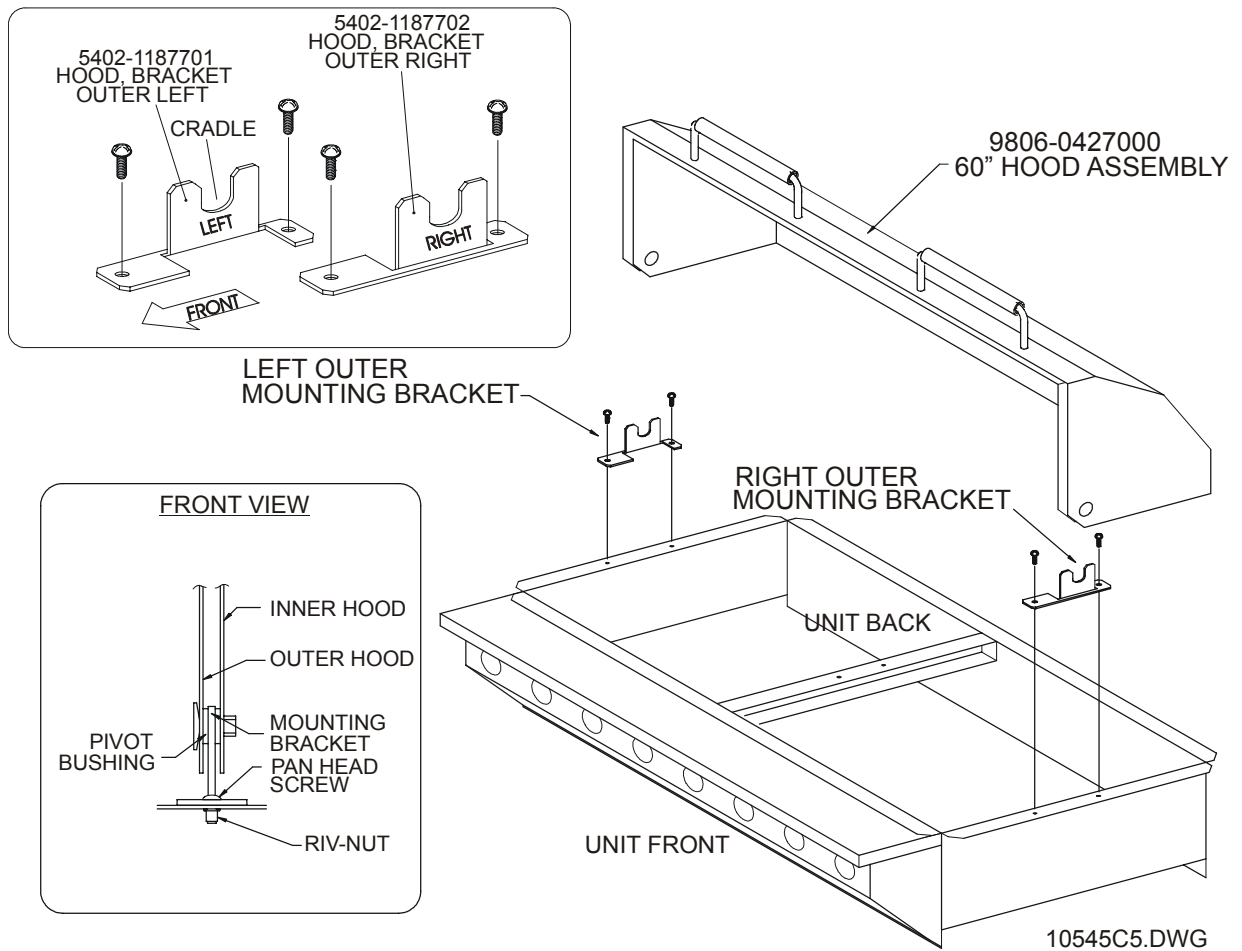
Mount a pair of outer and a pair of center hood brackets as shown above. Lift the hoods, one at a time, onto their brackets, making sure the pivot bushings sit in the bracket cradle on each side, as shown in the close-up illustration above.

3. Single Hood for the LPAGA/LPG-30



Mount a pair of outer hood brackets as shown. Lift the hood onto its brackets, making sure the pivot bushings sit in the bracket cradle on each side, as shown in the close-up illustration above.

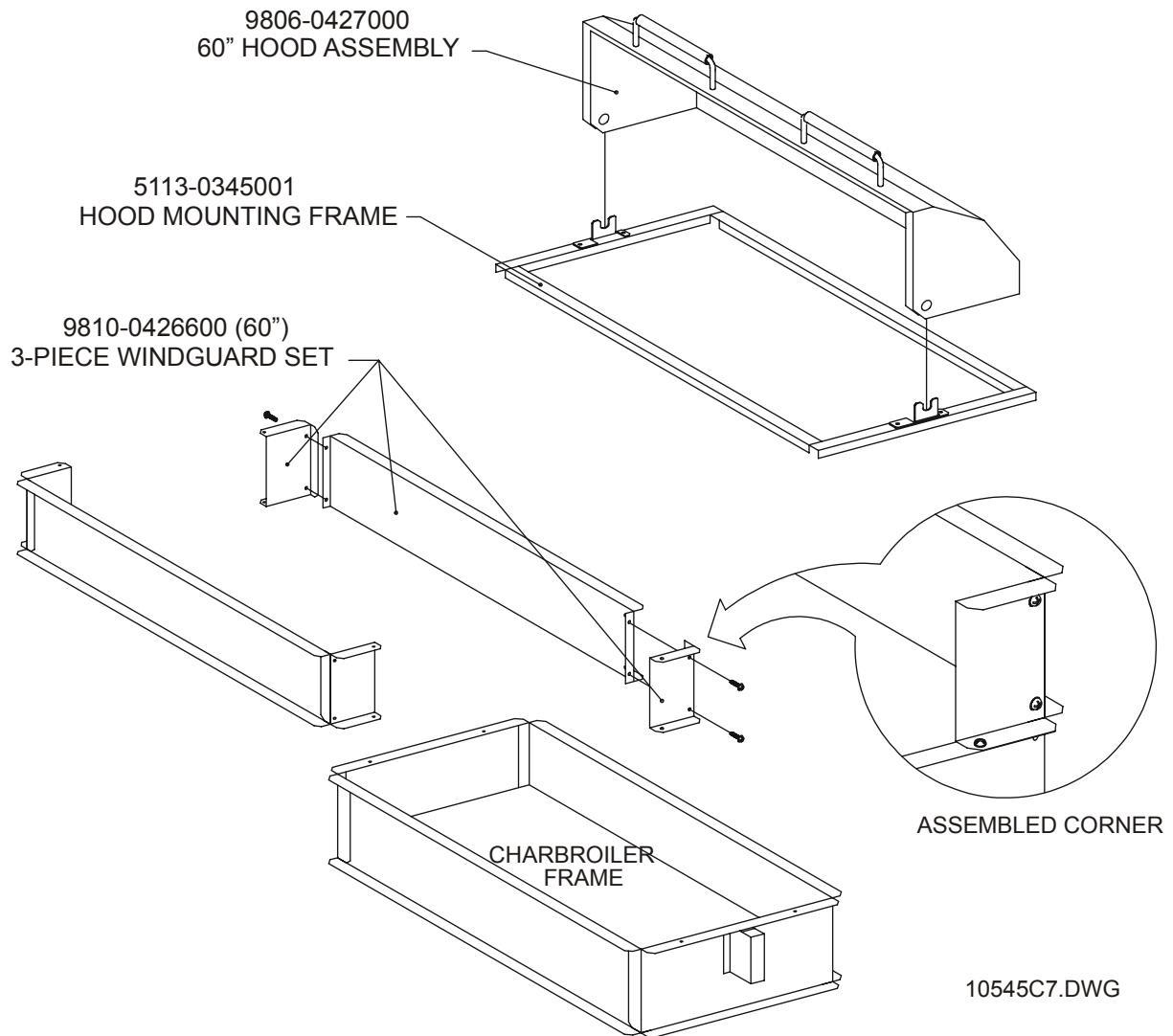
4. Single (Full size) Hood for the LPAGA/LPG-60



Mount a pair of outer hood brackets as shown. With a minimum of two persons, lift the hood onto its brackets, making sure the pivot bushings sit in the bracket cradle on each side, as shown in the close-up illustration above.

5. Full Hood for the CG-60

The CG-60 hood frame is designed only for use on the CG-60. It cannot be used on the CGL or LPAGA/LPG models.



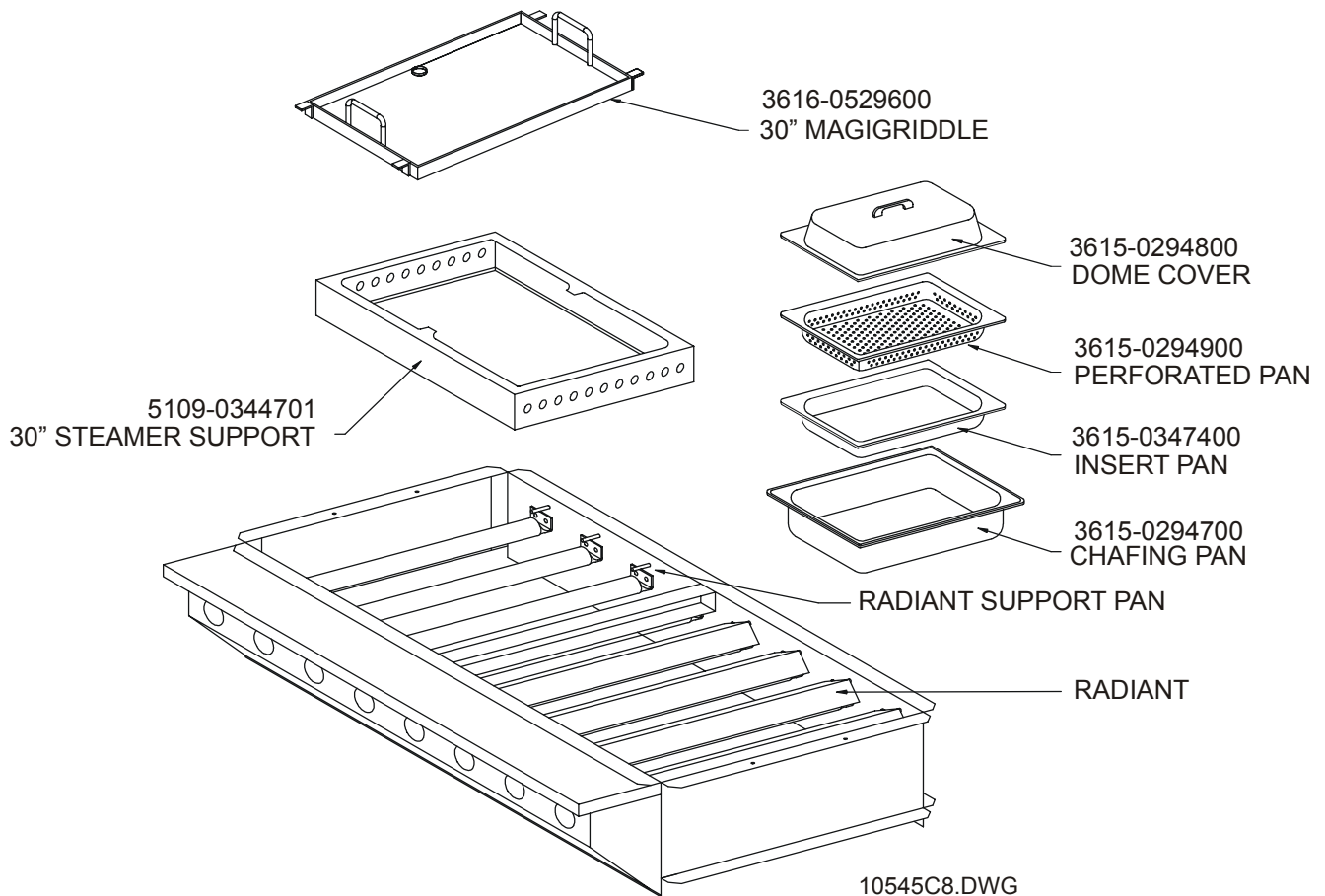
Step 1 The Windguard

Assemble the front and rear wind guards using the $\frac{1}{2}$ " long $\frac{1}{4}$ -20 screws and the acorn nuts from the hardware bag in the wind guard package. Mount the wind guards on the charbroiler frame using the $\frac{3}{4}$ " screws and the hex nuts, as illustrated in the close-up.

Step 2 The Hood

The hood mounting frame has hood brackets that are already welded in place. Place the frame over the installed front and rear wind guards and fit into place. With a minimum of two persons, lift the hood onto its brackets, making sure the pivot bushings sit in the bracket cradle on each side, as shown in a close-up illustration on a page above.

6. Steamer Support, Steamer Pan Set and MagiGriddle Options



Using the Steamer Support Option

Remove the cooking grid from the side of the charbroiler to be used for steamer cooking. Place the steamer support directly on the radiants. Sit the 4" deep water pans in the steamer support. Add water to the water pans and place either the perforated insert pans or the solid plain insert pans into place into the water pans for steam cooking or heating/warming of food. Check water levels in the water pans periodically when cooking with the steamer support option.

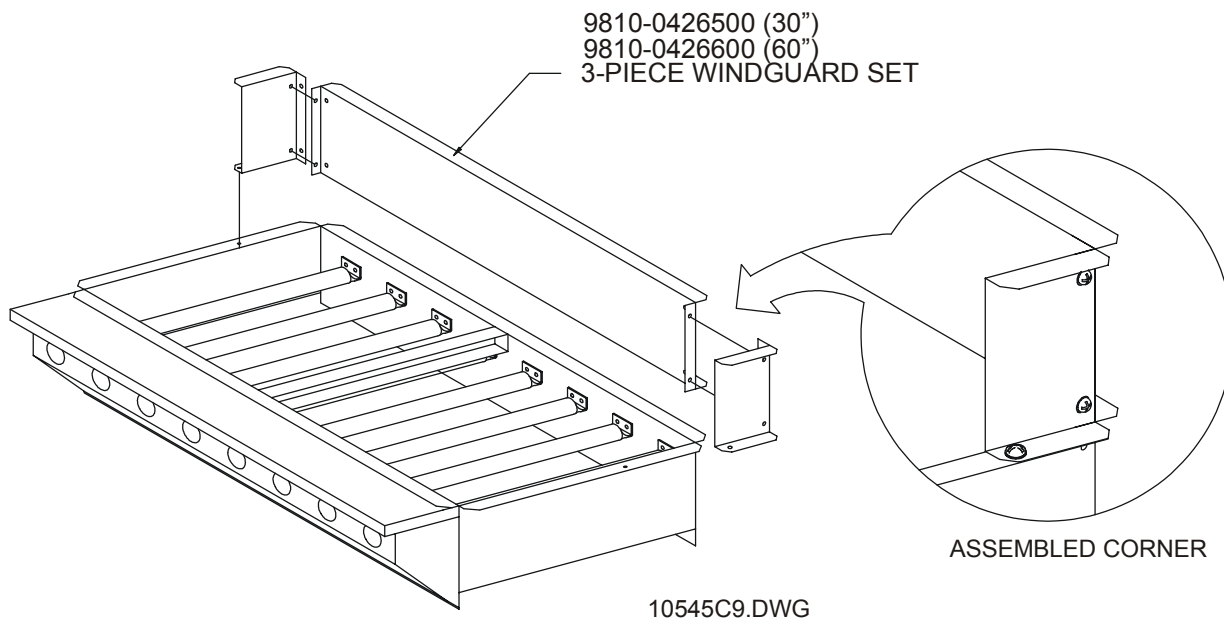
Note that:

- Only one steamer support option group can be used with an LPAGA/LPG-30 charbroiler.
- Two steamer support option groups can be used with an LPAGA/LPG-60 charbroiler, if desired.
- Never use a water pan with a depth exceeding 4 ½".
- Never use this option as a deep fryer.

Using the MagiGriddle Option

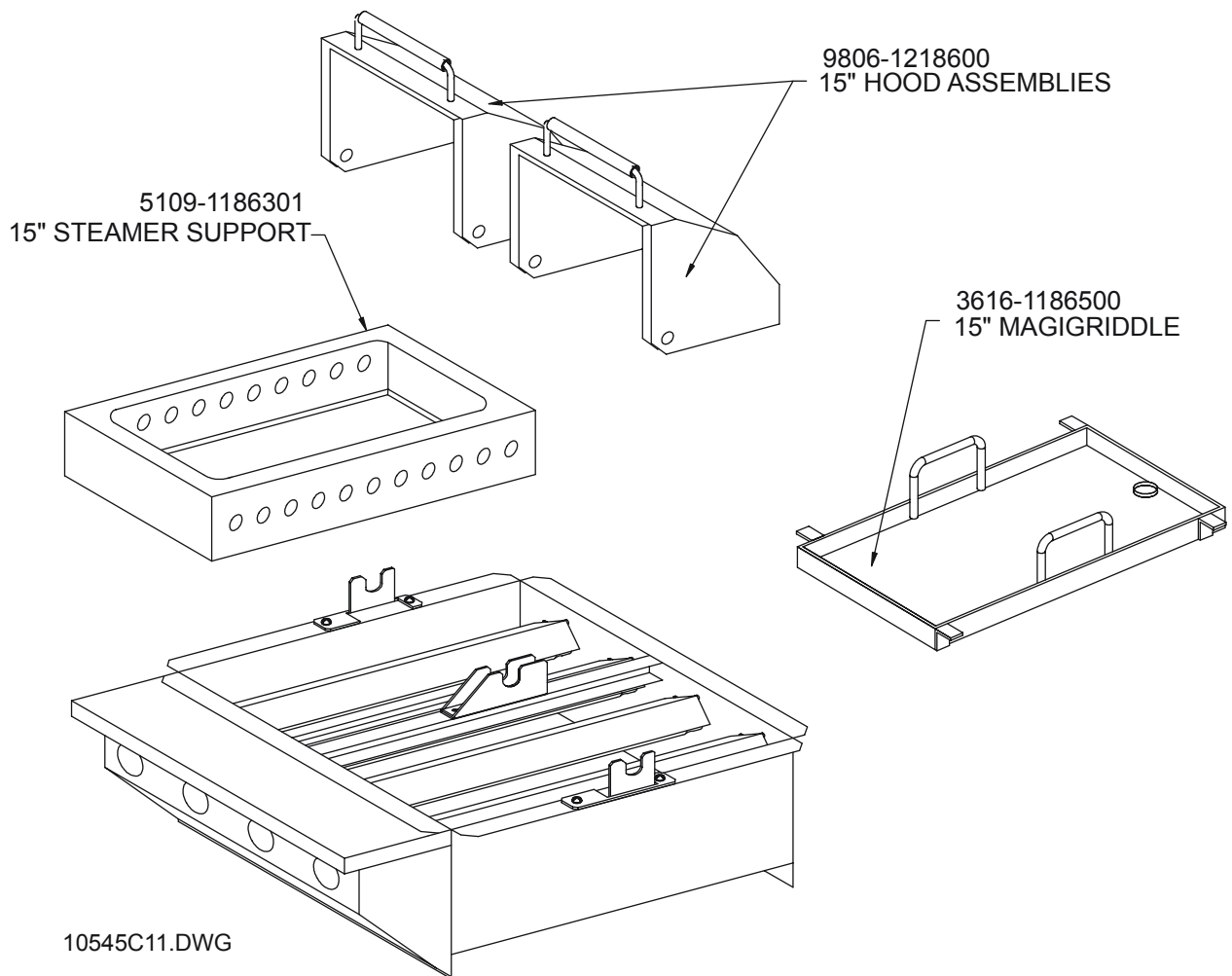
Remove the cooking grid from one side of the charbroiler and set the MagiGriddle on the radiants and position it fully forward against the front of the unit. The drain hole should be at the back. The space behind the griddle is for flue gases to escape. Season the griddle as you would a fine cast iron cooking skillet.

7. The Windguard Option



Assemble the Windguard ends to the back using the $\frac{1}{2}$ " long $\frac{1}{4}$ -20 screws and the acorn nuts from the hardware bag in the Windguard package. Mount the Windguard on the charcoal frame (either at the back or in the front) using the $\frac{3}{4}$ " screws and the hex nuts, as illustrated in the close-up.

8. Split Options for the LPAGA/LPG-30



Using the Steamer Support Option

Remove the cooking grid from the side of the charbroiler to be used for steamer cooking. Place the steamer support directly on the radiants. Sit the 4" deep water pans in the steamer support. Add water to the water pans and place either the perforated insert pans or the solid plain insert pans into place into the water pans for steam cooking or heating/warming of food. Check water levels in the water pans periodically when cooking with the steamer support option.

Note that:

- Two steamer support option groups can be used with an LPAGA/LPG-30 charbroiler, if desired.
- Never use a water pan with a depth exceeding 4 ½".
- Never use this option as a deep fryer.

Using the MagiGriddle Option

Remove the cooking grid from one side of the charbroiler and set the MagiGriddle on the radiants and position it fully forward against the front of the unit. The drain hole should be at the back. The space behind the griddle is for flue gases to escape. Season the griddle as you would a fine cast iron cooking skillet.

9. Cutting Board for the LPAGA/LPG-30

30" Richlite® Cutting Board Option Set for MagiCater, 9825-2000101.



Contents:

- (1) Left hand bracket, 5403-0989801
- (1) Right hand bracket, 5403-0989802
- (2) Screws, pan head Phillips, 1/4-20 x 3/4" long with captive internal tooth lockwasher, 4001-0963400
- (1) 30" Richlite® cutting board, 3906-1192200

Remove the original 1/2" long screws from the ends of the service shelf and use the 3/4" long screws supplied to install the cutting board brackets as shown here.



The cutting board lays inside the confines of the brackets in the front and the frame edge at the back.



10. Cutting Board for the LPAGA/LPG-60

60" Richlite® Cutting Board OptionSet for MagiCater, 9825-2000100.



Contents:

- (1) Left hand bracket, 5403-0989801
- (1) Right hand bracket, 5403-0989802
- (2) Screws, pan head Phillips, 1/4-20 x 3/4" long with captive internal tooth lockwasher, 4001-0963400
- (1) 60" Richlite® cutting board, 3906-1192100

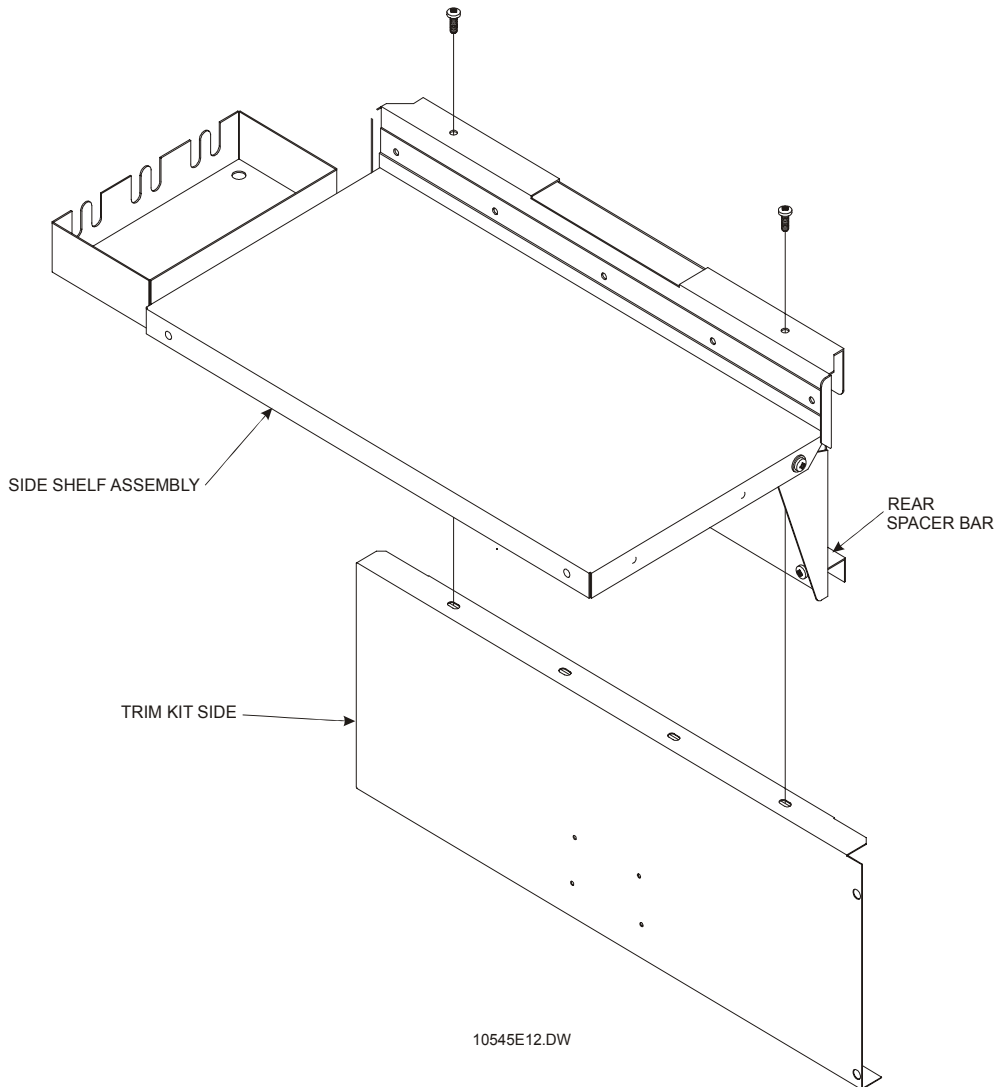
Remove the original 1/2" long screws from the ends of the service shelf and use the 3/4" long screws supplied to install the cutting board brackets as shown here.



The cutting board lays inside the confines of the brackets in the front and the frame edge at the back.



11. Side Shelf for LPG-30/60 and the LPAGA-30/60



LPG-30/60

Slide side shelf assembly onto the desired side of the unit, and install two ¼-20 screws through the shelf support and into the frame side. Note: side shelf comes assembled for right hand applications, for left side remove spice/utility rack and reinstall on the other side of the shelf.

LPAGA-30/60

Remove the three ¼-20 screws holding the Rear spacer bar to the shelf assembly, and discard the Rear spacer bar. Remove the top front and rear ¼-20 screws from the trim side on the desired side of application. Slide the side shelf assembly onto the unit, and reinstall the two ¼-20 screws previously removed from the trim side. Note: side shelf comes assembled for right hand applications, for left side remove spice/utility rack and reinstall on the other side of the shelf.

In the event of problems with or questions about your order, please contact the Pitco Frialator factory, from 8:00 a.m. - 5:00 P.M., Eastern Standard Time, Monday through Friday, toll-free at:

(800)258-3708 US and Canada only or
(603)225-6684 World Wide

In the event of problems with or questions about your equipment, please contact the Pitco Frialator Authorized Service and Parts representative (ASAP) covering you area, through the National Service Network at:

(800)298-1862 US only, 24 hours