

This Owner's Manual is provided and hosted by [Appliance Factory Parts](#).



# MagiKitchn CG60 Owner's Manual

[Shop genuine replacement parts for MagiKitchn CG60](#)



[Find Your MagiKitchn Grill Parts - Select From 352 Models](#)

----- Manual continues below -----



By **MagiKitch'n**

P.O. Box 501  
Concord, NH 03302-501  
509 Route 3A  
Bow, NH 03304  
Phone: 603-225-6684  
Toll Free: 800-258-3708  
Fax: 603-225-8497  
www.magikitchn.com

Use and Care Instructions  
for  
Model #CG-60 and CGL-60 Outdoor Charcoal Grill

RETAIN THIS MANUAL FOR FUTURE REFERENCE

FOR YOUR SAFETY

- \* Do not store gasoline or other flammable vapors or liquids in the vicinity of this appliance.
- \* Keep area around appliances free and clear from combustibles
- \* For installation in non-combustible locations only
- \* **WARNING:** Exterior surfaces of unit may become hot enough to cause serious burns. DO NOT touch without proper protection.

# CG - 60

## OUTDOOR CHARCOAL GRILL

### USE AND CARE INSTRUCTIONS

The CG outdoor charcoal grill is designed for simple and efficient transportation, set up, and operation. After unpacking your unit, assemble the unit as follows:

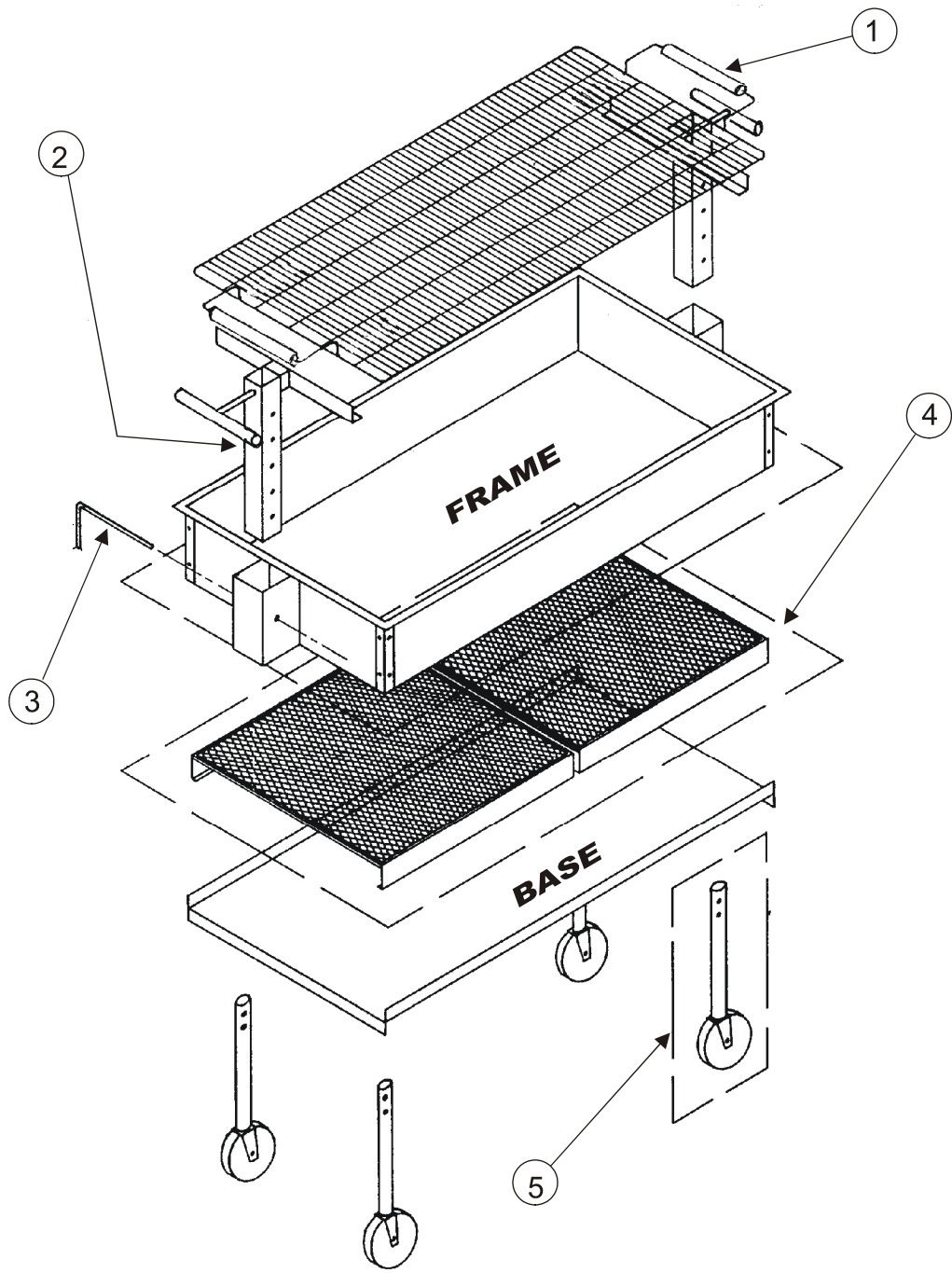
#### **ASSEMBLY**

3. Unwrap and remove the four leg/caster assemblies (5). Lift off the frame assembly and coal screens (optional) and set aside.
4. Turn the base upside down. To install the leg/caster assemblies insert each leg/caster assembly (5) into a leg socket on the base and depress the “snap button” on the leg. The leg will slide into the socket and will lock into the correct location.
5. Flip base with the leg/caster assemblies over into the upright position. Place the frame assembly onto the base with the ends of the frame overlapping the ends of the base.
6. Place coal screen(s), (optional) inside the base .
7. Place the cooking grid (1) onto the grid supports (2). Adjust to the desired height and push the locking pin (3) in the appropriate hole in the grid support.

#### **OPERATION**

Pile charcoal sufficiently high to provide a single layer when spread evenly and light. Replace the cooking grid and adjust to the desired height by sliding the top grid on/off the unit ( a second person is recommended if the top grid is full of product). The charcoal will require from 15 to 20 minutes to heat evenly depending on the dryness of the charcoal and weather conditions.

**WARNING: NEVER ATTEMPT TO HANDLE UNIT UNLESS UNIT IS COMPLETELY COOL. NEVER HOSE DOWN THE UNIT WHEN HOT, AS THIS MAY CAUSE POSSIBLE DANGEROUS SPATTERING, WARPING IN THE METAL, AND MAY BREAK THE WELDS.**



## CG-60 Exploded View

## CG - 60 PARTS LIST

ITEM #	ITEM	QTY/UNIT	MAGIKITCH'N PART #
1.	GRID (CG 60)	1	5125-1516001
2.	GRID SUPPORT	2	5104-1057501
3	PIN	2	4008-1037700
4.	COAL SCREEN	2/1	5108-0200801
5.	LEG ASSEMBLY, 6"	4	5207-1175100-C

# **CGL - 60**

## **OUTDOOR CHARCOAL GRILL**

### **USE AND CARE INSTRUCTIONS**

The CGL outdoor charcoal grill is designed for simple and efficient transportation, set up, and operation. After unpacking your unit, assemble the unit as follows:

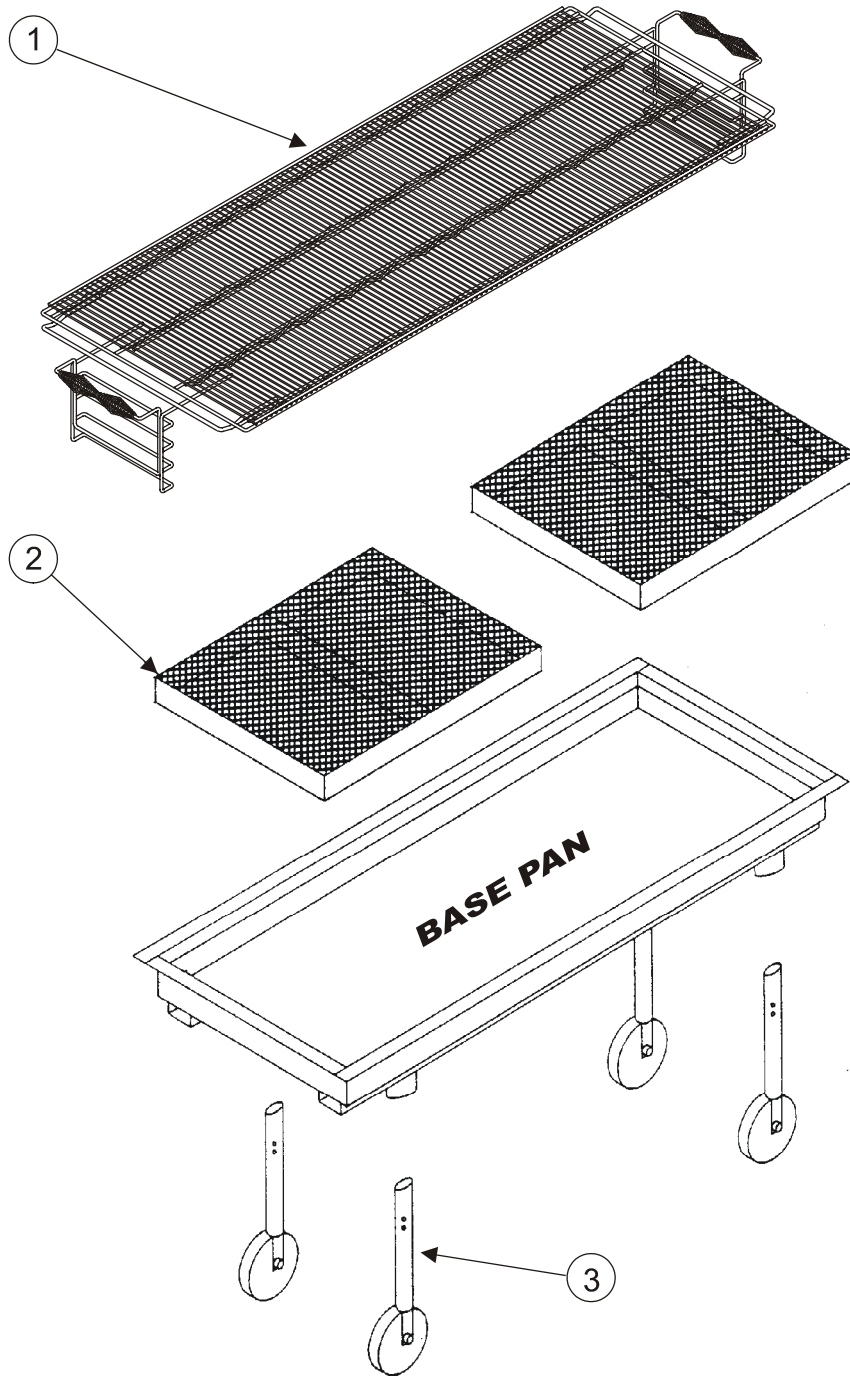
#### **ASSEMBLY**

1. Unwrap and remove the four leg/caster assemblies (5). Remove coal screens (7) (optional) and set aside.
2. Turn the base pan (4) upside down. To install the leg/caster assemblies insert leg/caster assembly (5) into the leg socket on base pan (4) and depress “snap button” on leg. The leg will slide into the socket and will lock into the correct location.
3. Flip base pan with leg/caster assemblies over into the upright position.
4. Place coal screen(s), (7) (optional) inside the base pan (4).

#### **OPERATION**

Pile charcoal sufficiently high to provide a single layer when spread evenly and light. Replace the cooking grid and adjust to the desired height by sliding the top grid on/off the unit ( a second person is recommended if the top grid is full of product). The charcoal will require from 15 to 20 minutes to heat evenly depending on the dryness of the charcoal and weather conditions.

**WARNING: NEVER ATTEMPT TO HANDLE UNIT UNLESS UNIT IS COMPLETELY COOL. NEVER HOSE DOWN THE UNIT WHEN HOT, AS THIS MAY CAUSE POSSIBLE DANGEROUS SPATTERING, WARPING IN THE METAL, AND MAY BREAK THE WELDS.**



## CGL-60 Exploded View

## CGL - 60 PARTS LIST

ITEM #	ITEM	QTY/UNIT	MAGIKITCH'N PART #
1.	GRID Assembly (CGL - 60)	1	5125-1514801
2.	LEG ASSEMBLY, 6"	4	5207-1175100-C
3.	COAL SCREEN (OPTIONAL)	2	5108-0918701

# WARRANTY

MagiKitch'n appliances are designed to give you long and satisfactory service if installed and operated in accordance with our instructions. This machine has been carefully tested, but in spite of such tests, there may be, in vary rare cases, a defect not immediately noticeable. In such cases, the defect would become apparent within a few weeks of operation. To protect you, we warrant this appliance against defective workmanship and material for 1 year. See warranty statement for specific details.

## **NOT WARRANTED:**

- \* Accident to, misuse of harsh chemical cleaners or natural wear of this appliance.

## **IMPORTANT:**

- \* **DO NOT** destroy any defective part ---- **IT MUST BE RETURNED FOR REPLACEMENT** under this warranty.

When writing, be sure to mention Serial Number and Model Number appearing on the nameplate on the front of your equipment.

CALL TOLL FREE  
800-258-3708

***MagiCater***

MAGIKITCH'N INC  
509 Route 3A  
Bow, NH 03304  
603-225-6684  
FAX: 603-225-8497  
[www.magikitchn.com](http://www.magikitchn.com)