



CENTRO 2900S

Assembly Manual

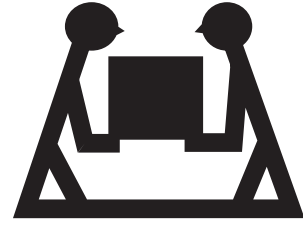
85-3006-8 (G41204) Propane
85-3007-6 (G41205) Natural Gas

LIMITED 3-YEAR WARRANTY

Read and save manual for future reference.

**Assemble your grill immediately.
Missing or damaged parts should be
claimed within 30 days of purchase.**

**For product inquiries, parts, warranty and troubleshooting support,
please call 1-877-707-5463.**



HEAVY ARTICLE NEEDS 2 TO LIFT

THIS MANUAL MUST REMAIN WITH THE PRODUCT AT ALL TIMES

To ORDER non-warranty replacement parts or accessories, or to register your warranty, please visit us on the web at www.centrobbqs.com.

CAUTION

Sharp edges. Wear gloves when assembling your grill.

CAUTION

Read and follow all safety statements, assembly instructions, and use and care directions before attempting to assemble and cook.

INSTALLER OR ASSEMBLER/CONSUMER

This manual should be kept with the BBQ at all times.

WARNING

Failure to follow all of the Manufacturer's instructions could result in hazardous fires, explosions, property damage, or serious personal injury or even death.

Follow all leak check procedures carefully prior to operation of barbecue, even if grill was dealer assembled. Do not try to light this barbecue without reading the Lighting Instructions section of this manual.

DANGER

1. If you smell Gas:
 - a. Shut off gas to the appliance
 - b. Extinguish any open flame
 - c. Open lid
 - d. If odor continues, keep away from the appliance and immediately call your gas supplier or your fire department
2. Do not store or use gasoline or other flammable vapours and liquids in the vicinity of this or any other appliance.
3. An LP cylinder not connected for use shall not be stored in the vicinity of this or any other appliance.
4. Requires two people to complete the assembly process.
5. Beware of sharp edges.

THIS BARBECUE IS FOR OUTDOOR USE ONLY

CONTACT CALL CENTRE IF ANY PARTS ARE MISSING

1-877-707-5463

HARDWARE PACK

TOOLS NEEDED FOR ASSEMBLY

- #2 Phillips screwdriver (long and short)
- ¼" Slotted screwdriver (long and short)
- Adjustable wrench
- Pliers

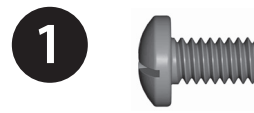
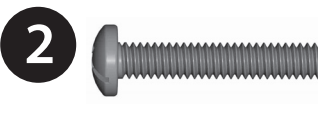
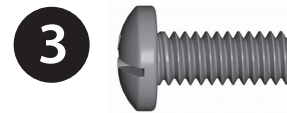


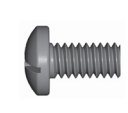

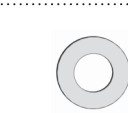
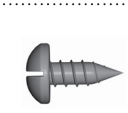
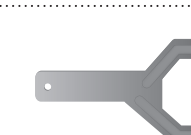
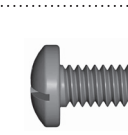
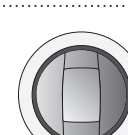

Before assembling the barbecue, read these instructions carefully.

Assemble the barbecue on a flat, clean surface. Grill is heavy. You should have at least two people assemble the barbecue together.

Notes: Do not fully tighten all the nuts during this initial stage.

No.	Description	Part Number	Quantity
1	¼"-20UNCX13 Screw	20120-13013-250	6
2	¼"-20UNCX38 Screw	20120-13038-250	4
3	¼"-20UNCX16 Screw	20120-13016-250	4
4	ø7 Lock Washer	41400-07000-250	14
5	ø7 Washer	40300-07000-250	14
6	NO.10-24UNCx10 Screw	20124-10010-250	20
7	ø5 Lock Washer	41400-05000-250	24
8	ø5 Washer	40300-05000-250	24
9	ST4.2x10 Tapping Screw	22500-42010-137	2
10	Wrench	G413-0032-9082	1
11	NO.10-24UNCx13 Screw	20124-10013-250	4
12	Control Knob	G412-4500-9000	1
13	Wing Nut	33301-04000-032	1

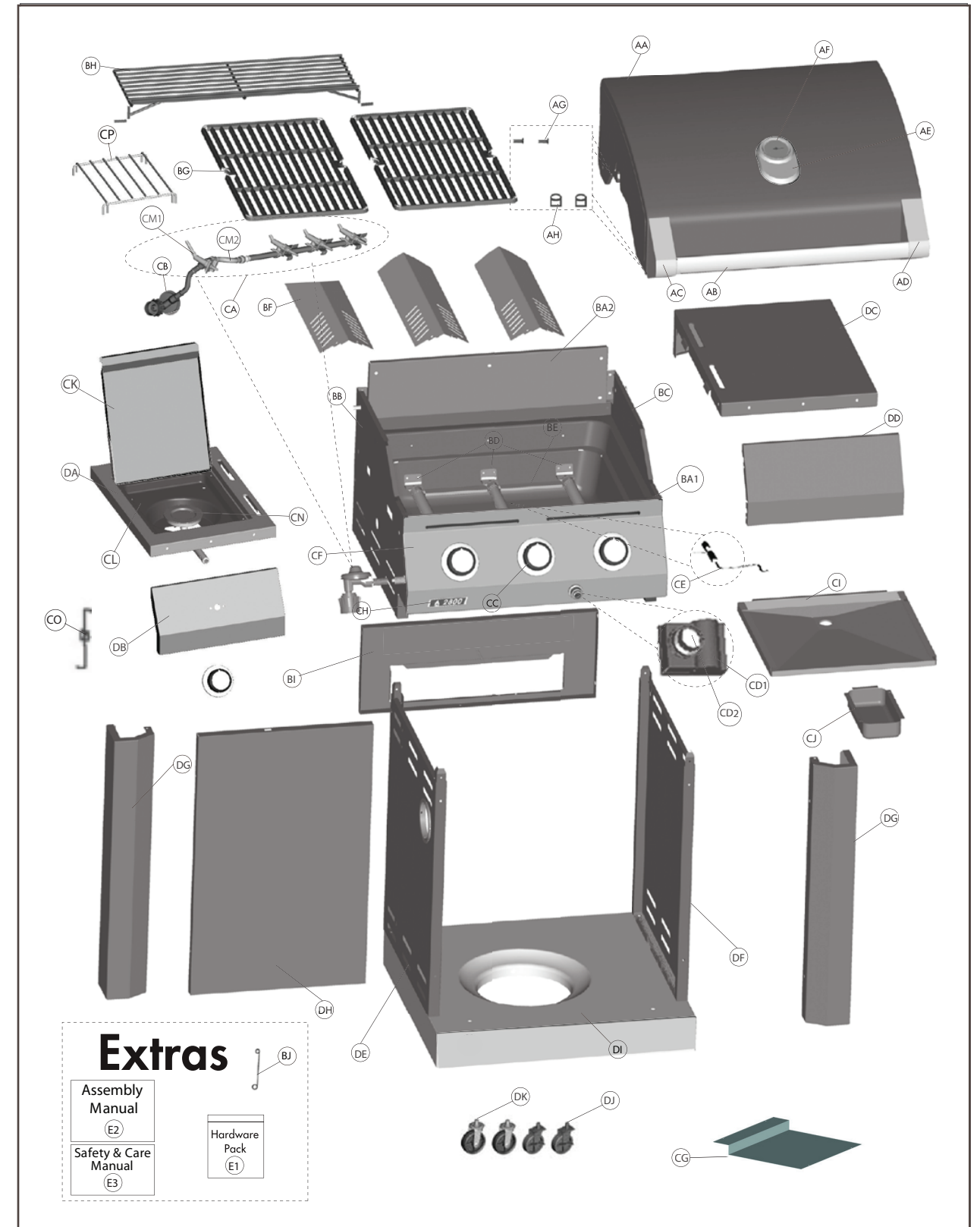
Caution: Sheet metal can cause injury. Wear gloves when installing the grill.

 <p>1 ¼" - 20UNCX13 Screw X 6</p>	 <p>2 ¼" - 20UNCX38 Screw X 4</p>	 <p>3 ¼" - 20UNCX16 Screw X 4</p>
 <p>4 ø7 Lock Washer X 14</p>	 <p>5 ø7 Washer X 14</p>	 <p>6 NO. 10-24UNC10 Screw X 20</p>
 <p>7 ø5 Lock Washer X 24</p>	 <p>8 ø5 Washer X 24</p>	 <p>9 ST4.2x10 Tapping Screw X 2</p>
 <p>10 Wrench X 1</p>	 <p>11 NO. 10-24UNCx13 Screw X 4</p>	 <p>12 Knob X 1</p>
 <p>13 Wing Nut X 1</p>		

PARTS LIST (PROPANE) FOR 85-3006-8 (G41204)

Item No.	Quantity	Description	Part No.
AA	1	Top Lid	G412-1400-01
AB	1	Lid Handle	G412-0004-01
AC	1	Lid Handle End Cap-Left	G617-0004-01
AD	1	Lid handle End Cap-Right	G617-0005-01
AE	1	Logo Plate	G412-0001-01
AF	1	Thermometer	G412-0003-01
AG	2	Screw for Top Lid	G501-0005-01
AH	2	Lid Bumper	G508-0063-01
BA1	1	Burner Box Weldment	G412-0200-01
BA2	1	Rear Panel, Burner Box	G416-0013-01
BB	1	Upper Side Panel- Left	G412-1600-01
BC	1	Upper Side Panel- Right	G412-1500-01
BD	3	Main Burner	G413-5000-01
BE	2	Carryover Assembly	G413-0004-01
BF	3	Flame Tamer	G413-0036-01
BG	2	Cooking Grate	G412-0028-01
BH	1	Warming Rack	G413-0002-01
BI	1	Upper Back Panel	G412-0026-01
BJ	1	Match Holder	G608-0019-01
CA	1	Manifold Assembly	G412-4300-01
CB	1	Regulator- 22"	G606-0008-01
CC	3	Control Knobs	G412-4500-01
CD1	1	Electronic Igniter Assembly	G501-0072-02
CD2	1	Electronic Ignition Button	G501-0072-01
CE	1	Electrode Set, Main Burner	G412-0009-01
CF	1	Control Panel	G412-0005-01
CG	1	Heat Shield	G412-0017-01
CH	1	Series Logo	G412-0027-01
CI	1	Grease Tray	G412-1000-01
CJ	1	Grease Cup	G416-0015-01
CK	1	Side Burner Lid	G501-00N1-01
CL	1	Side Burner Drip Pan	G617-0035-01
CM1	1	Side Burner Valve	G512-0034-01
CM2	1	Side Burner Metal Hose	G608-0039-01
CN	1	Side Burner	G433-1400-01
CO	1	Side Burner Electrode Set	G433-0047-01
CP	1	Side Burner Cooking Grate	G501-0077-01
DA	1	Side Burner Shelf Table- Left	G501-K100-01
DB	1	Side Burner Shelf Fascia- Left	G412-0031-01
DC	1	Side Shelf Table- Right	G501-J100-01
DD	1	Side Shelf Fascia-Right	G412-0019-01
DE	1	Cart Side Panel-Left	G412-1200-01
DF	1	Cart Side Panel, Right	G412-1300-01
DG	2	Pillars	G412-0025-01
DH	1	Front Panel	G412-0018-01
DI	1	Bottom Shelf	G412-0700-02
DJ	2	Wheel with Lock	G401-0061-01
DK	2	Wheel	G607-0048-01
E1	1	Hardware Pack	G412-B004-01
E2	1	Assembly Manual	G412-M004-01
E3	1	Safety & Care Manual	G412-M004-02

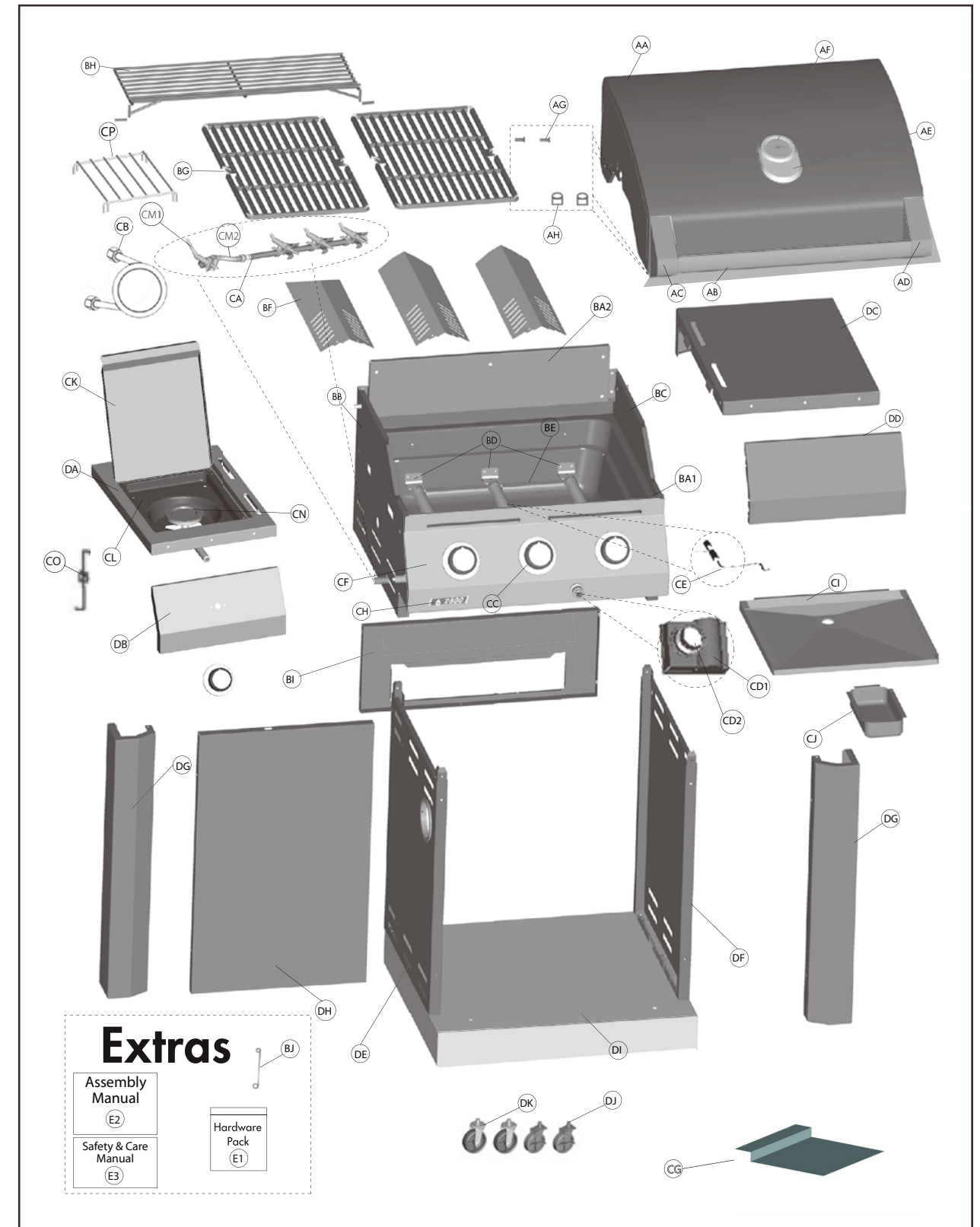
EXPLODED DIAGRAM (PROPANE) FOR 85-3006-8 (G41204)



PARTS LIST (NATURAL GAS) FOR 85-3007-6 (G41205)

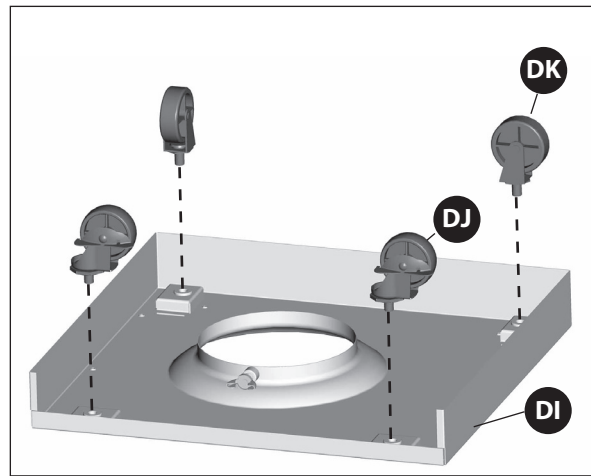
Item No.	Quantity	Description	Part No.
AA	1	Top Lid	G412-1400-01
AB	1	Lid Handle	G412-0004-01
AC	1	Lid Handle End Cap-Left	G617-0004-01
AD	1	Lid handle End Cap-Right	G617-0005-01
AE	1	Logo Plate	G412-0001-01
AF	1	Thermometer	G412-0003-01
AG	2	Screw for Top Lid	G501-0005-01
AH	2	Lid Bumper	G508-0063-01
BA1	1	Burner Box Weldment	G412-0200-01
BA2	1	Rear Panel, Burner Box	G416-0013-01
BB	1	Upper Side Panel- Left	G412-1600-01
BC	1	Upper Side Panel- Right	G412-1500-01
BD	3	Main Burner	G413-5000-01
BE	2	Carryover Assembly	G413-0004-01
BF	3	Flame Tamer	G413-0036-01
BG	2	Cooking Grate	G412-0028-01
BH	1	Warming Rack	G413-0002-01
BI	1	Upper Back Panel	G412-0026-01
BJ	1	Match Holder	G608-0019-01
CA	1	Manifold Assembly	G412-4400-01
CB	1	Natural Gas Hose	G501-0099-01
CC	3	Control Knobs	G412-4500-01
CD1	1	Electronic Igniter Assembly	G501-0072-02
CD2	1	Electronic Ignition Button	G501-0072-01
CE	1	Electrode Set, Main Burner	G412-0009-01
CF	1	Control Panel	G412-0005-01
CG	1	Heat Shield	G412-0017-01
CH	1	Series Logo	G412-0027-01
CI	1	Grease Tray	G412-1000-01
CJ	1	Grease Cup	G416-0015-01
CK	1	Side Burner Lid	G501-00N1-01
CL	1	Side Burner Drip Pan	G617-0035-01
CM1	1	Side Burner Valve	G512-0037-01
CM2	1	Side Burner Metal Hose	G608-0039-01
CN	1	Side Burner Assembly	G433-1400-01
CO	1	Side Burner Electrode Set	G433-0047-01
CP	1	Side Burner Cooking Grate	G501-0077-01
DA	1	Side Burner Shelf Table- Left	G501-K100-01
DB	1	Side Burner Shelf Fascia- Left	G412-0031-01
DC	1	Side Shelf Table- Right	G501-J100-01
DD	1	Side Shelf Fascia-Right	G412-0019-01
DE	1	Cart Side Panel-Left	G412-1200-01
DF	1	Cart Side Panel, Right	G412-1300-01
DG	2	Pillars	G412-0025-01
DH	1	Front Panel	G412-0018-01
DI	1	Bottom Shelf	G412-0800-02
DJ	2	Wheel with Lock	G401-0061-01
DK	2	Wheel	G607-0048-01
E1	1	Hardware Pack	G412-B001-01
E2	1	Assembly Manual	G412-M004-01
E3	1	Safety & Care Manual	G412-M004-02

EXPLODED DIAGRAM (NATURAL GAS) FOR 85-3007-6 (G41205)

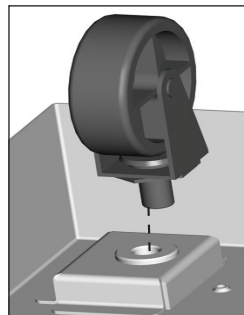


ASSEMBLY INSTRUCTIONS

1



Back view



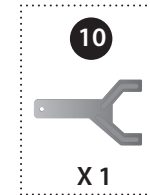
Close up

Separate the 2 different types of wheels, 2 locking wheels (DJ) and 2 regular wheels (DK).

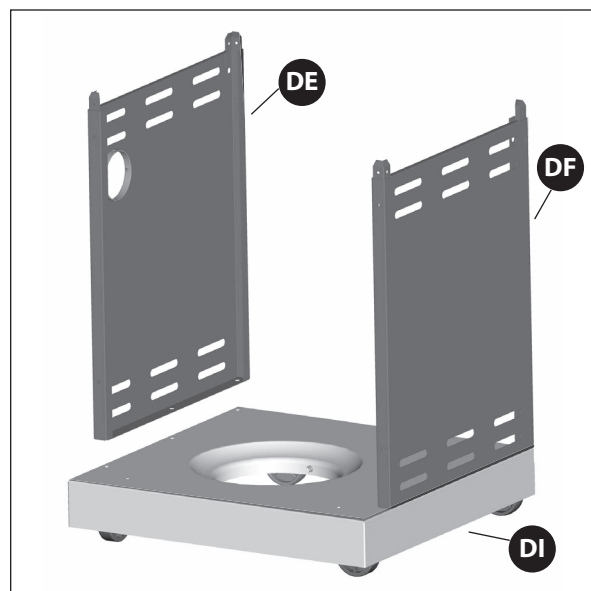
Attach the locking wheels (DJ) to the back of the bottom shelf (DI) and the regular wheels (DK) to the front of the bottom shelf (DI).

To secure the 4 wheels, hand tighten first. Then, tighten further using the wrench provided in the hardware pack.

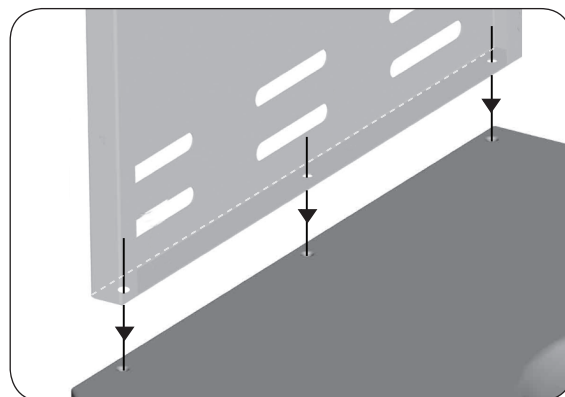
YOU WILL NEED:



2



Front view

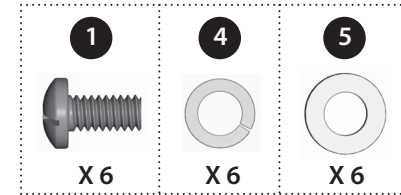


Close up

Ensure that the wheels are firmly locked in the "ON" position before continuing.

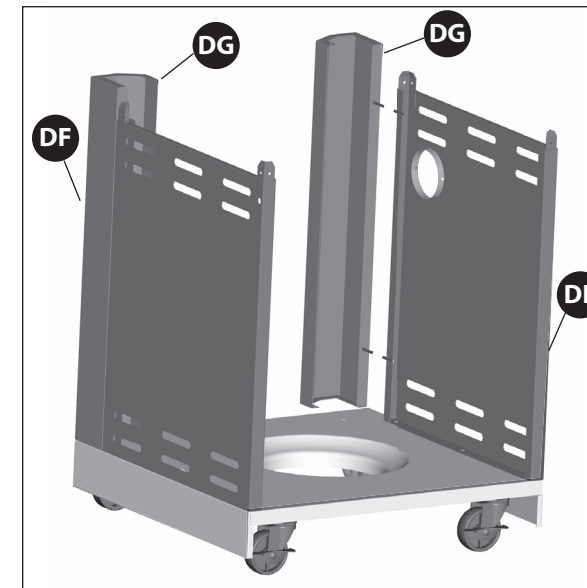
Assemble the left side panel (DE) and the right side panel (DF) to the bottom shelf (DI).

YOU WILL NEED:

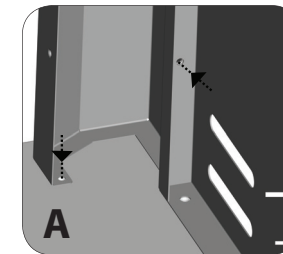


ASSEMBLY INSTRUCTIONS

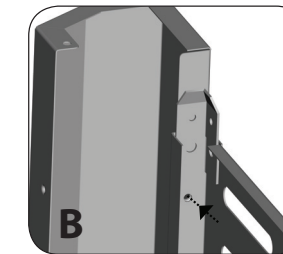
3



Back view



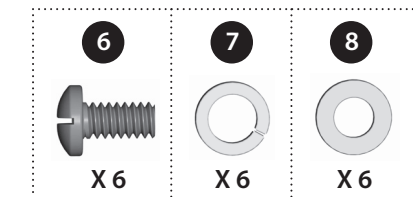
A



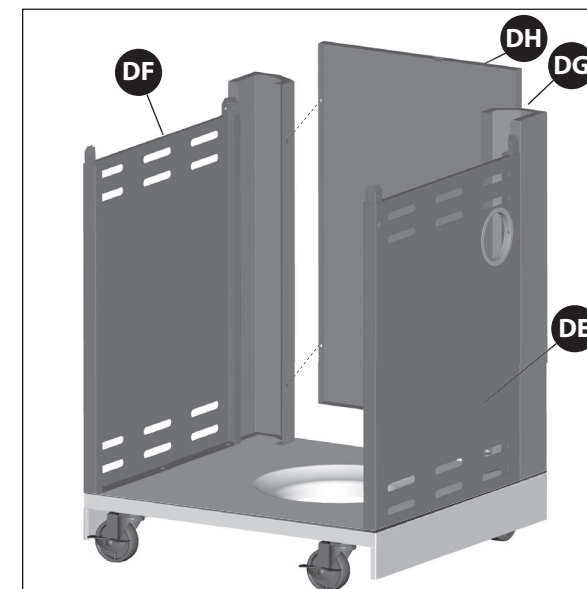
B

Assemble the left and right pillars (DG), to the cart side panels, as shown in figure A and B.

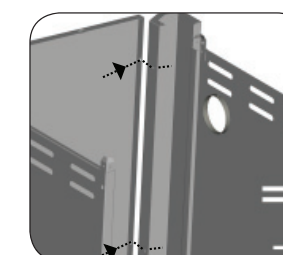
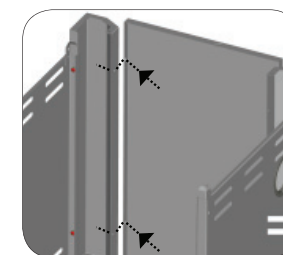
YOU WILL NEED:



4

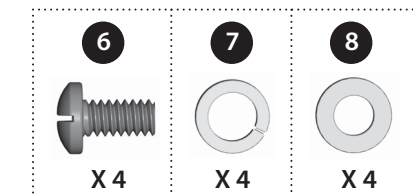


Back view



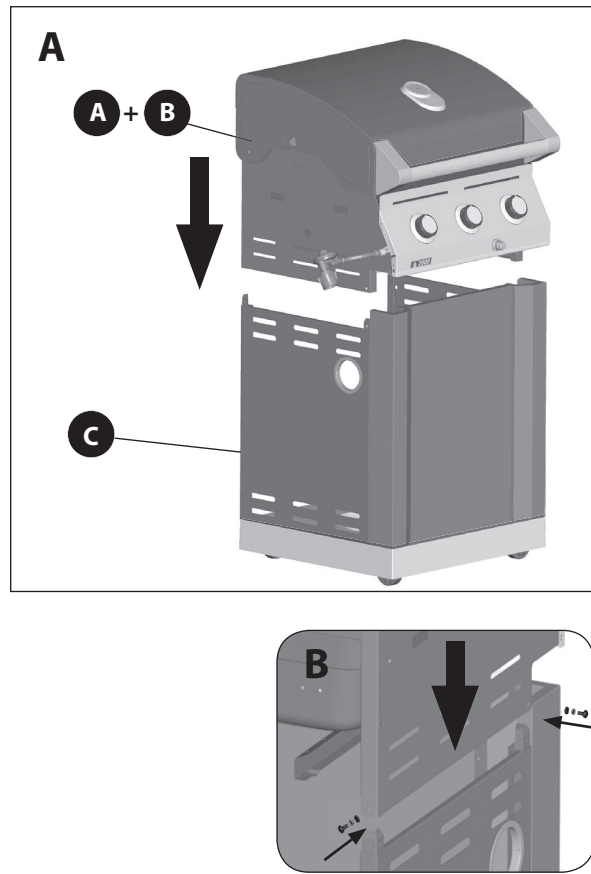
Attach the front panel (DH) onto the pillars (DG).

YOU WILL NEED:



ASSEMBLY INSTRUCTIONS

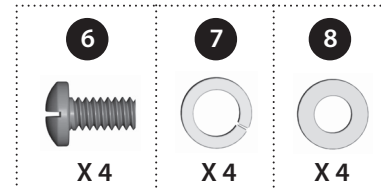
5



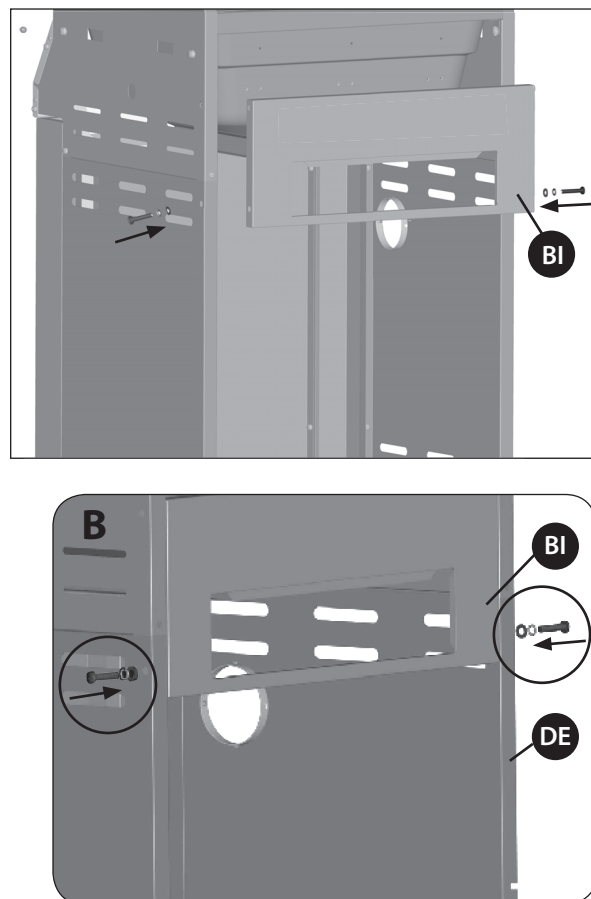
THIS STEP REQUIRES 3 OR MORE PEOPLE. DO NOT ATTEMPT ALONE. EXTREMELY HEAVY.

Position the top lid and burner box assembly (A and B) onto the cart assembly (C) as shown in figure A. Use the hardware to connect both parts, on the left and right sides, at the two points indicated in figure B.

YOU WILL NEED:



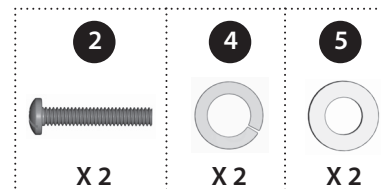
6



Attach the upper back panel (BI) to both the left and right side panels (DE and DF).

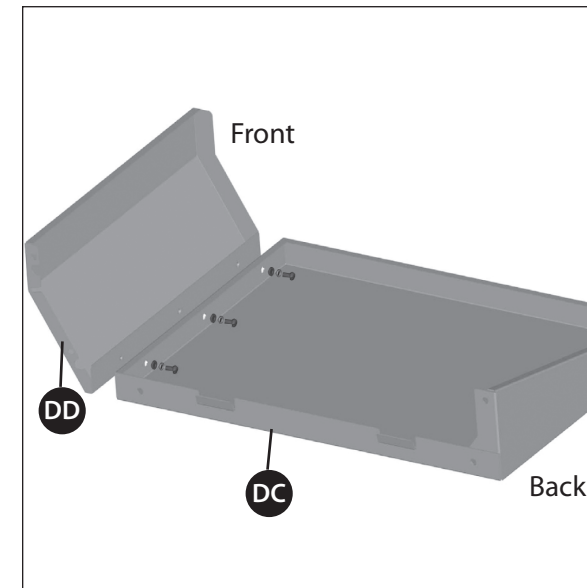
Only install hardware in the bottom portion of the back panel, as shown in figure B.

YOU WILL NEED:



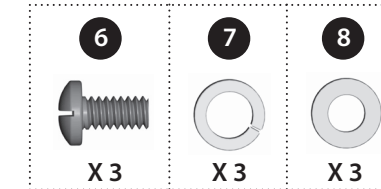
ASSEMBLY INSTRUCTIONS

7

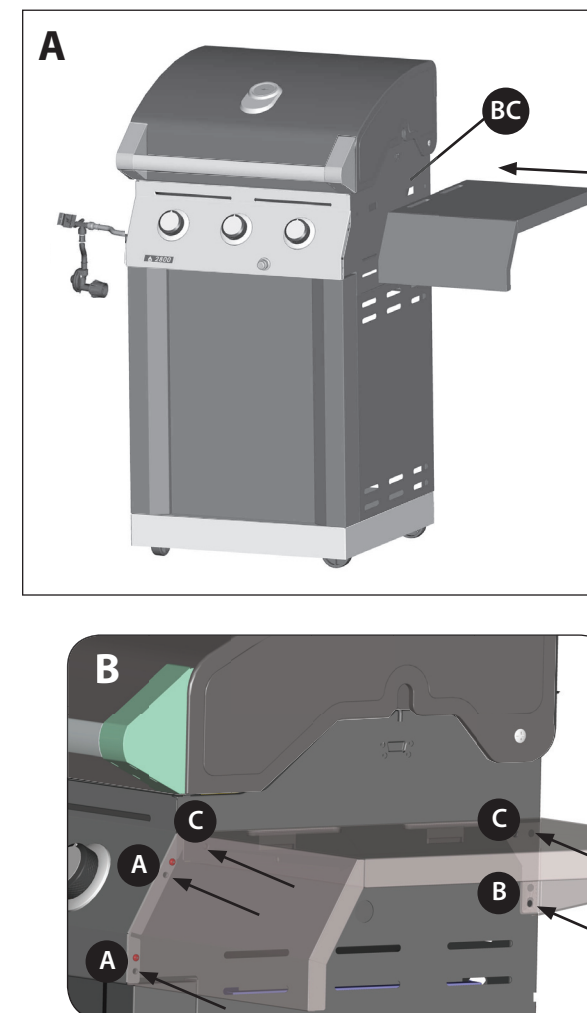


Attach the right side shelf fascia (DD) to the right side shelf (DC).

YOU WILL NEED:



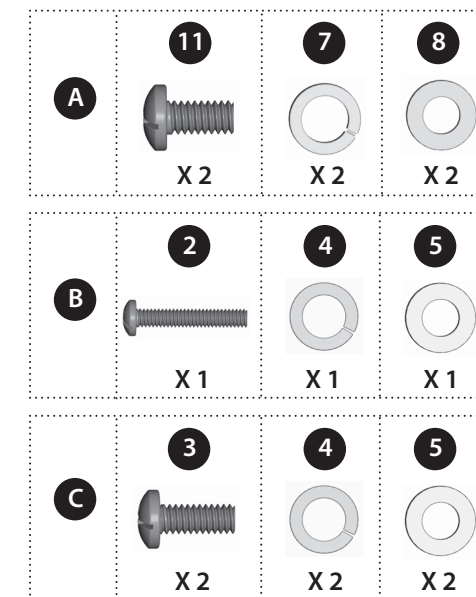
8



TIP: To position the side shelf, insert the two hooks on the side right shelf assembly into the two openings located on the upper right side panel (BC).

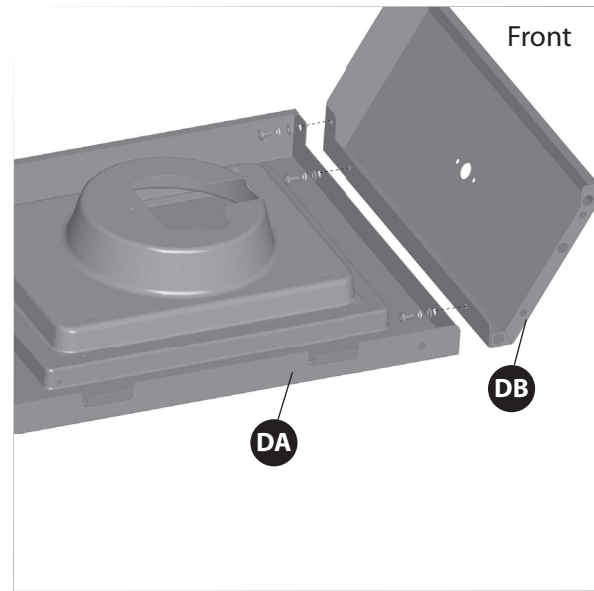
Assemble the right side shelf assembly to the cart assembly, as shown in figure B.

YOU WILL NEED:



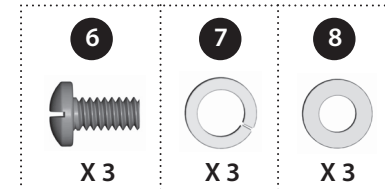
ASSEMBLY INSTRUCTIONS

9

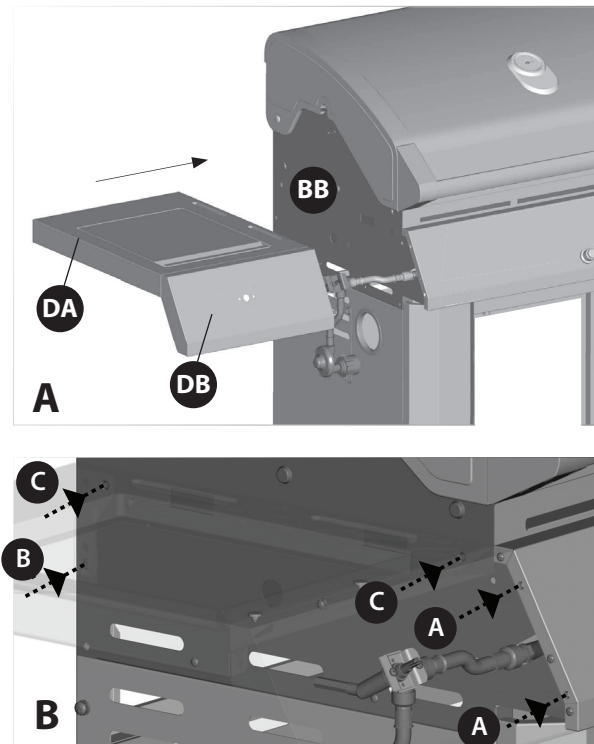


Attach the left side burner shelf fascia (DB) to the left side burner shelf table (DA).

YOU WILL NEED:



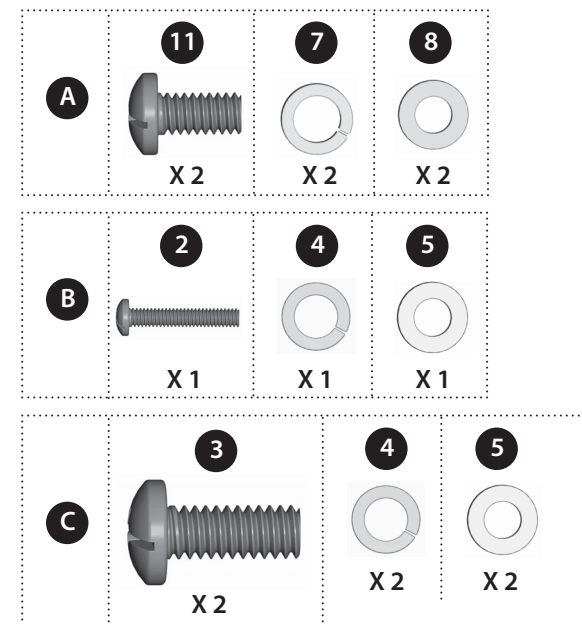
10



TIP: To position the left side burner shelf, insert the two hooks on the side shelf assembly into the two openings located on the upper left side panel (BB).

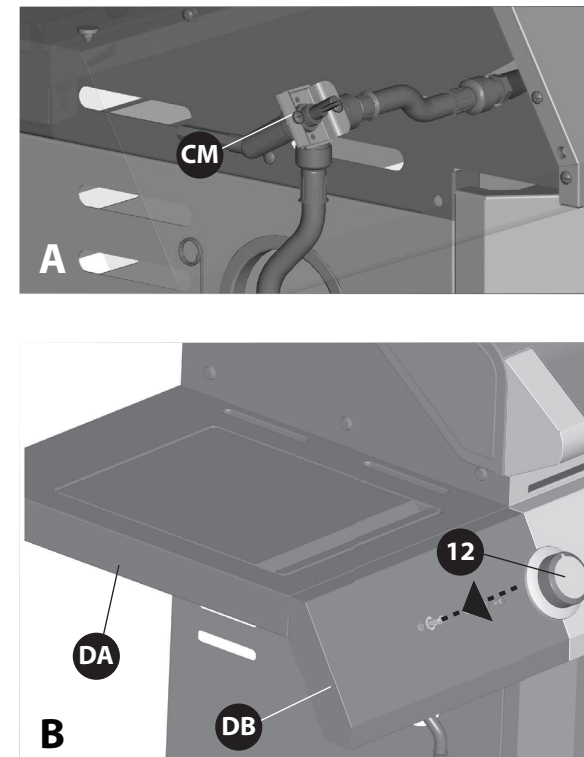
Assemble the left side shelf assembly to the cart assembly, as shown in figure B.

YOU WILL NEED:



ASSEMBLY INSTRUCTIONS

11

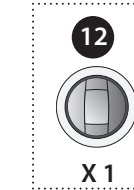


Remove the hardware that is pre-assembled to the side burner valve bracket (CM), as shown in figure A. Insert the side burner valve stem (DB) through the rear of the left side shelf fascia (DA). Assemble the side burner valve to the side shelf fascia, using the hardware removed.

Assemble the side burner control knob (#12) to the side burner valve (CM).

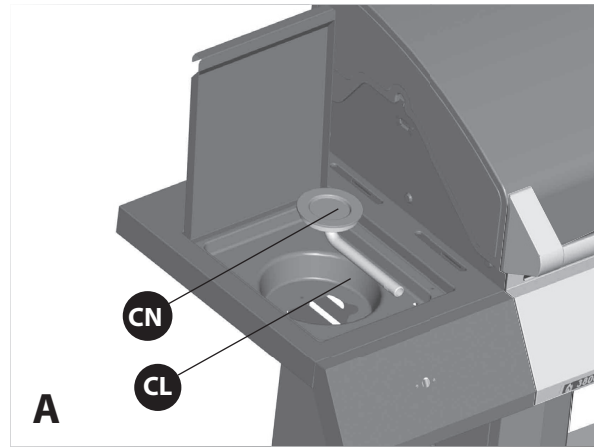
Hardware may be included with the hardware pack.

YOU WILL NEED:

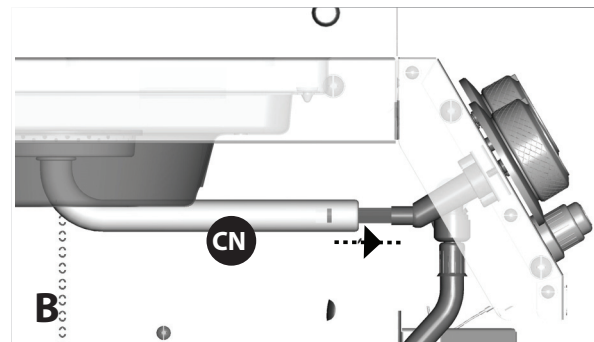


ASSEMBLY INSTRUCTIONS

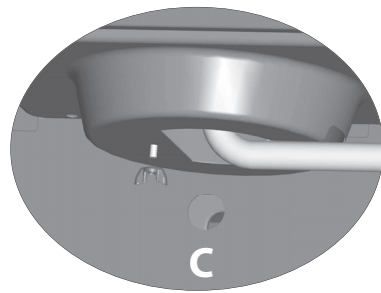
12



a. Position the side burner (CN) through the opening in the left side burner drip pan (CL).

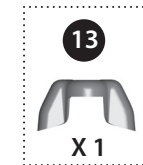


b. Make sure that the burner (CN) engages the side burner valve (CM) as shown in figure B.



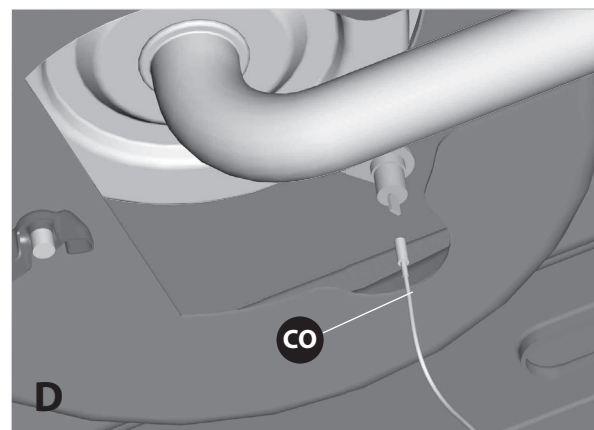
c. Using the wing nut provided, assemble the side burner (CN) to the side burner drip pan (CL), as shown in figure C.

YOU WILL NEED:



d. Attach the end of the side burner electrode wire (CO) to the underside of the side burner electrode, as shown in figure D.

Ensure that the wire is pushed in firmly.

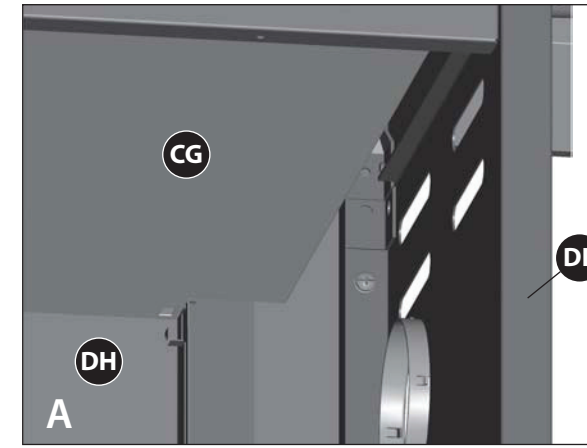


e. Place the side burner cooking grate (CP) into position on the side burner shelf, as shown in figure E.



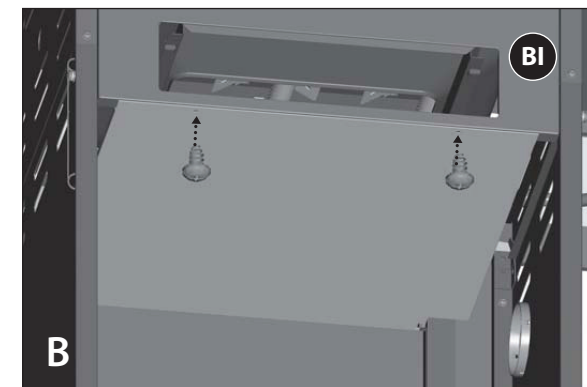
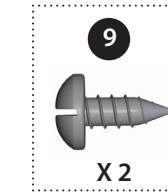
ASSEMBLY INSTRUCTIONS

13



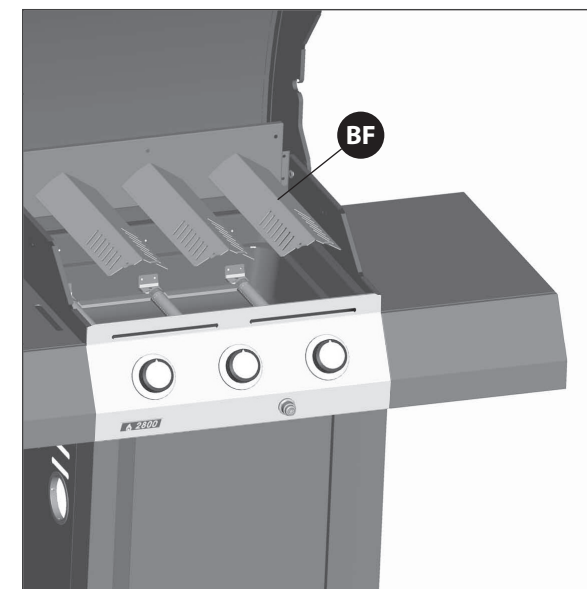
Place the heat shield (CG) into the groove which is located at the back side of the front panel as shown in figure A. Next, attach the heat shield (CG) to the upper back panel (BI) by using the self tapping screw (x2), as shown in figure B.

YOU WILL NEED:



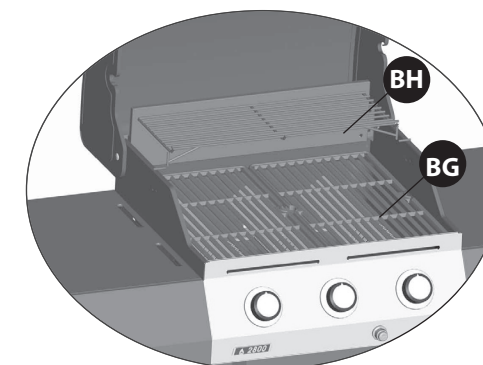
Back view

14



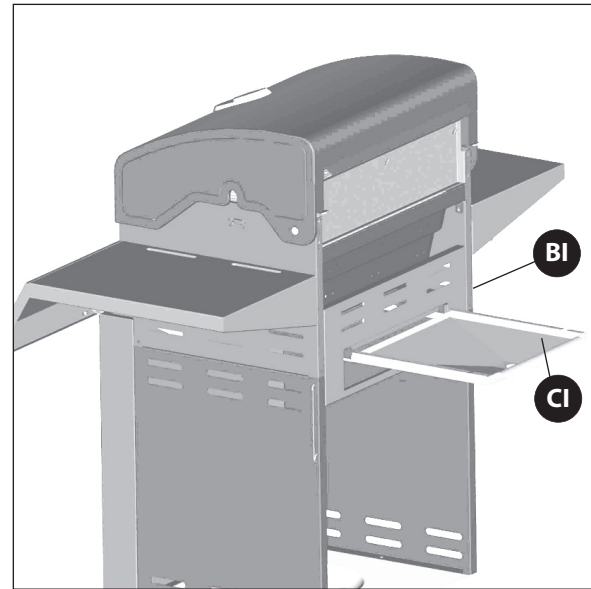
First place the flame tamers (BF) and then the cooking grates (BG) into the burner box.

Place the warming rack (BH) onto the burner box.

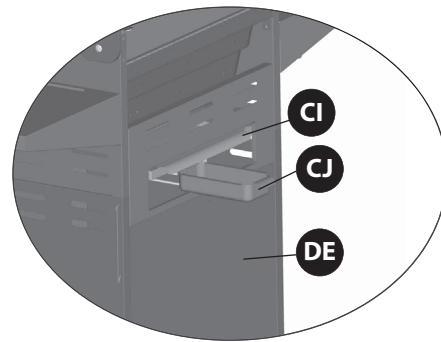


ASSEMBLY INSTRUCTIONS

15



Back view



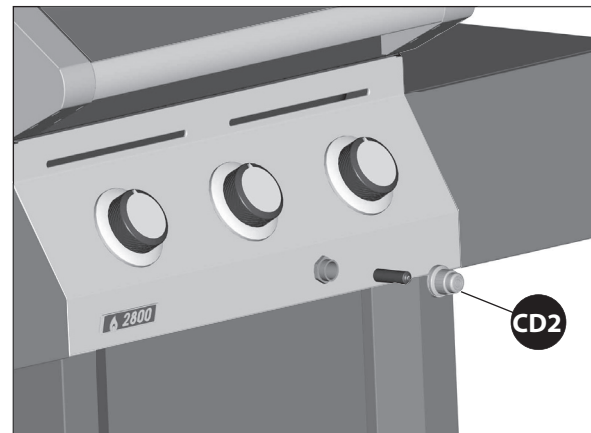
a. Insert the grease tray (CI) into the opening in the upper back panel (BI), making sure to engage tracks located under burner box.

b. Place the grease cup (CJ) onto the tracks, located on the underside of the grease tray (CI).

Unscrew the electronic igniter button (CD2) and insert one AA battery into the electronic igniter battery compartment, with the positive end facing outward.

*** Battery not included.**

16

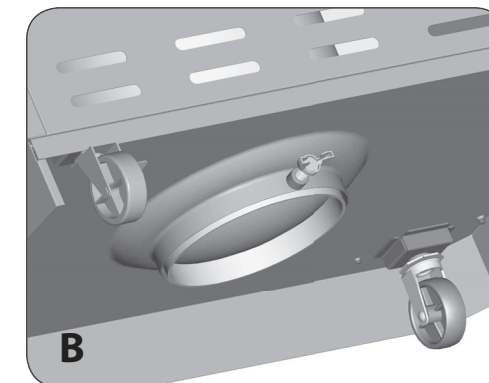


ASSEMBLY INSTRUCTIONS

17



A



B

FOR PROPANE MODEL ONLY.

For natural gas model, follow step 18.

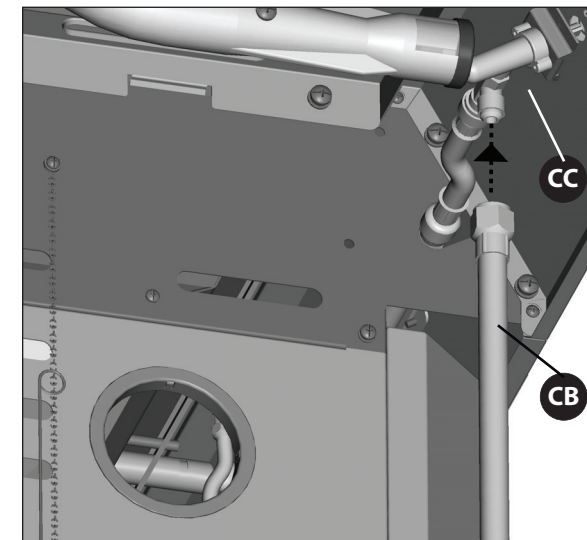
a. Position the 20 lb propane tank onto the bottom shelf (DI), and secure using the bolt (already attached) located on the underside of the bottom shelf, as shown in figure B.

b. Attach the Regulator coupling nut to the LP cylinder valve.

⚠ ATTENTION: For your families safety, do not attempt to light this BBQ until you have reviewed pages 4-7 of the CENTRO Safe Use and Care Manual. All Safety and Leak test **MUST BE PERFORMED BY THE END USER**, prior to lighting this BBQ.

⚠ WARNING
Do not store extra propane tanks within BBQ cart.

18



FOR NATURAL GAS MODEL ONLY.

Attach the natural gas hose (CB) to the side burner valve (CC) as shown.

⚠ ATTENTION: In order to complete installation of your Natural Gas BBQ a 1/2" or 3/8" adapter may be required to connect your BBQ's Natural Gas hose to your home gas supply. Contact your Natural Gas supplier to purchase the necessary part.