

This Owner's Manual is provided and hosted by [Appliance Factory Parts](#).



BROAN QTXE050 Owner's Manual

[Shop genuine replacement parts for BROAN QTXE050](#)



[Find Your BROAN HVAC Parts - Select From 1309 Models](#)

----- Manual continues below -----

BROAN[®]

MODELS

QTXE SERIES ULTRA SILENT™ FANS

To
pr
ww

READ AND SAVE THESE

WARNING

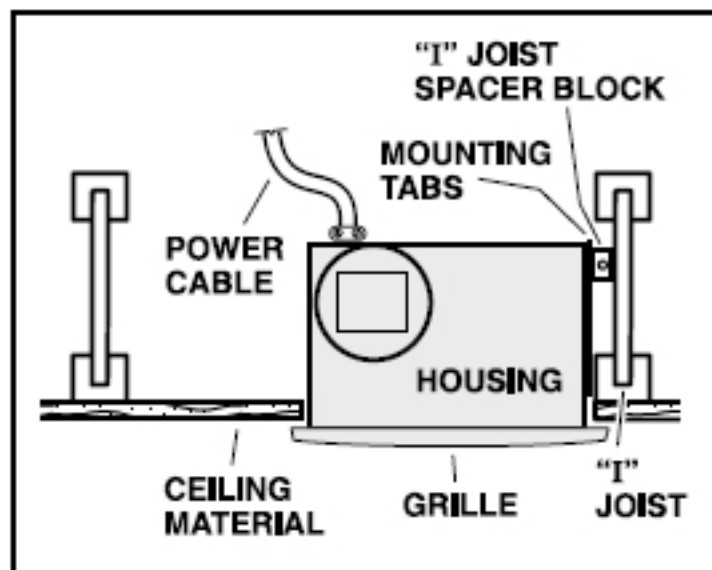


TO REDUCE THE RISK OF FIRE, ELECTRIC SHOCK, OR INJURY TO PERSONS, OBSERVE THE FOLLOWING:

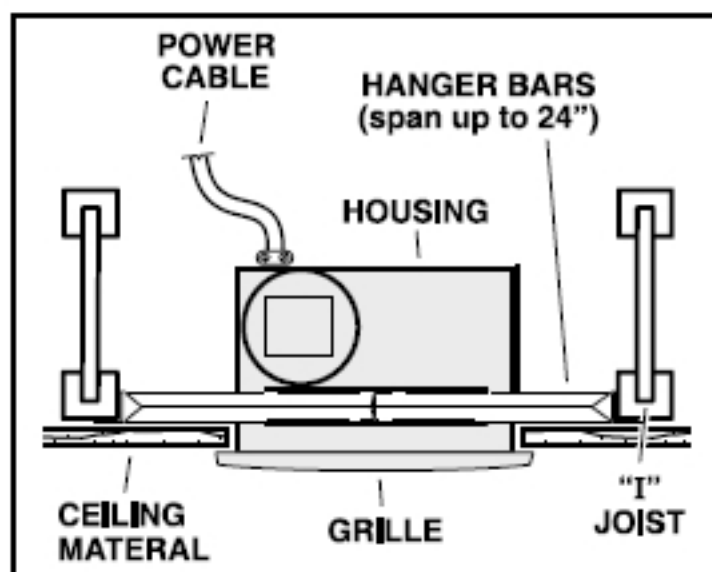
1. Use this unit only in the manner intended by the manufacturer. If you have questions, contact the manufacturer at the address or telephone number listed in the warranty.
2. Before servicing or cleaning unit, switch power off at service panel and lock the service disconnecting means to prevent power from being switched on accidentally. When the service disconnecting means cannot be locked, securely fasten a prominent warning device, such as a tag, to the service panel.
3. Installation work and electrical wiring must be done by a qualified person(s) in accordance with all applicable codes and standards, including fire-rated construction codes and standards.
4. Sufficient air is needed for proper combustion and exhausting of gases through the flue (chimney) of fuel burning equipment to prevent backdrafting. Follow the heating equipment manufacturer's guideline and safety standards such as those published by the National Fire Protection Association (NFPA), and the American Society for Heating, Refrigeration and Air Conditioning Engineers (ASHRAE).

TYPICAL INSTALLATIONS

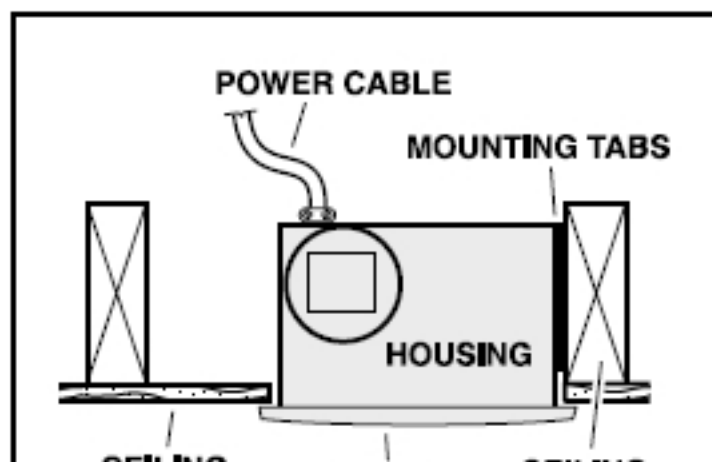
Housing mounted to
I-joists.



Housing mounted any-
where between
I-joists
using
hanger bars.



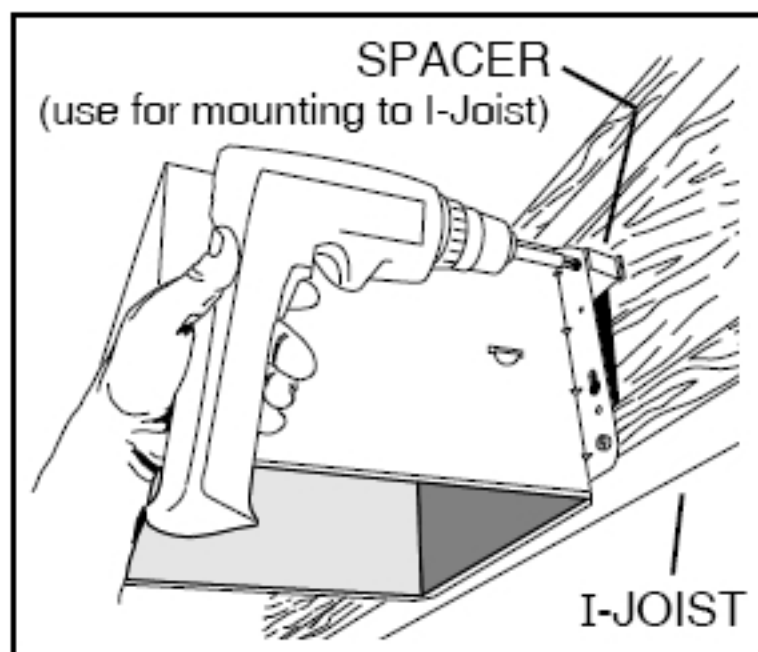
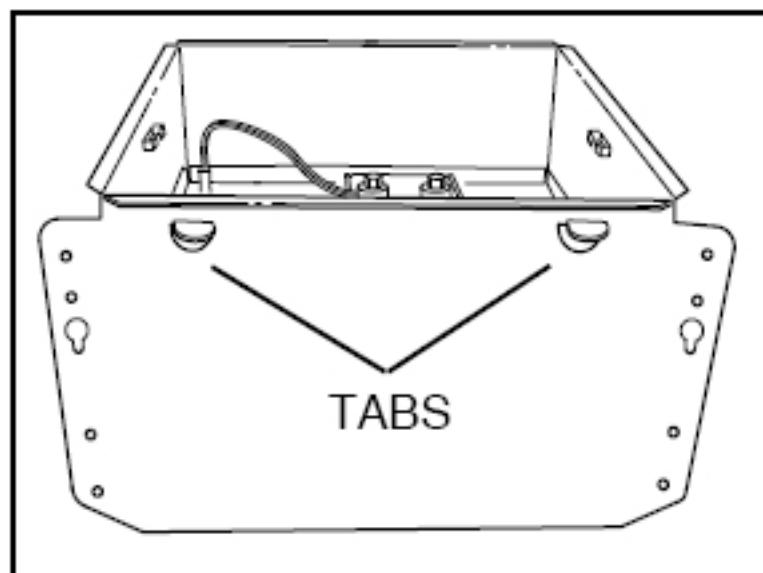
Housing mounted to
joists.



INSTALL HOUSING & DUCT

1a. Mount housing to joist or I-joist.

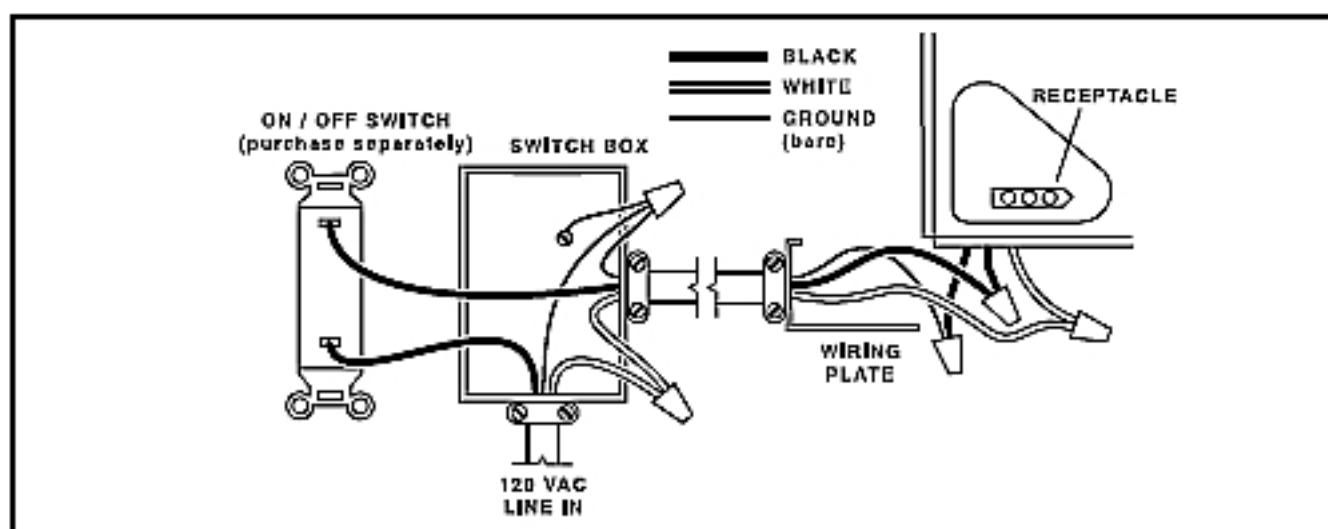
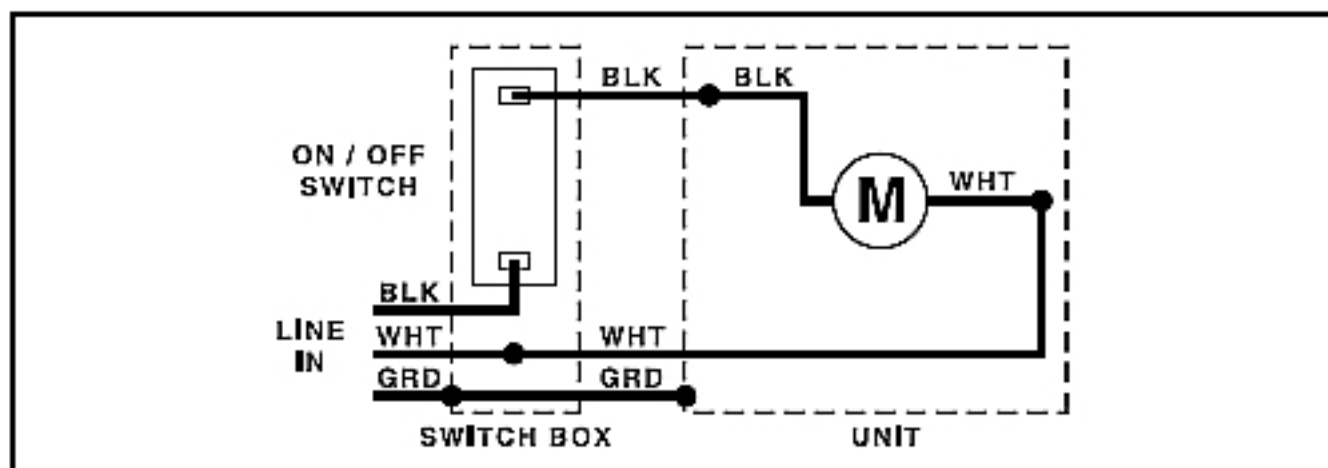
Use a pliers to bend housing **TABS** out to 90°. Hold housing in place so that the housing tabs contact the bottom of the joist. The housing mounts with four (4) screws or nails. Screw or nail housing to joist through lowest holes in each mounting flange, then through highest holes. **NOTE:** Mounting to **I-JOIST** (shown) requires use of **SPACERS** (included) between the highest hole of each mounting flange and the I-joist.



OR

1b. Mount housing anywhere between trusses, joists, or I-joists using hanger

CONNECT WIRING



4. Connect electrical wiring.

Run 120 VAC house wiring to installation location. Use proper UL approved connector to secure house wiring to wiring plate. Connect wires as shown in wiring diagrams.

SERVICE PARTS

Key No	Part No	Description
--------	---------	-------------