

This Owner's Manual is provided and hosted by [Appliance Factory Parts](#).



BROAN QTRE110 FAN Owner's Manual

[Shop genuine replacement parts for BROAN QTRE110
FAN](#)



[Find Your BROAN HVAC Parts - Select From 1309 Models](#)

----- Manual continues below -----

QTR / QTRE SERIES VENTILATORS

To register this product visit:
www.broan.com



READ AND SAVE THESE INSTRUCTIONS

WARNING

TO REDUCE THE RISK OF FIRE, ELECTRIC SHOCK, OR INJURY TO PERSONS, OBSERVE THE FOLLOWING:

1. Use this unit only in the manner intended by the manufacturer. If you have questions, contact the manufacturer at the address or telephone number listed in the warranty.
2. Before servicing or cleaning unit, switch power off at service panel and lock the service disconnecting means to prevent power from being switched on accidentally. When the service disconnecting means cannot be locked, securely fasten a prominent warning device, such as a tag, to the service panel.
3. Installation work and electrical wiring must be done by a qualified person(s) in accordance with all applicable codes and standards, including fire-rated construction codes and standards.
4. Sufficient air is needed for proper combustion and exhausting of gases through the flue (chimney) of fuel burning equipment to prevent backdrafting. Follow the heating equipment manufacturer's guideline and safety standards such as those published by the National Fire Protection Association (NFPA), and the American Society for Heating, Refrigeration and Air Conditioning Engineers (ASHRAE), and the local code authorities.
5. When cutting or drilling into wall or ceiling, do not damage electrical wiring and other hidden utilities.
6. Ducted fans must always be vented to the outdoors.
7. Acceptable for use over a tub or shower when connected to a GFCI (Ground Fault Circuit Interrupter) - protected branch circuit (ceiling installation only).
8. This unit must be grounded.

CAUTION

1. For general ventilating use only. Do not use to exhaust hazardous or explosive materials and vapors.

CLEANING & MAINTENANCE

For quiet and efficient operation, periodically clean the grille and dusting brush attachment - lower or remove grille and dusting brush attachment.

The motor is permanently lubricated. If the motor bearings are making excessive noise, the motor with the exact service panel must be replaced.

OPERATION

Use an on/off switch or speed control. See "Connect Wiring" for details.

WARRANTY

BROAN THREE YEAR WARRANTY

Broan warrants to the original consumer that such products will be free from defects in material and workmanship for a period of three years from the date of purchase. THIS WARRANTY DOES NOT INCLUDE ACCESSORIES, STARTERS AND TUBES. NO OTHER WARRANTIES, EXPRESS OR IMPLIED, ARE NOT LIMITED TO IMPLIED WARRANTIES OF MERCHANTABILITY AND FITNESS FOR A PARTICULAR PURPOSE.

During this three-year period, Broan will, without charge, repair or replace, at its option, any product or part which fails due to normal use and service.

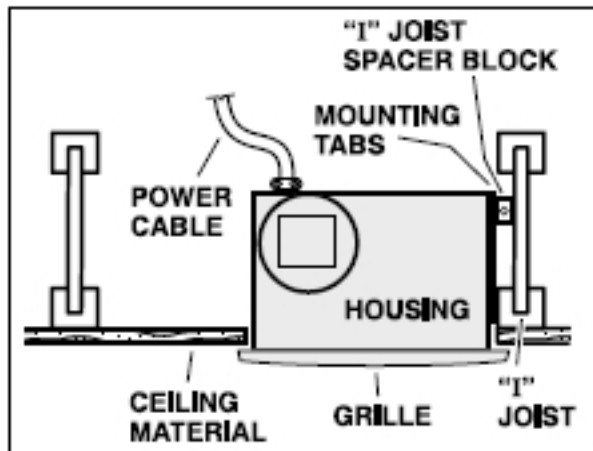
THIS WARRANTY DOES NOT EXTEND TO PRODUCTS WHICH REQUIRE MAINTENANCE AND SERVICE OR (b) any product which is damaged due to misuse, negligence, accident, improper installation, or other causes (other than by Broan), faulty installation or in violation of the installation instructions.

The duration of an implied warranty is limited to the duration specified for the express warranty. The duration of an implied warranty last stated shall not apply to you.

BROAN'S OBLIGATION TO REPAIR OR REPLACE SHALL BE THE PURCHASER'S SOLE REMEDY UNDER THIS WARRANTY. BROAN WILL NOT BE LIABLE FOR INCIDENTAL, CONSEQUENTIAL OR SPECIAL DAMAGES OR IN CONNECTION WITH PRODUCTS OR SERVICES. States do not allow the exclusion or limitation of implied warranties.

TYPICAL INSTALLATIONS

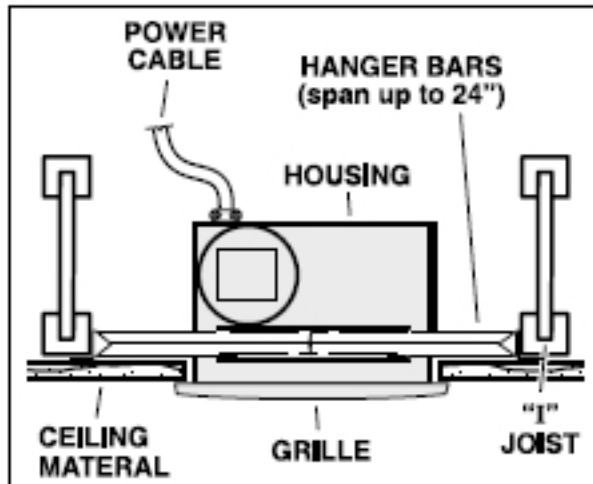
Housing mounted to I-joists.



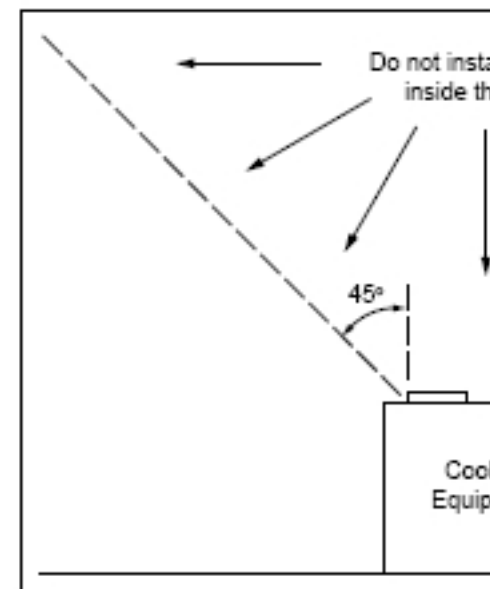
Housing mounted anywhere between trusses using hanger bars.



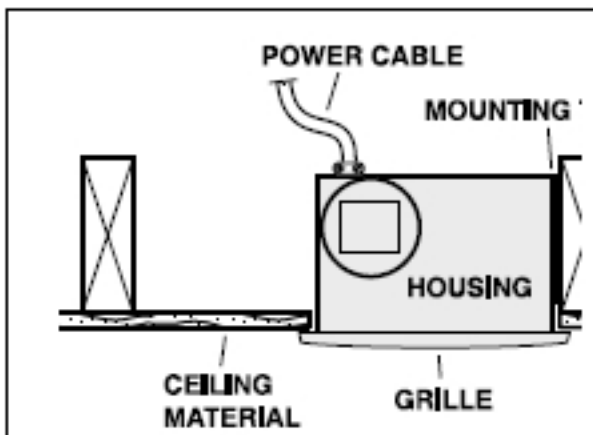
Housing mounted anywhere between I-joists using hanger bars.



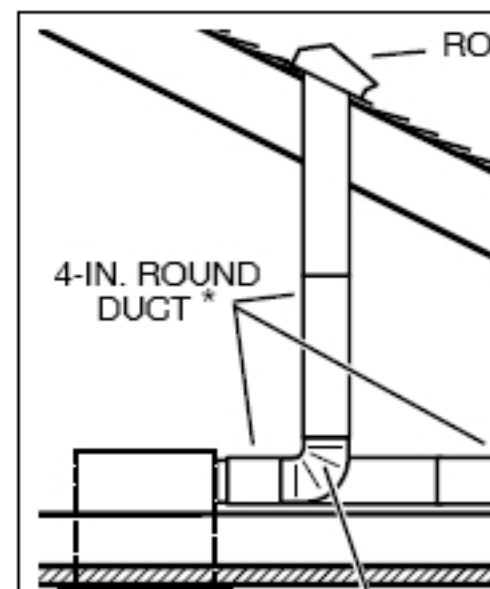
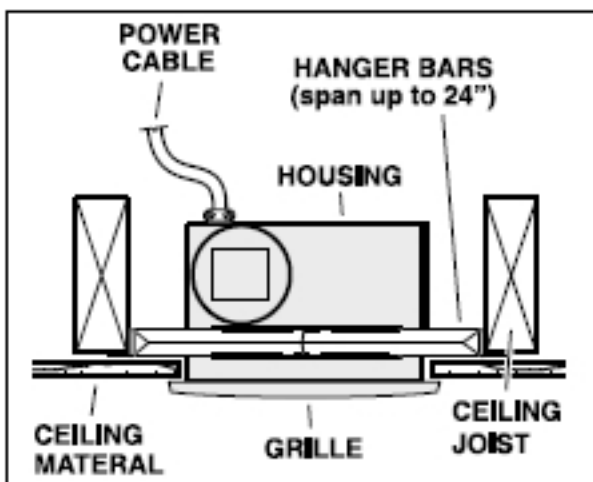
PLAN THE INST



Housing mounted to joists.



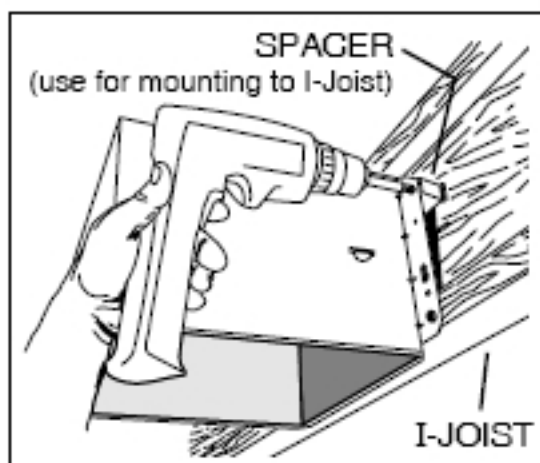
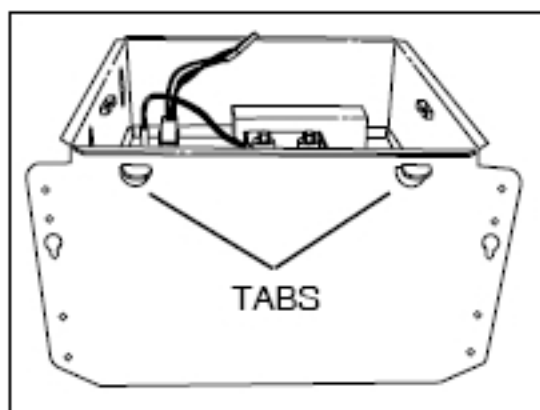
Housing mounted anywhere between joists using hanger bars.



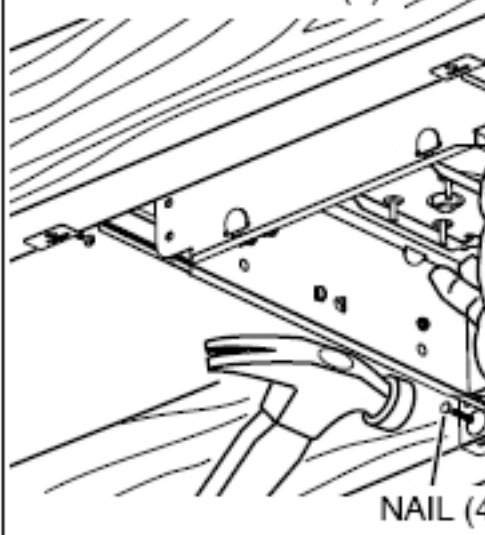
INSTALL HOUSING & DUCT

1a. Mount housing to joist or I-joist.

Use a pliers to bend housing **TABS** out to 90°. Hold housing in place so that the housing tabs contact the bottom of the joist. The housing mounts with four (4) screws or nails. Screw or nail housing to joist through lowest holes in each mounting flange, then through highest holes. **NOTE:** Mounting to **I-JOIST** (shown) requires use of **SPACERS** (included) between the highest hole of each mounting flange and the I-joist.



HOLE FOR OPTIONAL SCREW MOUNTING (4)

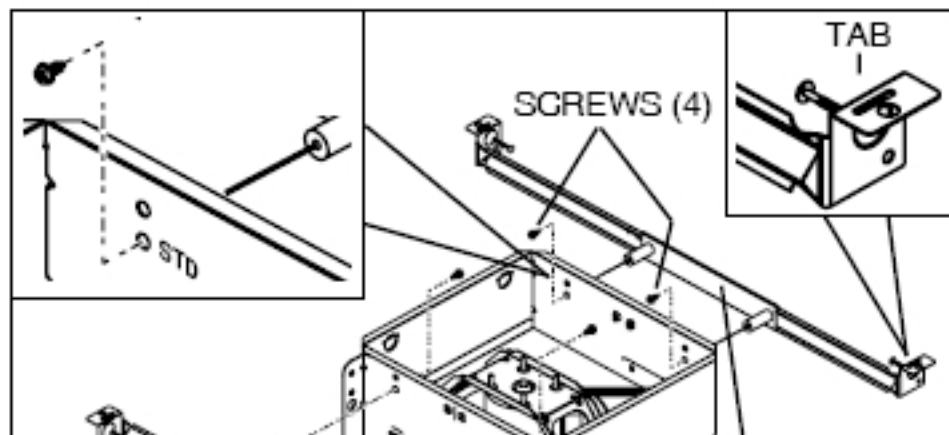


Extend **HANGER BARS** to the...
Hold ventilator in place with...
around the **BOTTOM EDGE**...
NAIL ventilator to framing or fa...
through **HOLE**s near nails.
* To ensure a noise-free mount...
with **SCREWS** or use a plier...
tightly around hanger bars.

OR

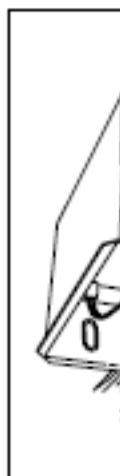
1b. Mount housing anywhere between trusses, joists, or I-joists using hanger bars.

Sliding hanger bars are provided to allow for accurate positioning of housing anywhere between framing. They can be used on all types of framing (I-joist, standard joist, and truss construction) and span up to 24".

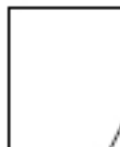


2. Attach damper/duct connector.

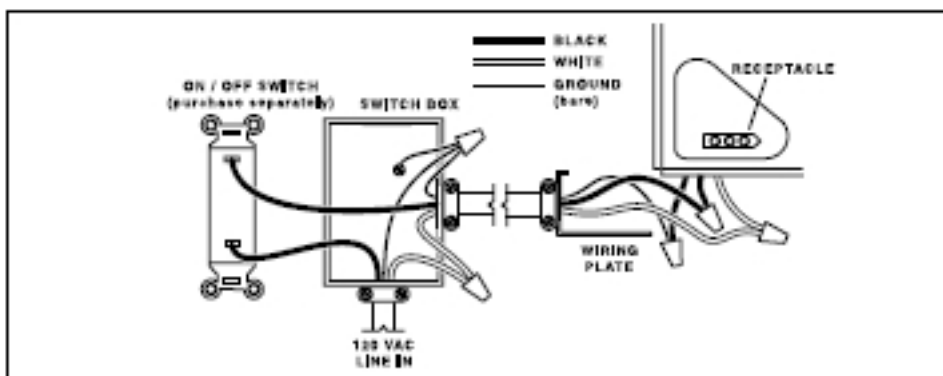
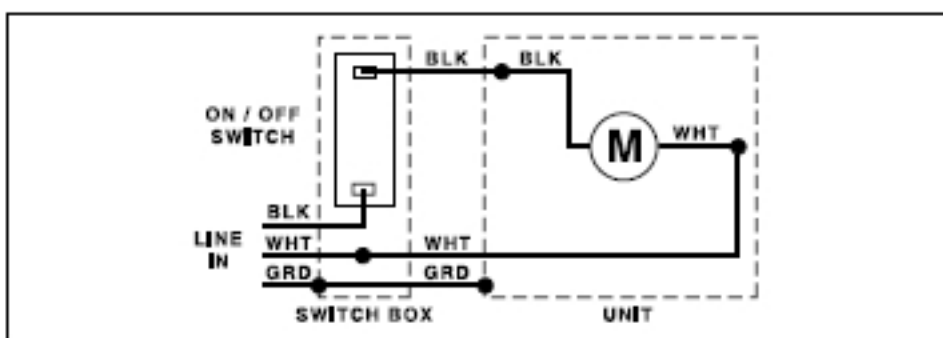
Snap damper / duct connector onto housing. Make sure connector is flush with top of housing and damper flap falls closed.



3. Install 4-inch round duct-



CONNECT WIRING



4. Connect electrical wiring.

Run 120 VAC house wiring to installation location. Use proper UL approved connector to secure house wiring to wiring plate. Connect wires as shown in wiring diagrams.

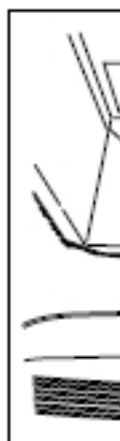
INSTALL GRILLE

5. Finish ceiling.

Install ceiling material. Cut o

6. Attach grille to housing.

Squeeze grille springs and insert them into slots on each side of housing.



7. Push grille against ceiling.



SERVICE PARTS

Key No.	Part No.	Description
1	97016466	Housing
2	97016449	Duct Connector-4"
3	98010102	Wiring Plate
4	99170245	Screw, #8-18 X .375
5	97016932	Wire Panel/Harness Assembly
6	99020284	Blower Wheel
7	99080560	Motor (QTR050)
	99080568	Motor (QTR080)
	99080582	Motor (QTR110)
	99080580	Motor (QTRE080, QTRE110)
8	99100491	Isolator (4 req'd)
9	97016468	Motor Plate
10	99250959	Washer #8 (4 req'd)
11	99260558	Nut, Hex Lock #8-32 (4 req'd)
*	97016587	Blower Assembly (QTR050)
*	97016621	Blower Assembly (QTR080)
*	97016739	Blower Assembly (QTR110)
*	97016738	Blower Assembly (QTRE080, QTRE110) (includes key nos. 6 thru 11)
12	97016497	Grille Assembly (includes key no. 13)
13	99140109	Grille Spring (2 req'd)

Replacement parts can be ordered on our website. Please visit us at www.broan.com

