

This Owner's Manual is provided and hosted by [Appliance Factory Parts](#).



BROAN 744 FL Owner's Manual

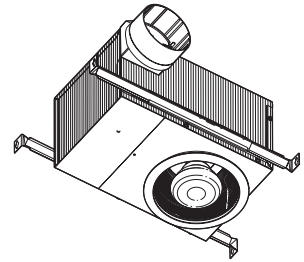
[Shop genuine replacement parts for BROAN 744 FL](#)



[Find Your BROAN HVAC Parts - Select From 1309 Models](#)

----- Manual continues below -----

MODEL 744FL RECESSED FAN / FLUORESCENT LIGHT



Add lighting and ventilation to your room - with the look of an ordinary recessed light.

FEATURES

TRIM RING BAFFLE:

- Polymeric construction with matte white finish
- Recessed styling, mounts flush with finished ceiling

LAMP:

- Uses R30-shaped, 14W, high efficacy, compact fluorescent lamp with GX24q-1 base (included)
- Electronic ballast

BLOWER:

- Plug-in, permanently lubricated, motor
- Dynamically balanced centrifugal blower wheel for quiet, efficient performance
- Low RPM for quiet operation

HOUSING:

- Fits in 2" x 8" construction
- Rugged, 26 gage, galvanized steel construction
- 4" round, polymeric duct connector with 2" tapered sleeve and no metallic clatter
- Adjustable mounting brackets span up to 24"

CONTROLS: (purchase separately)

- Model 59V (Ivory) / 59W (White) - 60-minute time control
- Model 69VL (Ivory) / 69WL (White) - One rocker switch with "on" indicator light
- Model 68V (Ivory) / 68W (White) - Two rocker switches

U.L. Listed for use in insulated ceilings (TYPE I.C.)

U.L. Listed for use over bathtubs and showers when connected to a GFCI protected branch circuit.

SPECIFICATIONS

VOLTS	AMPS*	SONES	CFM	DUCT
120	0.7	1.5	70	4" Round

* Total Connected Load

TYPICAL SPECIFICATION

Fan / Light shall be Broan Model 744FL.

Fan / Light shall have corrosion resistant steel housing and adjustable mounting brackets.

Motor assembly to be removable and permanently lubricated.

Non-metallic damper/duct connector to be included.

Fan and Light to operate separately or in combination.

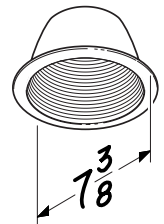
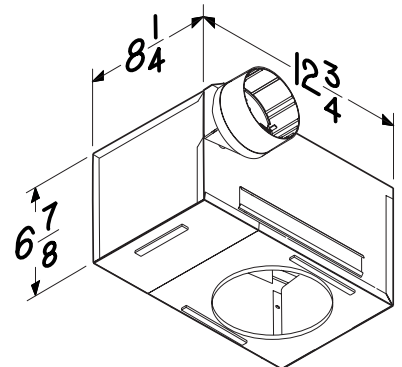
Fan / Light must use an R30-shaped, 14W, high efficacy, pin-based, compact fluorescent lamp and an electronic ballast.

Air delivery shall be no less than 70 CFM and sound level no greater than 1.5 Sones. All air and sound ratings shall be certified by HVI.

Fan / Light must be U.L. and cU.L. Listed for use in insulated ceilings (Type I.C.).



HVI-2100 CERTIFIED RATINGS comply with new testing technologies and procedures prescribed by the Home Ventilating Institute, for off-the-shelf products, as they are available to consumers. Product performance is rated at 0.1 in. static pressure, based on tests conducted in AMCA's state-of-the-art test laboratory. Sones are a measure of humanly-perceived loudness, based on laboratory measurements.



Broan-NuTone LLC, 926 West State Street, Hartford, WI 53027 (1-800-637-1453)

REFERENCE	QTY.	REMARKS	Project	
			Location	
			Architect	
			Engineer	
			Contractor	
			Submitted by	Date