

This Owner's Manual is provided and hosted by [Appliance Factory Parts](#).



BROAN 349BR Owner's Manual

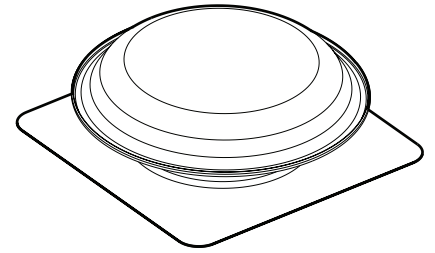
[Shop genuine replacement parts for BROAN 349BR](#)



[Find Your BROAN HVAC Parts - Select From 1309 Models](#)

----- Manual continues below -----

ROOF MOUNTED POWERED ATTIC VENTILATOR MODEL 349BR



Powerful and easy to install, these units supplement or replace air conditioning by removing the blanket of hot, trapped air from attics - automatically.

FEATURES

- Precision balanced 14" metal blade for maximum air flow - minimum sound level
- .030 steel dome finished with brown powder coat paint - provides ultraviolet protection and superior durability
- 23 gage metal flashing - allows for nailing and hot tar application
- Mesh bird screen
- Built-in adjustable thermostat - for automatic operation at your chosen temperature level
- Thermally protected, permanently lubricated motor
- Mounts easily between rafters - installation template included

CONTROLS DESIGNED FOR USE WITH THIS PRODUCT (purchase separately):

- Model 69V (Ivory)/69W (White) Single-Function Control
- Model 68V (Ivory)/68W (White) Two-Function Control
- Model 72V (Ivory)/72W (White) Electronic Variable Speed Control- 6 amp

SPECIFICATIONS

VOLTS	AMPS	CFM	ATTIC MAX. SQ. FT.	MIN. INLET AREA
115	4.0	1000	1400	3.5 SQ. FT.



HVI-2100 CERTIFIED RATINGS comply with new testing technologies and procedures prescribed by the Home Ventilating Institute, for off-the-shelf products, as they are available to consumers. Product performance is rated at 0.1 in. static pressure, based on tests conducted in a state-of-the-art test laboratory. Sones are a measure of humanly-perceived loudness, based on laboratory measurements.

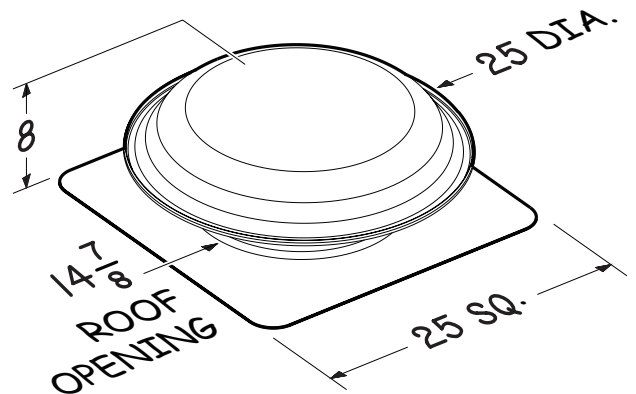
TYPICAL SPECIFICATION

Roof Mounted Attic Ventilator shall be Broan Model 349BR. Ventilator shall have metal blade and flashing plate. Bird screen to be included.

Dome to be steel (.030 approx. 22 gage steel) finished with powder coated, ultraviolet resistant paint. Motor to be thermally protected and permanently lubricated.

Ventilator shall have a built-in adjustable thermostat and mount easily between rafters or wall studs.

Air delivery shall be no less than 1000 CFM. All ratings shall be certified by HVI. Unit to be U.L. Listed.



Broan-NuTone LLC Hartford, Wisconsin www.broan.com 800-558-1711

REFERENCE	QTY.	REMARKS	Project
			Location
			Architect
			Engineer
			Contractor
			Submitted by Date