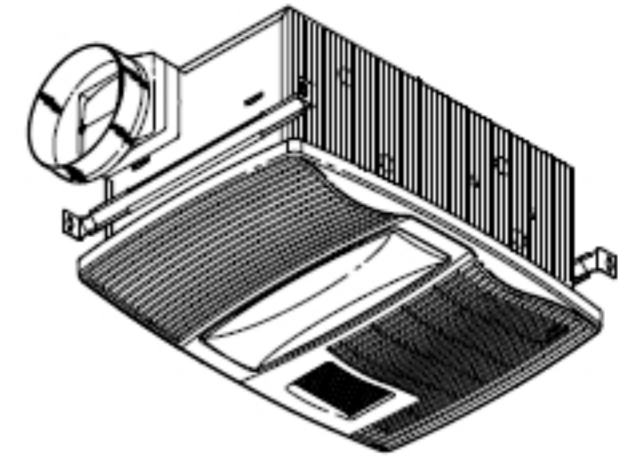


QTX SERIES HEATER / FAN / FLUORESCENT LIGHT / NIGHT LIGHT



READ AND SAVE THESE INSTRUCTIONS

WARNING

TO REDUCE THE RISK OF FIRE, ELECTRIC SHOCK, OR INJURY TO PERSONS, OBSERVE THE FOLLOWING:

1. Use this unit only in the manner intended by the manufacturer. If you have questions, contact the manufacturer at the address or telephone number listed in the warranty.
2. Before servicing or cleaning unit, switch power off at service panel and lock the service disconnecting means to prevent power from being switched on accidentally. When the service disconnecting means cannot be locked, securely fasten a prominent warning device, such as a tag, to the service panel.
3. Installation work and electrical wiring must be done by a qualified person(s) in accordance with all applicable codes and standards, including fire-rated construction codes and standards.
4. Sufficient air is needed for proper combustion and exhausting of gases through the flue (chimney) of fuel burning equipment to prevent backdrafting. Follow the heating equipment manufacturer's guideline and safety standards such as those published by the National Fire Protection Association (NFPA), and the American Society for Heating, Refrigeration and Air Conditioning Engineers (ASHRAE), and the local code authorities.
5. When cutting or drilling into wall or ceiling, do not damage electrical wiring and other hidden utilities.
6. Ducted fans must always be vented to the outdoors.
7. Provide a separate 20 AMP circuit. Use 12 GA. power cable of type which meets code.
8. This unit must be grounded.

CAUTION

1. For general ventilating use only. Do not use to exhaust hazardous or explosive materials and vapors.
2. This product is designed for installation in ceilings up to a 12/12 pitch. Duct connector must point up. **DO NOT MOUNT THIS PRODUCT IN A WALL.**
3. To avoid motor bearing damage and noisy and/or unbalanced impellers, keep drywall spray, construction dust, etc. off power unit.
4. Please read specification label on product for further information and requirements.

CLEANING & MAINTENANCE

For quiet and efficient operation, long life, and attractive appearance - lower or remove grille and vacuum interior of unit with the dusting brush attachment.

The motor is permanently lubricated and never needs oiling. If the motor bearings are making excessive or unusual noises, replace the motor with the exact service motor. The impeller should also be replaced.

Replace light bulbs with (2) 18-Watt 3500K (maximum), GU24 based fluorescent lamps and (1) 7-Watt night light bulb.

OPERATION

Use a 4-Function Control to operate the heater, fan, light, and night light separately. See "Connect Wiring" for details.

WARRANTY

BROAN-NUTONE THREE YEAR LIMITED WARRANTY

Broan-NuTone warrants to the original consumer purchaser of its products that such products will be free from defects in materials or workmanship for a period of three years from the date of original purchase. THERE ARE NO OTHER WARRANTIES, EXPRESS OR IMPLIED, INCLUDING, BUT NOT LIMITED TO, IMPLIED WARRANTIES OF MERCHANTABILITY OR FITNESS FOR A PARTICULAR PURPOSE.

During this three-year period, Broan-NuTone will, at its option, repair or replace, without charge, any product or part which is found to be defective under normal use and service.

THIS WARRANTY DOES NOT EXTEND TO FLUORESCENT LAMP STARTERS AND TUBES. This warranty does not cover (a) normal maintenance and service or (b) any products or parts which have been subject to misuse, negligence, accident, improper maintenance or repair (other than by Broan-NuTone), faulty installation or installation contrary to recommended installation instructions.

The duration of an implied warranty is limited to the three-year period as specified for the express warranty. Some states do not allow limitation on how long an implied warranty lasts, so the above limitation may not apply to you.

BROAN-NUTONE'S OBLIGATION TO REPAIR OR REPLACE, AT BROAN-NUTONE'S OPTION, SHALL BE THE PURCHASER'S SOLE AND EXCLUSIVE REMEDY UNDER THIS WARRANTY. BROAN-NUTONE SHALL NOT BE LIABLE FOR INCIDENTAL, CONSEQUENTIAL OR SPECIAL DAMAGES ARISING OUT OF OR IN CONNECTION WITH PRODUCT USE OR PERFORMANCE. Some states do not allow the exclusion or limitation of incidental or consequential damages, so the above limitation may not apply to you.

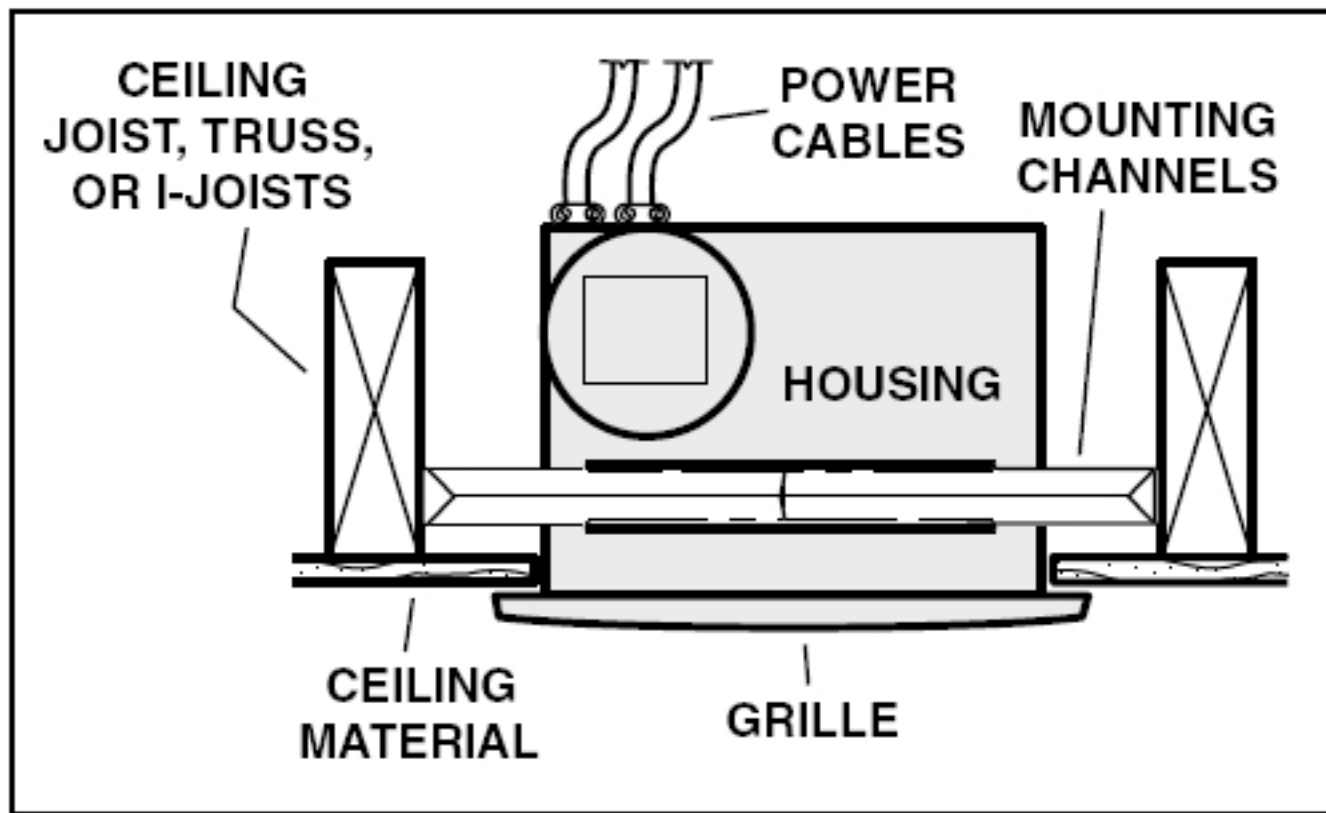
This warranty gives you specific legal rights, and you may also have other rights, which vary from state to state. This warranty supersedes all prior warranties.

To qualify for warranty service, you must (a) notify Broan-NuTone at the address or telephone number stated below, (b) give the model number and part identification and (c) describe the nature of any defect in the product or part. At the time of requesting warranty service, you must present evidence of the original purchase date.

Broan-NuTone LLC Hartford, Wisconsin www.broan.com 800-558-1711

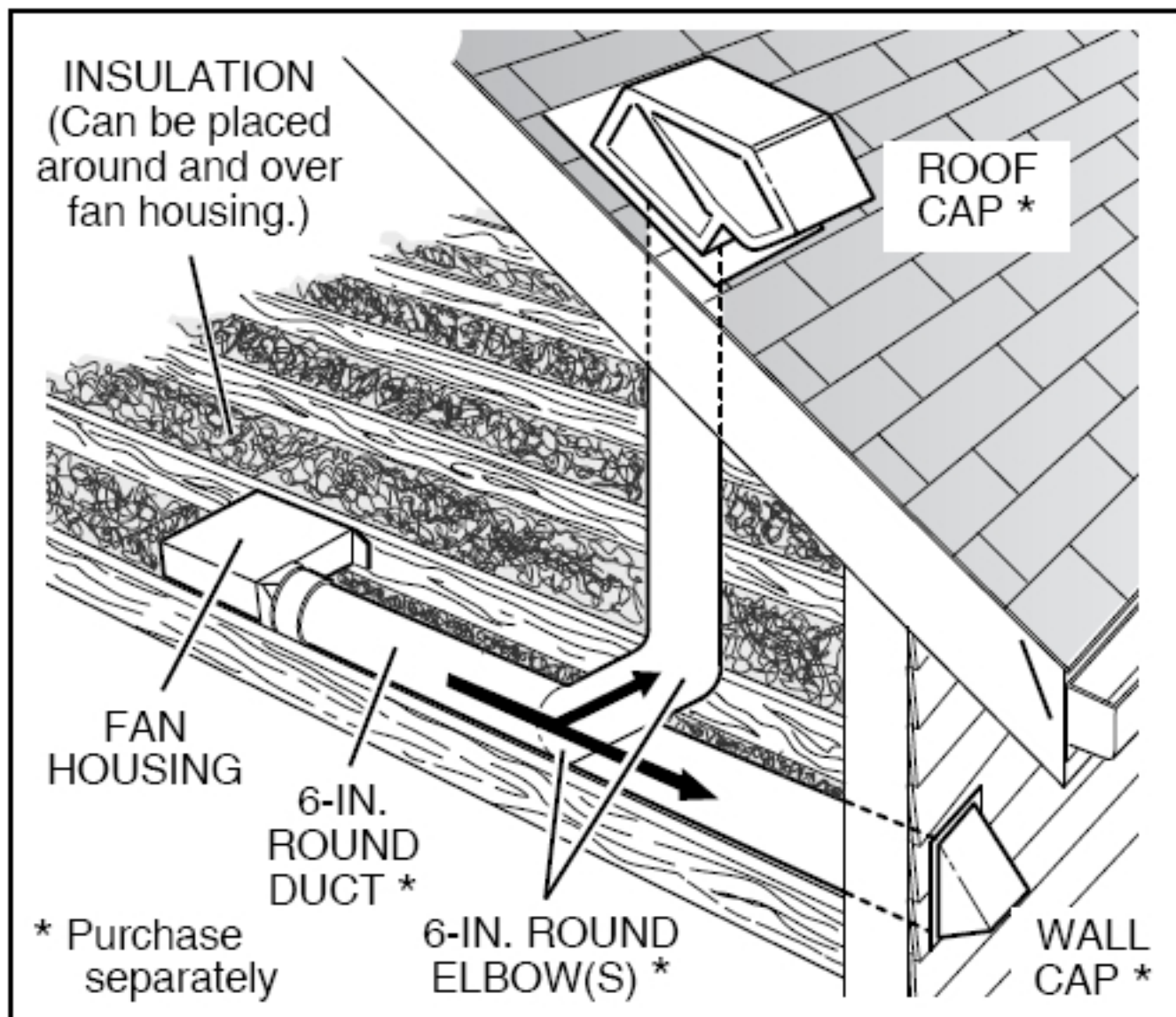
Installer: Leave this manual with the homeowner.

TYPICAL INSTALLATION



*Housing mounted directly to joists, trusses, or I-joists.
Up to 24-inches on-center.*

PLAN THE INSTALLATION



The unit will operate most quietly and efficiently when located where the shortest possible duct run and minimum number of elbows will be needed.

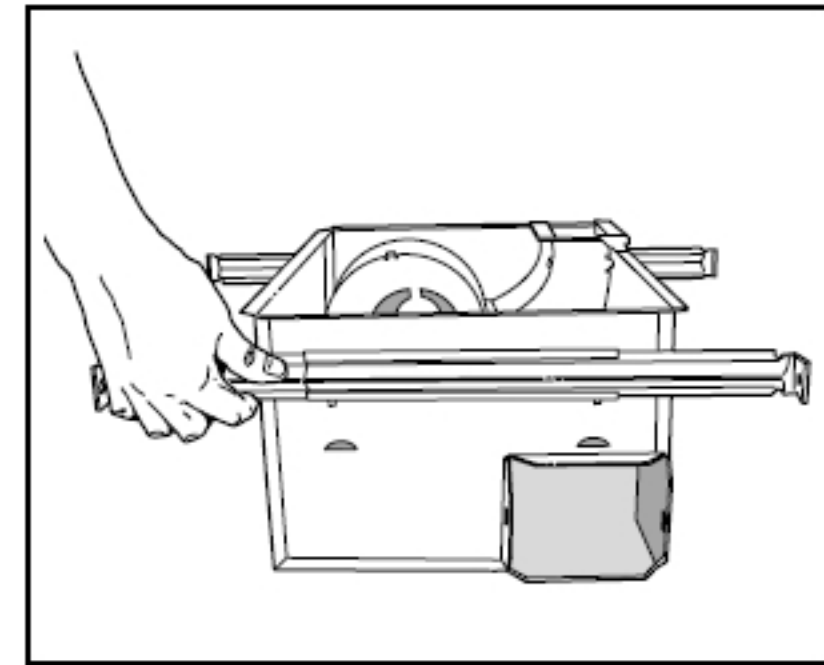
Use a roof cap or wall cap that has a built-in damper to reduce backdrafts.

Plan to supply the unit with proper line voltage and appropriate power cable.

INSTALLATION

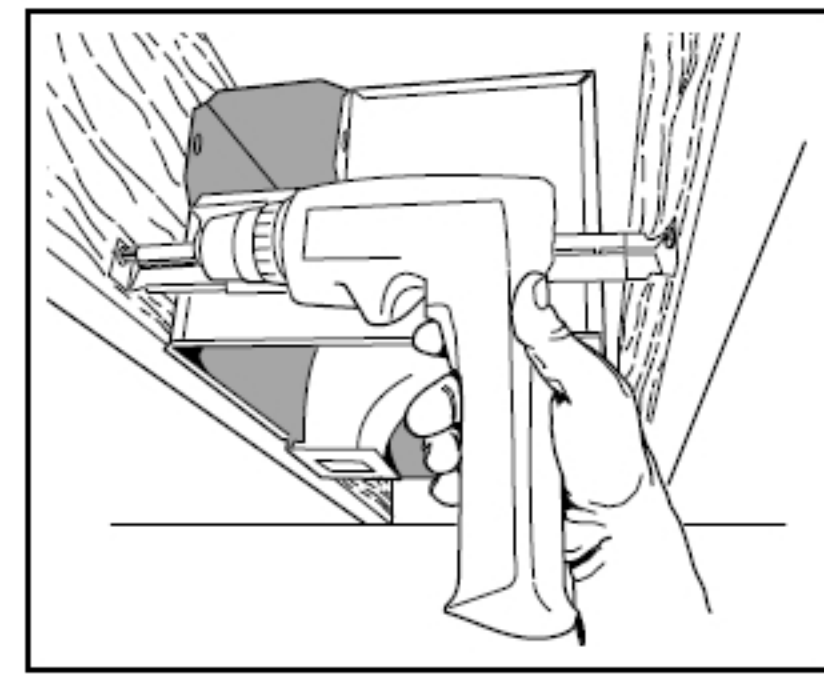
1. Insert mounting brackets.

Slide the (4) mounting brackets into the channels on each end of the housing.



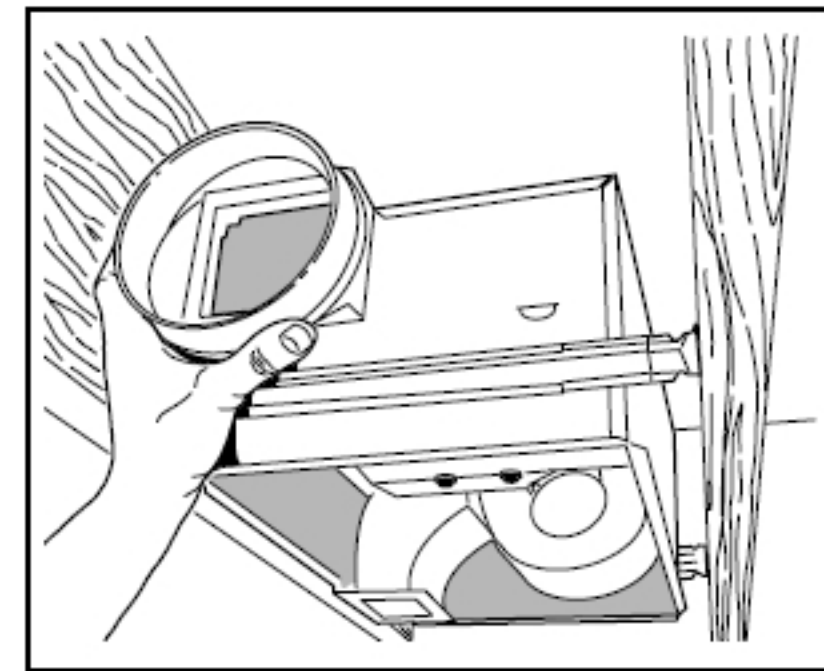
2. Mount housing.

Secure housing to ceiling structure with (4) mounting screws. Make sure bottom of housing will be flush with finished ceiling material.



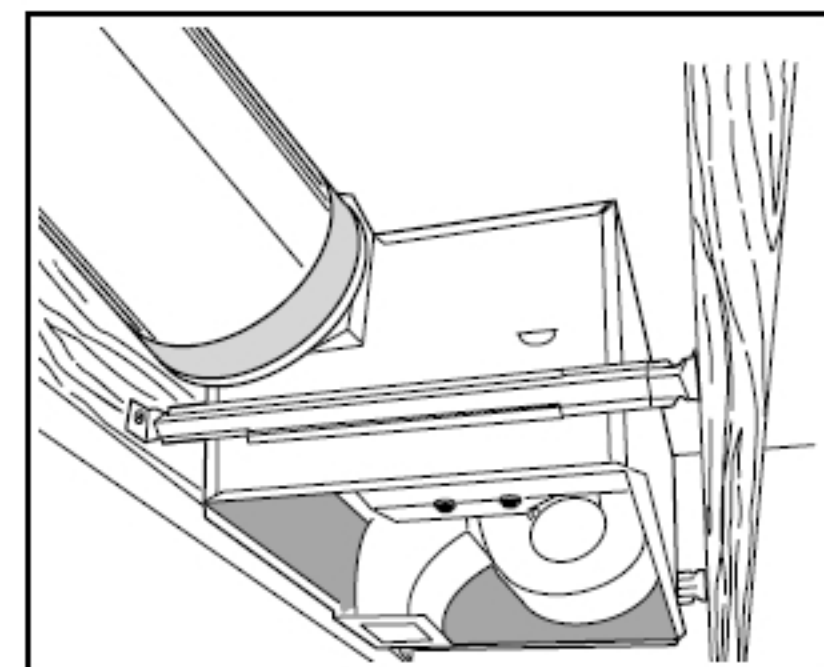
3. Attach damper / duct connector to housing.

Snap damper / duct connector onto housing. Make sure connector is flush with top of housing and damper flap falls closed.

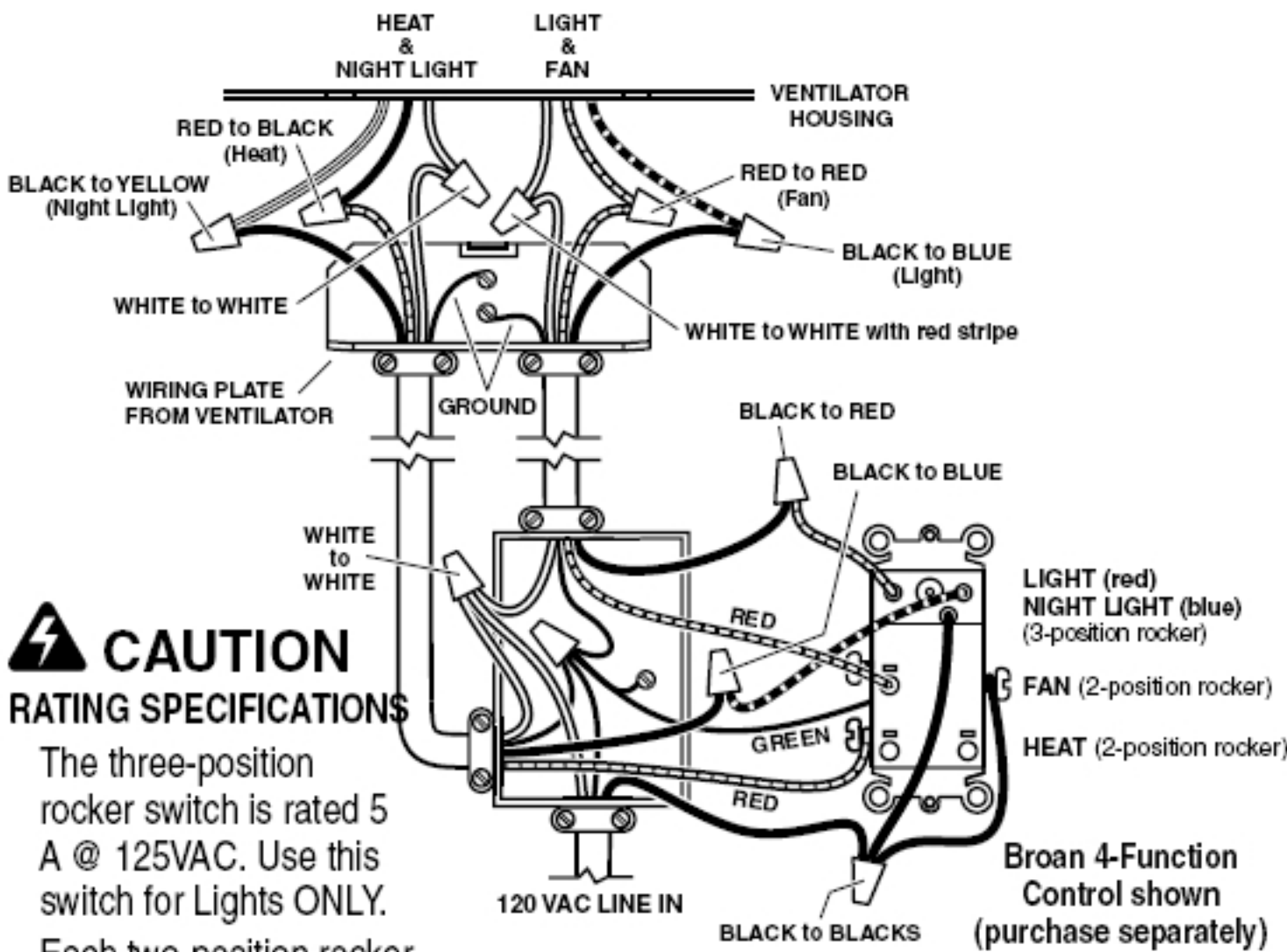


4. Install 6-inch round ductwork.

Connect 6-inch round ductwork to damper / duct connector. Run ductwork to a roof cap or wall cap. Tape all ductwork connections to make them secure and air tight.

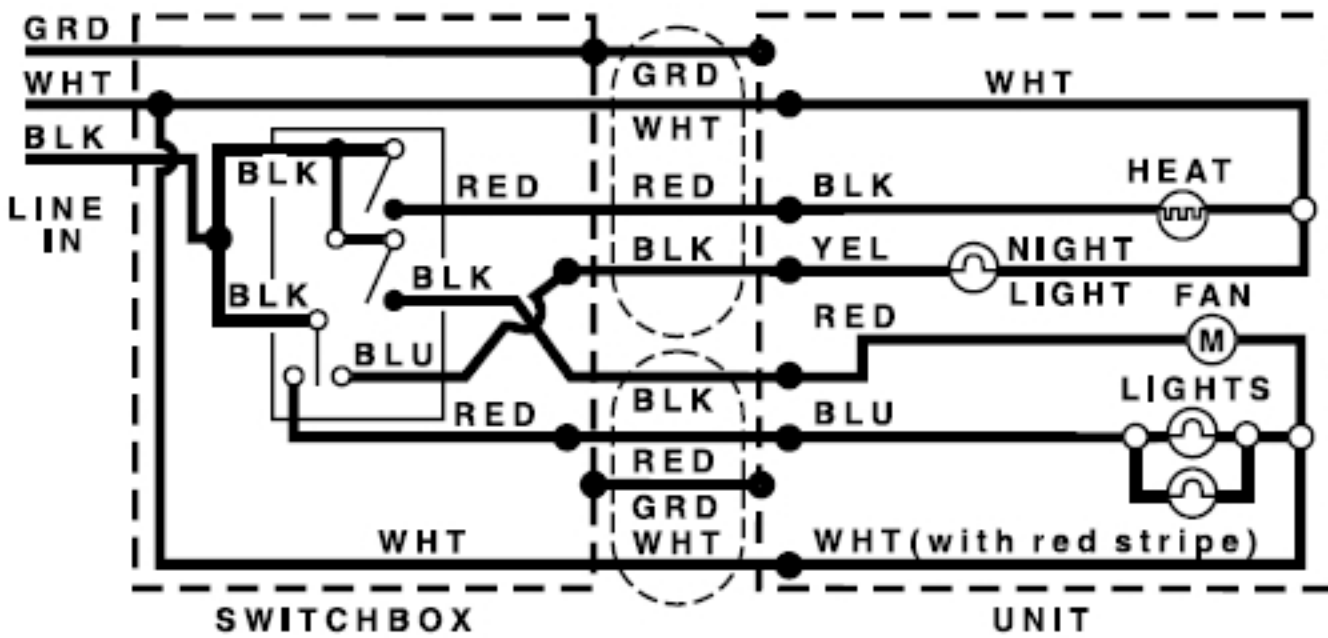


CONNECT WIRING



CAUTION RATING SPECIFICATIONS

The three-position rocker switch is rated 5 A @ 125VAC. Use this switch for Lights ONLY. Each two-position rocker switch is rated 15 A @ 120VAC. Use these switches for Heat and Vent. The total load on this control must not exceed 20 A @ 120VAC.



5. Connect electrical wiring.

Run 120 VAC house wiring to installation location. Use proper UL approved connectors to secure house wiring to wiring plate. Connect wires as shown in wiring diagram(s).

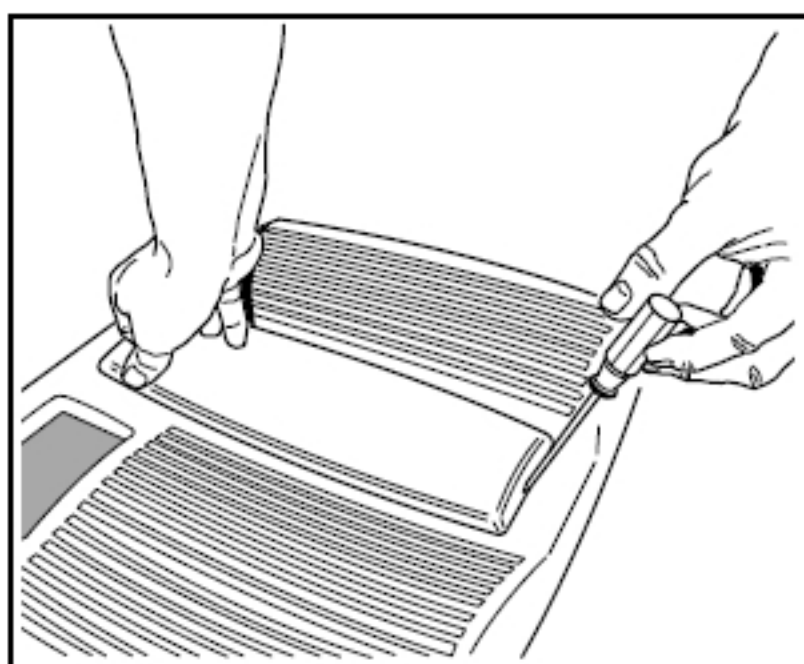
INSTALL GRILLE & BULBS

6. Finish ceiling.

Install ceiling material. Cut out ceiling material closely around housing.

7. Remove light lens from grille.

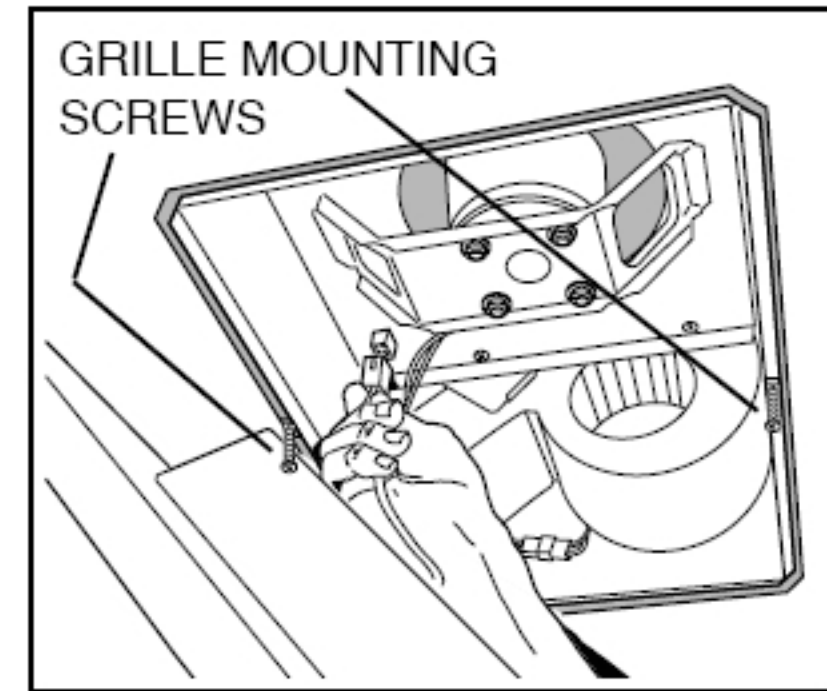
Insert a small flat-bladed screwdriver into the slot at one end of the light lens. Carefully pry the lens out.



INSTALL GRILLE & BULBS

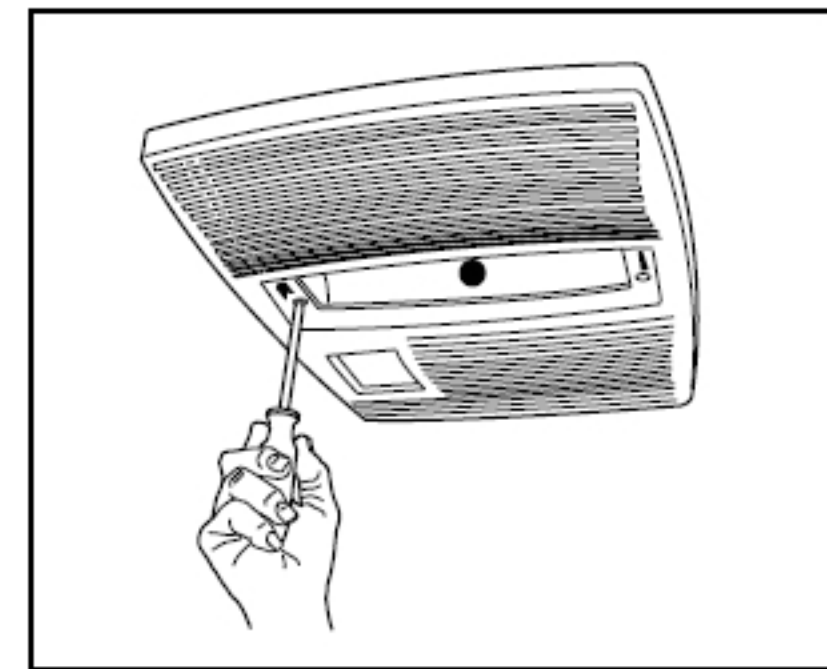
8. Plug-in light.

Hold grille assembly up near housing. Connect light plug from grille assembly to receptacle inside of housing.



9. Attach grille.

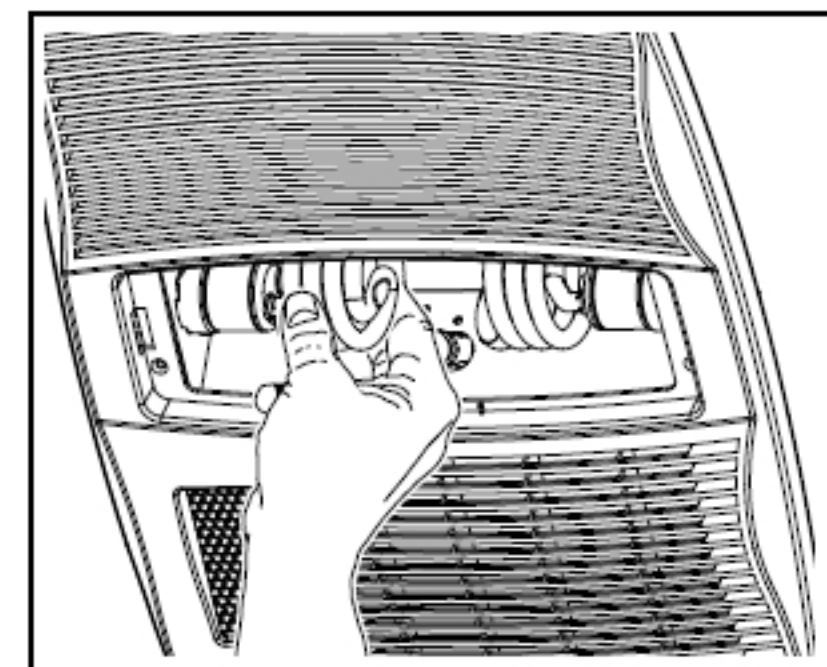
Remove the (2) grille mounting screws from the sides of the housing. (See Step 8 illustration.) Use these screws to attach the grille to the housing as shown.



To avoid damage to the grille: DO NOT OVERTIGHTEN SCREWS. Tighten screws only until grille is snug against ceiling material.

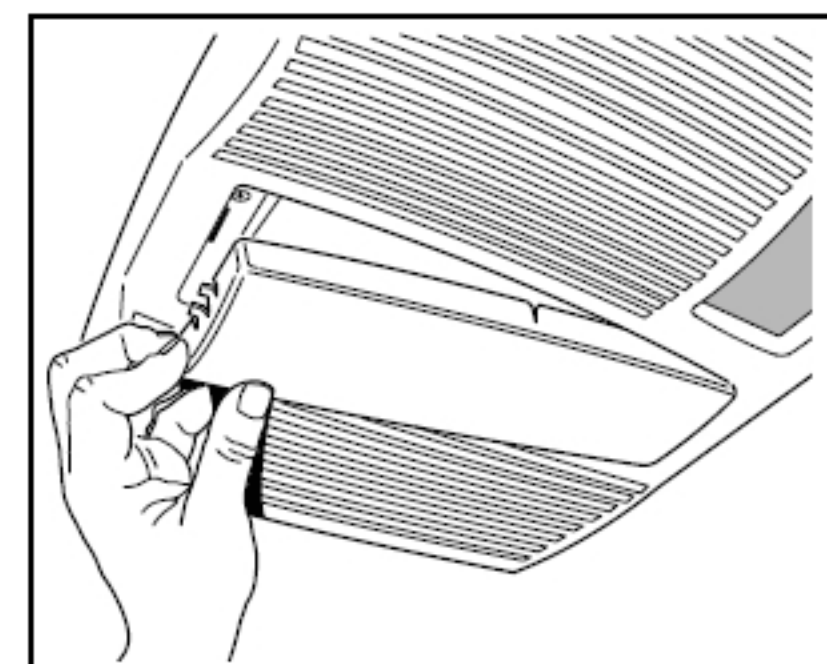
10. Install bulbs.

The unit accepts (2) 18-Watt 3500K (maximum), GU24 based fluorescent bulbs and (1) 7-Watt night light bulb.



11. Attach light lens.

Hook the tabs on one end of the lens into the slot in the grille. Lift other end of lens up and snap into place.



SERVICE PARTS

| Key No. | Part No. | Description |
|---------|----------|--|
| 1 | 97016470 | Housing |
| 2 | 98007763 | Slide Channel (2 req.) |
| 3 | 98003036 | Support Angle (4 req.) |
| 4 | 97016450 | Duct Connector |
| 5 | 99170245 | Screw #8-18 X .375 (8 req.) |
| 6 | 93260454 | Nut, Sheet Metal #8-18 (Partition) (2 req.) |
| 7 | 99260512 | Nut, Sheet Metal #8-18 (Grille) (3 req.) |
| 8 | 98010091 | Cover/KO Panel |
| 9 | 99150471 | Screw, Ground (2 req.) |
| 10 | 97018049 | Wire Panel/Harness Assembly |
| 11 | 98010090 | Wire Compartment |
| 12 | 98010089 | Mounting Bracket-Heater |
| 13 | 99150415 | Screw #8-18 X .250 (4 req.) |
| 14 | 99260488 | Nut, Hex #10-24 (5 req.) |
| 15 | 97016564 | Heater Scroll |
| 16 | 99020283 | Wheel-Heater |
| 17 | 99260423 | Nut, Hex #8-32 (4 req.) |
| 18 | 98010088 | Motor Mount |
| 19 | 99080558 | Motor-Heater |
| 20 | 97016565 | Heating Element (includes Key No. 7) |
| | 97016566 | Heater Scroll Assembly (includes Key Nos. 12 thru 20) |
| 21 | 99020284 | Wheel-Fan |
| 22 | 99080556 | Motor-Fan |
| 23 | 99100491 | Isolator (4 req.) |
| 24 | 97016471 | Partition |
| 25 | 99250959 | Washer (4 req.) |
| 26 | 99260558 | Nut, Hex Lock #8-32 (4 req.) |
| | 97016567 | Blower Assembly (includes Key Nos. 21 thru 26) |
| 27 | 93150459 | Screw #8-18 X .500 (2 req.) |
| 28 | 97018035 | Grille Assembly (includes Key No. 29) |
| 29 | 99111460 | Lens |
| 30 | 99150622 | Screw, Grille #8-18 X 2.000 (2 req.) |
| 31 | 99271381 | Lamp, Fluorescent 18 W, 3500K, GU24 (2 req.) |

