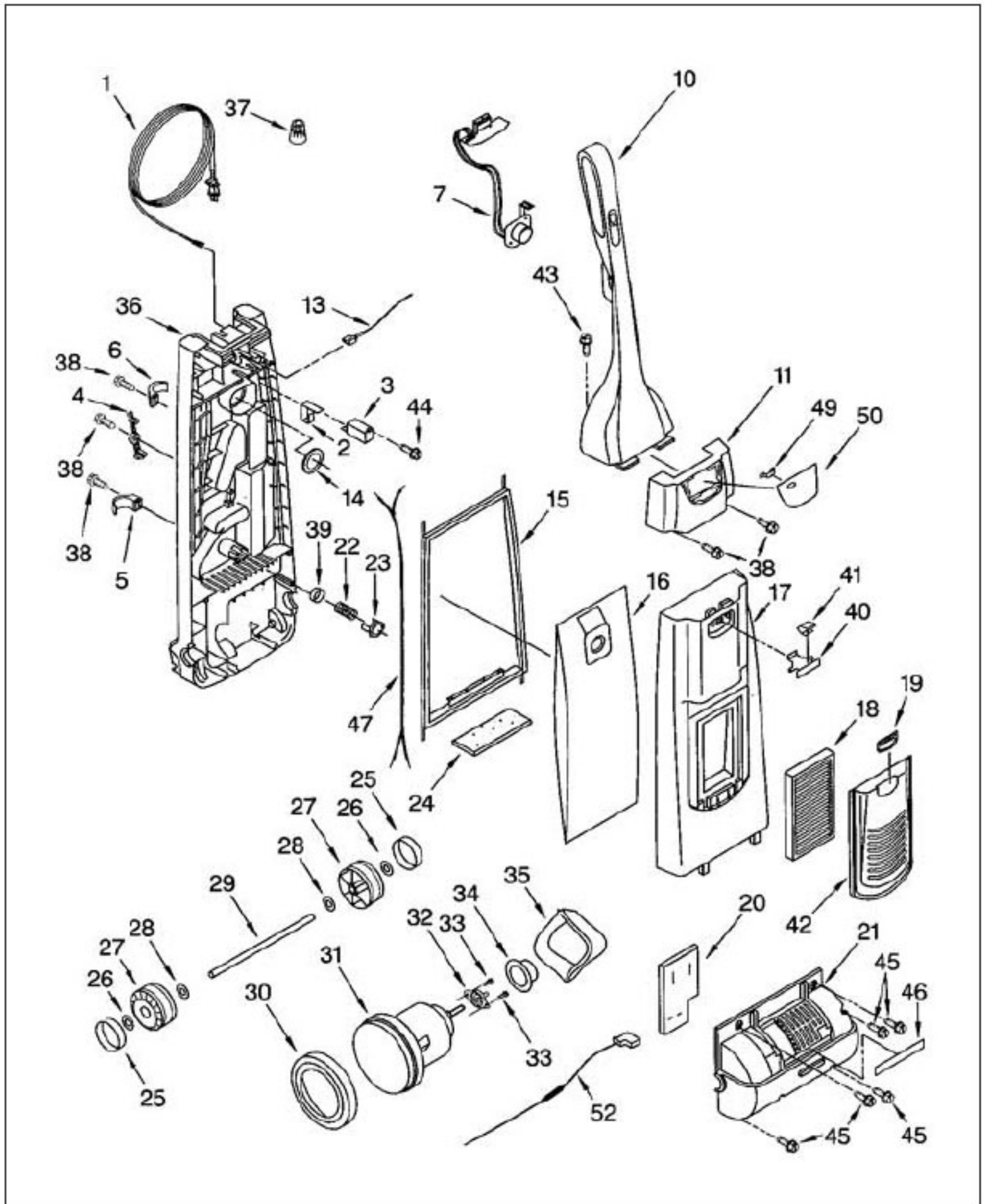


KENMORE Original & Replacement

UPRIGHT VACUUM Model 116.33612300



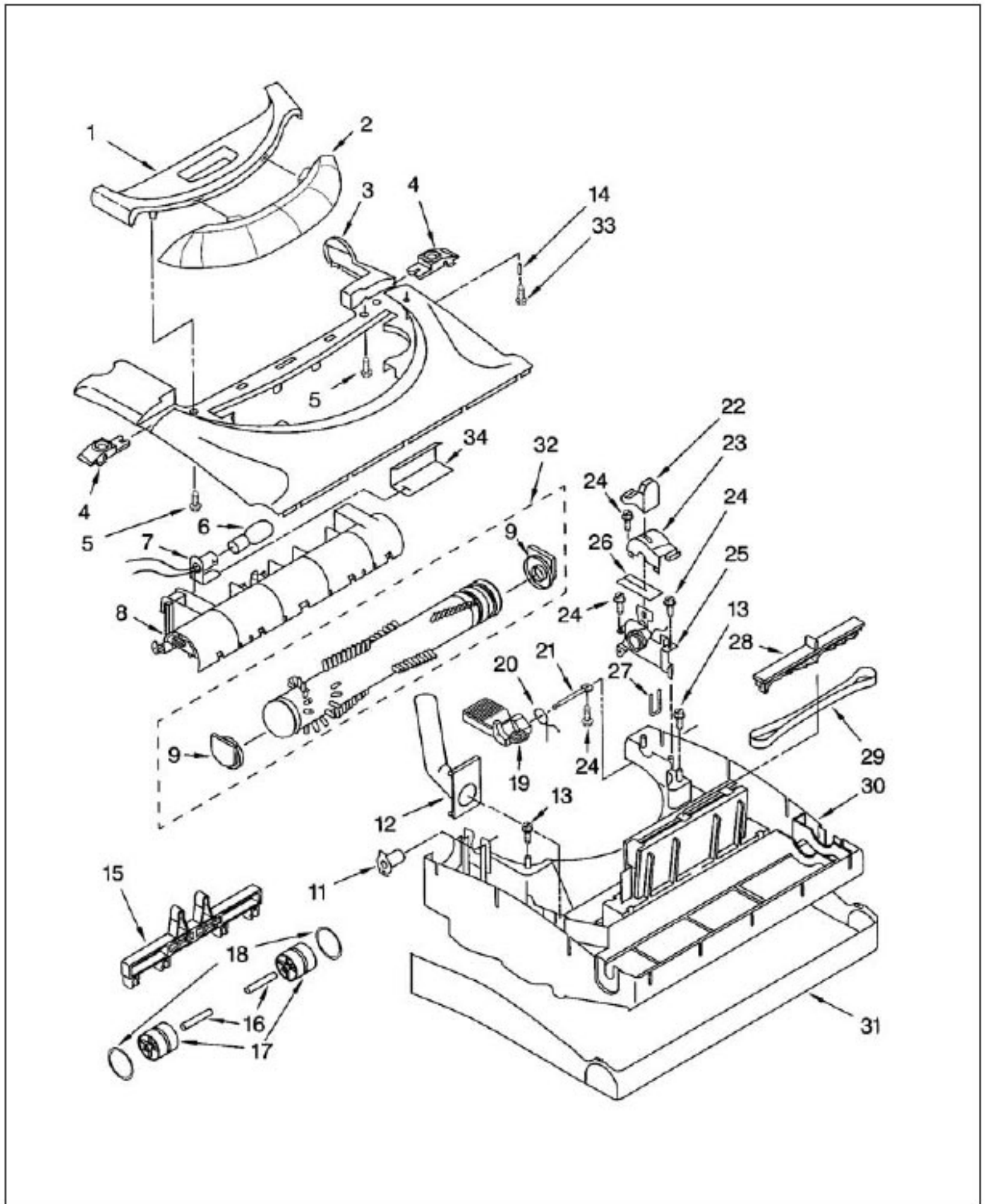
Original & Replacement **KENMORE**
 UPRIGHT VACUUM Model 116.33612300

KEY	PART NO.	DESCRIPTION
1	KE-8192561	Cord, power
2	KE-4370396	Lever, on-off switch
3	KE-4368653	On-off switch, above, floor
4	KE-4370400	Holder
5	KE-4370399	Holder, hose
6	KE-4370392	Holder, wand
7	KE-8191534	Pcb assembly
10	KE-8192562	Handle assembly (complete)
11	KE-8192563	Cover, switch
13	KE-4370427	Wire, black lead
14	KE-4370575	Suction inlet packing
15	KE-4370428	Packaging , dust container
16	KER-1468A	Dust bag sears no. 20-50690
17	KE-8192564	Cover, dust
18	KER-1800	Filter sears no. 20-86889
19	KE-4370416	Latch, filter cover
20	KE-8191637	Filter, exhaust
21	KE-8192565	Case, motor
22	KE-4370407	Spring ,protector
23	KE-4370408	Cover, protector
24	KE-4370432	Filter - sears no. 20-86884
25	KE-4370240	Cushion, rubber
26	KE-4369564	Stopper, wheel (2)
27	KE-4370177	Wheel, rear
28	KE-4369562	Washer, wheel
29	KE-4369561	Shaft, rear wheel
30	KE-4370404	Support, rubber mount (front)
31	KE-8191638	Motor, fan
32	KE-4370266	Flange, motor
33	KE-8191785	Screw, belt guard
34	KE-4370265	Support, rubber motor (front)
35	KE-4369569	Suppoessor, noise
36	KE-8191914	Compartment, dust
37	SS-3270	Wire Nut
38	KE-4368563	Screw, motor, case mounting
39	KE-4370429	Latch, dust cover
40	NLA	Latch, dust cover
41	KE-4369097	Spring, latch
42	KE-8192566	Cover, filter
43	KE-4370420	Screw, handle
44	KE-4370280	Screw, motor case mounting
45	KE-4368563	Screw, motor, case mounting
46	NLA	Packing, motor case (adhesive back)
47	KE-4370465	Wire, cord
49	KE-4370570	Indicator, lens
50	KE-8192567	Plate, ornamental
52	KE-8191589	Lead wire, assembly

NLA = No Longer Available

KENMORE Original & Replacement

UPRIGHT VACUUM Model 116.33612300



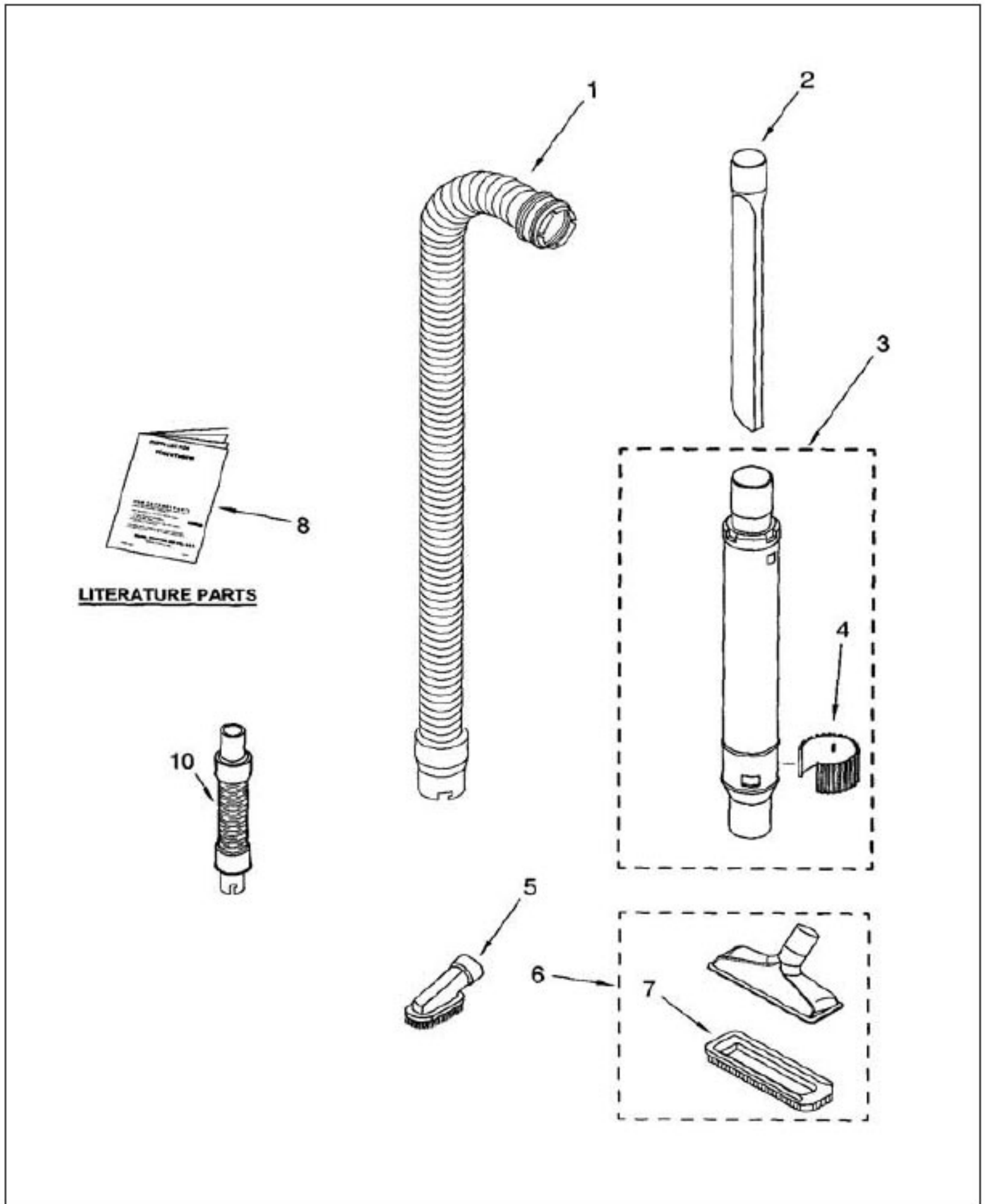
Original & Replacement **KENMORE**
 UPRIGHT VACUUM Model 116.33612300

KEY	PART NO.	DESCRIPTION
1	KE-8191879	Cover, light
2	KE-4370410	Window
3	KE-8192557	Housing, nozzle
4	NLA	Latch, nozzle left side
4A	NLA	Latch, nozzle right side
5	KE-4368563	Screw, motor, case mounting
6	FA-3515	Bulb, light sears no. 20-5240
7	KE-4369526	Socket, bult
8	KE-8174976	Cover, agitator, brush
9	KE-8192018	Bearing holder
11	KE-4369527	Shaft, wheel
12	KE-4370263	Bearing, nozzle
13	KE-4369606	Screw, retaining
14	KE-4370425	Wheel
15	KE-4369543	Cam, height adjustment
16	KE-4369499	Shaft, roller (2)
17	KE-4370182	Wheel, cam (2)
18	KE-4370183	Cushion, cam rubber
19	KE-4370394	Pedal
20	KE-4370258	Spring, pedal
21	KE-4370259	Shaft, pedal
22	KE-4370260	Cover, foot pedal
23	NLA	Cover, belt
24	KE-4368563	Screw, motor, case mounting
25	KE-8195180	Shifter, belt
26	KE-4370544	Nozzle, packing
27	KE-4369535	Guard, belt
28	KE-4369542	Sliding knob height adjustment
29	PR-1015	Belt, sears no. 20-5275
30	KE-8174966	Lower plate assembly
31	KE-8174967	Guard, furniture
32	KE-8192015	Agitator assembly
33	KE-8191810	Screw, 8-24 x 1 (2)
34	KE-4370433	Reflector , nozzle

NLA = No Longer Available

KENMORE Original & Replacement

UPRIGHT VACUUM Model 116.33612300



Original & Replacement **KENMORE**
UPRIGHT VACUUM Model 116.33612300

KEY	PART NO.	DESCRIPTION
1	KE-4370401	Hose, flexible
2	KE-4368684	Tool, crevice *sears no. 20-52631
3	KE-4369868	Wand, telescopic
4	KE-4368996	Regulatory, suction
5	KE-4368681	Brush, combination
6	KE-4368609	Brush ,combination
7	KE-4368610	Holder, brush
10	KE-8191834	Hose unit

NLA = No Longer Available