

This Owner's Manual is provided and hosted by [Appliance Factory Parts](http://www.ApplianceFactoryParts.com).



BROAN QTX110 SL Owner's Manual

[Shop genuine replacement parts for BROAN QTX110
SL](#)



[Find Your BROAN HVAC Parts - Select From 1309 Models](#)

----- Manual continues below -----

BROAN®

HUMIDITY SENSING FAN / LIGHT / NIGHT LIGHT

To req

READ AND SAVE THE

WARNING



TO REDUCE THE RISK OF FIRE, ELECTRIC SHOCK, OR INJURY TO PERSONS, OBSERVE THE FOLLOWING:

1. Use this unit only in the manner intended by the manufacturer. If you have questions, contact the manufacturer at the address or telephone number listed in the warranty.
2. Before servicing or cleaning unit, switch power off at service panel and lock the service disconnecting means to prevent power from being switched on accidentally. When the service disconnecting means cannot be locked, securely fasten a prominent warning device, such as a tag, to the service panel.
3. Installation work and electrical wiring must be done by a qualified person(s) in accordance with all applicable codes and standards, including fire-rated construction codes and standards.
4. Sufficient air is needed for proper combustion and exhausting of gases through the flue (chimney) of fuel burning equipment to prevent backdrafting. Follow the heating equipment manufacturer's guideline and safety standards such as those published by the National Fire Protection Association (NFPA), and the American Society for Heating, Refrigeration and Air Conditioning Engineers

OPERATION

The humidity control operated separately. Use the operation wall control. Do not use the wall switch to operate the humidity control or light. See "Connect Wiring" for details.

SENSOR OPERATION

This humidity-sensing sensor is designed for (a) rapid to moderate humidity change and (b) humidity above a relative humidity set-point. (The sensor will respond with "SENSITIVITY" adjustments) will occasionally turn on when humidity conditions change. If the sensor does not respond to changing environmental conditions, "SENSITIVITY" adjustments may be required (see section below).

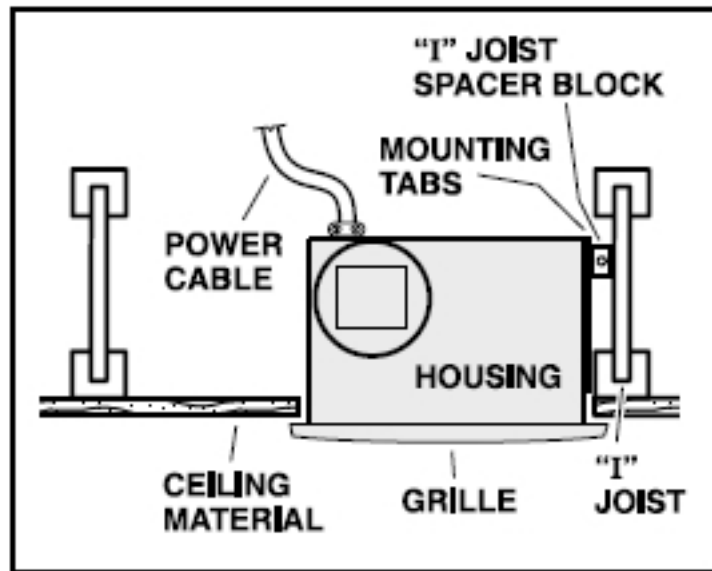
STATUS INDICATOR

This indicator can only be checked by looking directly at it. Normal mode is on and off. If it blinks rapidly then off, check sensor connection and fan housing.

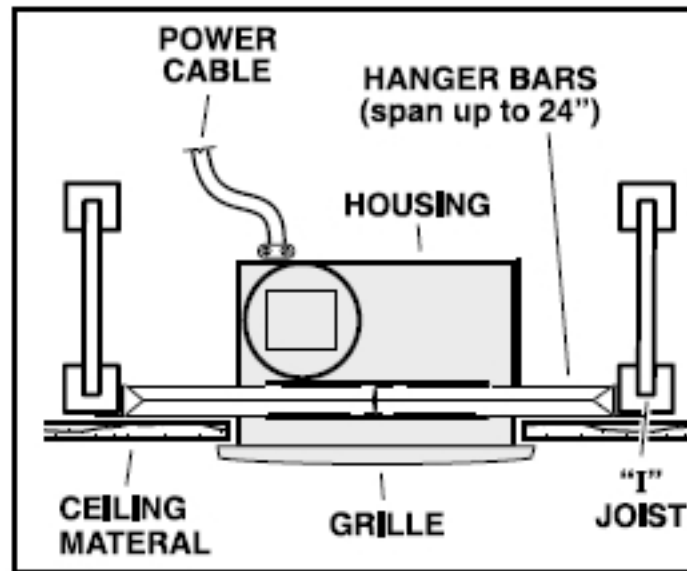
MANUAL ON WITH TIMER

For odor or vapor control, the unit is energized by cycling its wall switch. If one is installed, Once

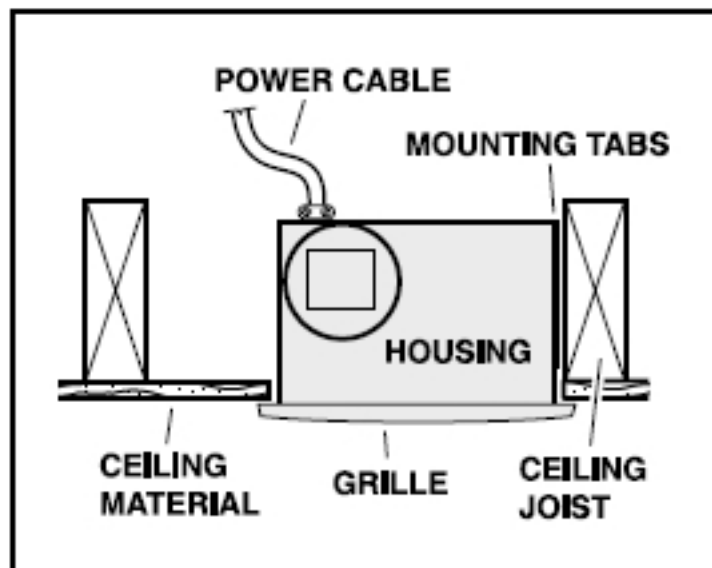
TYPICAL INSTALLATIONS



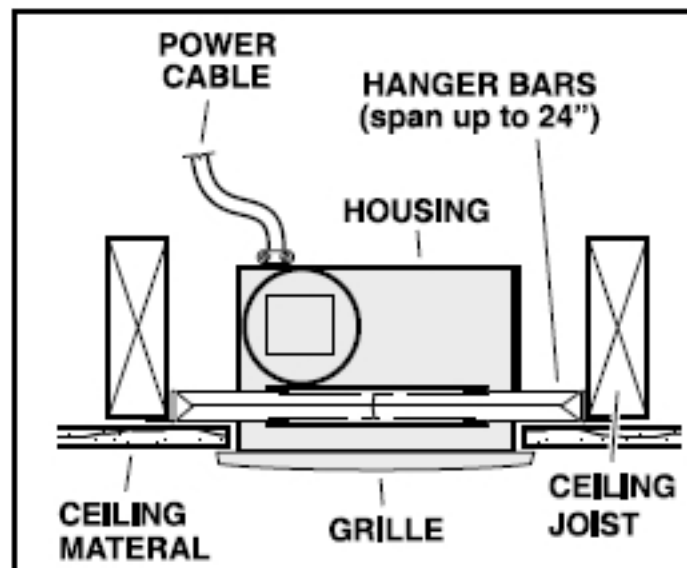
Housing mounted to I-joists.



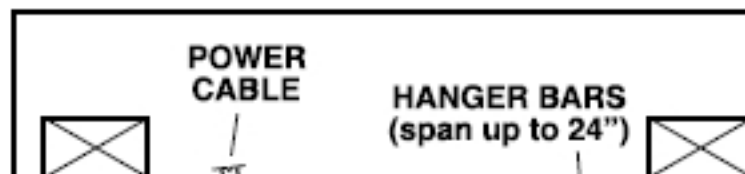
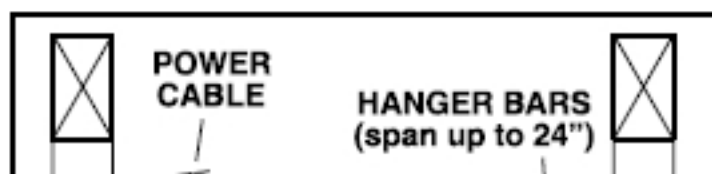
Housing mounted anywhere between I-joists using hanger bars.



Housing mounted to joists.

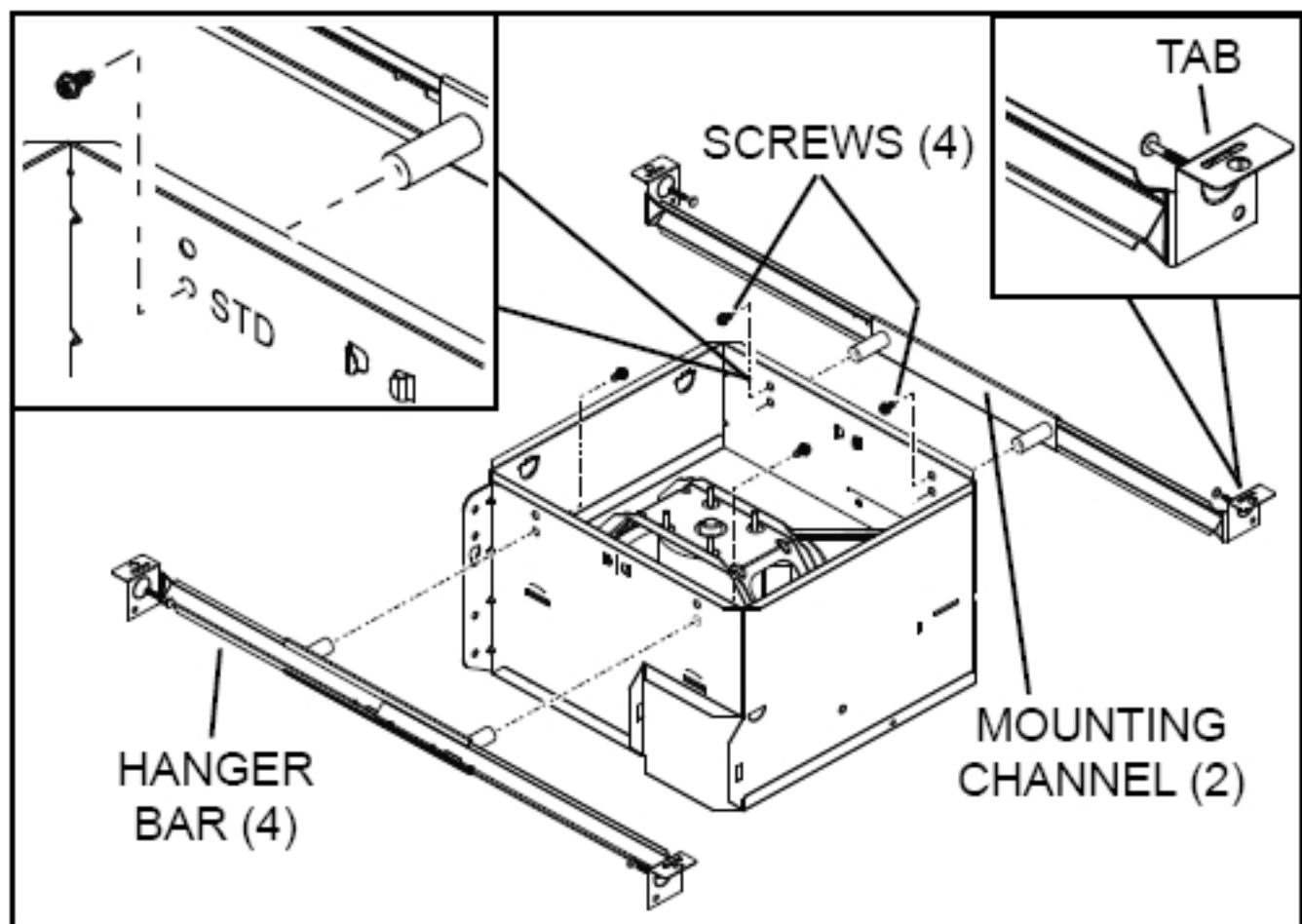


Housing mounted anywhere between joists using hanger bars.



1b. Mount housing anywhere between trusses, joists, or I-joists using hanger bars.

Sliding hanger bars are provided to allow for accurate positioning of housing anywhere between framing. They can be used on all types of framing (I-joist, standard joist, and truss construction) and span up to 24".



Attach the MOUNTING CHANNELS to the housing using the SCREWS supplied. Make sure TABS face "up" as shown. Use the set of channel mounting holes (marked "STD") to mount the housing flush with the bottom of the drywall. Use the other set of holes (not marked) to mount the housing flush with the top of the drywall.

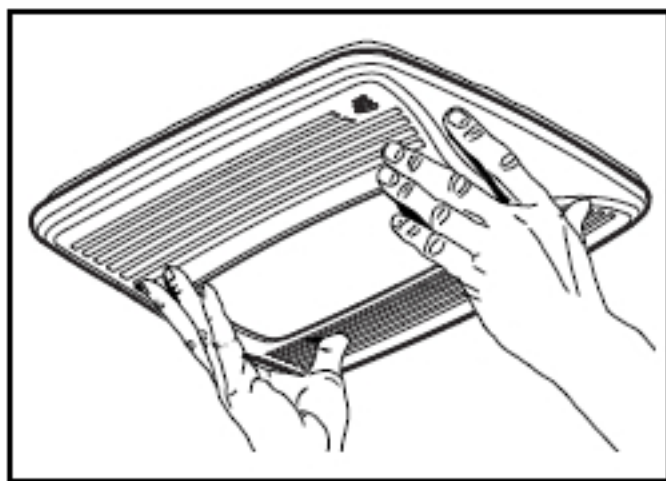
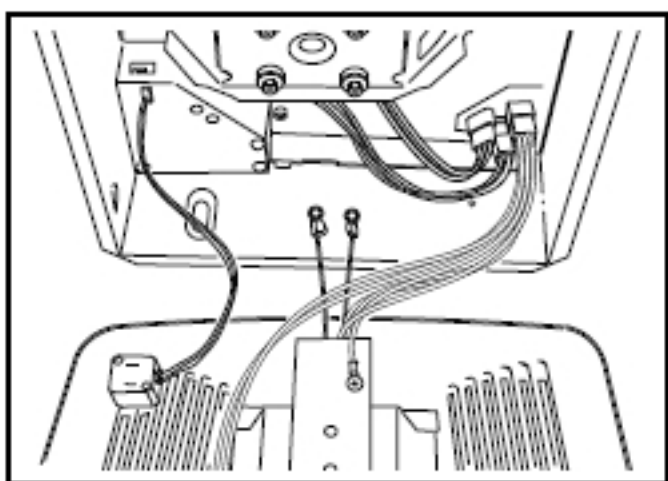
INSTALL GRILLE

6. Finish ceiling.

Install ceiling material. Cut out around housing.

7. Plug in wiring.

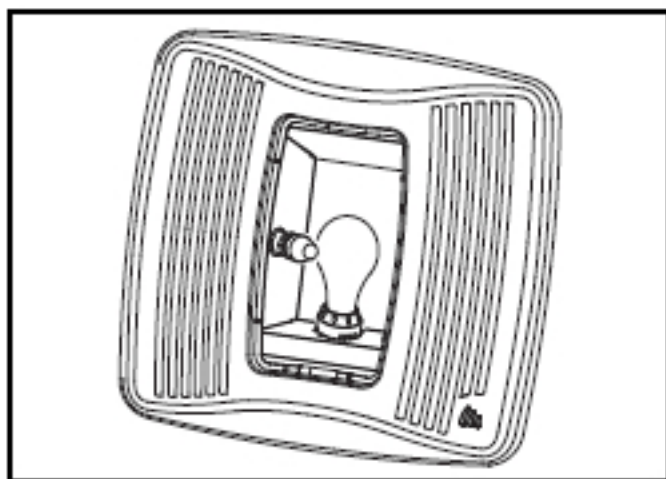
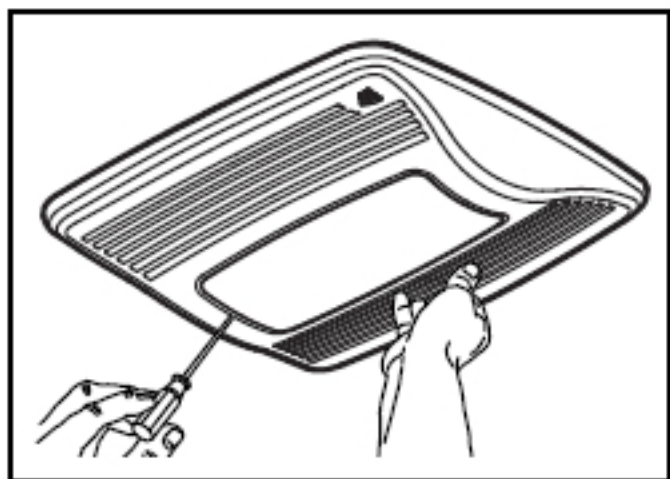
Plug wiring into the proper receptacles.



8. Attach grille to housing.

Squeeze grille springs and insert them into slots on each side of housing.

9. Push grille against ceiling.



10. Remove light lens.

Carefully insert a small

11. Install light bulbs.

Purchase an incandescent