

This Owner's Manual is provided and hosted by [Appliance Factory Parts](#).



# BROAN 505 Owner's Manual

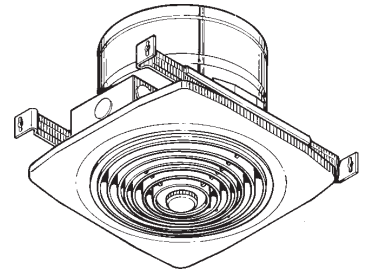
[Shop genuine replacement parts for BROAN 505](#)



[Find Your BROAN HVAC Parts - Select From 1309 Models](#)

----- Manual continues below -----

# MODELS 504 & 505 VERTICAL DISCHARGE FANS



**Efficient, high-performance for ceiling installations. Offered in two sizes to meet various room requirements.**

### FEATURES

#### GRILLE:

- Contemporary styling for modern homes
- White polymeric grilles can be painted to match any decor
- Aluminum filter available - purchase separately

#### MOTOR:

- Permanently lubricated, thermally protected, plug-in motor
- Specially designed fiberglass-reinforced fan blades
- Motor assembly offers fast, easy "twist-lock" installation

#### HOUSING:

- Housing 25 gage finished with rugged electrically-bonded epoxy paint
- Model 505 (8" model) has built-in backdraft damper
- Adjustable mounting brackets with keyhole slots span 14" to 24"
- Model 472 Reducer-Damper available separately—allows Model 504 to use 8" round duct and adds a damper

### SPECIFICATIONS

MODEL	VOLTS	AMPS	RPM	SONES	CFM	DUCT
504	120	1.7	1600	6.5	350	10" Rd.
505	120	1.5	1975	6.5	180	8" Rd.



HVI-2100 CERTIFIED RATINGS comply with new testing technologies and procedures prescribed by the Home Ventilating Institute, for off-the-shelf products, as they are available to consumers. Product performance is rated at 0.1 in. static pressure, based on tests conducted in AMCA's state-of-the-art test laboratory. Sones are a measure of humanly-perceived loudness, based on laboratory measurements.



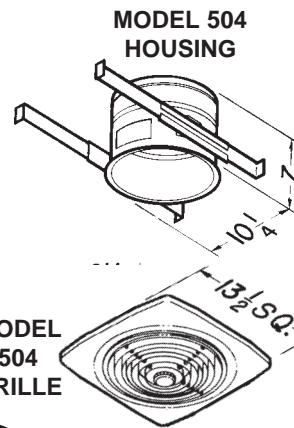
### TYPICAL SPECIFICATION

Ventilator shall be Broan Model 504 (Model 505). Ventilator shall duct vertically, to an outside roof cap. Can be controlled with toggle switch (speed control).

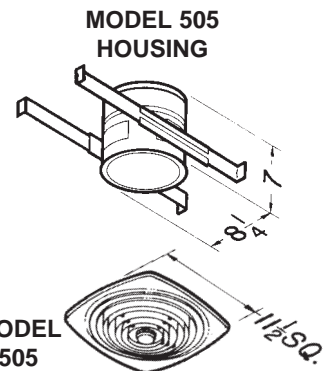
Ventilator shall have steel housing finished with electrically-bonded epoxy paint. Grille to be white polymeric.

Motor assembly shall be removable and permanently lubricated. RPM shall not exceed 1600 (Model 504), (1975 RPM – Model 505).

Air delivery shall be no less than 350 CFM and sound levels no greater than 6.5 Sones (Model 504) (180 CFM and 5.5 Sones – Model 505). All air and sound ratings shall be certified by HVI. Units shall be U.L. listed.



MODEL 504 HOUSING  
MODEL 504 GRILLE



MODEL 505 HOUSING  
MODEL 505 GRILLE

Broan-NuTone LLC, 926 West State Street, Hartford, WI 53027 (1-800-637-1453)

REFERENCE	QTY.	REMARKS	Project
			Location
			Architect
			Engineer
			Contractor
			Submitted by <span style="float: right;">Date</span>