

This Owner's Manual is provided and hosted by [Appliance Factory Parts](#).



BROAN 12C Owner's Manual

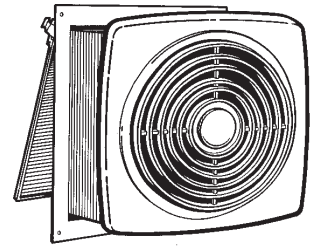
[Shop genuine replacement parts for BROAN 12C](#)



[Find Your BROAN HVAC Parts - Select From 1309 Models](#)

----- Manual continues below -----

MODEL 12C MOTORDOR™



An updated version of Broan's first product.

FEATURES

GRILLE:

- Contemporary styled grilles complement modern decor
- White polymeric grilles can be painted to match any decor
- Aluminum filter available - purchase separately

MOTOR:

- Permanently lubricated, thermally protected, plug-in motor
- Specially designed blade gives improved performance at lower sound levels
- Polymeric fan blade will not distort - stays in balance for quiet performance

HOUSING:

- Housing features foam insulated door for energy efficiency
- Separate motor opens door when fan is turned on; closes door when turned off
- Steel housing finished with rugged black electrically-bonded epoxy paint
- Adjusts to fit walls from 5½" to 9-7/8" thick

SPECIFICATIONS

MODEL	VOLTS	AMPS	RPM	SONES	CFM
12C	120	1.7	1500	8.0	360



HVI-2100 CERTIFIED RATINGS comply with new testing technologies and procedures prescribed by the Home Ventilating Institute, for off-the-shelf products, as they are available to consumers. Product performance is rated at 0.1 in. static pressure, based on tests conducted in AMCA's state-of-the-art test laboratory. Sones are a measure of humanly-perceived loudness, based on laboratory measurements.



TYPICAL SPECIFICATION

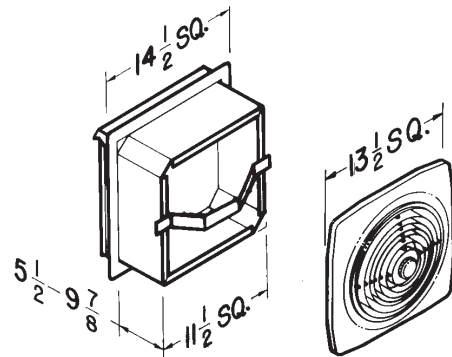
Ventilator shall be Broan Model 12C.

Ventilator shall duct directly through an outside wall from 5½" to 9-7/8" thick. Unit shall be controlled with a toggle switch (speed control).

Ventilator shall have steel housing finished with electrically-bonded epoxy paint. Grille to be white polymeric.

Motor assembly shall be removable and permanently lubricated. RPM shall not exceed 1500.

Air delivery shall be no less than 360 CFM and sound levels no greater than 8.0 Sones. All air and sound ratings shall be certified by HVI. Units shall be U.L. listed.



Broan-NuTone LLC, 926 West State Street, Hartford, WI 53027 (1-800-637-1453)

REFERENCE	QTY.	REMARKS	Project
			Location
			Architect
			Engineer
			Contractor
			Submitted by Date