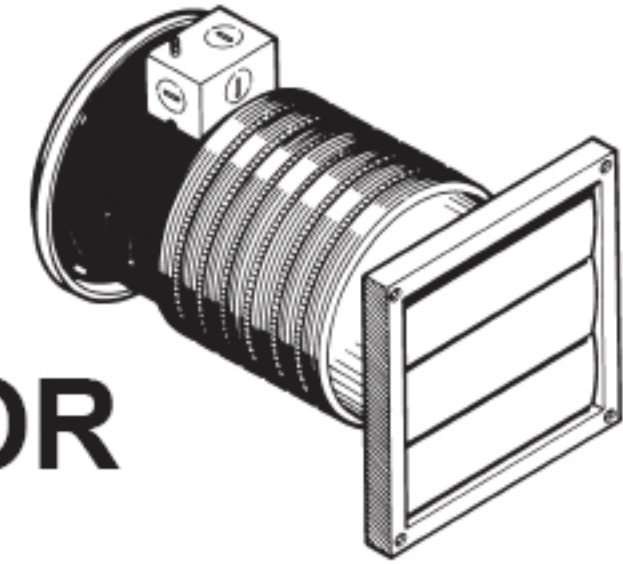




MODELS 512M, 512MMX THROUGH-THE-WALL VENTILATOR



READ AND SAVE THESE INSTRUCTIONS

WARNING

TO REDUCE THE RISK OF FIRE, ELECTRIC SHOCK, OR INJURY TO PERSONS, OBSERVE THE FOLLOWING:

1. Use this unit only in the manner intended by the manufacturer. If you have questions, contact the manufacturer at the address or telephone number listed below the warranty.
2. Before servicing or cleaning unit, switch power off at service panel and lock the service disconnecting means to prevent power from being switched on accidentally. When the service disconnecting means cannot be locked, securely fasten a prominent warning device, such as a tag, to the service panel.
3. Installation work and electrical wiring must be done by qualified person(s) in accordance with all applicable codes and standards, including fire-rated construction codes and standards.
4. Sufficient air is needed for proper combustion and exhausting of gases through the flue (chimney) of fueling equipment to prevent backdrafting. Follow the heating equipment manufacturer's guideline and safety standards such as those published by the National Fire Protection Association (NFPA), and the American Society for Heating, Refrigeration and Air Conditioning Engineers (ASHRAE), and the local code authorities.

WARNING

5. When cutting or drilling into wall or ceiling, do not damage electrical wiring and other hidden utilities.
6. Ducted fans must always be vented to the outdoors.
7. To reduce the risk of fire, use only metal ductwork.
8. This unit must be grounded.

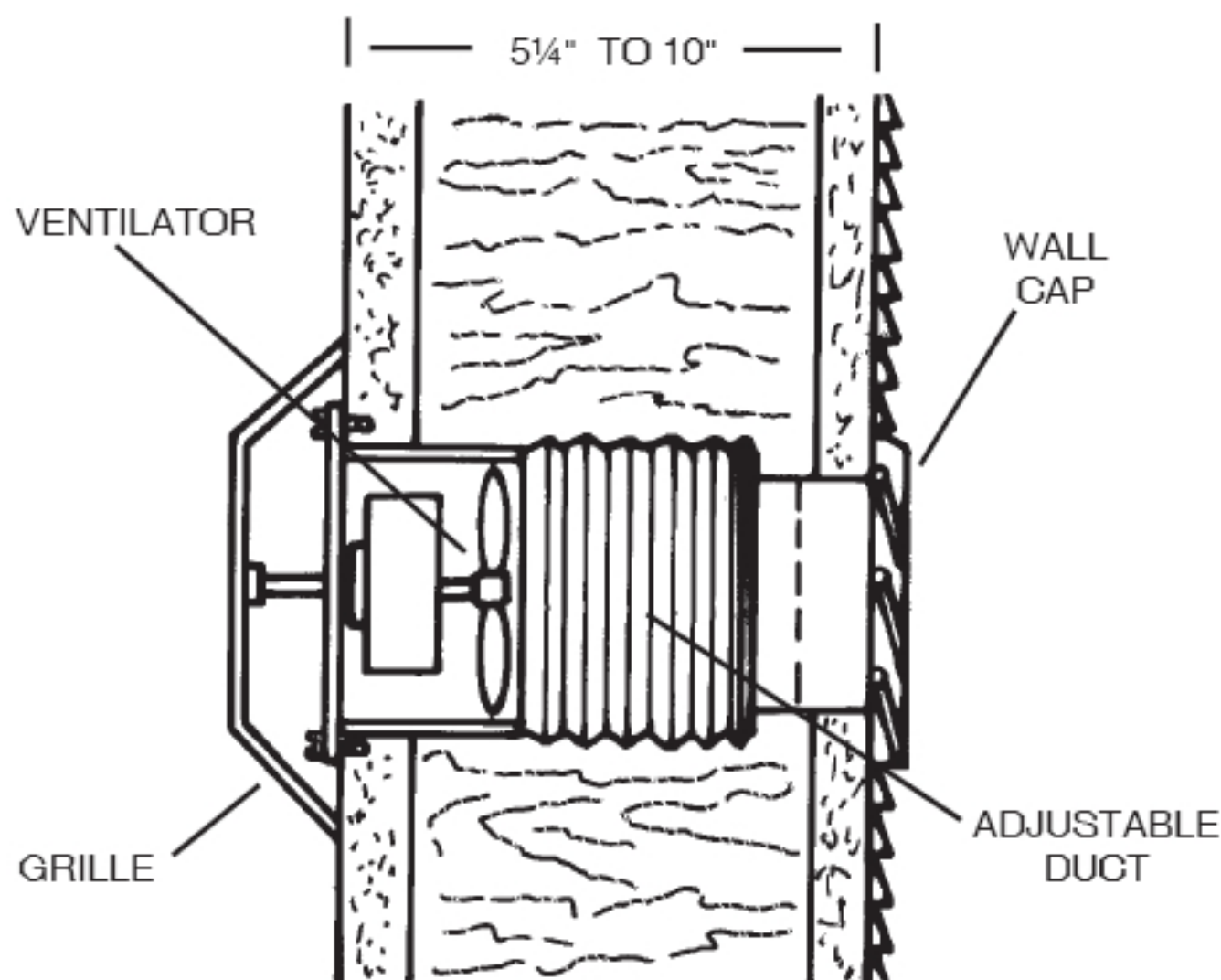
CAUTION

1. For general ventilating use only. Do not use to exhaust hazardous or explosive materials and vapors.
2. To avoid motor bearing damage and noisy and/or unbalanced impellers, keep drywall spray, construction dust, etc. off power unit.
3. Please read specification label on product for further information and requirements.

PLAN THE INSTALLATION

The ventilator can be installed in outside walls up to 10" thick. Walls less than 6" thick will not use the adjustable duct. Choose a location with no obstructions, such as wall studs, plumbing or electrical wiring.

The ventilator can be controlled using a wall switch or speed control (available separately).



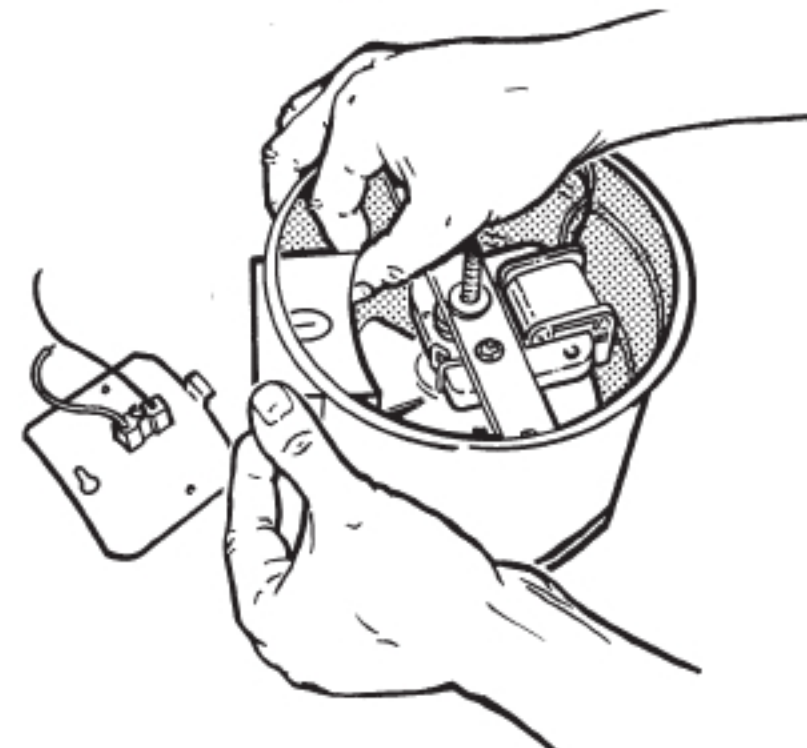
INSTALL THE VENTILATOR

WARNING: WHEN CUTTING OR DRILLING INTO WALL, DO NOT CUT EXISTING ELECTRICAL WIRING.

CAUTION: Do not mount the ventilator above a cooking surface.

CAUTION: Measure and mark the center of wall opening on inside and outside walls before cutting opening.

1. Cut a 6" diameter opening in the wall.



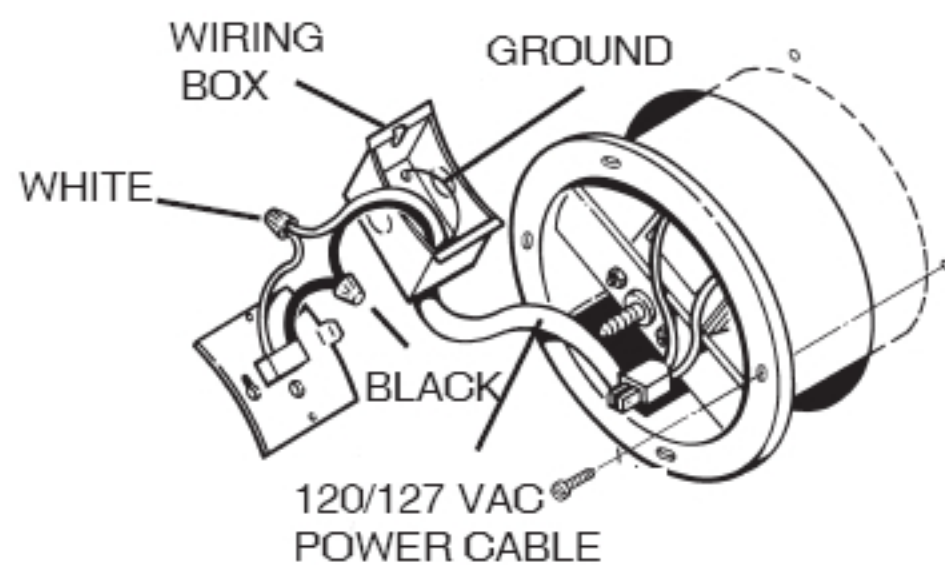
2. Unplug motor, loosen screw and remove electrical wiring box cover.
3. Push electrical wiring box into housing and lift out.

Note: For easier removal of wiring box, remove the motor assembly. Loosen the mounting screws and rotate the motor assembly clockwise.

WIRE THE VENTILATOR

WARNING:

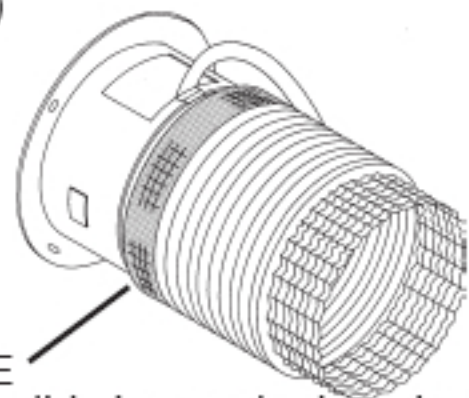
SWITCH POWER OFF AT SERVICE PANEL AND LOCK SERVICE PANEL BEFORE MAKING ELECTRICAL CONNECTIONS.



1. Attach power cable to electrical wiring box and switch box using the proper connector for the type of cable being used.
2. Make electrical connections. Connect black to black, white to white and bare or green wire to electrical wiring box using the green ground screw.

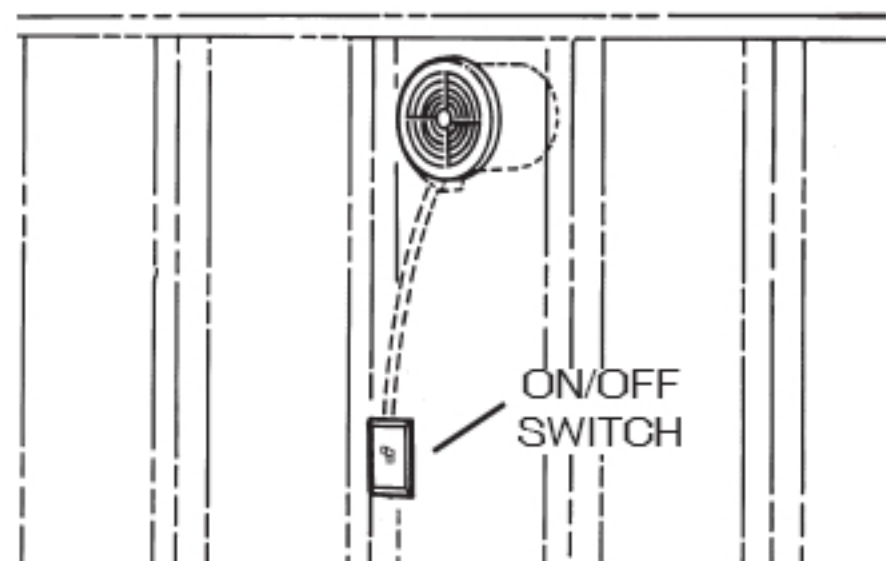
CONNECT THE DUCT

(FOR WALLS 6" TO 10" THICK ONLY - INCLUDING INSIDE AND OUTSIDE WALL COVERINGS)



1. Stretch the adjustable duct, slide it over the housing and tape it in place. (You may need to shorten non-tapered end of flexible duct to fit.)

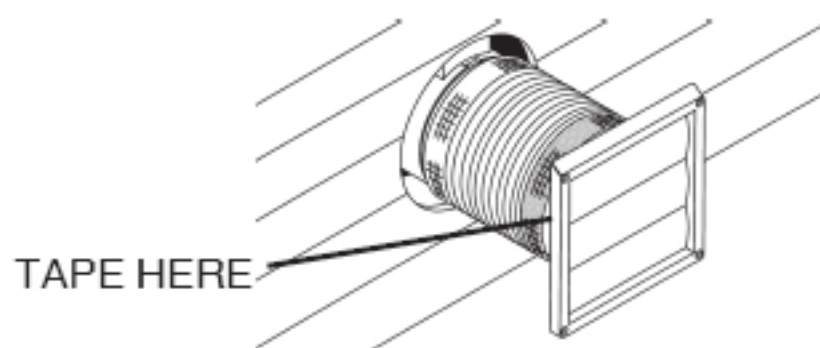
INSTALL VENTILATOR IN WALL



1. Place ventilator into wall opening. Re-install electrical wiring box and cover. Plug motor into receptacle in wiring box cover.
2. Fasten ventilator to inside wall with appropriate screws.

ATTACH WALL CAP

(FOLLOW STEPS 1 & 2 ONLY IF ADJUSTABLE DUCT IS USED)



1. From outside, slip adjustable duct into wall cap and tape the joint.
2. Compress the excess duct back into the opening by positioning the wall cap against the outside wall.
3. Fasten wall cap to outside wall and caulk around the edges.

ATTACH GRILLE



1. Spin grille onto its mounting screw until the grille is tight against the wall.
2. Turn on the power and check for proper operation of ventilator.

USE AND CARE

WARNING: SWITCH OFF POWER AT SERVICE PANEL AND LOCK SERVICE PANEL BEFORE CLEANING OR SERVICING THIS VENTILATOR.

TO CLEAN FAN ASSEMBLY:

Unplug motor from black receptacle. Remove the motor assembly by loosening the mounting screws and rotating the motor assembly clockwise.

Gently vacuum motor assembly and inside of housing.

METAL AND ELECTRICAL PARTS SHOULD NEVER BE IMMERSSED IN WATER.

PERIODICALLY CHECK THE OUTER LOUVER FOR ACCUMULATED DUST, LINT, ETC., WHICH MAY INTERFERE WITH PROPER LOUVER CLOSURE.

WARNING: DO NOT SPRAY WATER INTO LOUVER-DAMAGE TO THE FAN COULD OCCUR AND WATER COULD ENTER HOUSE.

MOTOR LUBRICATION

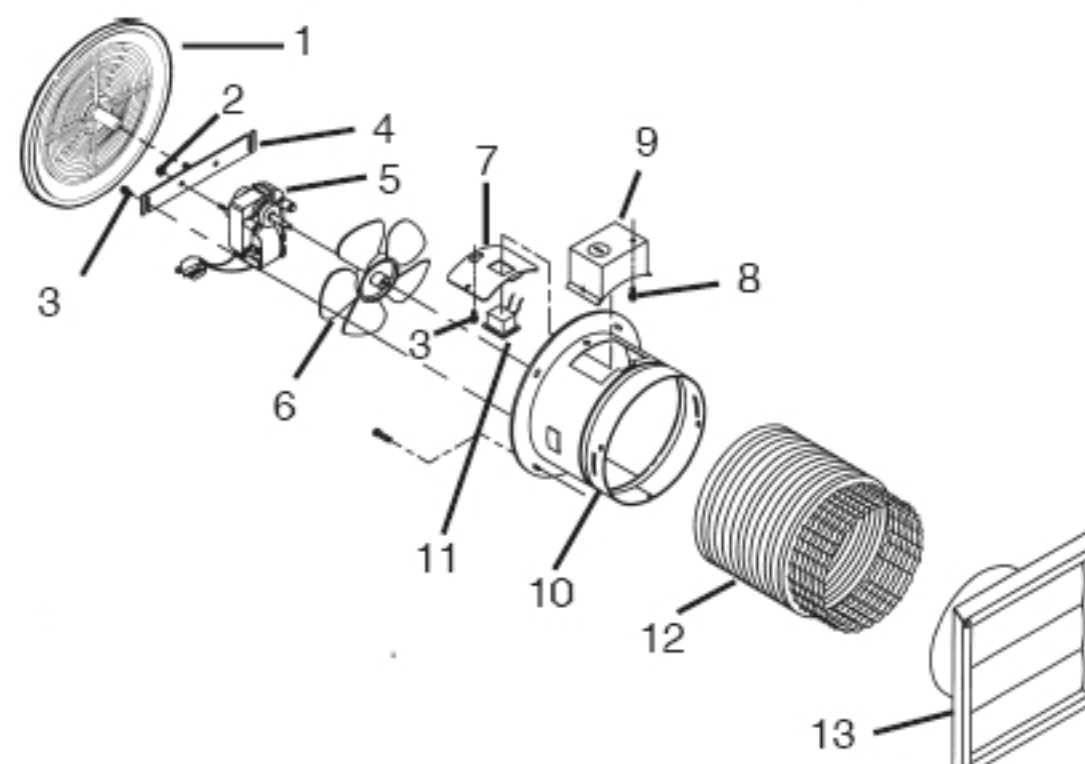
The motor is permanently lubricated. Do not oil or disassemble motor.

SERVICE PARTS

Models 512M, 512MMX

KEY NO.	PART NO.	DESCRIPTION
1	99110454	Grille
2	99260428	#6-32 Sheet Metal Nut (2 req.)*
3	99170245	#8B x 3/8 Sheet Metal Screw (3 req.)*
4	97005322	Motor Mounting Bracket 97005322
5	99080199	Motor (512M)
	99080547	Motor (512MMX)
6	99020125	Blade
7	98004932	Wiring Box Cover
8	99150471	#10-32 x 1/2 Green Ground Screw*
9	98005329	Wiring Box
10	97011741	Housing
11	99270982	Receptacle
12	99610012	Adjustable Duct
13	97011740	Wall Cap

* Standard Hardware - May be purchased locally. Always order replacement parts by "PART NO." - NOT by "KEY NO."



BROAN-NUTONE ONE YEAR LIMITED WARRANTY

Broan-NuTone warrants to the original consumer purchaser of its products that such products will be free from defects in materials or workmanship for a period of one year from the date of original purchase. THERE ARE NO OTHER WARRANTIES, EXPRESS OR IMPLIED, INCLUDING, BUT NOT LIMITED TO, IMPLIED WARRANTIES OF MERCHANTABILITY OR FITNESS FOR A PARTICULAR PURPOSE.

During this one-year period, Broan-NuTone will, at its option, repair or replace, without charge, any product or part which is found to be defective under normal use and service.

THIS WARRANTY DOES NOT EXTEND TO FLUORESCENT LAMP STARTERS AND TUBES. This warranty does not cover (a) normal maintenance and service or (b) any products or parts which have been subject to misuse, negligence, accident, improper maintenance or repair (other than by Broan-NuTone), faulty installation or installation contrary to recommended installation instructions.

The duration of any implied warranty is limited to the one-year period as specified for the express warranty. Some states do not allow limitation on how long an implied warranty lasts, so the above limitation may not apply to you.

BROAN-NUTONE'S OBLIGATION TO REPAIR OR REPLACE, AT BROAN-NUTONE'S OPTION, SHALL BE THE PURCHASER'S SOLE AND EXCLUSIVE REMEDY UNDER THIS WARRANTY. BROAN-NUTONE SHALL NOT BE LIABLE FOR INCIDENTAL, CONSEQUENTIAL OR SPECIAL DAMAGES ARISING OUT OF OR IN CONNECTION WITH PRODUCT USE OR PERFORMANCE. Some states do not allow the exclusion or limitation of incidental or consequential damages, so the above limitation or exclusion may not apply to you.

This warranty gives you specific legal rights, and you may also have other rights, which vary from state to state. This warranty supersedes all prior warranties.

To qualify for warranty service, you must (a) notify Broan-NuTone at the address or telephone number below, (b) give the model number and part identification and (c) describe the nature of any defect in the product or part. At the time of requesting warranty service, you must present evidence of the original purchase date.

Broan-NuTone LLC, 926 West State Street, Hartford, WI 53027 (1-800-637-1453)