

This Owner's Manual is provided and hosted by [Appliance Factory Parts](#).



# BROAN 512M Owner's Manual

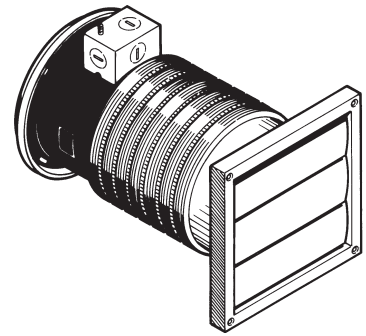
[Shop genuine replacement parts for BROAN 512M](#)



[Find Your BROAN HVAC Parts - Select From 1309 Models](#)

----- Manual continues below -----

# MODEL 512M THRU-THE-WALL VENTILATOR



**Economy, versatility & performance in a thru-the-wall ventilator.**

### FEATURES

#### INTERIOR GRILLE:

- White polymeric - complements any decor
- Spin-on installation

#### MOTOR:

- Plug-in, thermally protected, permanently lubricated
- Quiet, durable polymeric blade
- Motor assy. features fast, easy "twist-lock" installation

#### HOUSING:

- Steel housing finished with electrically-bonded epoxy paint
- Can be installed in outside walls from 5¼" to 10" thick (walls less than 6" thick will not use the 6" dia. flexible duct)
- Use with Model 57W or 57V Electronic Variable Speed Control or wall switch

#### EXTERIOR WALL CAP:

- Louvered white polymeric material
- Integral birdscreen
- 6" dia. flexible ducting included

### SPECIFICATIONS

VOLTS	AMPS	RPM	SONES	CFM
120/127	.70	2600	3.5	70



HVI-2100 CERTIFIED RATINGS comply with new testing technologies and procedures prescribed by the Home Ventilating Institute, for off-the-shelf products, as they are available to consumers. Product performance is rated at 0.1 in. static pressure, based on tests conducted in AMCA's state-of-the-art test laboratory. Sones are a measure of humanly-perceived loudness, based on laboratory measurements.



### TYPICAL SPECIFICATION

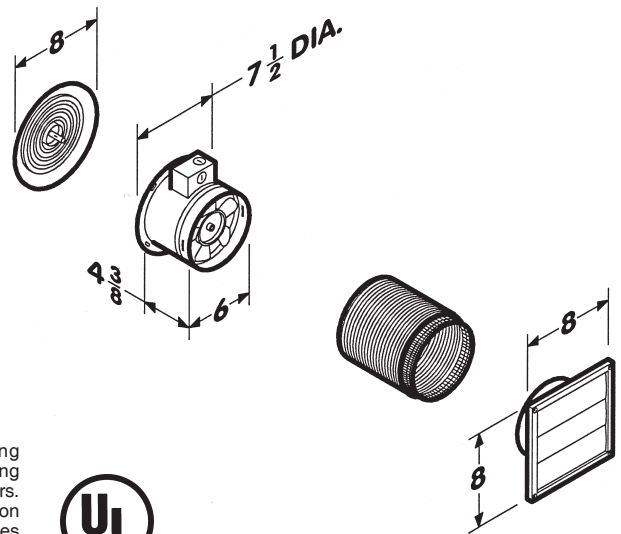
Ventilator shall be Broan Model 512M.

Unit shall be installed in an exterior wall - NOT through a fire-rated wall. Unit shall be controlled with a wall switch (speed control).

Ventilator shall be steel housing finished with electrically-bonded epoxy paint.

Motor assembly shall be removable and permanently lubricated. RPM not to exceed 2600.

Air delivery shall be no less than 70 CFM and sound level no greater than 3.5 Sones. All air and sound ratings shall be certified by HVI. Unit shall be U.L. listed.



Broan-NuTone LLC, 926 West State Street, Hartford, WI 53027 (1-800-637-1453)

REFERENCE	QTY.	REMARKS	Project
			Location
			Architect
			Engineer
			Contractor
			Submitted by
			Date