

This Owner's Manual is provided and hosted by [Appliance Factory Parts](#).



BROAN SP200 Owner's Manual

[Shop genuine replacement parts for BROAN SP200](#)



[Find Your BROAN HVAC Parts - Select From 1309 Models](#)

----- Manual continues below -----



MODELS SP100, SP140 SINGLE-PORT IN-LINE

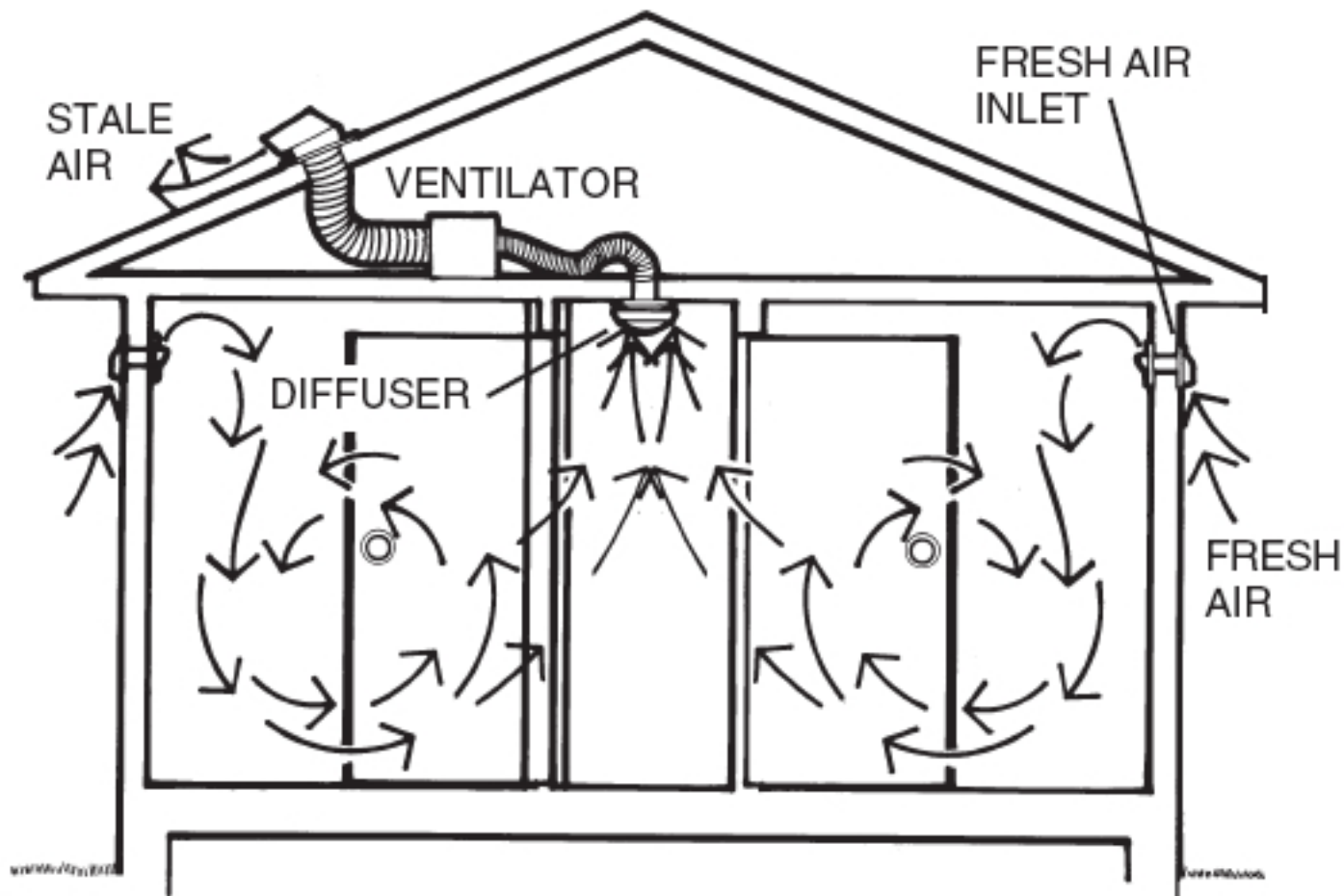
READ AND SAVE TH

WARNING

TO REDUCE THE RISK OF FIRE, ELECTRIC SHOCK, OR INJURY TO PERSONS, OBSERVE THE FOLLOWING:

1. Use this unit only in the manner intended by the manufacturer. If you have questions, contact the manufacturer at the address or telephone number listed below the warranty.
2. Before servicing or cleaning unit, switch power off at service panel and lock the service disconnecting means to prevent power from being switched on accidentally. When the service disconnecting means cannot be locked, securely fasten a prominent warning device, such as a tag, to the service panel.
3. Installation work and electrical wiring must be done by qualified person(s) in accordance with all applicable codes and standards, including fire-rated construction codes and standards.

PLAN THE INSTALLATION



AIR FLOW IN TYPICAL INSTALLATION

VENTILATOR

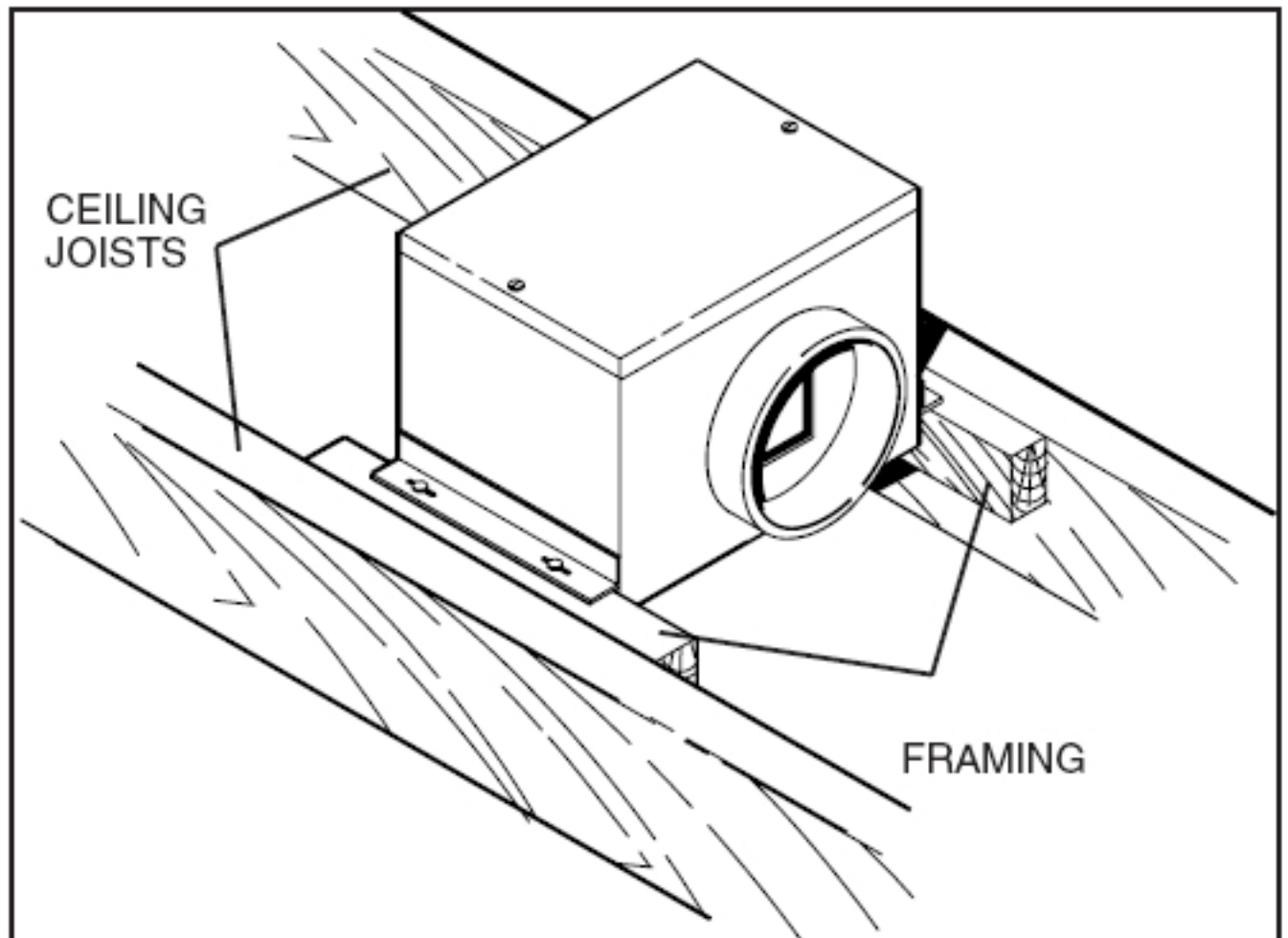
The ventilator exhausts stale air. There are normally sufficient natural intake openings into a dwelling to admit fresh outside air to be drawn in to replace the stale air. For better control, fresh air inlets may be used.

The ventilator should be centrally located to keep ductwork as short as possible. Locations for the ventilator include: joists in an attic space or the basement, or a wall away from the living areas.

INSTALL FRESH AIR INLETS

1. Mount all fresh air inlets in chosen locations during rough-in construction. Follow directions packed with inlets.

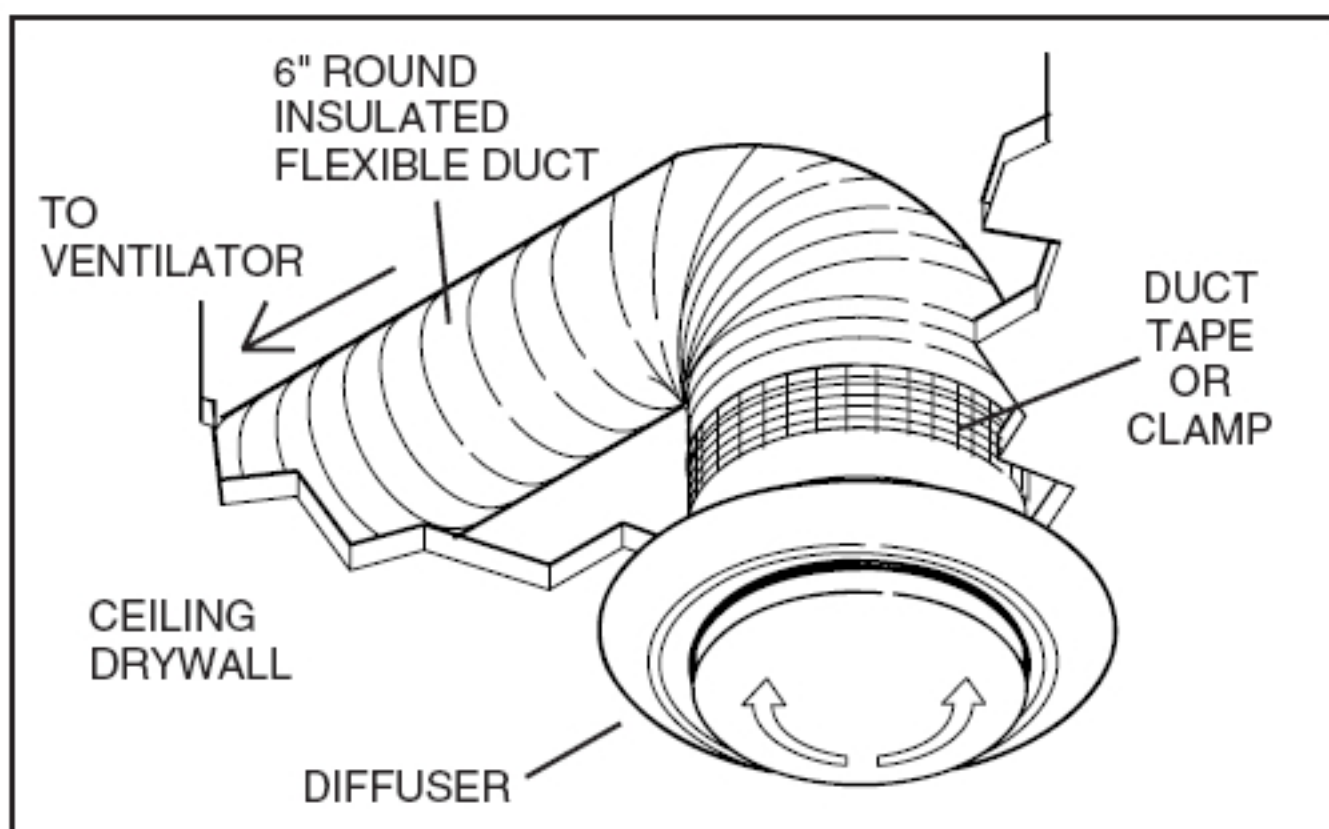
MOUNT THE VENTILATOR



OR



INSTALL EXHAUST DIFFUSERS



Follow instructions packed with diffuser(s). General instructions:

1. Cut hole(s) in ceiling drywall and install diffuser(s).
2. Connect insulated ductwork to diffuser(s) and use duct tape or clamp (available separately) to seal connection(s).
3. Rotate center of diffuser(s) counterclockwise to fully open for maximum air flow. Reduce air flow by rotating center of diffuser(s) clockwise to desired opening. A balancing damper (available separately) can be used to adjust airflow.

SERVICE PARTS

Models SP100, SP140 & SP200

KEY NO.	PART NO.	DESCRIPTION
1	99150591	Screw, #10 x 7/8" (4 required)*
2	97011393	Housing Assembly (includes Key No. 7)
3	98005512	Wiring Adapter Plate
4	99150471	Ground Screw, #10-32 x 1/2"
5	97008575	Wiring Harness
6	99260477	Whiz Nut, 1/4-20 (2 required)*