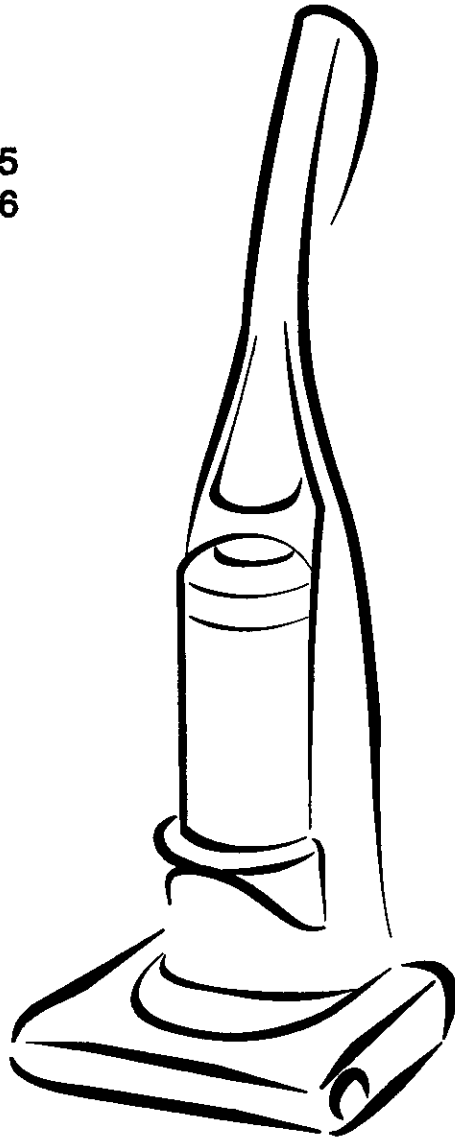


Owner's Manual
Manual Del Propietario



Vacuum Cleaner
Aspiradora

Model , Modelo 116.35725
116.35726



ENGLISH

ESPAÑOL

CAUTION:

Read and follow all safety and operating instructions before first use of this product.

CUIDADO:

Lea y sigue todas las instrucciones de operación y seguridad antes del uso de este producto.

Sears, Roebuck and Co., Hoffman Estates, IL 60179 U.S.A.
www.sears.com

Impreso en México
Printed in Mexico

Part No. C01ZCKV00U00-KC01ZCKVZ0U0

TABLE OF CONTENTS

Before Using Your New Vacuum	2	Vacuum Cleaner Care	13
Kenmore Vacuum Cleaner Warranty	2	Vacuum Storage	13
Important Safety Instructions	3	Cleaning Exterior and Attachments	13
Parts and Features	4	Dust Bin Cleaning	14-15
Assembly Instructions	5-6	Secondary Filter Cleaning	15
Operating Instructions	6	Filter Changing/Cleaning	16
Pile Height Selection and Setting	7	Belt Changing and Agitator Cleaning	17-19
Carpet/Bare Floor Selector	7	Clog Removal	20
Releasing the Handle	8	Light Bulb Changing	21
ON/OFF Switch	8	Agitator Servicing	22
Attachments	8-10	Troubleshooting	23
Attachment Use Chart	11	Requesting Assistance	
Vacuuming Tips	11	Or Service	Back Page
Performance Features	12		

BEFORE USING YOUR NEW VACUUM

Please read this guide. It will help you assemble and operate your new Kenmore vacuum in the safest and most effective way.

For more information about vacuum cleaner care and operation, call your nearest Sears store. You will need the complete model and serial numbers when requesting information. Your vacuum's model and serial numbers are located on the Model and Serial Number Plate.

Use the space below to record the model number and serial number of your new Kenmore vacuum.

Model No. _____

Serial No. _____

Date of Purchase _____

Keep this book and your sales check (receipt) in a safe place for future reference.

KENMORE VACUUM CLEANER WARRANTY

LIMITED ONE YEAR WARRANTY ON KENMORE VACUUM CLEANER

This warranty is for one year from the date of purchase, and includes only private household vacuum cleaner use. During the warranty year, when this vacuum cleaner is operated and maintained according to the owner's manual instructions, Sears will repair any defects in material or workmanship free of charge.

This warranty excludes vacuum bags, belts, light bulbs, and filters, which are expendable parts and become worn during normal use.

For warranty service, return this vacuum cleaner to the nearest Sears Service Center in the United States.

This warranty applies only while this product is in use in the United States. This warranty gives you specific legal rights, and you may also have other rights which vary from state to state.

Sears, Roebuck and Co., D/817 WA, Hoffman Estates, IL 60179

IMPORTANT SAFETY INSTRUCTIONS



WARNING

Your safety is important to us. To reduce the risk of fire, electrical shock, injury to persons or damage when using your vacuum cleaner, follow basic safety precautions including the following:

Read all instructions in this manual before assembling or using your vacuum cleaner.

Use your cleaner only as described in this manual. Use only with Sears recommended attachments.

Disconnect electrical supply before servicing or cleaning out the brush area. Failure to do so could result in electrical shock or the brush suddenly starting.

Do not leave cleaner when plugged in. Unplug from outlet when not in use and before servicing.

To reduce the risk of electrical shock - Do not use outdoors or on wet surfaces.

Do not allow to be used as a toy. Close attention is necessary when used by or near children.

Do not use with a damaged cord or plug. If cleaner is not working as it should, has been dropped, damaged, left outdoors, or dropped in water, return it to a Sears Service Center.

Do not pull or carry by cord, use cord as a handle, close a door on cord, or pull cord around sharp edges or corners. Do not run cleaner over cord. Keep cord away from heated surfaces.

Do not unplug by pulling on cord. To unplug, grasp the plug, not the cord.

Do not handle plug or cleaner with wet hands.

Do not put any objects into openings.

Do not use with any opening blocked; keep free of dust, lint, hair, and anything that may reduce air flow.

Keep hair, loose clothing, fingers, and all parts of body away from openings and moving parts.

Turn off all controls before unplugging.

Use extra care when cleaning on stairs. Do not put on chairs, tables, etc. Keep on floor.

Do not use cleaner to pick up flammable or combustible liquids (gasoline, cleaning fluid, perfumes, etc.), or use in areas where they may be present. The fumes from these substances can create a fire hazard or explosion.

Do not pick up anything that is burning or smoking, such as cigarettes, matches, or hot ashes.

Do not use cleaner without dust bag and/or filters in place.

Always change the dust bag after vacuuming carpet cleaners or freshener, powders, and fine dust. These products clog the bag, reduce airflow and can cause the bag to burst. Failure to change the bag could cause permanent damage to the cleaner.

Do not use the cleaner to pick up sharp hard objects, small toys, pins, paper clips, etc. They may damage the cleaner or dust bag.

Do not operate cleaner without the belt access door properly installed (if applicable).

Unplug before connecting Handi-mate Jr. (if applicable).

You are responsible for making sure that your vacuum cleaner is not used by anyone unable to operate it properly.

ENGLISH

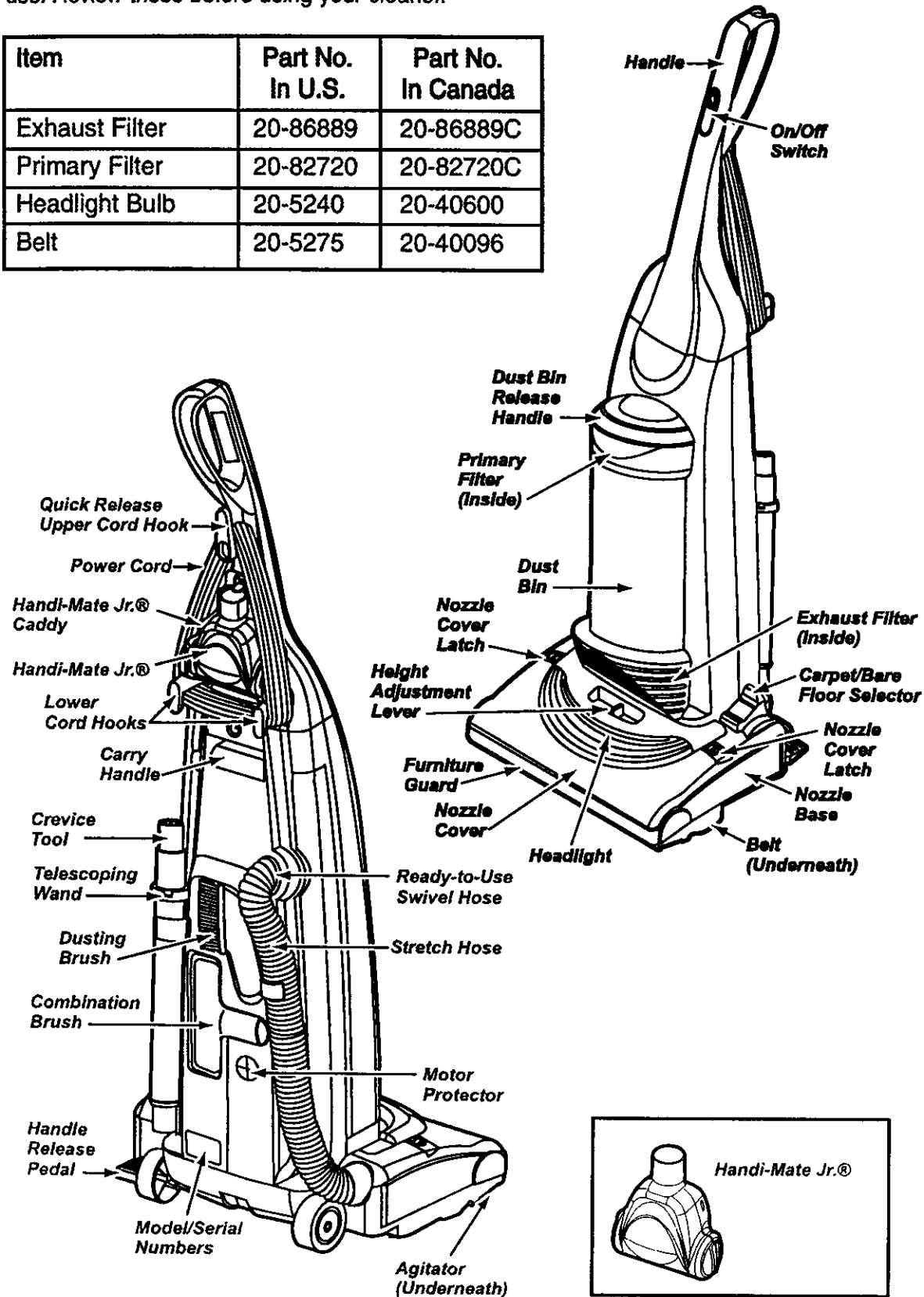
SAVE THESE INSTRUCTIONS

Proper assembly and safe use of your vacuum cleaner are your responsibilities. Your cleaner is intended for **Household use**. Read this Owner's Manual carefully for important use and safety information. This guide contains safety statements under warning and caution symbols. Please pay special attention to these boxes, and follow any instructions given. **WARNING** statements alert you to such dangers as fire, electric shock, burns and personal injury. **CAUTION** statements alert you to such dangerous personal injury and/or property damage.

PARTS AND FEATURES

It is important to know your vacuum cleaner's parts and features to assure its proper and safe use. Review these before using your cleaner.

Item	Part No. In U.S.	Part No. In Canada
Exhaust Filter	20-86889	20-86889C
Primary Filter	20-82720	20-82720C
Headlight Bulb	20-5240	20-40600
Belt	20-5275	20-40096



ASSEMBLY INSTRUCTIONS



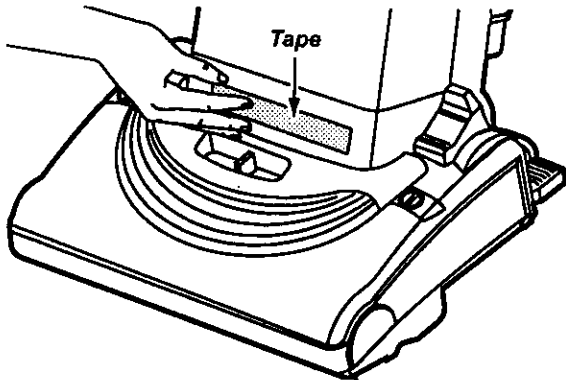
WARNING

Electrical Shock Hazard

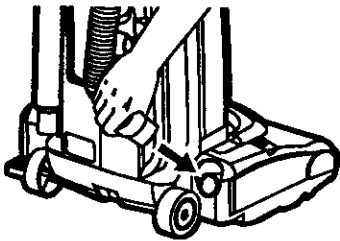
Do not plug into the electrical supply until the assembly is complete. Failure to do so could result in electrical shock or injury.

Before assembling vacuum, check the PACKING LIST on the cover of the separate Repair Parts List. Use this list to verify that you have received all the components of your new Kenmore vacuum.

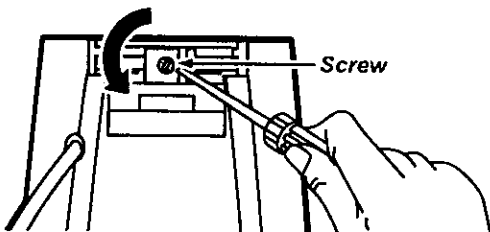
Remove the tape located below the dust cover/filter cover on the motor case.



Attach stretch hose end to nozzle as shown.



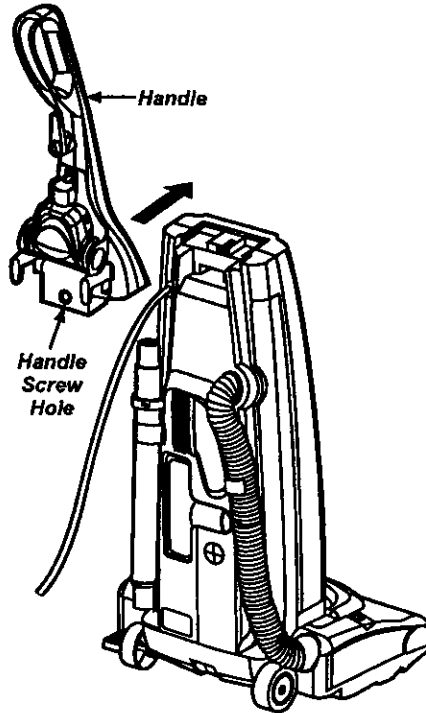
HANDLE ASSEMBLY



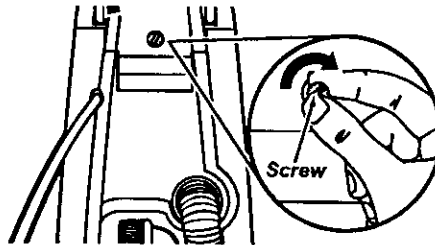
Remove the screw located just below the top edge of the back of the vacuum.

Position the handle as shown in the illustration below.

Slide the handle into the opening at the top of the vacuum.



Insert the screw so it passes through the handle into the vacuum.



Begin to tighten the screw with your fingers. It may be necessary to adjust the handle slightly.

Using a screwdriver, tighten the screw.



CAUTION

Do not overtighten.

Overtightening could strip the screw holes.

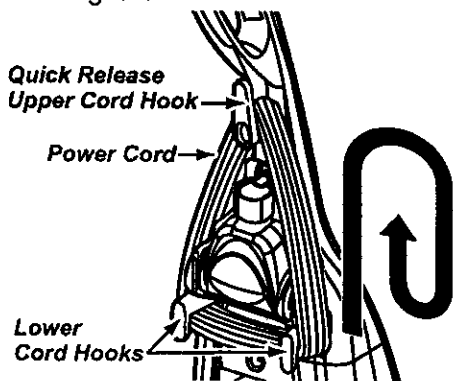
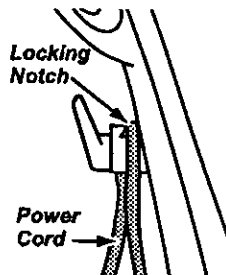
Do not operate the cleaner without the screw in place.

ENGLISH

CORD ASSEMBLY

Make sure the quick release upper cord hook is in the upright position. Remove the wire tie from the power cord.

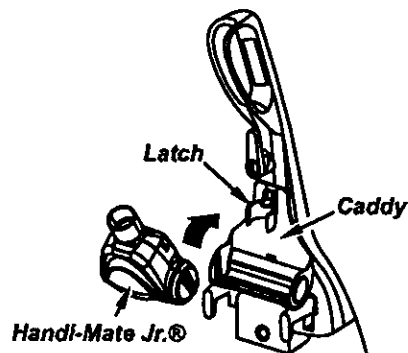
Lock the cord into place by forcing it into the locking notch on the body of the quick release upper cord hook as shown. This helps keep the power cord out from under the vacuum cleaner agitator.



Wrap the power cord around the upper and lower cord hooks and lock the power cord plug onto the power cord.

HANDI-MATE JR.®

For operation of Handi-Mate Jr.® see separate owners manual.



TO INSERT HANDI-MATE JR.®

Place the rear of the Handi-Mate Jr.® into the caddy.

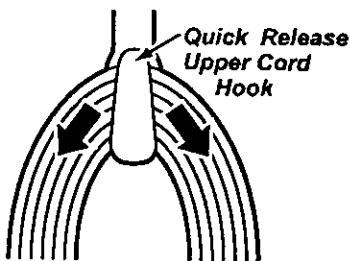
Rotate the Handi-Mate Jr.® back until it snaps into place.

TO REMOVE HANDI-MATE JR.®

Rotate Handi-Mate Jr.® out of the caddy.

OPERATING INSTRUCTIONS

HOW TO START



Turn the quick release upper cord hook to either side and down to release the power cord.

Release the power cord plug from the power cord and pull the cord off the quick release upper cord hook. Check to be sure the power cord is still locked into the lock in the quick release upper cord hook.

Note: To reduce the risk of electric shock, this vacuum cleaner has a polarized plug, one blade is wider than the other.

This plug will fit in a polarized outlet only one way. If the plug does not fit fully in the outlet, reverse the plug. If it still does not fit, contact a qualified technician to install the proper outlet. Do not change the plug in any way.

Plug the polarized power cord into a 120 Volt outlet located near the floor.



WARNING

Personal Injury and Product Damage Hazard

- DO NOT plug in if switch is in the ON position. Personal injury or damage could result.
- DO NOT use outlets above counters. Damage from cord to items in surrounding area could occur.

PILE HEIGHT SELECTION AND SETTING

To select a pile height setting:

Turn off cleaner. Select a pile height setting by tilting the cleaner back until front wheels are lifted slightly off the floor as illustrated.

Slide the adjustment lever to the correct setting.

SUGGESTED PILE HEIGHT SETTINGS

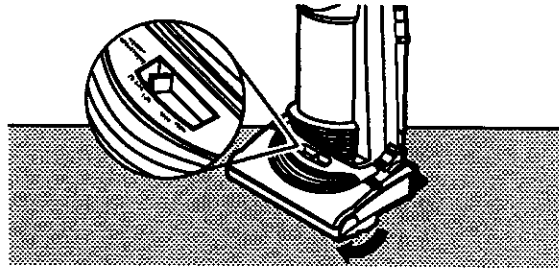
You may need to raise the height to make some jobs easier, such as scatter rugs and longer pile carpets. Suggested settings are:

HIGH: shag carpet, long pile, plush, scatter rugs.

MED: medium to long pile.

LOW: short to medium pile.

EX LOW: very low pile.



WARNING

Personal Injury Hazard

DO NOT place hands or feet underneath the unit when changing from the bare floor to the carpet pile height setting. The agitator begins to revolve rapidly when the vacuum is turned on and is in the carpet setting.

ENGLISH

CARPET/BARE FLOOR SELECTOR

Bare floor setting: Slide the carpet/bare floor selector all the way back and down toward the bottom of the nozzle until it locks into place.

In this position the brush assembly does not revolve. This setting should be used for cleaning hardwood and tile floors and **when any attachments (tools) are used.**

Carpet setting: Slide the selector **all the way forward** and up to the carpet position.

In this position the brush assembly will turn. When carpets are being cleaned the selector should be in this position.

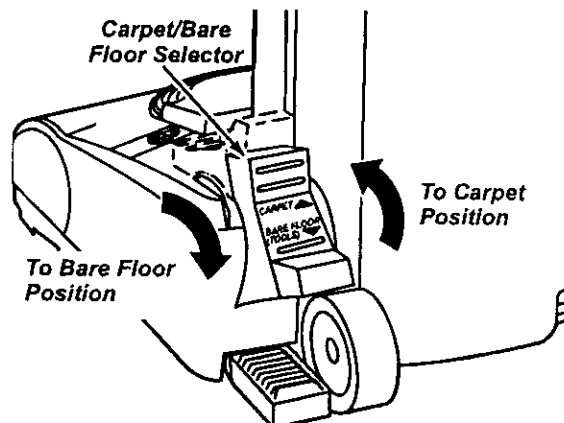
Attention: Refer to your carpet manufacturers cleaning recommendations. Some more delicate carpets may require that they be vacuumed with the agitator turned off, to prevent carpet damage.



CAUTION

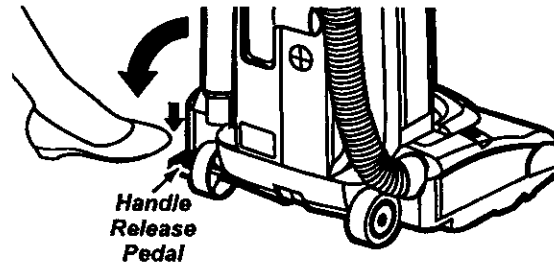
Do not allow vacuum cleaner to remain in one spot for any length of time when the agitator is turning. Damage to carpet may occur.

Note: For longer belt life, turn vacuum off before moving selector. Failure to do so can cause the belt to rub on the selector shaft and may result in the belt becoming hot and creating a burning rubber smell.



RELEASING THE HANDLE

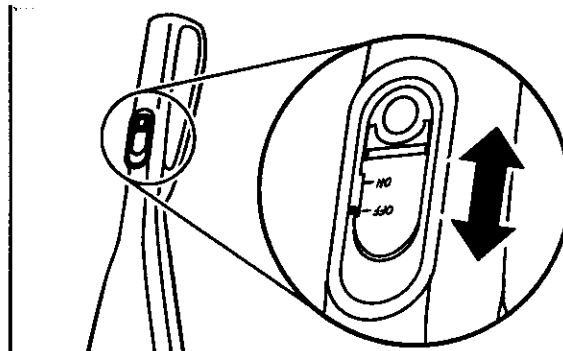
Release the handle by pressing down on the handle release pedal with your foot and pulling back and down on the handle with your hand.



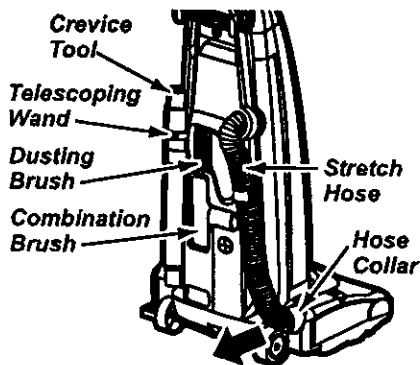
ON/OFF SWITCH

HANDLE MOUNTED

To start the vacuum cleaner, slide the On/Off switch from the OFF position to the ON position. To stop the vacuum cleaner, slide the On/Off switch to the OFF position.



ATTACHMENTS



Identify each of the attachments shown above.

TO USE ATTACHMENTS

Place the carpet/bare floor selector in the bare floor setting by rotating the selector back and down to the bare floor setting. See CARPET/BARE FLOOR SELECTOR section.

When returning the bare floor selector to the carpet setting, use caution as the selector can move quickly to that setting due to tension created by the belt.

Remove the lower end of the stretch hose from the cleaner by grasping the hose collar, twisting and pulling straight out. The attachments can now be added to the hose.

Note: The motor protector may open when using attachments or when cleaning new carpet, due to reduced airflow by the attachments themselves or by new carpet fuzz filling the dust bin quickly. See the TROUBLESHOOTING section.

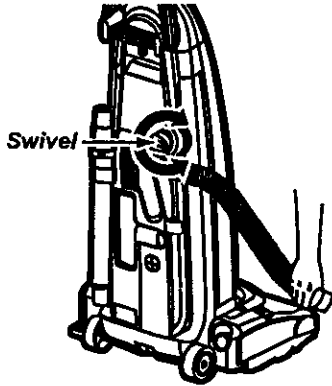


WARNING

Electrical Shock And Personal Injury Hazard

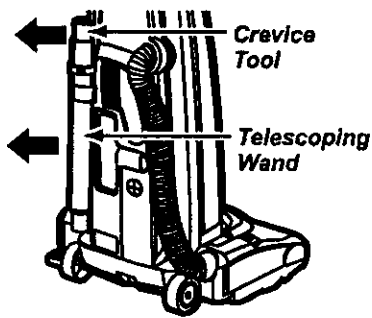
Disconnect electrical supply before servicing or cleaning the unit. Failure to do so could result in electrical shock or personal injury from cleaner suddenly starting.

The attached hose swivels to make cleaning easier in every direction. Remove the hose from the hose clip by pulling straight out.



TELESCOPING WAND WITH SUCTION CONTROL SLIDE

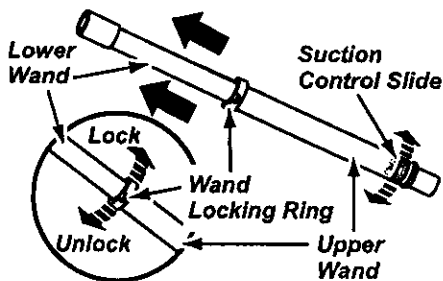
SOME MODELS



Remove the telescoping wand from its storage position.

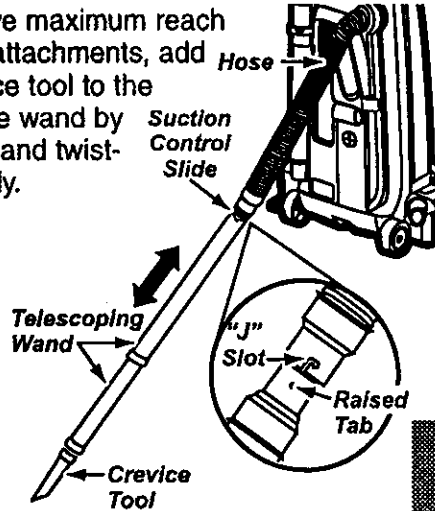
Remove the crevice tool from its storage position in the wand. Turn the locking ring to the **UNLOCK** position.

Extend the wand to its full length. Turn the locking ring to the **LOCK** position. Attach the extension wand onto the open end of the hose.

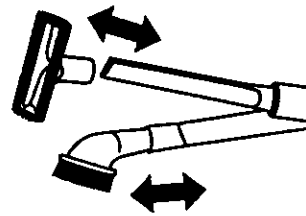


Align the tabs on the extension wand with the "J" slots in the hose. Push the wand into the hose and twist to the right to lock.

To achieve maximum reach with the attachments, add the crevice tool to the end of the wand by inserting and twisting slightly.



The dusting brush or the combination brush may be attached directly to the wand or placed on the end of the crevice tool.



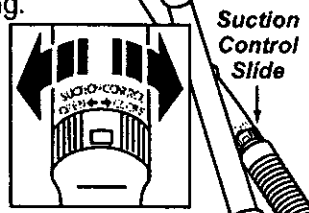
ENGLISH

TO OPERATE SUCTION CONTROL SLIDE


Telescoping Wand

When using attachments for cleaning draperies, small rugs with low pile and other delicate items, twist the suction control slide to the open position. This will reduce suction for ease of cleaning.

The slide is located on the telescoping wand, close to the hose.



Note: Return suction control slide to the closed position for normal cleaning.



CAUTION

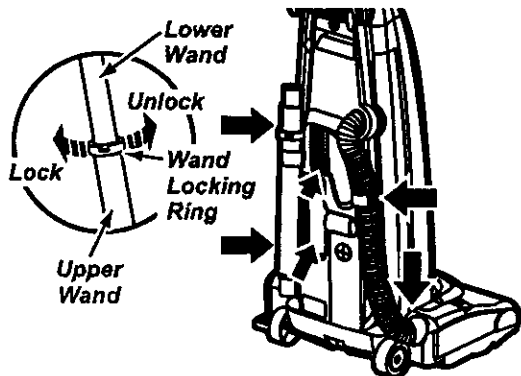
When using attachments, be careful not to overextend the stretch hose when reaching. Trying to reach beyond the hose stretch capability could cause the cleaner to tip over. Make sure the carpet/bare floor selector is in the bare floor position. Damage to the floor surface may occur if the carpet setting is used.

TO STORE ATTACHMENTS

Remove dusting brush or combination brush. Snap into appropriate storage location.

Remove crevice tool from the wand by twisting. Lay aside.

Remove the extension wand from the hose. Twist the wand to the left and pull it away from the hose end.



CAUTION

DO NOT pull the vacuum cleaner around the room by the hose. Property damage could result.





Unlock the wand by turning the wand locking ring to the **UNLOCK** position.

Slide the lower wand into the upper wand. Turn the wand locking ring to the **LOCK** position.

Place the crevice tool down into the compressed wand. Snap into the appropriate storage location.

Reinsert the hose fully into the opening on the nozzle base from which it was removed. Press firmly to assure connection.

ATTACHMENT USE CHART

CLEANING AREA					
ATTACHMENT	Furniture*	Between Cushions*	Drapes*	Stairs	Walls
DUSTING BRUSH 	X		X		X
CREVICE TOOL 	X	X		X	
COMBINATION BRUSH 	X		X	X	
Handi-Mate Jr.* 	X			X	

*Always clean attachments before using on fabrics.

ENGLISH

VACUUMING TIPS

Carpet edges

Guide either side or the front of the nozzle along a baseboard. The full width agitator brushes help remove dirt at carpet edges.

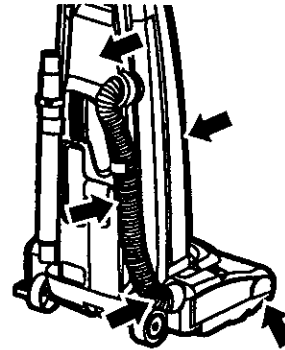
Stairs

Put handle in full upright position. Place the carpet/bare floor selector in the bare floor position. Use the crevice tool or fabric brush. Set the On/Off switch to ON.

For best cleaning results, keep the airflow passage clear.

Occasionally, check each of the areas indicated for clogs.

Unplug the cleaner from the outlet before checking.



WARNING

Personal Injury Hazard

Use care if vacuum cleaner is placed on stairs. If it falls, personal injury or property damage could result.

PERFORMANCE FEATURES

MOTOR PROTECTION SYSTEM

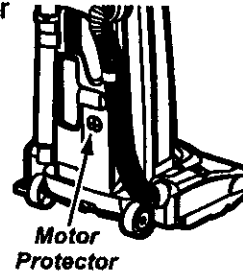
Thermal Protector

This vacuum has a thermal protector which automatically trips to protect the vacuum from overheating. If a clog prevents the normal flow of air to the motor, the thermal protector turns the motor off automatically to allow the motor to cool in order to prevent possible damage to the vacuum. During this time the headlight remains on.

To correct problem: If this occurs, turn the vacuum off and unplug the power cord from the outlet to allow the vacuum to cool and the thermal protector to reset. **Check for and remove clogs, if necessary. Also check and clean/replace any clogged filters. Wait approximately thirty (30) minutes and plug the vacuum in and turn back on to see if the motor protector has reset. The motor protector will not reset if the vacuum is not turned off even if the vacuum has cooled down.**

Motor Protector

This vacuum has a motor protector by-pass valve which automatically opens to provide cooling air to the motor when a clog prevents the normal flow of air to the motor. If the by-pass valve opens to prevent motor overheating and possible damage to the vacuum, you will notice a change of sound as air rushes through the valve opening.



Note: Do not block motor protector.

To correct problem: See the TROUBLE-SHOOTING chart.

Note: The motor protector may open when using attachments or when cleaning new carpet, due to reduced airflow by the attachments themselves or by new carpet fuzz filling the dust bin quickly. See the TROUBLESHOOTING section.

VACUUM CLEANER CARE

Always follow all safety precautions when cleaning and servicing the vacuum cleaner.



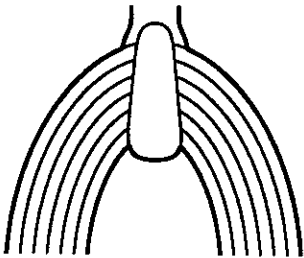
WARNING

Electrical Shock And Personal Injury Hazard

Disconnect electrical supply before servicing or cleaning the unit. Failure to do so could result in electrical shock or personal injury from cleaner suddenly starting.

VACUUM STORAGE

Gather the cord and wrap it loosely around the upper and lower cord hooks.



Store the cleaner in a dry, indoor area, on the floor with the handle locked in the upright position.



WARNING

Electrical Shock And Personal Injury Hazard

Wrapping the cord too tightly puts stress on the cord and can cause cord damage. A damaged cord is an electrical shock hazard and could cause personal injury or damage.

CLEANING EXTERIOR AND ATTACHMENTS

Unplug cord from wall outlet.

Clean exterior using a clean, soft cloth that has been dipped in a solution of mild liquid detergent and water, then wrung dry. Wipe dry after cleaning. **DO NOT** drip water on cleaner.

Wash attachments in warm soapy water, rinse and air dry. **Do not clean in dishwasher.**



CAUTION

Do not use attachments if they wet. Attachments used in dirty areas, such as under a refrigerator, should not be used on other surfaces until they are washed. They could leave marks.

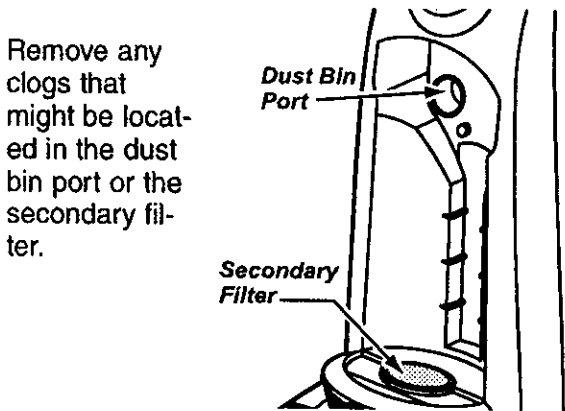
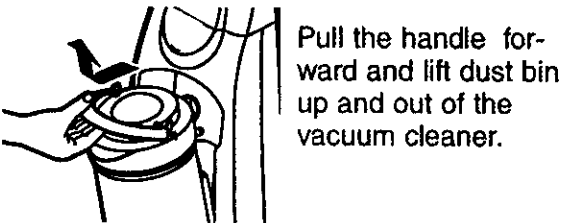
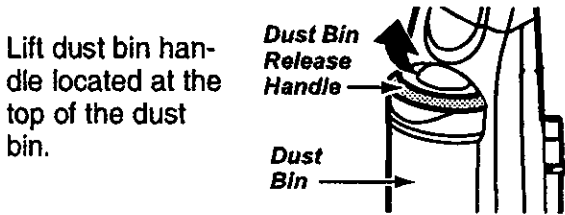
ENGLISH

DUST BIN CLEANING

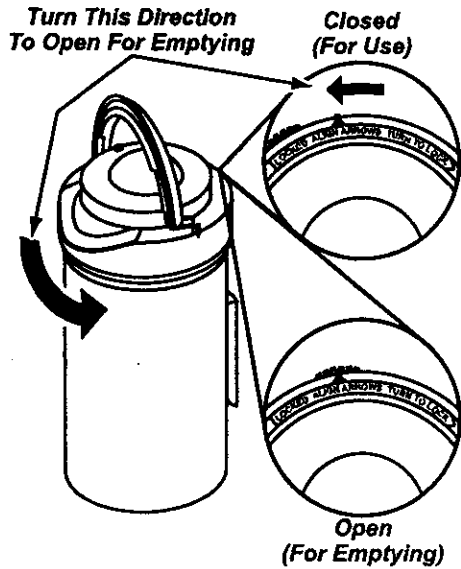
Always empty the dust bin when dirt level reaches the "MAX FILL" line.

TO REMOVE DUST BIN

! WARNING
Always unplug power cord from electrical outlet before performing any service on vacuum.



TO EMPTY DUST BIN

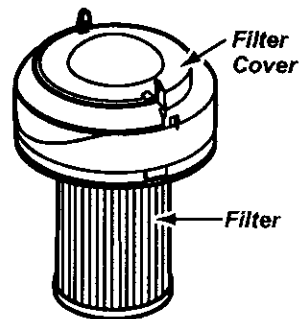


Rotate dust bin lid assembly counterclockwise as indicated on the lid and lift off.

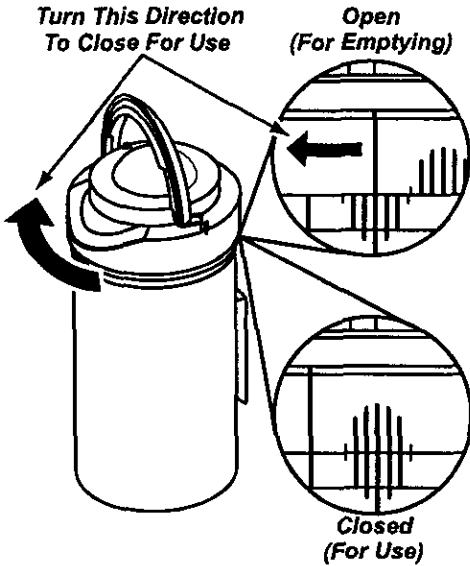


TO CLEAN FILTER

The filter may be cleaned by tapping it on a firm surface or by rinsing it under a faucet. **Rinse with water only**, do not use any detergent or soap. Allow the filter to dry for 24 hours before putting it back into the vacuum.

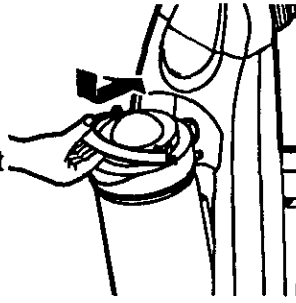


TO REPLACE DUST BIN

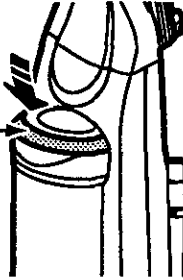


Replace dust bin lid assembly by placing back on dust bin with the marks on the lid aligned as shown under **Open (For Emptying)** on the back of the dust bin. Rotate lid clockwise while pressing downward so marks align as shown above **Close (For Use)** as above.

Place dust bin back into vacuum cleaner by inserting the bottom first and tilt back with the dust bin handle raised.



Dust Bin Release Handle



Lower the dust bin handle to lock dust bin in place.

ENGLISH

SECONDARY FILTER CLEANING

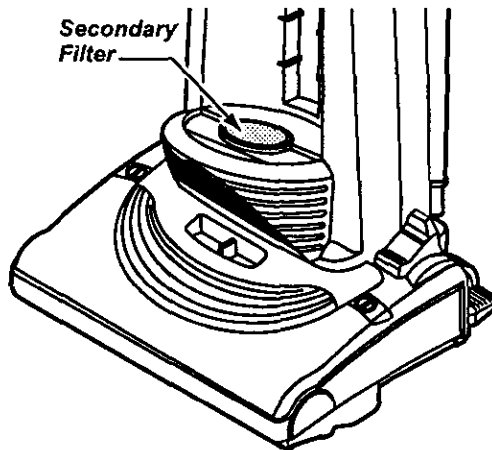
Check secondary filter frequently and clean when dirty.

Remove the dust bin as outlined in the DUST BIN CLEANING section.

To clean filter screen wipe screen with a dry cloth.

NOTE: Filter screen is not removable.

Replace the dust bin as outlined in the DUST BIN CLEANING section.



FILTER CHANGING/CLEANING



WARNING

Electrical Shock Hazard

Unplug power cord from electrical outlet. Do not operate the cleaner without the primary or exhaust filters. Be sure the filters are properly installed to prevent motor failure and/or electrical shock.

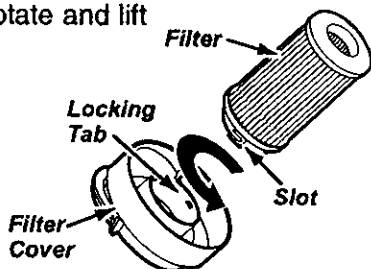
PRIMARY FILTER

Check primary filter frequently and clean when dirty.

TO REMOVE PRIMARY FILTER

Remove the dust bin and dust bin lid assembly as outlined in the DUST BIN CLEANING section.

Grasp filter, rotate and lift off.

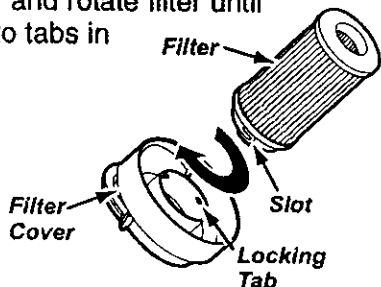


Clean primary filter by gently tapping over a trash container. Tap on several sides to ensure best cleaning. **Rinse, as needed, with water only.** (see page 15).

When cleaning the filter no longer restores vacuum suction to full power you need to replace the filter.

TO REPLACE PRIMARY FILTER

Replace filter and rotate filter until slots lock onto tabs in cover.



NOTE: Under normal use and care, your filter can be expected to last up to 3 years.

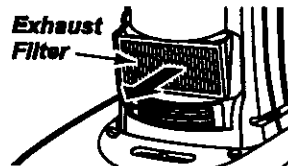
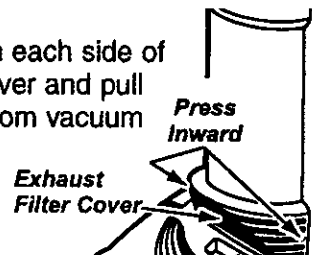
EXHAUST FILTER HEPA

The exhaust filter must be replaced when dirty. It should be replaced regularly depending on use conditions.

The filter **CANNOT** be washed as it will lose its dust trapping ability.

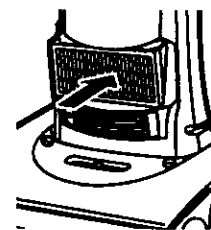
NOTE: See PARTS AND FEATURES for the exhaust filter number.

Press inward on each side of exhaust filter cover and pull out to remove from vacuum cleaner.



Remove the exhaust filter cartridge.

Push only on filter cartridge frame, not on filter material itself.



The grey edge of the filter should be facing away from the operator.

Replace the exhaust filter cover by placing tabs in slots and pushing in until cover snaps into place.

BELT CHANGING AND AGITATOR CLEANING



WARNING

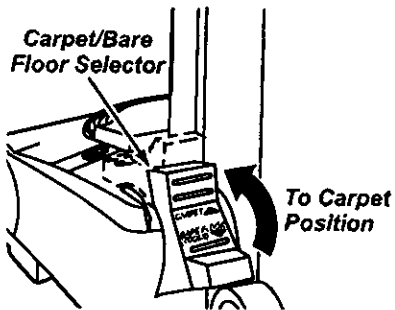
Electrical Shock Or Personal Injury Hazard

Disconnect electrical supply before servicing or cleaning the unit. Failure to do so could result in electrical shock or personal injury from cleaner suddenly starting.

Frequently check and remove hair, string and lint build-up in the brush area. If build-up becomes excessive, follow the steps below.

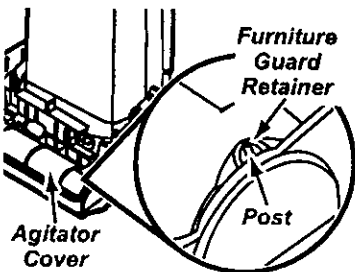
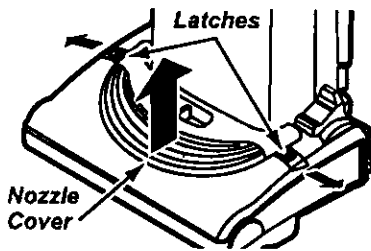
TO REMOVE BELT

Disconnect power cord from electrical outlet.

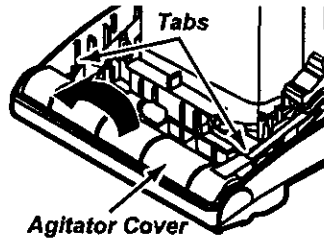


Place the carpet/bare floor selector in the carpet position and lower handle to lay vacuum flat.

Slide latches outward and remove nozzle cover.

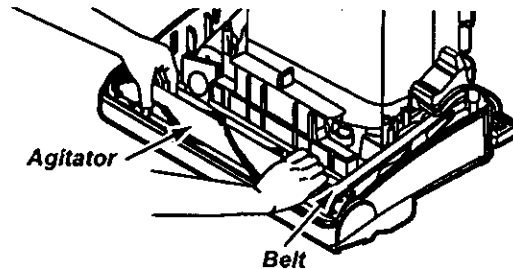


Unfasten the furniture guard retainers from the posts on both sides of the agitator cover.



Depress tabs on rear of agitator cover and rotate forward to release from the nozzle body.

The light bulb socket assembly does not have to be removed. Lay the agitator cover over to the side out of the way.



Position hands on the agitator. If the belt is still attached to the agitator, there will be tension on the agitator. Carefully lift the right end of the agitator and then the left end.

Note: It may be necessary to pull the edge of the furniture guard out of the way to allow the ends of the agitator to be removed easily.

Remove the belt from the motor drive shaft.

ENGLISH



WARNING

Personal Injury Hazard

Be careful when removing the agitator as the belt tension is high. Failure to do so could result in personal injury from the agitator releasing quickly and snapping away.

TO CLEAN AGITATOR

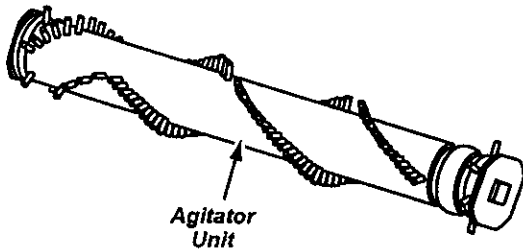
Note: In order to keep cleaning efficiency high and to prevent damage to your vacuum, the agitator must be cleaned every time the belt is changed.

The agitator must be cleaned according to the following schedule:

<u>Vacuum Use</u>	<u>Clean Agitator</u>
HEAVY (used daily)	every week
MODERATE (used 2-3 times/week)	every month
LIGHT (used 1 time/week)	every 2 months

Remove any dirt or debris in the belt path area or in the agitator area.

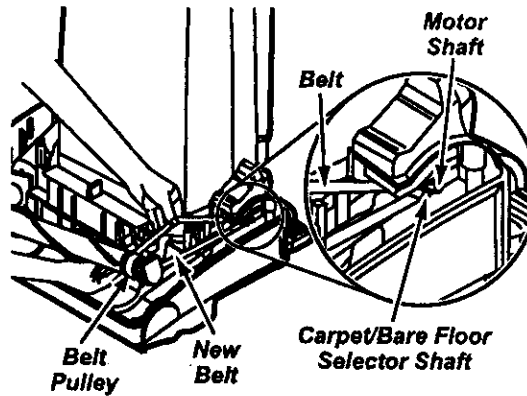
Agitator Assembly



Remove any string or debris located on the agitator assembly or agitator shaft.

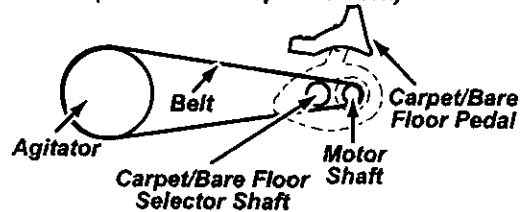
TO REPLACE BELT

Make sure that the carpet/bare floor selector is in the **carpet** position. Loop the new belt on the motor shaft.

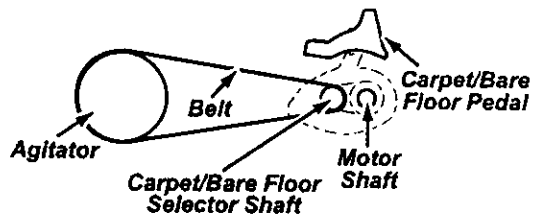


BELT ROUTING

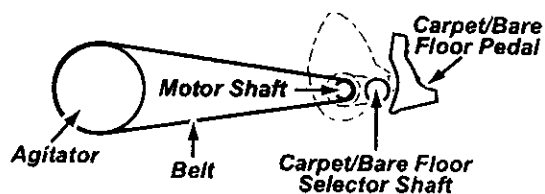
Correct Routing of Belt (Selector in Carpet Position)



Incorrect Routing of Belt (Belt on Selector Shaft)



Incorrect Routing of Belt (Selector in Bare Floor Position)

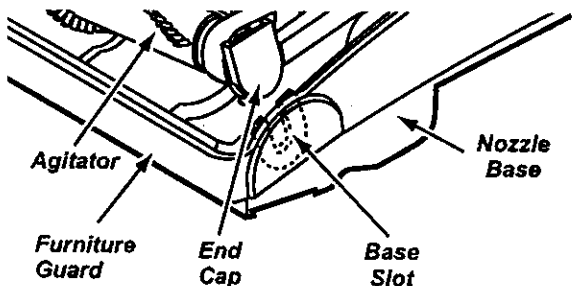


Note: See PARTS AND FEATURES for belt number.

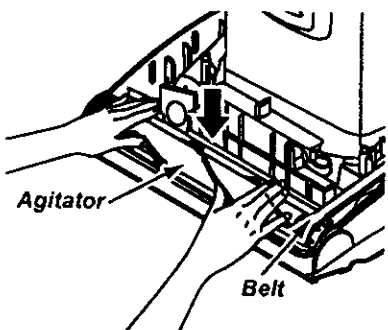
Loop the other end of the belt on the belt pulley on the agitator.

Insert the agitator by placing the rounded portion of the end cap down into the slot in the nozzle base.

Note: It may be necessary to hold the furniture guard out of the way in order to allow proper insertion of the agitator into the nozzle base.



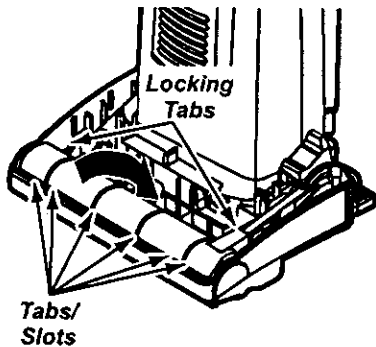
Note: Care must be taken due to the belt tension during reassembly.



Press firmly, checking to see that each end is completely inserted.

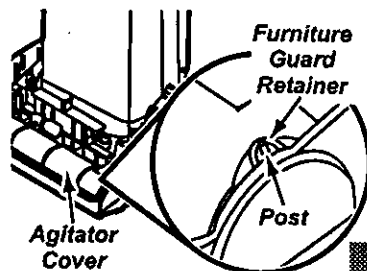
Check to see that the belt is centered on the belt pulley. Turn the agitator with your fingers to see that it turns freely.

To re-attach the agitator cover, insert the six (6) tabs into the six slots along the front edge of the nozzle base.



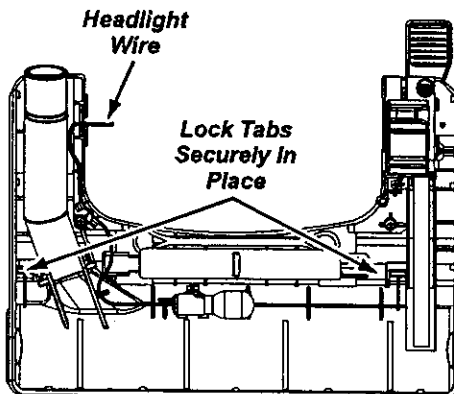
Lower the agitator cover to its original position. After positioning the agitator cover, push forward on the two (2) locking tabs in order to ensure that they are securely in place.

Re-fasten the furniture guard retainers to the posts on both sides of the agitator cover.



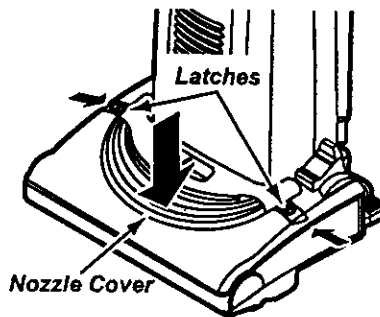
Note: If the agitator cover is not installed correctly, you may experience a loss of performance and possible agitator vibration, etc.

ENGLISH



Make sure the headlight wires are tucked securely in place.

Replace the nozzle cover and secure the latches.



CLOG REMOVAL

Always follow all safety precautions when cleaning and servicing the vacuum cleaner.



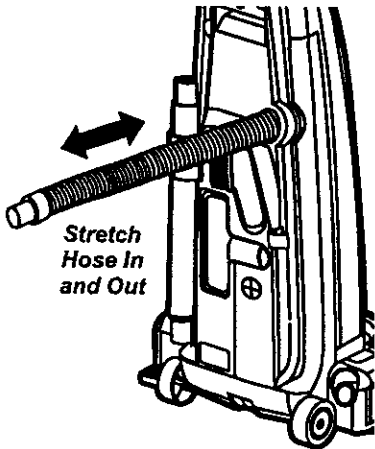
WARNING

Electrical Shock Or Personal Injury Hazard

Disconnect electrical supply before servicing or cleaning the unit. Failure to do so could result in electrical shock or personal injury from cleaner suddenly starting.

If the cleaner does not seem to have adequate suction, first check if the dust bin is full or if a filter is clogged. See DUST BIN CLEANING and FILTER CHANGING.

If the dust bin and filter areas are free of clogs, check the hose area. Remove the lower end of the stretch hose from the cleaner by grasping the hose collar, twisting, and pulling straight out.



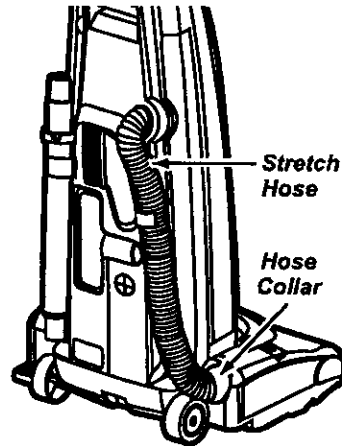
Plug in the vacuum and turn it on. Stretch the hose to maximum length and then allow the hose to return to its storage length.

Turn the unit off and unplug the unit.

Visually inspect the hose and the base area into which the hose is inserted.

Remove any visible clog.

Re-insert the hose into the opening on the lower body from which it was removed. Press firmly to assure connection.



If the dust bin and filter areas and the hose areas are free of clogs, check the nozzle area. To check this area, see the section on BELT CHANGING AND AGITATOR CLEANING.



WARNING

Personal Injury Hazard

DO NOT place hands or feet underneath the unit at any time. The agitator will be revolving rapidly when the vacuum is turned on and is in the carpet setting.

Return the cleaner to the upright position before plugging into an electrical outlet.

LIGHT BULB CHANGING



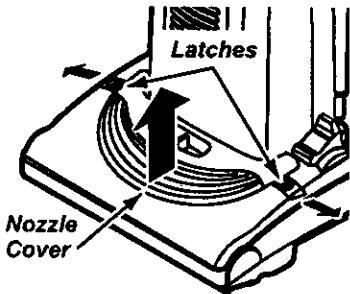
WARNING

Electrical Shock Or Personal Injury Hazard

Disconnect electrical supply before servicing or cleaning the unit. Failure to do so could result in electrical shock or personal injury from cleaner suddenly starting.

TO REMOVE LIGHT BULB

Disconnect power cord from electrical outlet. Place the carpet/bare floor selector in the carpet position and lower handle to lay vacuum flat.



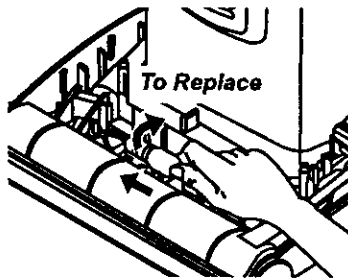
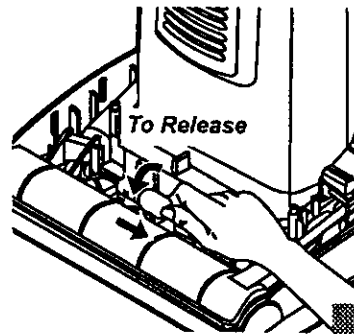
Slide latches outward and remove nozzle cover



CAUTION

Do not use a bulb rated over 15W (130V). During extended use, heat from the bulb could overheat surrounding plastic parts.

Remove the light bulb by pushing the bulb in while turning counterclockwise to release from the slot. Then pull the light bulb straight out.



To replace the light bulb carefully insert and turn clockwise to securely fit into slot.

ENGLISH

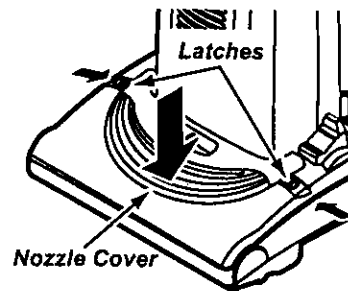
NOTE: See PARTS AND FEATURES for bulb number.



CAUTION

Do not plug in or turn on until the vacuum is completely reassembled.

Replace the nozzle cover and secure the latches.



AGITATOR SERVICING

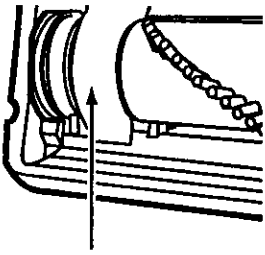


WARNING

Electrical Shock Or Personal Injury Hazard

Disconnect electrical supply before servicing or cleaning the unit. Failure to do so could result in electrical shock or personal injury from cleaner suddenly starting.

TO CHECK AGITATOR



Base Plate Belt Guard

Turn the vacuum over to check for worn brushes. When brushes are worn to the level of the base belt guard, replace the agitator.

TO REPLACE AGITATOR

Remove the nozzle cover, agitator cover and agitator. See BELT CHANGING AND AGITATOR CLEANING.

Remove the end caps.

Replace the agitator with a new one.

Replace the bearing covers and end caps.

Reassemble the belt, agitator, agitator cover and nozzle cover. See "To replace belt" in BELT CHANGING AND AGITATOR CLEANING section.

TROUBLESHOOTING

Review this chart to find do-it-yourself solutions for minor performance problems. Any service needed, other than those described in this owner's manual, should be performed by a Sears authorized service representative.



WARNING Electrical Shock Hazard

Disconnect electrical supply before servicing or cleaning the unit. Failure to do so could result in electrical shock or personal injury.

PROBLEM	POSSIBLE CAUSE	POSSIBLE SOLUTION
Cleaner won't run.	<ol style="list-style-type: none"> 1. Unplugged at wall outlet. 2. Tripped circuit breaker/blown fuse at household service panel. 3. On/off switch not turned on. 4. Thermal protector tripped. 	<ol style="list-style-type: none"> 1. Plug in firmly, push on/off switch to on. 2. Reset circuit breaker or replace fuse. 3. Push on/off switch to on. 4. Reset thermal protector.
Poor job of dirt pick-up.	<ol style="list-style-type: none"> 1. Full or clogged dust bin. 2. Wrong pile height setting. 3. Worn agitator. 4. Clogged nozzle or dust bin port. 5. Clogged hose. 6. Hole in hose. 7. Broken/misplaced belt. 8. Hose not inserted fully. 9. Motor protection system activated. 10. Dirty filters. 	<ol style="list-style-type: none"> 1. Clean dust bin. 2. Adjust setting. 3. Replace agitator. 4. Check CLOG REMOVAL. 5. Check for clogs. 6. Replace hose. 7. Replace/fix belt. 8. Insert hose fully. 9. Check for clogs. 10. Clean/change filters.
Cleaner picks up moveable rugs or pushes too hard.	<ol style="list-style-type: none"> 1. Wrong pile height setting. 	<ol style="list-style-type: none"> 1. Adjust setting.
Light won't work.	<ol style="list-style-type: none"> 1. Burned out light bulb. 	<ol style="list-style-type: none"> 1. Change light bulb.
Agitator does not turn.	<ol style="list-style-type: none"> 1. Broken belt. 2. Bare floor selector in bare floor setting. 3. Belt installed incorrectly. 	<ol style="list-style-type: none"> 1. Replace belt. 2. Move selector to the carpet setting. 3. Check BELT CHANGING AND AGITATOR CLEANING.
Air flow restricted with attachment use. Sound changes.	<ol style="list-style-type: none"> 1. Attachment use restricts air flow. 2. New carpet fuzz clogged air path. 	<ol style="list-style-type: none"> 1. Check ATTACHMENTS. 2. Check CLOG REMOVAL and clean hose.
Excessive noise as vacuum is shut off.	<ol style="list-style-type: none"> 1. Belt rubbing on carpet/bare floor selector shaft. 	<ol style="list-style-type: none"> 1. Push selector all the way forward.

ENGLISH

NOTES

TABLA DE CONTENIDO

Antes de usar su aspiradora nueva	1	Cuidado de la aspiradora	12
Garantía de la aspiradora de Kenmore	1	Almacenamiento de la aspiradora	12
Instrucciones importantes de seguridad	2	Limpieza del exterior y de los accesorios ...	12
Piezas y características	3	Limpiando el cubo de la basura	13-14
Instrucciones de ensamblamiento	4-5	Limpieza del filtro secundario	14
Instrucciones de operación	5	Cambio/limpie del filtros	15
Ajuste y selección de nivel de pelo de la alfombra	6	Cambio de la correa y limpieza del agitador	16-18
Selector de pisos con alfombra y sin alfombra	6	Cómo eliminar los residuos de basura en los conductos	19
Desprendimiento del mango	7	Cambio de la bombilla	20
Interruptor de encendido/apagado	7	Cuidado del agitador	21
Accesorios	7-9	Reconocimiento de problemas	22
Cuadro de uso de los accesorios	10	Información de asistencia o servicio	Posterior Cubierta
Sugerencias para aspirar	10		
Características de rendimiento	11		

ANTES DE USAR SU ASPIRADORA NUEVA

Por favor lea esta guía que le ayudara a ensamblar y operar su aspiradora nueva de Kenmore en una manera más segura y efectiva.

Para mas información acerca del cuidado y operación de esta aspirador, llame a su tienda Sears mas cercana. Cuando preunte por información usted necesitará el número completo de serie y modelo de la aspiradora que está locado en la placa de los números de modelo y serie.

Use el espacio de abajo para registrar el número de modelo y serie para su nueva aspiradora de Kenmore.

Número de Modelo _____

Número de Serie _____

Fecha de Compra _____

Matenga este libro y su recibo en u lugar seguro para referencias futuras.

GARANTIA DE LA ASPIRADORA DE KENMORE

GARANTÍA LIMITADA DE UN AÑO DE LA ASPIRADORA KENMORE

Esta garantía es por un año desde la fecha de compra, e incluye solamente el uso de la aspiradora en hogares privados. Durante el año de garantía, cuando la aspiradora es operada y mantenida de acuerdo al manual de instrucciones del dueño, Sears reparará cualquier defecto en materiales o fabricación libre de cargo.

Esta garantía excluye las bolsas de colección, correas, lamparillas, y filtros, las cuales son partes gastables que se deterioran con el uso normal.

Para el servicio de garantía, retome esta aspiradora al Centro de Servicio Sears más cercano en los Estados Unidos.

Esta garantía se aplica solamente mientras este producto está en uso en los Estados Unidos. Esta garantía le da a usted derechos legales especificos, y usted puede tener también otros derechos los cuales varían de estado a estado.

Sears, Roebuck and Co., D/817 WA, Hoffman Estates, IL 60179

ESPAÑOL

INSTRUCCIONES IMPORTANTES DE SEGURIDAD



ADVERTENCIA

Su seguridad es muy importante para nosotros. Para reducir el riesgo de incendio, choque eléctrico, lesión corporal o daños al utilizar su aspiradora, actúe de acuerdo con precauciones básicas de seguridad, entre ellas:

Lea este manual antes de armar o utilizar su aspiradora.

Use su aspiradora únicamente en la forma descrita en este manual. Use únicamente con accesorios recomendados por Sears.

Para reducir el riesgo de choque eléctrico, no use su aspiradora al aire libre ni sobre superficies mojadas.

Desconecte la fuente de electricidad antes de dar servicio o limpiar. De lo contrario podría causar un choque eléctrico o lesión corporal.

Siempre debe apagar su aspiradora antes de desconectarla.

No desconecte la aspiradora tirando del cordón eléctrico. Para desconectarla, hale el enchufe, no el cordón.

No use la aspiradora si el cordón o el enchufe está dañado. Si la aspiradora no está funcionando adecuadamente o si se ha dejado caer, está dañada, se ha dejado expuesta a la intemperie o se ha dejado caer en agua, devuélvala a un Centro/ Departamento de servicio de Sears.

No hale ni transporte la aspiradora por el cordón; no use el cordón como mango; no cierre puertas sobre el cordón; no hale el cordón sobre rebordes agudos ni esquinas. No pase la aspiradora sobre el cordón. Mantenga el cordón alejado de superficies calientes.

No abandone la aspiradora cuando esté conectada. Desconéctela cuando no la esté usando y antes de darle servicio.

No permita que sea utilizada como juguete. Se requiere tener mayor cuidado cuando sea utilizada en la proximidad de niños o por niños.

No toque la aspiradora ni el enchufe con las manos mojadas.

No coloque objetos en las aberturas.

No utilice la aspiradora si alguna abertura está bloqueada; manténgala libre de polvo, pelusa, cabellos y cualquiera cosa que podría disminuir el flujo de aire.

Mantenga el cabello, ropa suelta, dedos y todas las partes del cuerpo alejados de las aberturas y piezas mecánicas.

No use la aspiradora sin tener instalada la cubo de la basura y/o los filtros.

Limpie siempre el cubo de la basura después de aspirar de la alfombra limpiadores o refrescantes, polvos y depósitos finos. Estos productos tapan los filtros, reducen el flujo de aire y pueden causar daño a la limpiadora.

No use la aspiradora para levantar objetos agudos, juguetes pequeños, alfileres, sujetapapeles, etc. Podrían dañar la aspiradora o la cubo de la basura.

No levante ninguna cosa que se esté quemando o emitiendo humo, como cigarrillos, cerillos o cenizas calientes.

No use la aspiradora para aspirar líquidos inflamables o combustibles (gasolina, líquidos para limpieza, perfumes, etc.) ni la use en lugares donde éstos podrían estar presentes. Los vapores de estas sustancias pueden crear un peligro de incendio o explosión.

Tenga cuidado especial al utilizar la aspiradora en escalones. No la coloque sobre sillas, mesas, etc. Manténgala en el piso.

Usted es responsable de asegurar que su aspiradora no sea utilizada por ninguna persona que no pueda manejarla correctamente.

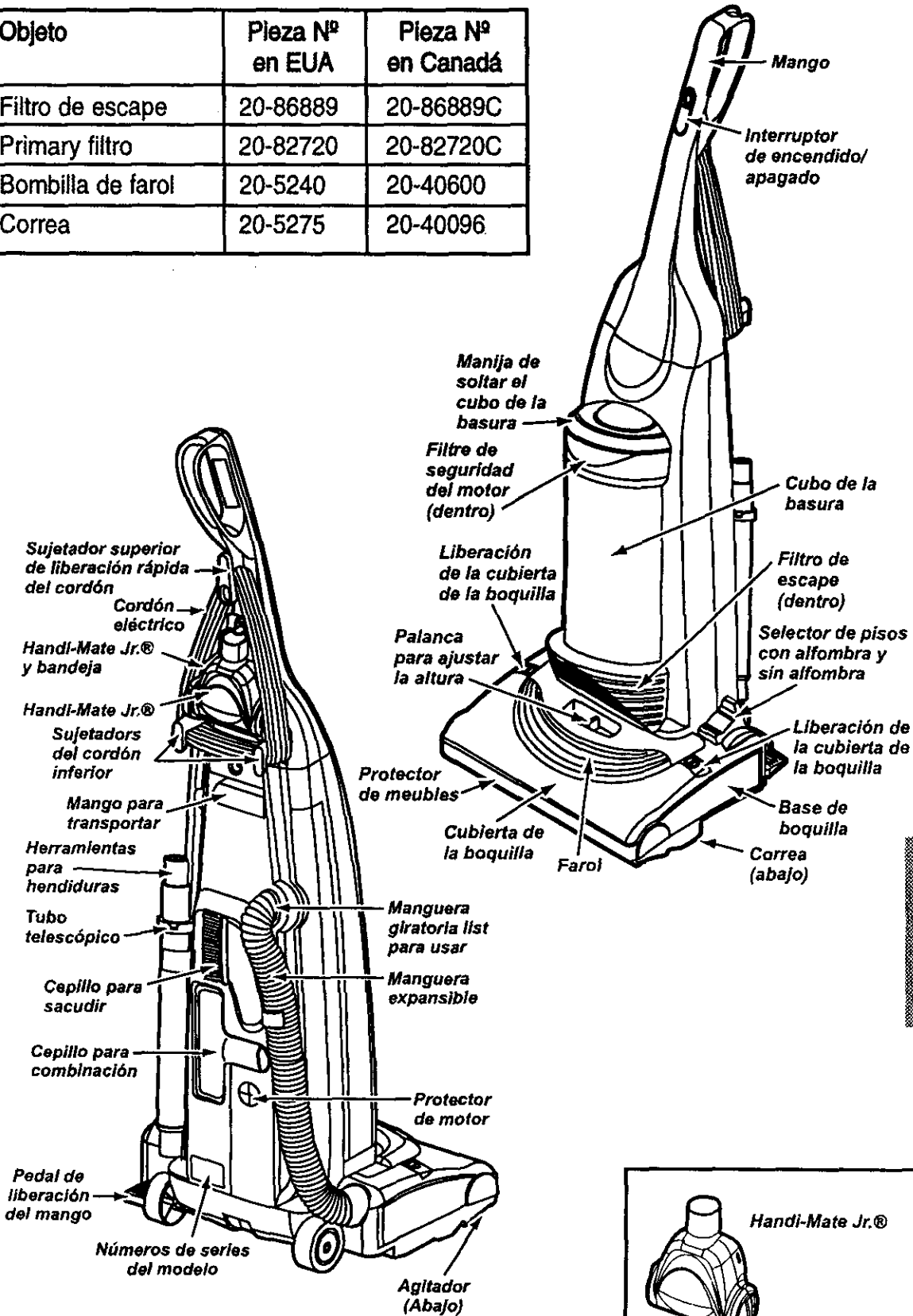
GUARDE ESTAS INSTRUCCIONES

El armado y uso seguro de su aspiradora son su responsabilidad. Esta aspiradora ha sido diseñada exclusivamente para uso doméstico. La aspiradora deberá almacenarse en un lugar seco y en el interior. Lea este Manual del propietario detenidamente, pues contiene información importante sobre seguridad y uso. Esta quia contiene información sobre seguridad debajo de símbolos de advertencia. Por favor ponga atención especial a estas instrucciones dadas. **Advertencia:** Esta información le alertará con el poligro de fuego, choques electricos, quemadas y lesiones. **Cuidado:** Este información le alertara a peligros como lesiones y daños de propiedad.

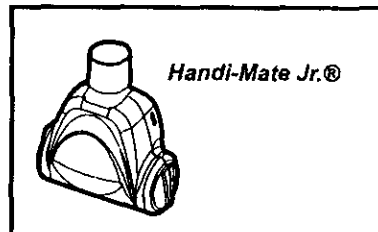
CARACTERÍSTICAS DE ASPIRADORA

Es importante conocer las piezas y características de su aspiradora para asegurar su uso adecuado y seguro. Exámínelas antes de usar su aspiradora.

Objeto	Pieza Nº en EUA	Pieza Nº en Canadá
Filtro de escape	20-86889	20-86889C
Primary filtro	20-82720	20-82720C
Bombilla de farol	20-5240	20-40600
Correa	20-5275	20-40096



ESPAÑOL



INSTRUCCIONES DE ENSAMBLAMIENTO



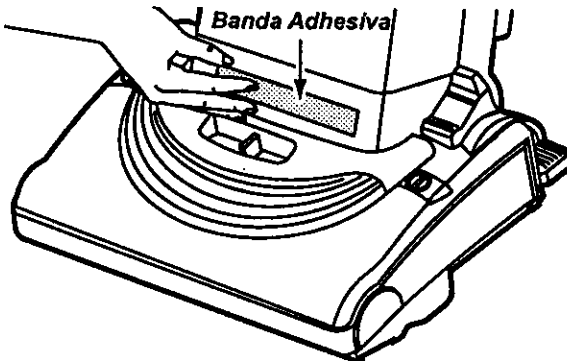
ADVERTENCIA

Peligro de choque eléctrico

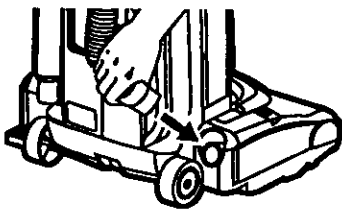
No conecte la aspiradora hasta que termine de armarla. De lo contrario podría causar un choque eléctrico o lesión corporal.

Antes de armar la aspiradora, chequee la LISTA DE EMBALAJE en la cubierta separada de la Lista de Partes para Reparación. Use esta lista para verificar que ha recibido todas las componentes de su nueva aspiradora Kenmore.

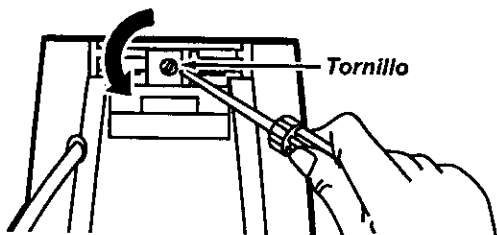
Retrar la banda adhesiva ubicada debajo de la cubierta de polvo en la caja del motor.



Fije el cabo de la manguera expansible a la boquilla como se muestra.



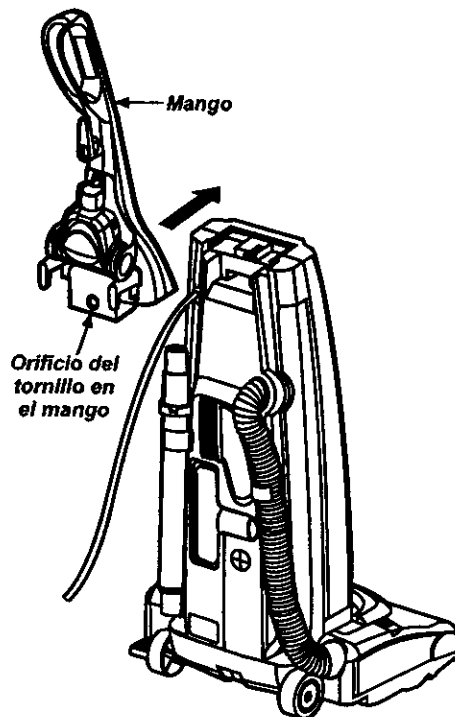
MONTAJE DEL MANGO



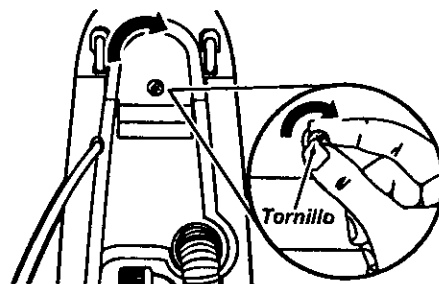
Quite el tornillo del mango localizado justo debajo del borde superior de la parte posterior de la aspiradora, ver ilustración de arriba.

Coloque el mango como se ve en el diagrama abajo.

Al mantener la manguera de manera que no interfiera, mueva el mango a la abertura en la parte superior de la aspiradora.



Inserte el tornillo para que pase por el mango de la aspiradora.



Empiece a apretar el tornillo con los dedos. Quizá sea necesario ajustar un poco el mango.

Apriete el tornillo con un destornillador.



CUIDADO

No apriete demasiado el tornillo.

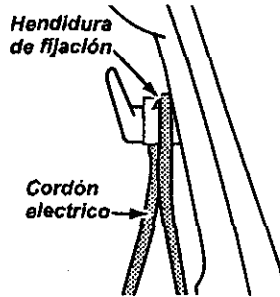
Si lo aprieta demasiado podría arruinar los orificios para el tornillo.

No opere la aspiradora sin tener instalado el tornillo.

COLOCACIÓN DEL CORDÓN

Asegúrese de que el sujetador superior del cordón de liberación rápida se encuentre en posición vertical. Quite el alambre con el que está atado el cordón eléctrico.

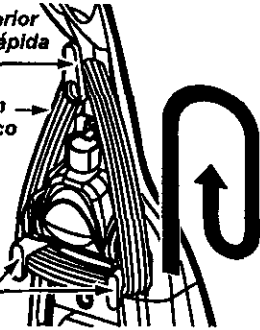
Fije el cordón en posición, forzándolo en la ranura de bloqueo ubicada en el cuerpo del sujetador superior del cordón, como se muestra. Esto ayuda a que el cordón no se enrede debajo del agitador de la aspiradora.



Sujetador superior de liberación rápida del cordón

Cordón eléctrico

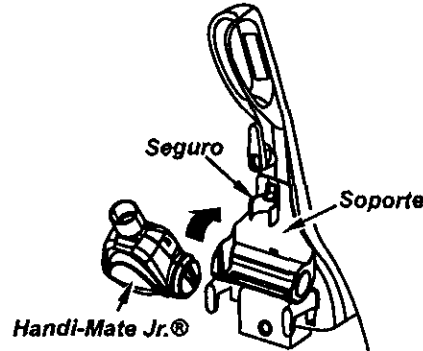
Sujetadores inferior del cordón



Enrolle el cordón eléctrico alrededor de los sujetadores superior e inferior y presione la ranura del enchufe sobre el cordón.

HANDI-MATE JR.®

Para operar el Handi-Mate Jr.® ver manual del dueño separado.



PARA INSERTAR EL HANDI-MATE JR.®

Coloque la parte de atrás del Handi-Mate Jr.® adentro de la caja.

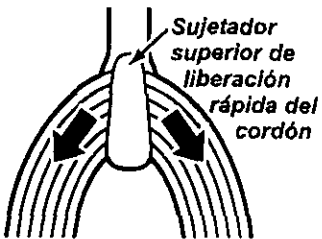
Rote el Handi-Mate Jr.® hacia atrás hasta que calce en su lugar.

PARA SACAR EL HANDI-MATE JR.®

Levante en el picaporte y rote el Handi-Mate Jr.® fuera de la caja.

INSTRUCCIONES DE OPERACIÓN

PARA COMENZAR



Gire el sujetador del cordón de lado a lado y hacia abajo para liberar el cordón eléctrico.

Desprenda el enchufe del cordón eléctrico y quite el cordón del sujetador superior. Compruebe que el cordón eléctrico sigue fijado en la ranura de bloqueo del sujetador superior.

NOTA: Para reducir el riesgo de choque eléctrico, esta aspiradora cuenta con una clavija polarizada, uno de los contactos es más ancho que el otro.

La clavija sólo puede introducirse de una manera en el enchufe. Si la clavija no cabe bien en el enchufe, inviértala. Si aún no cabe, llame a un electricista para que instale un enchufe correcto. No altere la clavija de ninguna manera.

Conecte el cordón eléctrico polarizado en un enchufe de 120 voltios que se encuentre cerca del piso.

ESPAÑOL



ADVERTENCIA

Peligro de lesión personal y daño al producto

- NO conecte la aspiradora si el interruptor está en la posición ON. Podría resultar en lesión personal o daño.
- NO use los enchufes localizados sobre los muebles. Los objetos cercanos podrían resultar dañados.

AJUSTE Y SELECCIÓN DE NIVEL DE PELO DE LA ALFOMBRA

Para seleccionar un ajuste de nivel de pelo de la alfombra:

Apague la aspiradora. Seleccione un nivel de ajuste inclinando la aspiradora hacia atrás hasta que las ruedas delanteras estén un poco despegadas del piso.

Deslice la palanca de ajuste de nivel de pelo de la alfombra a la posición deseada.

SUGERENCIAS DE AJUSTE DE NIVEL DE PELO ALFOMBRA

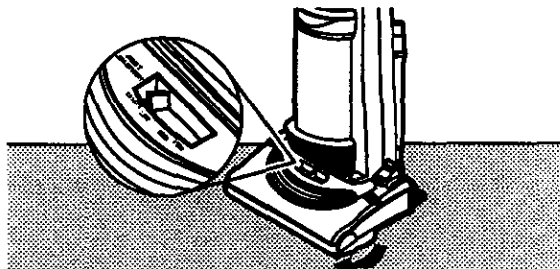
Para que se le faciliten algunas tareas de limpieza, como por ejemplo tapetes afeitados y alfombras de pelo largo, puede que sea necesario elevar el ajuste de nivel de pelo de la alfombra. Los ajustes sugeridos son los siguientes.

HIGH: pelo áspero y lanudo, pelo largo, felpa, alfombras o tapetes irregulares.

MED: pelo mediano o poco largo.

LOW: pelo corto o mediano.

EX LOW: pelo muy corto.



ADVERTENCIA

Peligro de lesión personal

NO PONE las manos o los pies debajo de la aspiradora cuando cambie de la selección de pisos sin alfombra hasta la selección de nivel de pelo de la alfombra. El agitador gire rápidamente cuando la aspiradora está encendida y está en la selección de pisos con alfombra.

SELECTOR DE PISOS CON ALFOMBRA Y SIN ALFOMBRA

ALGUNOS MODELOS

Para seleccionar el ajuste de piso descubierto: Oprima el botón de selección hasta atrás y debajo de la boquilla hasta que se sienta asegurado.

En esta posición el agitador no da vueltas. Esta posición debe estar usada para el limpiado de piso de madera y mosaico y cuando se usan algunos accesorios (herramientas).

Selección de pisos con alfombra: Oprime el botón completamente hasta el frente y por arriba hasta la posición de pisos con alfombra.

En esta posición el agitador da vueltas. Cuando se limpia alfombras, el selector tiene que estar en esta posición.

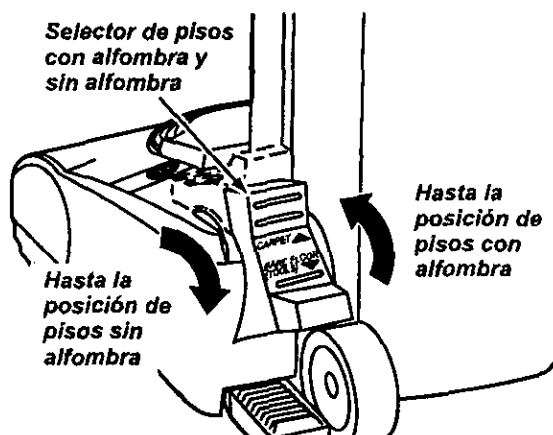
Atención: Refiérase a las recomendaciones del fabricante para limpiar su alfombra. Algunas alfombras más delicadas pueden requerir el uso de la aspiradora con el agitador desconectado para prevenir que la alfombra sea dañada.



CUIDADO

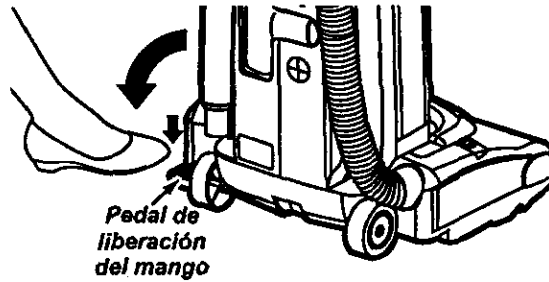
No deje permanecer la aspiradora en un solo lugar durante ningún tiempo cuando el agitador está rotando. Se puede dañar la alfombra.

Nota: Para la vida más larga de la correa, apague la aspiradora antes de mover el selector. Si usted no lo hace de esta manera, puede causar que la correa frota el eje del selector y puede calentar y causar que se quemara la correa que causaría un olor quemado.



DESPRENDIMIENTO DEL MANGO

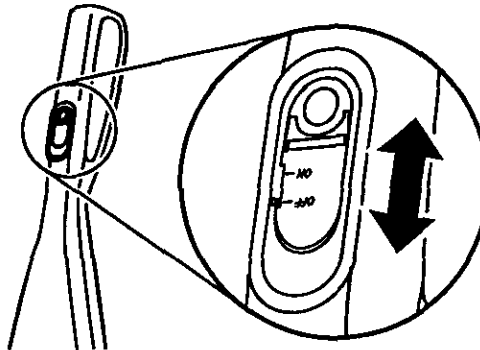
Desprenda el mango pisando el pedal de liberación y tirando del mango hacia abajo con la mano.



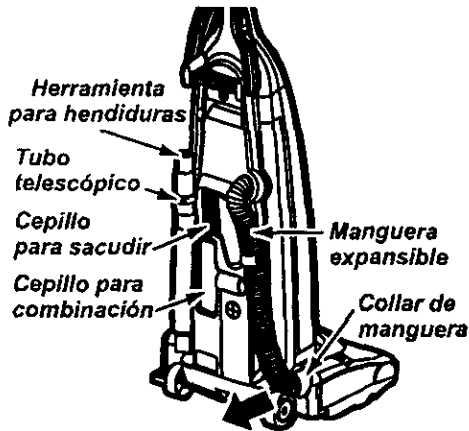
INTERRUPTOR DE ENCENDIDO/APAGADO

MONTADO EN EL MANGO

Para arrancar la aspiradora, deslice el interruptor de encendido/apagado de la posición OFF a la posición ON. Para detenerla, coloque el interruptor en la posición OFF.



ACCESORIOS



Identifique cada uno de los accesorios mostrados a continuación.

CÓMO UTILIZAR LOS ACCESORIOS

Para seleccionar la selección de pisos sin alfombra, gira el selector atrás y abajo hasta la selección de pisos sin alfombra. Ver sección de PISOS CON ALFOMBRA Y SIN ALFOMBRA.

Cuando regrese hasta la selección de pisos con alfombra, cuida que el selector puede moverse rápidamente hasta la selección a causa de la tensión de la correa.

Saca la parte inferior de la manguera expansible de la aspiradora y tirando por atrás. Ahora se puede conectar la manguera.

Nota: La válvula de desviación puede estar abierta mientras se usan los accesorios o para limpiar una alfombra nueva a causa de un flujo reducido de aire por los accesorios mismos o por la pelusa de la alfombra que llene el cubo de la basura rápidamente. Consulte el cuadro RECONOCIMIENTO DE PROBLEMAS.

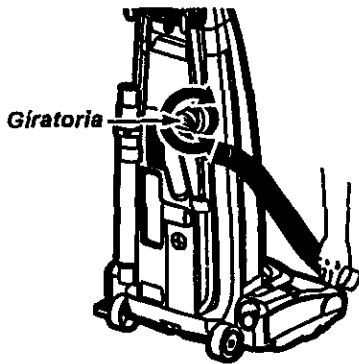
ESPAÑOL



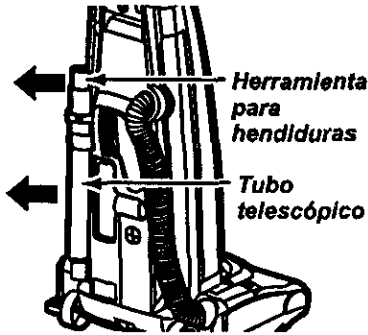
ADVERTENCIA

Peligro de choque eléctrico o lesión corporal
Desconecte la unidad antes de limpiarla o darle servicio. De lo contrario podría producirse un choque eléctrico o causar lesión corporal si la aspiradora arranca de manera imprevista.

La manguera incorporada gira para facilitar la limpieza en cualquier dirección. Para quitar la manguera, tire de la manguera del collar.



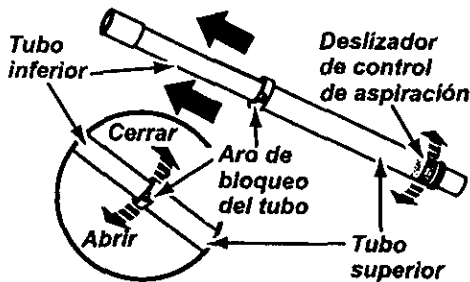
TUBO TELESCÓPICO CON CONTROL DE ASPIRACIÓN ALGUNOS MODELOS



Saque el tubo telescópico de su lugar de almacenamiento dentro del tubo. Gire el aro de bloqueo hasta la posición UNLOCK.

Retire la herramienta para hendaduras de su lugar de almacenamiento dentro del tubo. Gire el aro de bloqueo hasta la posición UNLOCK.

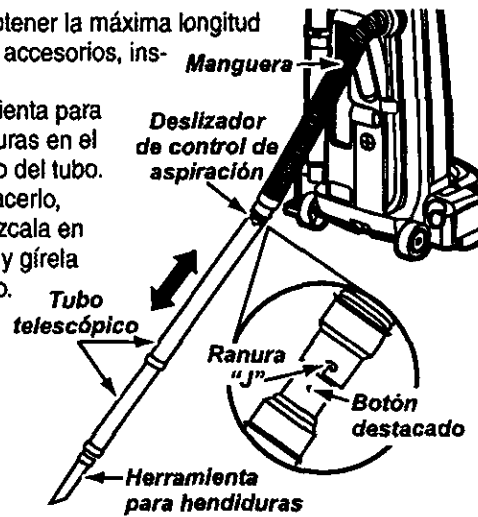
Despliegue el tubo completamente. Gire el aro de bloqueo del tubo hasta la posición LOCK. Instale el tubo de extensión en el extremo abierto de la manguera.



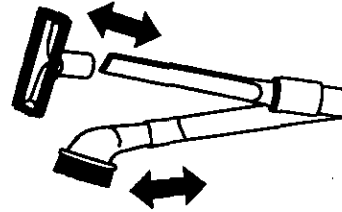
Alinee las pestañas del tubo de extensión con las ranuras en forma de "J" de la manguera. Empuje el tubo dentro de la manguera y gire hacia la derecha para bloquearlo.

Para obtener la máxima longitud con los accesorios, ins-
tále la

herramienta para hendaduras en el extremo del tubo. Para hacerlo, introdúzcala en el tubo y gírela un poco.



Cuando use el cepillo para sacudir o el cepillo para combinación, puede instalarlos directamente en el tubo o en extremo de la herramienta para hendaduras.

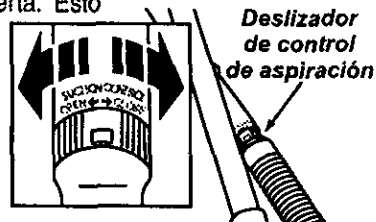


PARA OPERAR EL DESLIZADOR DE CONTROL DE ASPIRACIÓN

Tubo telescópico

Cuando use accesorios para limpiar cortinas, tapetes pequeños de pelo corto y otros artículos delicados, gire el deslizador de control de aspiración a la posición abierta. Esto reducirá la potencia de aspiración para facilitar la limpieza.

Este selector se encuentra en el tubo telescópico, cerca de la manguera.



Nota: Coloque el deslizador de control de aspiración a la posición cerrada para la limpieza normal.



CUIDADO

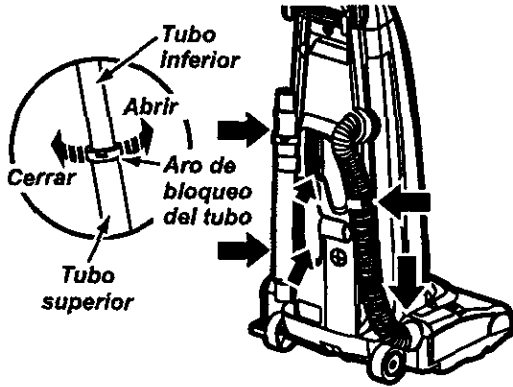
Cuando use los accesorios, tenga cuidado de no estirar demasiado la manguera expansible para tratar de alcanzar más lejos. Si trata de estirar la manguera más de lo debido, podría causar que la aspiradora se venga abajo. Asegúrese de que el selector para alfombra/sin alfombra esté en la posición para "sin alfombra". Se puede hacer daño a la superficie del piso si el selector para alfombra/sin alfombra esté en la posición para "alfombra".

ALMACENAJE DE LOS ACCESORIOS

Retire el cepillo para sacudir o el cepillo para combinación. Colóquelos firmemente en su lugar de almacenamiento correspondiente.

Retire la herramienta para hendiduras del tubo girándola. Póngala a un lado.

Retire el tubo de extensión de la manguera. Gire el tubo hacia la izquierda y tire del extremo de la manguera.



CUIDADO

NO tire de la aspiradora por la manguera en la habitación. Podrían ocurrir daños a sus pertenencias.

Desbloquee el tubo girando el aro de bloqueo hasta la posición **UNLOCK**.





Deslice el tubo inferior dentro del tubo superior. Gire el aro de bloqueo del tubo a la posición **LOCK**.

Introduzca la herramienta para hendiduras dentro del tubo comprimido. Instale bien en su posición de almacenamiento.

Asegúrese de que la unidad esté apagada. Inserte nuevamente la manguera completamente dentro de la abertura ubicada en la parte inferior de la aspiradora, de donde la sacó inicialmente.

ESPAÑOL

CUADRO DE USO DE LOS ACCESORIOS

ÁREA A LIMPIAR						
ACCESORIO	Muebles*	Entre cojines*	Cortinas*	Escalones	Paredes	
CEPILLO PARA SACUDIR 	X		X			X
HERRAMIENTA PARA HENDIDURAS 	X	X		X		
CEPILLO PARA COMBINACIÓN 	X		X	X		
Handi-Mate Jr.* 	X			X		

* Siempre limpie los accesorios antes de usar sobre telas.

SUGERENCIAS PARA ASPIRAR

Orillas de alfombras

Guíe uno de los costados o la parte anterior de la boquilla a lo largo del borde de la pared. Los cepillos largos ayudan a aspirar la tierra en las orillas de las alfombras.

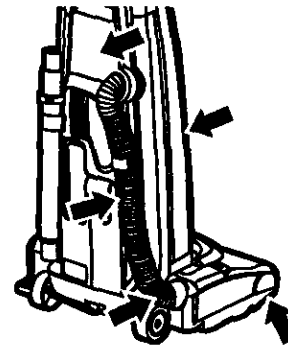
Escalones

Coloque el mango en la posición vertical. Mueva el selector de piso con alfombras y sin alfombras a la posición sin alfombras. Use la herramienta para hendiduras o el cepillo para telas. Coloque el interruptor de encendido/apagado en ON.

Para obtener los mejores resultados de limpieza, mantenga desbloqueados los conductos de flujo de aire.

Examine de vez en cuando cada una de las zonas que se indica podrían causar bloqueo.

Desconecte la aspiradora del enchufe antes de examinarla.



ADVERTENCIA

Peligro de lesión personal

Actúe con precaución si coloca la aspiradora sobre escalones. Si se cae, podría causar lesión personal o daño a la propiedad.

CARACTERÍSTICAS DE RENDIMIENTO

SISTEMA DE PROTECCIÓN DE MOTOR

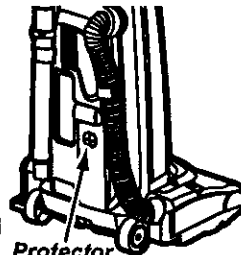
Protector Termal

Esta aspiradora tiene un protector termal que se ajusta automáticamente para proteger a la aspiradora del sobrecalentamiento. Si una obstrucción impide el flujo normal de aire al motor, el protector termal apaga el motor automáticamente para permitir que el motor se enfríe a fin de evitar posibles daños a la aspiradora. Durante este tiempo la luz delantera se mantiene prendida.

Para corregir el problema: Si esto ocurre, apague la aspiradora y desenchufe el cordón del tomacorriente para permitir que la aspiradora se enfríe y que el protector termal se reajuste. **Busque y saque las obstrucciones, si es necesario. Examine también y reemplaza/limpie cualquier filtro obstruido. Espere aproximadamente treinta (30) minutos y enchufe la aspiradora y voltéela para ver si el protector del motor se ha reajustado. El protector del motor no se reajustará si no se ha apagado la aspiradora aun cuando la aspiradora se haya enfriado.**

Protector de motor

Esta aspiradora tiene una válvula de desviación que sirve como protector de motor que se abre automáticamente para proveer un flujo de aire al motor cuando un zueco impida que circule el aire al motor. Si se abre la válvula bypass para impedir que se recalente el motor y que no haga daño a la aspiradora, se notará un cambio de sonido mientras el aire por la abertura de la válvula.



Protector de motor

Nota: No obstruye el protector de motor.

Para corregir el problema: Consulte el cuadro RECONOCIMIENTO DE PROBLEMAS.

Nota: La válvula de desviación puede estar abierta mientras se usan los accesorios o para limpiar una alfombra nueva a causa de un flujo reducido de aire por los accesorios mismos o por la pelusa de la alfombra que llena la cubo de la basura rápidamente. Consulte el cuadro RECONOCIMIENTO DE PROBLEMAS.

ESPAÑOL

CUIDADO DE LA ASPIRADORA

Siga siempre todas las instrucciones de seguridad al limpiar y darle servicio a su aspiradora.

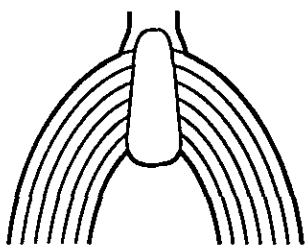


ADVERTENCIA

Peligro de choque eléctrico o lesión corporal
Desconecte la unidad antes de limpiarla o darle servicio. De lo contrario podría producirse un choque eléctrico o causar lesión corporal si la aspiradora arranca de manera imprevista.

ALMACENAMIENTO DE LA ASPIRADORA

Recoja el cordón y enróllelo en los sujetadores superior e inferior, sin que quede muy apretado.



Guarde la aspiradora bajo techo en un lugar seco, con el mango en posición vertical.



ADVERTENCIA

Peligro de choque eléctrico o lesión corporal
Si enrolla el cordón muy apretado puede tensarlo mucho y causarle daños. De dañarse, el cordón podría causar descargas eléctricas y lesiones o daños personales.

LIMPIEZA DEL EXTERIOR Y DE LOS ACCESORIOS

Desconecte el cordón eléctrico de la clavija de la pared.

Limpie el exterior con un trapo suave y limpio, que ha sido exprimido después de remojar en una solución de agua y detergente líquido ligero. Seque el exterior con un trapo seco después de limpiar. **NO choree agua sobre la aspiradora.**

Lave los accesorios en agua tibia jabonosa, enjuague y deje secar al aire. **No los lave en lavadora de platos.**



CUIDADO

No use los accesorios si están mojados. Los accesorios que se utilicen en áreas sucias, debajo del refrigerador, no deben usarse en otras superficies sin antes ser lavados. Podrían dejar marcas.

LIMPIANDO EL CUBO DE LA BASURA

Siempre vacíe el cubo de la basura cuando el nivel de basura alcanza la línea "MAX FILL."

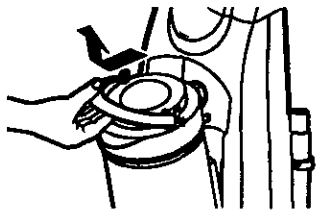
PARA SACAR EL CUBO DE LA BASURA:



ADVERTENCIA

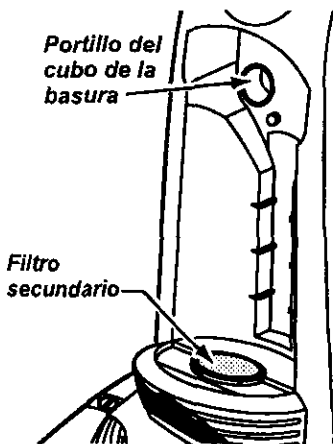
Siempre desconecte el cordón eléctrico antes de reparar alguna parte de la aspiradora.

Levante la manija del cubo de la basura ubicada al tope del cubo de la basura.



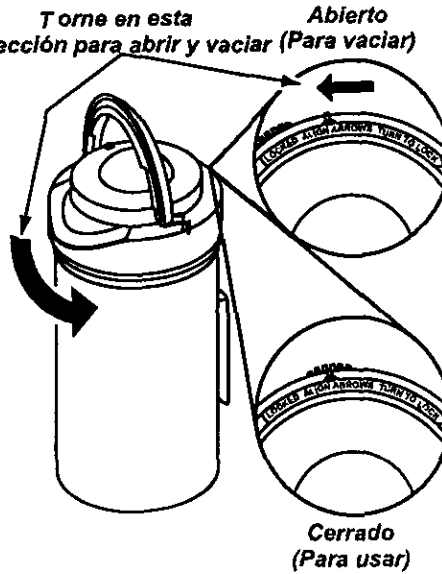
Tire de la manija hacia adelante y levante el cubo de la basura hacia arriba y afuera de la aspiradora.

Remueva cualquier obstáculo que pueda estar localizado en la entrada del cubo de la basura o en el filtro secundario.

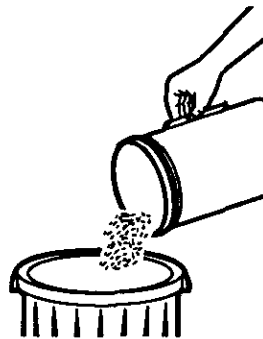


PARA VACIAR EL CUBO DE LA BASURA

Torne en esta dirección para abrir y vaciar (Para vaciar)



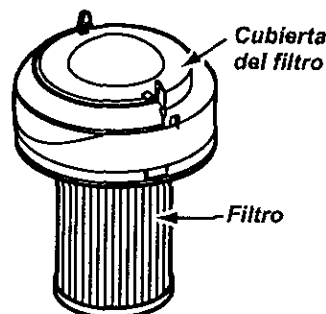
Rote el montaje de la tapa del canasto de basura contra las agujas del reloj como está indicado en la tapa y levántela hacia afuera.



Vacíe el contenido del cubo de la basura adentro del tarro de basura.

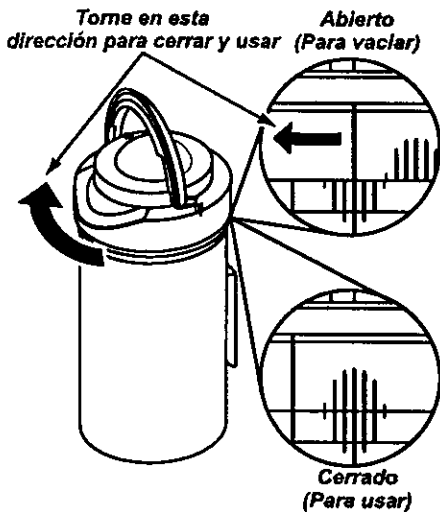
PARA LIMPIAR EL PRE-FILTRO

El filtro puede limpiarse golpeandolo sobre una superficie firme o enjuagandolo bajo una liare de agua. Enjuagar con agua solamente, no utilizar detergente o jabón. Dejar que el filtro se seque por 24 horas antes de poner de regreso en la aspiradora.



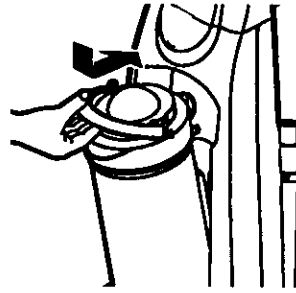
ESPAÑOL

PARA REEMPLAZAR EL CUBO DE LA BASURA



Reemplace el montaje de la tapa del canasto de basura poniéndolo de vuelta sobre el canasto de basura con las marcas en la tapa alineadas como se muestra bajo Abierto (Para Vaciar) en la parte de atrás del canasto de basura. Rote la tapa como las agujas del reloj mientras aprieta hacia abajo de modo que las marcas se alinean como se muestra arriba de Cerrado (Para Usar).

Ponga el cubo de la basura de vuelta adentro de la aspiradora insertando el fondo primero e inclinando atrás con la manija del cubo de la basura levantada.



Baje la manija del cubo de la basura para ajustar el cubo de la basura en su lugar

LIMPIEZA DEL FILTRO SECUNDARIO

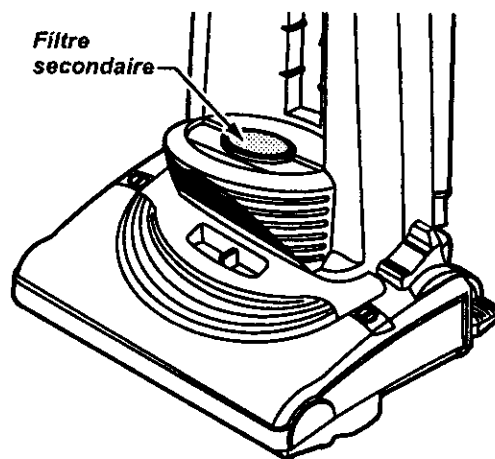
Revisar frecuentemente el filtro secundario y limpiarlo cuando esté sucio.

Remueva el cubo para basura como en la ilustración en la sección de LIMPIEZA DEL CUBO PARA BASURA.

Para limpiar la cubierta del filtro, límpiela con un trapo seco.

NOTA: La cubierta del filtro es removible.

Reemplace el cubo de basura como en la ilustración en la sección de LIMPIEZA DEL CUBO PARA BASURA.



CAMBIO/LIMPIEZA DE FILTROS



ADVERTENCIA

Peligro de choque eléctrico

Desenchufe el cable de poder del tomacorriente. No opere la limpiadora sin el filtro primario o el filtro de escape. Está seguro que el filtro esté instalado propiamente para prevenir falla del motor y/o sacudida eléctrica.

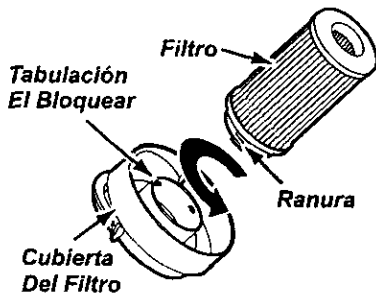
FILTRO PRIMARIO

Examine el filtro primario de vez en cuando y limpie cuando esté sucio.

PARA SACAR EL FILTRO PRIMARIO

Remueva el cubo de la basura y el ensemble de la tapa del cubo de la basura como se describe en la sección LIMPIANDO EL CUBO DE LA BASURA.

Agarre el filtro, rote y levántese.



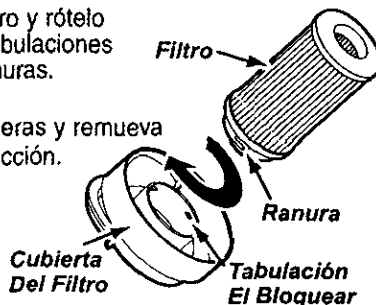
Limpie el filtro primario golpeándolo suavemente con sus manos sobre un contenedor de basura. Golpeélo suavemente en diferentes lados para botener mejor limpieza. **Si necesario, enjuagúe con agua únicamente.** (Ver página 14).

Una vez que haya limpiado el filtro, la aspiradora perderá la potencia máxima de succión, necesitará reemplazar el filtro.

PARA REEMPLAZAR EL FILTRO PRIMARIO

Substituya el filtro y rótelo hasta que las tabulaciones bloquean en ranuras.

Chequee correderas y remueva cualquier obstrucción.



NOTA: Bajo uso y cuidado normal, su filtro puede llegar a durar hasta 3 años.

FILTRO DE ESCAPE HEPA

Este cartucho del filtro escape se tiene que cambiar esté sucio. Debe cambiarse periódicamente según las condiciones de uso.

El filtro no se puede lavar pues perderá su capacidad para atrapar altrapar polvo.

Apriete hacia adentro de cada lado de la cubierta del filtro de escape y tire hacia afuera para remover de la aspiradora de polvo.

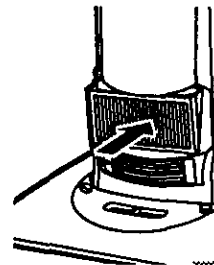


Remueva el cartucho del filtro de escape.



Empuje únicamente el cartucho de filtro, no el filtro mismo.

Reemplace la cubierta del filtro de escape poniendo las lengüetas en las ranuras y empujando adentro hasta que la cubierta catza en su lugar.



ESPAÑOL

CAMBIO DE LA CORREA Y LIMPIEZA DEL AGITADOR



ADVERTENCIA

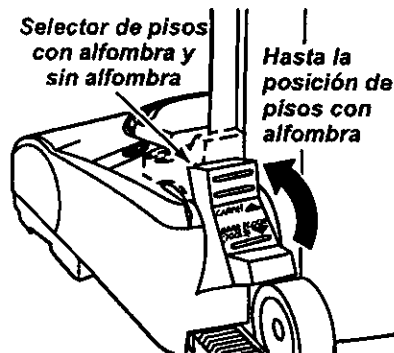
Peligro de choque eléctrico o lesión corporal

Desconecte la unidad antes de limpiarla o darle servicio. De lo contrario podría producirse un choque eléctrico o causar lesión corporal si la aspiradora arranca de manera imprevista.

Frecuentemente revise el área del cepillo y quite todo pelo, cordón o pelusa que se haya acumulado. Si la acumulación es excesiva, siga las instrucciones a continuación.

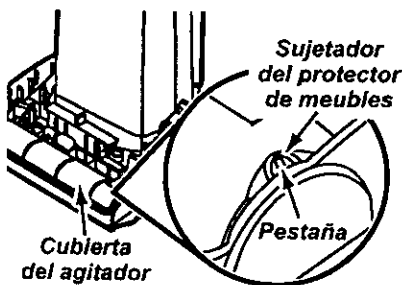
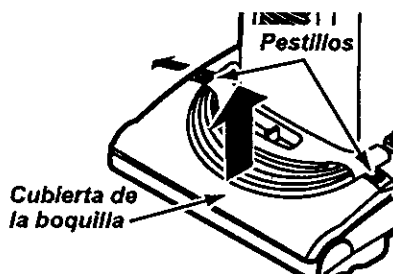
PARA QUITAR LA CORREA

Desconecte el cordón eléctrico del enchufe.

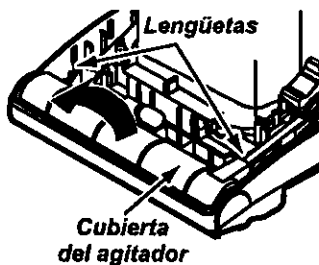


Mueva el selector de pisos con alfombra y sin alfombra a la posición a la posición con alfombra y baje la manija para que la aspiradora descansa plana.

Deslice las liberaciones hacia afuera y quite la cubierta de la boquilla.

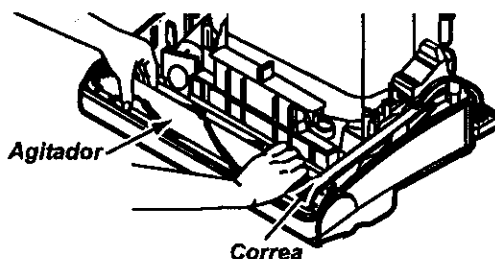


Suelte los sujetadores del protector de muebles de las pestañas en ambos lados de la cubierta del agitador.



Tire hacia abajo de las lengüetas en la parte trasera del agitador y ruéde hacia adelante para liberar de la unidad de boquilla.

No es necesario quitar el ensamble de portalámparas. Coloque al lado la cubierta del agitador.



Coloque las manos en el agitador. Si la correa ya está instalada en el agitador, habrá tensión en el agitador. Tenga cuidado cuando levanta el agitador de la boquilla.

Nota: puede ser necesario tirar del borde del protector de muebles para que los extremos del rotor se puedan sacar con facilidad.

Quite la correa o rota del eje de transmisión del motor.

Una correa de repuesta está disponible. Véa a la ilustración para la locación de la correa de repuesta. La correa de repuesta se puede guardar en el mismo sitio.



ADVERTENCIA

Peligro de lesión personal

Tenga cuidado al quitar el cepillo cilíndrico, la tensión de la correa es grande. Si no tiene precaución podría sufrir una lesión personal si el cepillo se libera rápidamente y sale disparado.

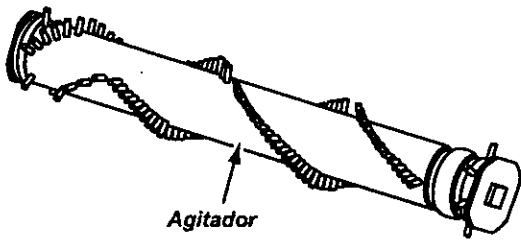
NOTA: Para mantener una alta eficiencia de limpieza y evitar el daño a la aspiradora, hay que limpiar el agitador cada vez que se cambia la correa.

También hay que limpiar el agitador según el siguiente horario:

El uso de la aspiradora	Limpie el agitador
Frecuente - (usada diariamente)	cada semana
Moderado - (usada 2 o 3 veces por semana)	cada mes
Ligero - (usada 1 vez por semana)	cada 2 meses

Retire todo indicio de basura o suciedad de la zona de la correa y del agitador.

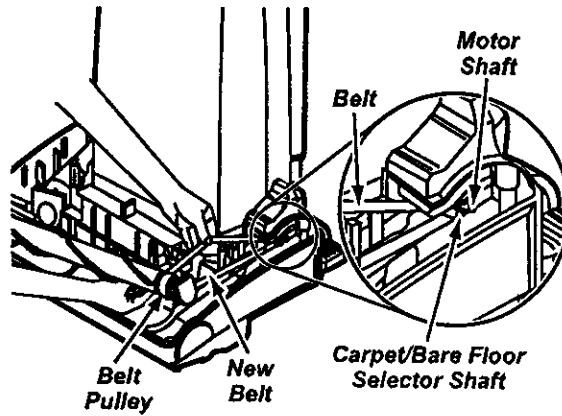
Agitador



Con cuidado quite las tapas y quite el hilo o los restos ubicados en el agitador, en los soportes del cepillo, o en el eje del agitador.

PARA CAMBIAR LA CORREA

Asegurase que el selector de pisos con y sin alfombra este en la posición de pisos con alfombra. Coloque la nueva correa alrededor del eje de transmisión del motor.

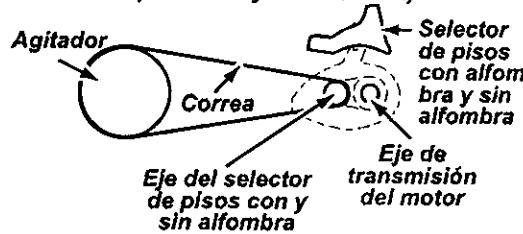


CORREA SOBRE LA RANURA GUIA

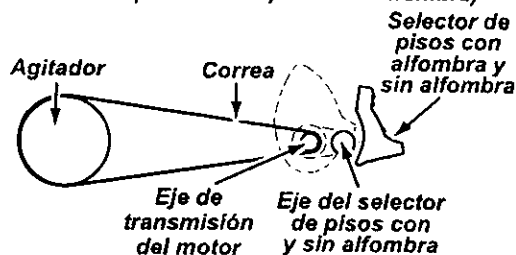
Correa Está Centrada Sobre la Ranura Guía
(Selector de pisos con y sin alfombra este en la posición de pisos con alfombra)



Correa No Está Centrada Sobre la Ranura Guía
(Correa alrededor del eje del selector de pisos con y sin alfombra)



Correa No Está Centrada Sobre la Ranura Guía
(El selector de pisos con y sin alfombra este en la posición de pisos sin alfombra)

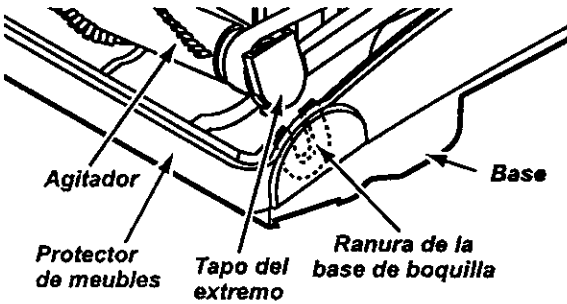


Nota: Consulte las PIEZAS AND CARACTERÍSTICAS para determinar el N°. de correa.

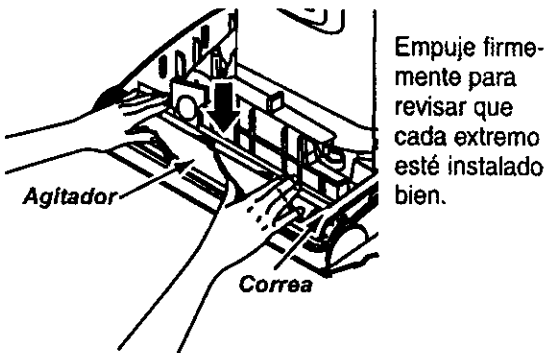
Ensarte la correa nueva sobre el agitador.

Inserte el agitador por insertar la parte redonda de la tapa en la ranura de la base de la boquilla.

Nota: Puede ser necesario sacar o arrimar el protector de muebles para poder insertar con facilidad el agitador en la base de la boquilla.

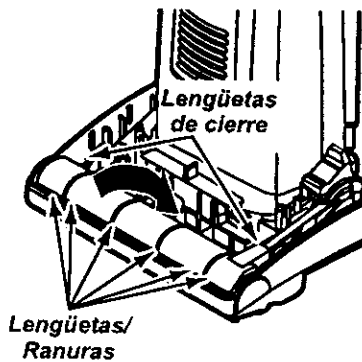


Nota: Debido a la tensión de la correa, debe actuar con cuidado al instalarla.



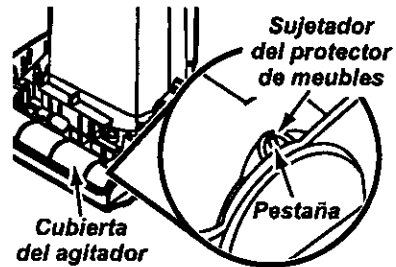
Revise que la correa esté en el centro de la polea. Gire el agitador con sus dedos hasta que gire libremente el agitador.

Para colocar la cubierta del agitador, inserte las seis (6) lengüetas en las ranuras en la parte adelante de la base de la boquilla.

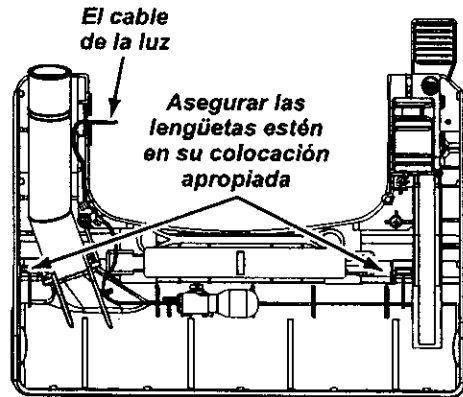


Baje la cubierta del agitador a la posición original. Después de colocar la cubierta del agitador. Empuje hacia adelante en las dos (2) lengüetas de cierre para asegurar que estén en su colocación apropiada.

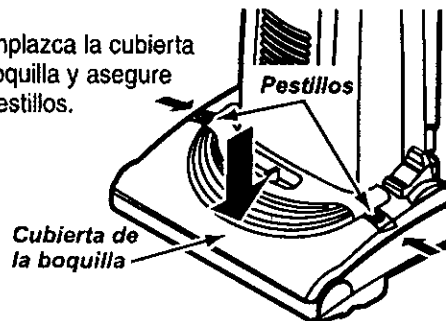
Abroche los sujetadores del protector de muebles a las pestañas en ambos lados de la cubierta del agitador.



Nota: Si la cubierta del agitador, empuje hacia adelante en las dos (2) lengüetas de cierre para asegurar que estén en su colocación apropiada. Asegúrese que los cables de la luz esté bien instalada.



Reemplazca la cubierta de boquilla y asegure las pestillos.



CÓMO ELIMINAR LOS RESIDUOS DE BASURA EN LOS CONDUCTOS

Proceda siempre con precauciones de seguridad al limpiar y dar servicio la aspiradora.

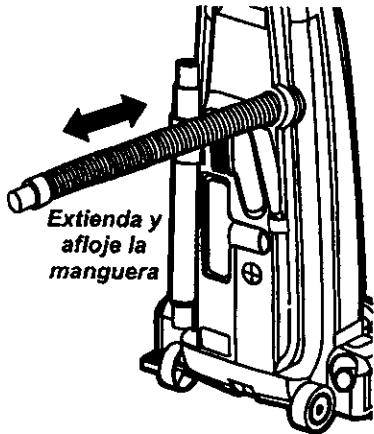


ADVERTENCIA

Peligro de choque eléctrico o lesión corporal
Desconecte la unidad antes de limpiarla o darle servicio. De lo contrario podría producirse un choque eléctrico o causar lesión corporal si la aspiradora arranca de manera imprevista.

Si considera que la aspiradora no aspira bien asegúrese primero de que la bolsa no esté llena y de que el filtro no esté atascado. Consulte las instrucciones sobre CAMBIO DE LA BOLSA PARA POLVO y LIMPIEZA DES FILTROS.

Si las zonas del filtro y la cubo de la basura no están atascadas, examine la zona de la manguera. Retire el extremo inferior de la manguera expansible de la aspiradora tomándola por el collar y tirando de hacia arriba.



Extienda y afloje la manguera

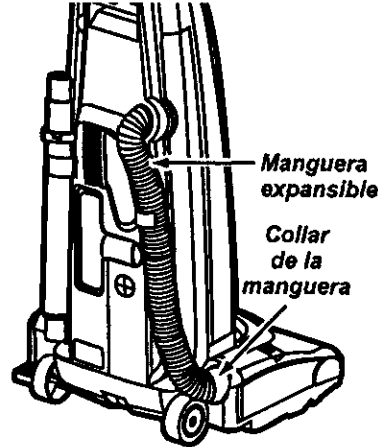
Enchufe la aspiradora y enciéndala. Estire al máximo la manguera y luego permita que se encoja hasta su tamaño normal de almacenamiento.

Apague la unidad y desconéctela.

Examine visualmente la zona de la base donde se inserta la manguera.

Retire cualquier material bloqueante.

Inserte nuevamente la manguera en la abertura de la parte inferior de donde la retiró. Empuje con firmeza para asegurarse de que quede bien conectada.



Si las zonas del filtro y la cubo de la basura y las zonas de la manguera no están atascadas, examine la zona de la boquilla. Para examinar dicha zona, consulte la sección sobre CAMBIO DE LA CORREA Y LIMPIEZA DEL AGITADOR.



ADVERTENCIA

Peligro de lesión personal

NO coloque nunca las manos ni los pies debajo de la unidad. El agitador dará vueltas rápidamente cuando la aspiradora esté encendida y esté en la posición "carpet setting" (con alfombra).

Coloque la aspiradora en la posición vertical antes de conectarla en el enchufe.

ESPAÑOL

CAMBIO DE LA BOMBILLA



ADVERTENCIA

Peligro de choque eléctrico o lesión corporal. Desconecte la unidad antes de limpiarla o darle servicio. De lo contrario podría producirse un choque eléctrico o causar lesión corporal si la aspiradora arranca de manera imprevista.

PARA QUITAR LA BOMBILLA

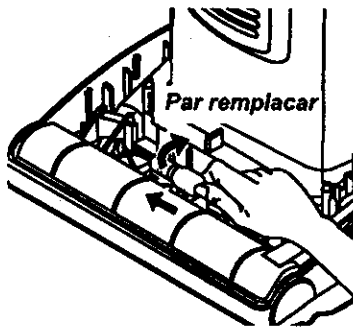
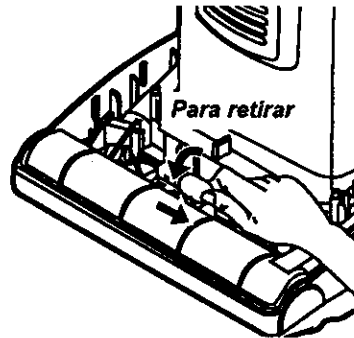
Desconecte la aspiradora. Mueva el selector de pisos con alfombra y sin alfombra a la posición con alfombra y baje la manija para que la aspiradora descansa plana.



CUIDADO

No use una bombilla de más de 15 vatios (130 volts). Cuando se use la aspiradora por un largo periodo de tiempo, el calor de la bombilla puede calentar las partes de plástico cerca.

Remueva la bombilla empujandola y valla dandola vuelta para la izquierda para sacarla de la abertura. Después saque la bombilla para afuera.



Par remplacar la bombilla, cuidadosamente inserte y de vuelta hacia la derecha hasta asegurarla en la abertura.

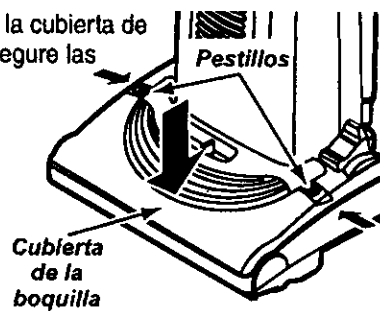
Nota: Mire PIEZAS Y CARACTERISTICAS para el numero de la bombilla.



CUIDADO

No conecte o encende la aspiradora antes de armarla completamente.

Reemplazca la cubierta de boquilla y asegure las pestillos.



CUIDADO DEL AGITADOR

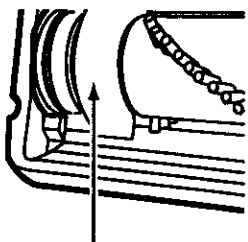


ADVERTENCIA

Peligro de choque eléctrico o lesión corporal

Desconecte la unidad antes de limpiarla o darle servicio. De lo contrario podría producirse un choque eléctrico o causar lesión corporal si la aspiradora arranca de manera imprevista.

PARA EXAMINAR EL AGITADOR



Protector de la correa de la placa de la base

Coloque la aspiradora con la base hacia arriba para revisar si los cepillos están en malas condiciones. Cuando los cepillos estén gastados al nivel del protector de la placa de base, reemplazca el agitador.

PARA QUITAR EL AGITADOR

Quite la cubierta de la boquilla, la cubierta del agitador y el agitador. Véase CAMBIO DE LA CORREA Y LIMPIEZA DEL AGITADOR.

Reemplazca el agitador con un nuevo.

Reemplazca las cubiertas de los cojinetes y las tapas del extremo.

Rearme la correa, el agitador, la cubierta del agitador y la cubierta de la boquilla. Véase CAMBIO DE LA CORREA Y LIMPIEZA DEL CEPILLO.

ESPAÑOL

RECONOCIMIENTO DE PROBLEMAS

Consulte este cuadro para encontrar soluciones que usted mismo puede realizar cuando tenga problemas menores de rendimiento. Cualquier servicio que necesite aparte de otros descritos en este manual tienen que ser hechos por un representante de servicio autorizado Sears.



ADVERTENCIA Peligro de choque eléctrico

Desconecte la aspiradora antes de darle servicio o limpiarla. De lo contrario podría producirse un choque eléctrico o causar lesión corporal.

PROBLEMA	CAUSA POSIBLE	SOLUCIÓN POSIBLE
La aspiradora no funciona.	<ol style="list-style-type: none"> 1. Está desconectada. 2. Cortacircuitos botado o fusible quemado en el tablero de servicio de la residencia. 3. Interruptor de encendido/apagado no está en la posición ON. 4. Protector termal activado. 	<ol style="list-style-type: none"> 1. Conecte bien, oprima selector de encendido/apagado a la posición ON. 2. Restablezca el cortacircuitos o cambie el fusible. 3. Coloque el interruptor de encendido/apagado en la posición ON. 4. Reajuste el protector termal.
No aspira satisfactoriamente.	<ol style="list-style-type: none"> 1. Cubo de la basura lleno o atascado. 2. Ajuste incorrecto de nivel de pelode la alfombra. 3. Agitador desgastado. 4. Boquilla, o portillo de la cubo de la basura atascada. 5. Manguera atascado. 6. Manguera rota. 7. Correa rota. 8. La manguera no está bien insertada. 9. Activación del sistema de protección del motor. 10. Filtros de seguridad. 	<ol style="list-style-type: none"> 1. Cubo de la basura limpio. 2. Ajuste el nivel. 3. Cambie el agitador. 4. Revise COMÓ ELIMINAR LOS RESIDUOS DE BASURA EN LOS CONDUCTOS. 5. Limpiar tubo para el mugre. 6. Cambie la manguera. 7. Cambie la correa. 8. Inserte bien la manguera. 9. Determine si existen bloqueos. 10. Limpie/cambie el filtros.
La aspiradora levanta tapetes o es difícil empujar.	<ol style="list-style-type: none"> 1. Ajuste incorrecto de nivel de pelo de la alfombra. 	<ol style="list-style-type: none"> 1. Ajuste el nivel.
La luz no funciona.	<ol style="list-style-type: none"> 1. Bombilla fundida. 	<ol style="list-style-type: none"> 1. Cambie la bombilla.
El ensamble del agitador no gira.	<ol style="list-style-type: none"> 1. Correa rota. 2. Selector de piso con alfombra y piso sin alfombra en la selección de piso sin alfombra. 3. Correa instalada incorrectamente. 	<ol style="list-style-type: none"> 1. Cambie la correa. 2. Cambie el selector en la selección con alfombra. 3. Revise CAMBIO DE LA CORREA Y LIMPIEZA DEL CEPILLO.
Restricción del flujo de el uso de los accesorios. Cambio de sonido.	<ol style="list-style-type: none"> 1. El uso de los accesorios limita el flujo de aire. 2. La pelusa de una alfombra nueva obstruye el paso de aire. 	<ol style="list-style-type: none"> 1. Revise USO DE LOS ACCESORIOS, (página 8). 2. Revise CÓMO ELIMINAR LOS RESIDUOS DE BASURA EN LOS CONDUCTOS y limpie la manguera.
Ruido excesivo cuando se apaga la aspiradora.	<ol style="list-style-type: none"> 1. Selector de piso/alfombra no está empujando completamente al frente. 	<ol style="list-style-type: none"> 1. Oprime el boton completamente hasta el frente.

NOTAS

ESPAÑOL

Get it fixed, at your home or ours!

Your Home

For repair - **in your home** - of all major brand appliances, lawn and garden equipment, or heating and cooling systems, **no matter who made it, no matter who sold it!**

For the replacement parts, accessories and owner's manuals that you need to do-it-yourself.

For Sears professional installation of home appliances and items like garage door openers and water heaters.

1-800-4-MY-HOME[®] Anytime, day or night
(1-800-469-4663) (U.S.A. and Canada)

www.sears.com

www.sears.ca

Our Home

For repair of carry-in products like vacuums, lawn equipment, and electronics, call or go on-line for the nearest **Sears Parts and Repair Center.**

1-800-488-1222 Anytime, day or night (U.S.A. only)

www.sears.com

To purchase a protection agreement (U.S.A.) or maintenance agreement (Canada) on a product serviced by Sears:

1-800-827-6655 (U.S.A.)

1-800-361-6665 (Canada)

Para pedir servicio de reparación a domicilio, y para ordenar piezas:

1-888-SU-HOGARSM
(1-888-784-6427)

Au Canada pour service en français:

1-800-LE-FOYER^{MC}
(1-800-533-6937)

www.sears.ca

SEARS

© Sears, Roebuck and Co.

® Registered Trademark / TM Trademark / SM Service Mark of Sears, Roebuck and Co.

® Marca Registrada / TM Marca de Fábrica / SM Marca de Servicio de Sears, Roebuck and Co.

^{MC} Marque de commerce / ^{MD} Marque déposée de Sears, Roebuck and Co.