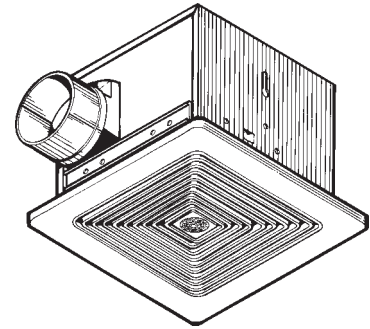


# MODEL MS90 & MS130 SENSAIRE® MOTION SENSING BATH FANS



**A modern-styled, high performance bath fan that turns itself ON and OFF using built-in motion sensing circuitry.**

**FEATURES**

**GRILLE:**

- Conceals interior
- Low profile styling blends well with any decor
- Non-yellowing matte white polymeric
- Torsion spring mounting - no tools required

**BLOWER:**

- Plug-in, permanently lubricated
- Dynamically balanced centrifugal blower wheel for quiet, efficient performance
- Low RPM ultra-quiet operation
- Quick one-screw installation/removal
- Resilient anti-vibration motor mounts

**HOUSING:**

- Rugged 24 gage steel construction finished with black, electrically-bonded epoxy paint
- Tapered, 4" round polymeric connector-no metallic clatter
- 7-5/8" height allows for 2" x 8" (nominal) joist installations
- Mounts between joists or directly to joist
- Adjustable mounting brackets span up to 24"

**MOTION SENSOR:**

- Turns fan ON when motion is detected
- Remains ON for an adjustable 5 to 60 minutes after motion is no longer detected
- Fan may be controlled automatically (using sensor) or manually with accessory controls
- Prolongs fan life since fan runs only when necessary
- Saves energy because unit runs for the time required. A unit controlled with a wall timer may keep fan ON longer than required or turn it OFF before room is sufficiently ventilated

**CONTROLS:** Designed by Broan for use with this product (purchase separately)

- Model 68V, P68V(Ivory)/68W, P68W(White), 2-Function Wall Control

U.L. listed for use over tub/shower enclosure when connected to GFCI branch wiring.

**TYPICAL SPECIFICATION**

Ventilator shall be Broan Model MS90 (MS130). The units will have a motion sensor that will turn fan "ON" automatically when motion is detected. It shall be user-adjustable to turn "OFF" 5-60 minutes after motion is no longer detected.

Ventilator shall have steel housing finished with black electrically-bonded epoxy paint. Mounting brackets to be adjustable. It shall be ducted to a roof or wall cap using 4" round ductwork. Automatic backdraft damper shall be located within duct connector.

Blower assembly shall be removable, have a centrifugal-type blower wheel and a permanently lubricated motor, mounted with resilient anti-vibration mounts.

Air delivery shall be no less and sound levels no greater than listed for each model. All air and sound ratings shall be certified by AMCA and/or HVI. Units shall be U.L. listed. For use over tub/shower enclosure when connected to GFCI branch wiring.



Broan-NuTone LLC certifies that the models shown herein are licensed to bear the AMCA Seal. The ratings shown are based on tests and procedures performed in accordance with AMCA Publication 211 and AMCA Publication 311 and comply with the requirements of the AMCA Certified Ratings Program.



**Broan-NuTone LLC, 926 West State Street, Hartford, WI 53027 (1-800-637-1453)**

REFERENCE	QTY.	REMARKS	Project
			Location
			Architect
			Engineer
			Contractor
			Submitted by <span style="float: right;">Date</span>

# PERFORMANCE RATINGS - MODELS MS90 & MS130

## AMCA LICENSED PERFORMANCE

Model No.	Sones @ 0.0" S.P.	CFM @ Static Pressure (Ps - Inches of H <sub>2</sub> O)					Volts	Total Watts	RPM	Duct Size
		0.0	0.1	.125	.250	.375				
MS90	3.0	98	94	93	84	52	120	50	1050	4" Dia.
MS130	5.6	145	134	130	109	89	120	90	1350	4" Dia.

The performances shown are with inlet grille, backdraft damper and outlet duct. RPM shown is nominal and the performance is based on actual speed of test. The sound ratings shown are loudness values in fan sones at 5' (1.5m) in a hemispherical free field calculated per AMCA Std. 301. Values shown are for installation Type B: free inlet fan sone levels.

## SONES

Model Number	HVI Sones @ 0.1" S.P.**	AMCA Sones @ 0.0" S.P.**
MS90	2.5	3.0
MS130	3.5	5.6

\*There is a difference between sone values certified by HVI for residential use and by AMCA for commercial/industrial use. Exact comparison of these values is not possible. This difference is mainly due to the procedures used to convert measured sound to perceived sound. ANSI S3.4, used by both HVI and AMCA, specifies a procedure for calculating loudness as perceived by a typical listener under specific conditions. HVI establishes values at a distance of 5 feet from the fan in a "spherical free field"; AMCA establishes values at a distance of 5 feet in a "hemispherical free field". HVI and AMCA have different rules for rounding sone values.

## AMPS

MODEL NUMBER	AMPS*
MS90	.70
MS130	.90

\*Total Connected Load



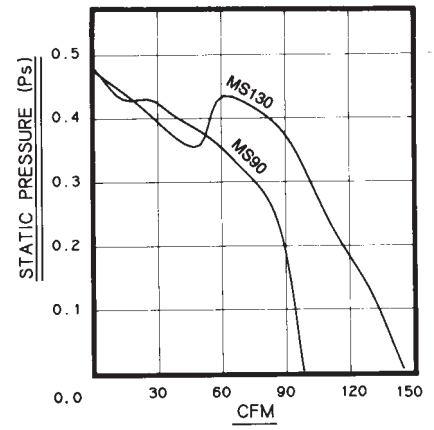
"Broan-NuTone LLC certifies that the models shown herein are licensed to bear the AMCA Seal. The ratings shown are based on tests and procedures performed in accordance with AMCA Publication 211 (and AMCA Publication 311 if sound is also certified) and comply with the requirements of the AMCA Certified Ratings Program."

## HVI PERFORMANCE

MODEL NUMBER	SONES	CFM @ 0.1" Ps
MS90	2.5	90
MS130	3.5	130



HVI-2100 CERTIFIED RATINGS comply with new testing technologies and procedures prescribed by the Home Ventilating Institute, for off-the-shelf products, as they are available to consumers. Product performance is rated at 0.1 in. static pressure, based on tests conducted in AMCA's state-of-the-art test laboratory. Sones are a measure of humanly-perceived loudness, based on laboratory measurements.



## WEIGHT

MODEL NUMBER	SHIPPING WT.
MS90	10.5 LBS.
MS130	10.5 LBS.

