

This Owner's Manual is provided and hosted by [Appliance Factory Parts](#).



SUNBEAM NBMGLG1900 Owner's Manual

[Shop genuine replacement parts for SUNBEAM
NBMGLG1900](#)



[Find Your SUNBEAM Grill Parts - Select From 2588 Models](#)

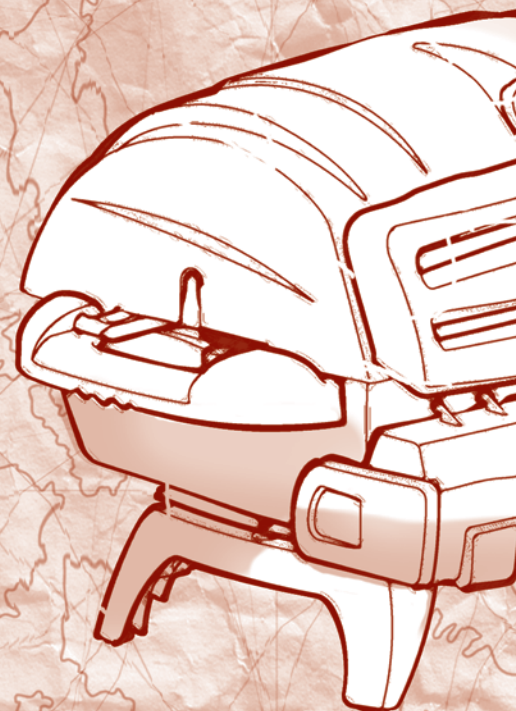
----- Manual continues below -----



TAILGATING TABLETOP GRILL

*The Best Cheeseburgers In Paradise
Come From Margaritaville®*

Model NBMGLG1000 & NBMGLG1900
User Manual



WELCOME TO MARGARITAVILLE



*Margaritaville® isn't a place, it's a state of mind ...
it is an escape from the everyday! The Margaritaville® Tailgating Tabletop Grill
makes it a short trip from here to there, where you can put on your no-work attitude and enjoy perfectly grilled food on the go.*

The Tailgating Tabletop Grill instruction manual was developed to help quickly familiarize you with your grill. You're just a few short steps away from Margaritaville®, enjoying perfectly grilled food. To learn more or to purchase other Margaritaville® products, please visit us at

www.margaritavillecargo.com



ANSI Z21.89a-2008/
CSA 1.18a-2008
Outdoor Cooking Specialty
Gas Appliances

CONSUMER/USER: This instruction manual contains important information needed for proper assembly and safe use of the appliance. Read and follow all warnings and instructions when assembling and using the appliance. Follow all warnings and instructions when using the appliance. Keep this manual for future reference. Failure to follow these warnings and instructions could result in death, personal injury, or property damage.

If you have questions or need advice regarding your grill or its safe operation, please visit www.margaritavillecargo.com or call 1-877-689-2737.

Technical Characteristics

Input: 20,000 BTU/H

Category: Pressure regulated propane

Fuel: 16.4 oz. disposable propane cylinders




Regulator: RJ-B

FOR OUTDOOR USE ONLY

Contents

General Safety Information.....	1-3
Portable L.P. (Propane) Gas Barbecue Cylinders	3
Assembly	4
Cooking	4
Operating Instructions.....	4
Grill Performance.....	4
Attaching The Propane Cylinder.....	4-5
Lighting	5
Removing The Propane Cylinder	6
Cleaning.....	6
Annual Maintenance	6
General Maintenance.....	7
Storage, Transport And/Or Non-Use.....	7
Replacement Parts List.....	8
Accessories.....	8
Troubleshooting	9
Warranty	9

General Safety Information

This manual contains important information about the assembly, operation and maintenance of this product and system. General safety information is presented in these first few pages and is also located throughout the manual. Particular attention should be paid to information accompanied by the safety alert symbols: “ **DANGER**”, “ **WARNING**”, “ **CAUTION**”.

Keep this manual for future reference and to educate new users of this product. This manual should be read in conjunction with the labeling on the product.

Safety precautions are essential when any mechanical or propane fueled equipment is involved. These precautions are necessary when using, storing, transporting, and servicing. Using this equipment with the respect and caution demanded will reduce the possibilities of death, personal injury or property damage.

The following symbols shown next are used extensively throughout this manual. Always heed these precautions, as they are essential when using any mechanical or fueled equipment.



DAN

DANGER indicates an imminent hazard that, if not avoided, will result in death or serious injury.



WAR

WARNING indicates a potentially hazardous situation that, if not avoided, could result in death or serious injury.



CAU

CAUTION indicates a potentially hazardous situation that, if not avoided, may result in minor or moderate injury, or property damage.



DAN

If you smell gas:

- 1. Shut off gas to the appliance.**
- 2. Extinguish any open flames.**
- 3. Open lid.**
- 4. If odor continues, keep area clear and immediately call your local fire department.**

Failure to follow these instructions may result in fire or explosion which could cause property damage, personal injury or death.

 **DANGER**

- 1. Never operate this appliance unattended. Keep children and pets away from the appliance at all times.**
- 2. Never operate this appliance within 10 feet (3.05 m) of any other gas cylinder.**
- 3. Never operate this appliance within 25 feet (7.5 m) of any flammable liquid.**
- 4. Heated liquids remain at scalding temperatures long after the cooking process. Never touch cooking appliance until liquids have cooled to 115°F (45°C) or less.**
- 5. If a fire should occur, keep away from the appliance and immediately call your fire department. Do not attempt to extinguish an oil or grease fire with water.**

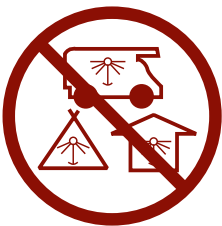
Failure to follow these instructions could result in fire, explosion or burn hazard, which could cause property damage, personal injury or death.

Only persons who can understand and follow the instructions should use or service this outdoor grill.

If you need assistance or outdoor grill information such as an instruction manual or labels, visit www.margaritavillecargoc.com.

 **DANGER**

CARBON MONOXIDE HAZARD



- **This appliance can produce carbon monoxide which has no odor.**
- **Using it in an enclosed space can kill you.**
- **Never use this appliance in an enclosed space such as a camper, tent, car or home.**
- **For outdoor use only.**

 **CAUTION**

- The use of alcohol, prescription or non-prescription drugs may impair your ability to properly assemble or safely operate the grill.
- When cooking with oil or grease, always have a fire extinguisher readily available. In the event of a fire, do not attempt to extinguish with water. Immediately call your local fire department. A Type BC or ABC fire extinguisher may be used on grease fires.
- When cooking, the appliance must be kept clear of combustible material. An asphalt surface is not acceptable for this purpose.
- Do not leave the appliance unattended. Keep children and pets away from the appliance at all times.
- Do not move the appliance when in use.
- This appliance is not intended for and should not be used for anything other than the intended purpose.



 **DANGER**
EXPLOSION -

- Never store propane near high heat, open flames, other ignition sources or where temperatures are above 120°F (50°C).
- Propane gas is heavier than air and leaks will collect in low level possible. It can ignite by ignition sources such as sparks or open flames of any kind many times over its weight. If you smell gas, leave the area immediately and call your local gas company.
- Never install or remove propane tank without proper instructions. Flame, pilot lights, other ignition sources should be checked before touch.
- During operation, this product can be a source of heat. Do not place grill in or near areas that contain or may contain flammable combustibles, or products such as gasoline, oil, paint, or other particles or unknown chemicals. Minimum clearance from unit to walls or railings is 12 inches (30.5 cm) for unprotected combustible construction.
- Provide adequate clearances around air intake and burner chamber.
- DO NOT use gas grill indoors or in garage, enclosed areas or a covered porch or patio.
- Do not obstruct the flow of combustion air.
- DO NOT put grill in storage or travel mode until grill has cooled to touch before moving or storing. Failure to do so may result in property damage, personal injury or death.

WARNING

We cannot foresee every use which may be made of our products. **Check with your local fire safety authority if you have questions about use.**

Other standards govern the use of fuel gases and heat producing products for specific uses. Your local authorities can advise you about these.

- Never refill disposable cylinders.
- Use the preset regulator that came with the grill. Do not attempt to adjust.
- The installation and use must conform with local codes or, in absence of local codes, with the *National Fuel Gas Code, ANSI Z223.1/NFPA 54, Storage and Handling of Liquefied Petroleum Gases, ANSI/NFPA 58 or CSA B149.1, Natural Gas and Propane Installation Code.*
- This appliance is not intended to be installed in or on boats.
- This appliance is not intended for commercial use.
- DO NOT use this appliance under extended awnings. Failure to comply could result in a fire or personal injury.



DANGER **CARBON MONOXIDE HAZARD**

- **For outdoor use only.**
- **Never use inside house, camper, tent, vehicle or other unventilated or enclosed areas. This grill consumes air (oxygen) and produces carbon monoxide. Do not use in unventilated or enclosed areas to avoid endangering your life.**
- This grill is a combustion appliance. All combustion appliances produce carbon monoxide (CO) during the combustion process. Do not block air flow into or out of the grill.
- Carbon Monoxide (CO) poisoning produces flu-like symptoms, watery eyes, headaches, dizziness, fatigue and possibly death. You can't see it and you can't smell it. It's an invisible killer. If these symptoms are present during operation of this product **get fresh air immediately!**

WARNING

- This product is fueled by propane gas. Propane gas is invisible, odorless, and flammable. An odorant is normally added to help detect leaks and can be described as a "rotten egg" smell. The odorant can fade over time so leaking gas is not always detectable by smell alone.
- Use only propane gas set up for vapor withdrawal.

- Propane gas should be stored or used in accordance with local codes or with ANSI/NFPA 58 and with the (ABYC) Standards A-1 (9), Marine Liquefied Petroleum Gas.
- Turn off propane and disconnect cylinder when not in use.
- Cylinders must be stored out of reach of children.

CALIFORNIA PROPOSITION 65:

WARNING: This fuel, and byproducts of combustion, contain chemicals known to the state of California to cause cancer and other reproductive harm.

WARNING **BURN HAZARD**

- Never leave grill unattended when hot or in use.
- Keep out of reach of children.

CAUTION **SERVICE SERVICE**

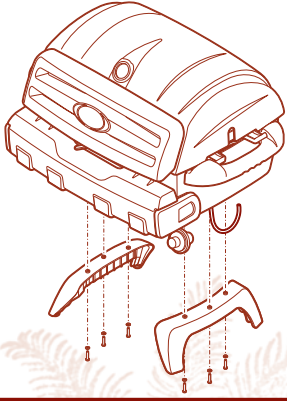
- Keep all connections and fittings clean. Inspect propane connections for damage before use.
- During set up, check all connections and fittings. Never use a flame. Bubbles indicate a leak. If you still a leak, remove the cylinder and contact your retailer for service or repairs.
- Use as a cooking appliance only. Never use as a space heater or device or part not expressly approved by the manufacturer.
- Clean grill frequently to avoid grease accumulation.
- Only use the pressure regulator and hose specified by Jarden Consumer Solutions (replacement pressure regulators and hoses are available as accessories)

Portable L.P. (Propane) Gas

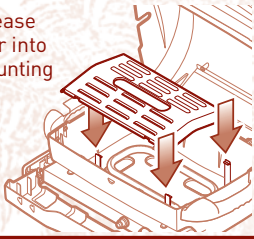
Liquefied Petroleum Gas (abbreviated L.P. Gas). It becomes liquid when stored under high pressure and vaporizes when released. L.P. gas is heavier than air and collects in low areas. It is important that there are no leaks that could cause a fire or explosion (see the

ASSEMBLY

- 1** Install legs using the 6 provided screws and a Phillips Head Screwdriver.



- 2** Snap Grease Vaporizer into the 4 mounting clips.

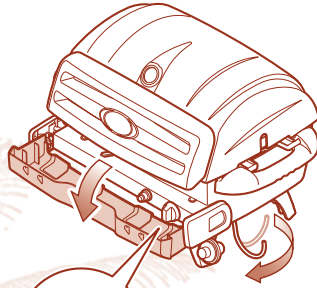


- 3** Battery Installation: Remove battery (AAA) from shipping packet and install in battery compartment. The battery compartment is located behind the electronic igniter push button on the control panel. Rotate the push button counter-clockwise to expose the battery compartment. When replacing the battery be sure to attach positive and negative ends correctly. Check the igniter by pressing the button. You should hear a "clicking spark" sound.



COOKING - TABLETOP

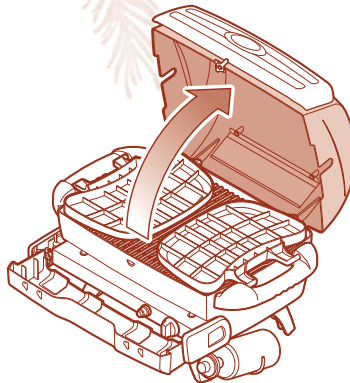
- 1** Fold down the condiment holder to expose the electronic igniter and burner control knob. Make sure that the burner control knob is in the OFF position.



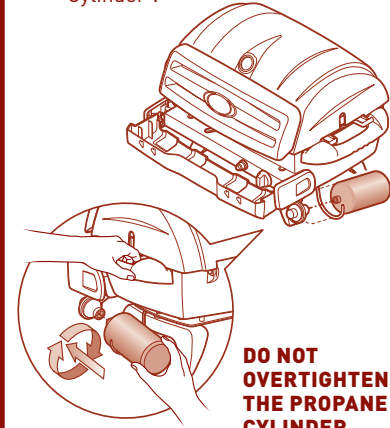
Fold out the propane cylinder hook on the right side of the grill.



- 3** Unlatch the hood latch and open the grill hood.



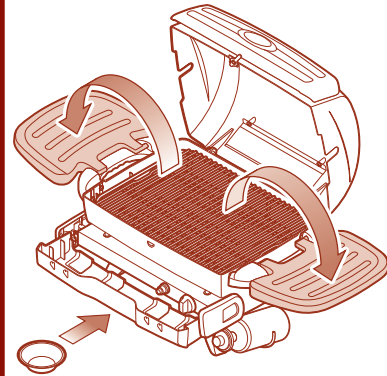
- 2** Attach a 1 lb. propane cylinder. See the instructions listed in this manual under "Attaching the Propane Cylinder".



DO NOT OVERTIGHTEN THE PROPANE CYLINDER. MAKE SURE THAT YOU DO NOT CROSS THREAD THE CONNECTION.



- 4** Fold out both side tables, slide drip pan into holder on the underside of the grill.



OPERATION

To light the grill

Refer to the Lighting Instructions and printed on the inside of the grill without fire.

To preheat the grill

Light the grill according to the owner's manual. Turn the burner control knob to Start/Hi. (depending on control knob setting) (depending on control knob to the setting).

Note: Wind and weather can affect the burner control temperature. If the temperature is low, turn off the lid, turn off the burner, and relighting.

Drippings and grease

will collect in the drip pan on the underside of the grill. Empty and dispose of used grease.

WARNINGS

Check the drip pan for grease buildup.

Do not move the grill if it is hot.

Wait for the grill to cool before folding out the side tables.

Wait for the grill to cool before attaching the propane cylinder.

Grill Performance

The burners are located on the underside of the grill. Use indirect heat to keep food toward the front of the grill.

ATTACHING THE PROPANE CYLINDER

Use 1 lb. propane cylinder. The propane cylinder are approximately 10 inches in length. The propane cylinder hook.

Note: Your new grill is designed to use a 1 lb. propane cylinder to be used in accordance with the U.S. Department of Energy Standard of Canada and U.S. Department of Energy and Tubes for the

CAUTION: Use cylinders that are marked "Propane Fuel" only. Prior to installing the cylinder, check to make sure its fitting is not damaged or bent. If the propane cylinder is damaged, DO NOT install it on your grill.

When installing the cylinder, be sure that it screws in securely in a smooth and straight manner.

DO NOT CROSS THREAD.

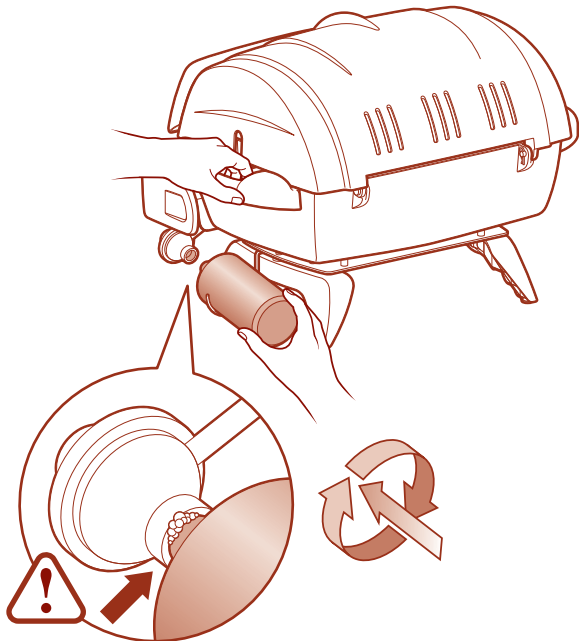
Slide propane cylinder through cylinder hook, (Figure below). While holding carrying handle closest to propane cylinder with one hand, push propane cylinder into regulator and turn clockwise until tight.

The propane cylinder must be removed prior to storing or transporting your grill. **Do not carry or drive with the cylinder attached.**

WARNING: Do not use a wrench to tighten the connection. Using a wrench could damage the regulator coupling and could cause a leak.

WARNING: CHECK FOR GAS LEAKS BY WETTING THE CONNECTIONS WITH A SOAP AND WATER SOLUTION AND WATCHING FOR BUBBLES. IF BUBBLES FORM OR IF A BUBBLE GROWS, THERE IS A LEAK.

NOTE: ALL CONNECTIONS SHOULD BE RINSED WITH CLEAN WATER AFTER CHECKING FOR LEAKS.



Check for gas leaks:

WARNINGS
You should check for gas leaks every time you disconnect and reconnect a gas fitting.

Note: All factory-made connections have been thoroughly checked for gas leaks. The burners have been flame tested.

As a safety precaution check all fittings for leaks before using your Grill. Shipping and handling may have loosened or damaged a gas fitting.

Perform these leak checks even though your grill has been pre-assembled.

Do not ignite burner while checking for leaks.

Check connections:

1) Regulator to propane cylinder connection.

WARNING: If there is a leak at connection, remove propane cylinder. Do not operate grill. Use a different propane cylinder and recheck for leaks with soap and water solution. If a leak persists after retightening the propane cylinder, turn OFF the gas. DO NOT OPERATE THE GRILL.

2) Valve-to-regulator connections.

WARNINGS

If there is a leak at the valve-to-regulator connection turn OFF the gas. DO NOT OPERATE THE GRILL.

When leak checks are complete, turn gas supply OFF at the source and rinse connections with water.

DANGER Do not use an open flame to check for gas leaks.

DANGER Be sure there are no sparks or open flames in the area while you check for leaks. Sparks or flames may result in a fire or explosion, which can cause serious bodily injury or death, and damage to property.

DANGER Do not store a spare L.P. gas cylinder under or near this appliance. 1 lb. cylinders are not refillable. If the instructions are not followed exactly, a fire causing death or serious injury may occur.

LIGHTING

A summary of the lighting instructions is printed on the control panel.

- 1) Fold down the condiment holder to expose the burner control knob and electronic igniter button.
- 2) Make sure the burner control knob is turned OFF. (Push control knob in and turn clockwise to ensure that it is in the OFF position.)
- 3) Open the lid.
- 4) Unfold the side tables.

WARNING: face and body when lighting

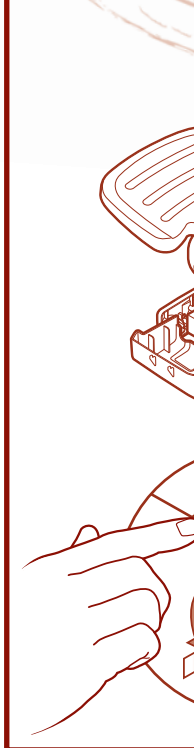
5) Push control knob in and turn clockwise to ensure that it is in the OFF position.

6) Push the electronic igniter button. You should hear a clicking sound.

7) Check that the flame is lit through the burner holes.

WARNING: control knob. Clear before lighting.

WARNING: GRILL. KEEP GRILL LID CLOSED AT LEAST ONE MINUTE WHEN LIGHTING.



To Extinguish

Push in and turn the burner control knob to the OFF position.

CAUTION: Do not touch the burner control knob.

Remove propane cylinder before transporting.

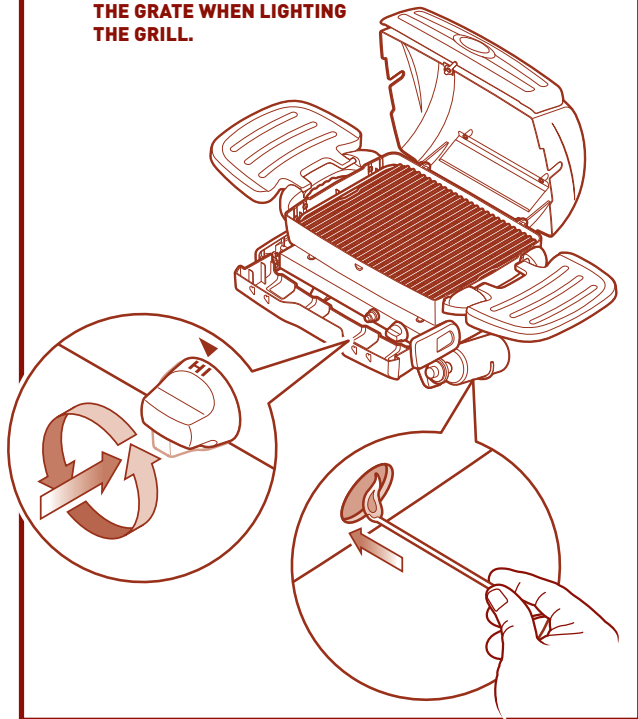
Manual Lighting:

! **DANGER** Failure to open the lid while igniting the grill's burner, or not waiting 5 minutes to allow the gas to clear if the grill does not light, may result in an explosive flame-up, which can cause serious bodily injury or death.

- 1) Fold down condiment holder to expose burner control knob.
- 2) Open the lid.
- 3) Unfold the side tables.
- 4) Make sure the burner control knob is turned OFF.
- 5) Strike a match and put the flame into the matchlight hole on the right side of the lower grill basin.
- 6) Push burner control knob in and turn to START/HI.
- 7) Check that the burner is lit by looking down through the cooking grate. You should see a flame.

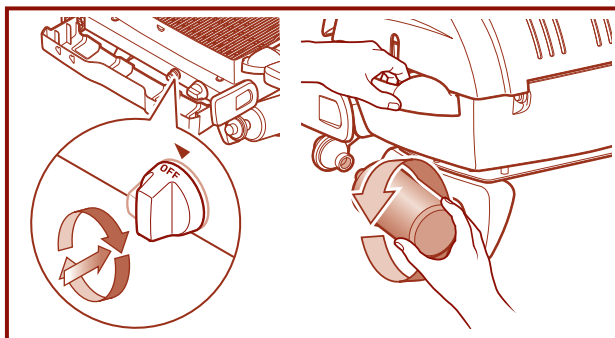
! **WARNING:** If the burner does not light, turn the burner control knob to OFF and wait 5 minutes to let the gas clear before you try attempting to re-light.

! **WARNING: DO NOT LEAN OVER THE OPEN GRILL. KEEP YOUR FACE AND BODY AT LEAST ONE FOOT AWAY FROM THE GRATE WHEN LIGHTING THE GRILL.**



To Properly Remove the Gas Cylinder for Cleaning, Transport, or Storage:

- 1) Make sure the burner knob is turned OFF. Push control knob in and turn clockwise to ensure that it is in the OFF position.
- 2) While holding the handle closest to the propane cylinder with one hand, turn cylinder counter-clockwise until removed.



CLEANING

! **WARNING:** Turn your grill OFF and wait for it to cool before cleaning.

For availability of replacement cooking grate go to margaritavillecargo.com or call Margaritaville® Cargo directly at 1-877-689-2737.

Outside surfaces: Use a warm soapy water solution to clean, then rinse with water.

Cooking grate: Clean with a soft brass bristle brush. As needed, remove from grill and wash with warm soapy water then rinse with water.

Drip pan: A disposable drip pan is included with the grill. Foil pot pie pans (4 3/8") are available at most grocery stores or replacements can be ordered at margaritavillecargo.com or call 1-877-689-2737. To clean the tray, wash with warm soapy water, then rinse.

Inside grill basin: Wash inside of grill basin with warm soapy water and a water rinse.

Inside Lid: While lid is warm, wipe inside with paper towel to prevent grease build-up.

Fold out side tables: Wash with a soft cloth and a soap and water solution. Do not use cleaners that contain acid or mineral spirits. Rinse well after cleaning.

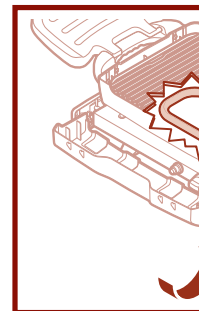
Fold out side tables are not to be used as cutting boards.

ANNUAL

After a period of regular use, you should perform the following maintenance for safety. Inspect and clean the burner for correct operation. See the "Maintenance" section of the manual for instructions on how to check for leaks and tighten fittings for leaks for more information. See the manual under "Cleaning and Maintenance".

Inspection and Cleaning of Burner Tubes

Your grill, as well as the burner tubes, are made of stainless steel for spiders and other insects. These insects can get into the section of the burner tube that is not covered by the grill. This could result in a fire or explosion, causing serious damage to your grill.



To inspect the burner tubes, remove the burner tubes below the burner control knob. To clean the burner tubes, remove the burner tubes from the grill.

! **CAUTION: Do not touch the burner tubes with hard or sharp objects.**

Lightly tap the burner tubes to remove any debris. Once burner tubes are cleaned, reinsert the burner tubes into the burner tube holder. For more information, visit www.margaritavillecargo.com or call 1-877-689-2737 for more information.

- 1) The smell of gas or flames appears.
- 2) Grill does not heat properly.
- 3) Grill heats unevenly.
- 4) Burner does not light.

! **DANGER:** Failure to inspect and clean the burner tubes can result in serious bodily injury or property damage.

Main Burner Flame Pattern:

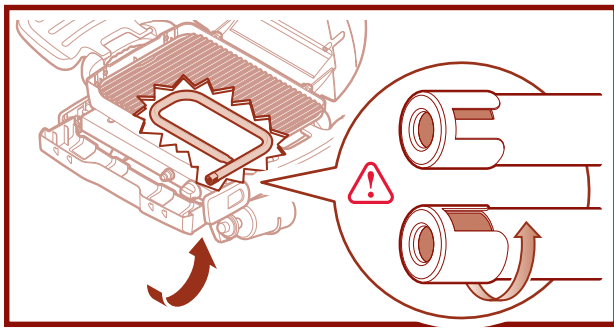
The grill's burner has been factory set for the correct air and gas mixture. The correct flame pattern is shown:



If the flames do not appear to be uniform throughout the burner tube, follow the instructions listed in this manual under "Main Burner Cleaning Procedure".

Air Mixture Adjustment:

The air mixer sleeve for the burner has been pre-set at the factory for gas conditions at sea level. However, if the burner flame is too yellow (this may occur at higher altitudes) open the air mix sleeve slightly until the flame turns blue.



GENERAL MAINTENANCE

Main Burner Cleaning Procedure:

Turn off the gas supply. Remove the burner. (See below) Look inside the burner with a flashlight. Clean the inside of the burner with a wire. (A straightened-out coat hanger will work)

Check and clean the opening at the end of the burner. Check and clean the valve orifice at the base of the valve. Use a Steel bristle brush to clean outside of burner. This is to make sure all the burner ports are fully open.

 **CAUTION: Do not enlarge the burner ports when cleaning.**

Removing Burner Tube:

- 1) Your grill must be OFF and cool.
- 2) Unscrew and remove propane cylinder from the valve/regulator assembly.
- 3) Open the lid.
- 4) Remove cooking grate.
- 5) Remove the drip vaporizer.
- 6) Unscrew and remove the (3) 1/4" screws that hold the burner tube inside grill basin.
- 7) Carefully slide the burner tube out from the grill basin.
- 8) To reinstall the burner, reverse the above steps. Check proper assembly before fastening burner tube in place.

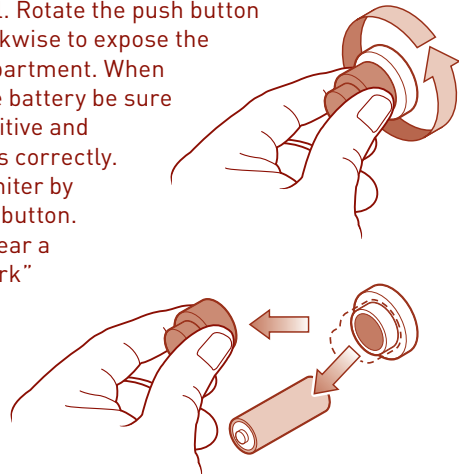
 **CAUTION: The burner opening must be positioned properly over the valve orifice.**

Ignition System Operations:

This appliance has an electronic igniter that uses a triple A battery (AAA - V.), (battery should be checked periodically). The grill can also be lit using a match, via the flame view window. Follow the lighting instructions exactly when lighting the grill.

Battery Check:

The battery compartment is located behind the electronic igniter push button on the control panel. Rotate the push button counter-clockwise to expose the battery compartment. When replacing the battery be sure to attach positive and negative ends correctly. Check the igniter by pressing the button. You should hear a "clicking spark" sound.



Storage or Non-

When the grill is not in use, remove the propane cylinder from the grill.

DO NOT DRIVE WITH

The grill should be stored in a well-ventilated area free of obstructions in the grill basin. (See Sections: "General Maintenance.") The grill should be checked for any obstructions. (See Sections: "General Maintenance.")

If the grill is to be stored for an extended period, disconnect the electronic igniter from the battery.

 **DANGER EX**

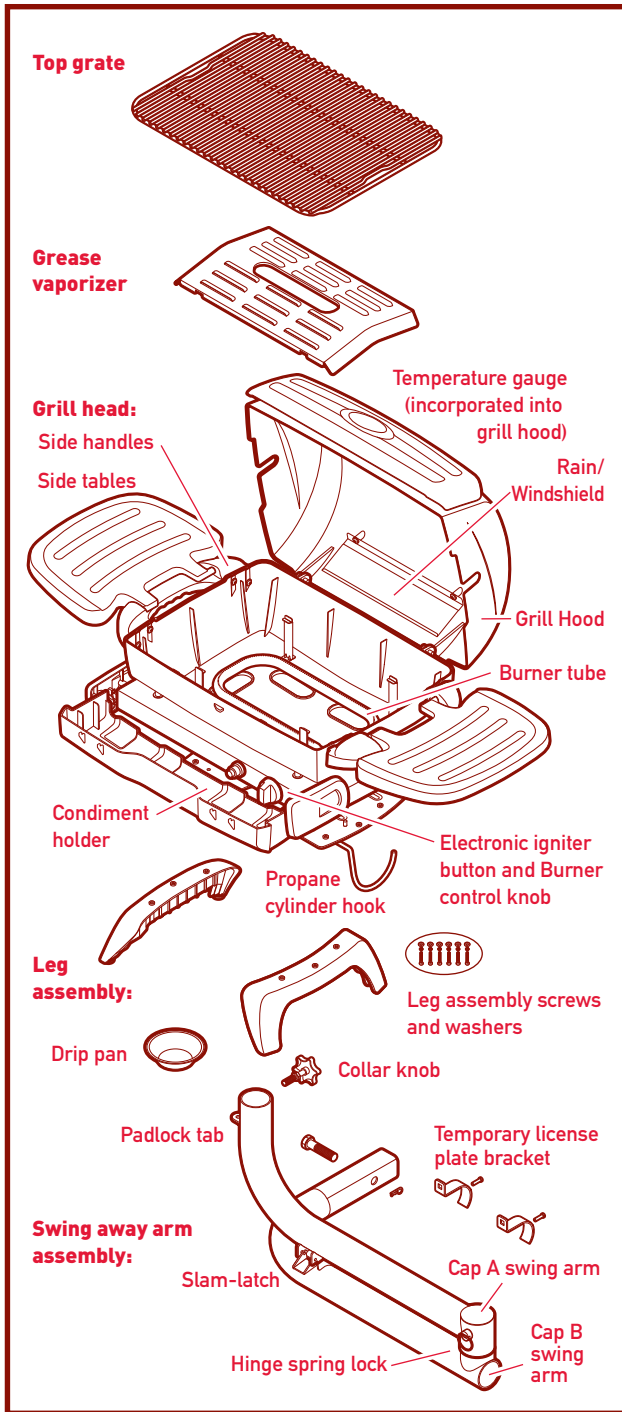
 **Never store the grill near lights, direct sunlight, or high temperatures.**

 **The cylinder should be stored upright.**

 **Do not store this appliance in a confined space. Do not store this appliance where it could cause injury.**

PARTS CALLOUT LIST - LG1000 & LG1900 Series

ACCESSORIES - LG1000



REPLACEMENT PARTS LIST

DESCRIPTION	PART #
Instruction Manual	134912
Top Cooking Grate	134891
Grease Vaporizer	134893
Grill Hood	134910
Temperature Gauge Set	134894
Rain/Wind Shield	134895
Side Shelf/Table (2)	134902
Side Handle Assembly (2)	134903
SS Burner Tube Assembly	134897
Condiment Holder	134904
Electronic Igniter Electrode Set	134892
Burner Control Knob	134898
Propane Cylinder Hook	134899
Grill Legs (2)	134906
Drip Pan	134896
Collar Knob	134900
Stabilizer Bolt and Cotter Pin	134907
License Plate Bracket Assembly	134901
Plastic End Cap - A Swing Arm	134908
Plastic End Cap - B Support Arm	134909
Swing Away Arm Assembly	136562

DESCRIPTION
Grill Cover
Hitch Pin Lock
20# Tank SS Braid

To order replacement parts or accessories visit www.margaritavillecargo.com

TROUBLESHOOTING

PROBLEM OBSERVED

- Gas odor during set up.
- Gas odor before first ignition.
- When ignition button is pressed, there is no spark at burner electrode.
- When igniter button is pressed, there is spark at the electrode, but no ignition.
- Delayed ignition.
- Burner lights but does not stay lit.
- Incorrect burner flame.
- Backfire of burner.

POSSIBLE CAUSE

- Gas leak.
- Gas leak.
- Battery dead or missing.
- Igniter electrode or switch wires not connected or damaged.
- Broken electrode or switch wires.
- Electrode positioned improperly.
- Faulty electronic igniter.
- Electronic ignition is wet.
- Gas supply not turned on.
- Burner control knob not in HIGH ON position.
- Air in gas lines not fully bled from system.
- Low gas pressure.
- Faulty Regulator.
- Electrode positioned improperly.
- Low gas pressure.
- Clogged or dirty burner ports.
- Blocked orifice.
- Faulty valve.
- Out of gas.
- Low gas pressure.
- Faulty valve.
- Clogged or dirty burner ports.
- Faulty regulator.
- Windy conditions.
- Out of gas.
- Incorrect gas supply or pressure.
- Incorrect primary air mix.
- Blocked orifice.
- Clogged or dirty burner ports.
- Faulty valve.
- Faulty regulator.
- High altitude.
- Blocked orifice.
- Clogged or dirty burner ports.
- Incorrect primary air mix.

CORRECTIVE MEASURE

- Refer back to Page 1 "DANGER If you smell gas". Check all gas connections.
- Refer back to Page 1 "DANGER If you smell gas". Check all gas connections.
- Replace battery.
- Reconnect or replace electrode wires.
- Replace broken electrode or wires.
- Reposition electrode - 3/16" clearance.
- Replace electronic igniter.
- Keep ignition system dry.
- Turn on gas supply.
- Follow Operational Instructions.
- Bleed air from system.
- Check gas supply pressure.
- Replace regulator.
- Reposition electrode - 3/16" clearance.
- Check gas supply pressure.
- Clean burner ports - see manual section.
- Check orifice opening.
- Replace valve.
- Replace propane cylinder.
- Check gas supply pressure.
- If using the hose adaptor, refer to lighting instructions enclosed with the hose adaptor.
- Replace valve.
- Clean burner ports - see manual section.
- Replace regulator.
- Shield from wind.
- Replace propane cylinder.
- Check gas supply pressure.
- Adjust air mixer - see manual section.
- Check orifice opening.
- Clean burner ports - see manual section.
- Replace valve.
- Replace regulator.
- Adjust orifice size for altitude.
- Check orifice opening.
- Clean burner ports - see manual section.
- Adjust air mixer - see manual section.

3 Year Limited Warra

Sunbeam Products, Inc. or its authorized agents, Sunbeam Solutions or if in Canada, Sunbeam Solutions or if in Canada, doing business as Jarden Consumer Solutions' from the date of purchase in material and workmanship, will repair or replace, at its option, any part of the product found to be defective. Replacement will be made with a similar component. If the product cannot be repaired or replaced, a refund will be made with a similar product. This warranty is valid only if the product is used in accordance with the instructions and is not damaged by misuse, abuse, neglect, or other causes. This warranty does not cover consequential damage or statutory warranty.

This warranty is valid only if the product is used in accordance with the instructions and is not damaged by misuse, abuse, neglect, or other causes. This warranty does not cover consequential damage or statutory warranty.

This warranty does not cover consequential damage or statutory warranty. This warranty is valid only if the product is used in accordance with the instructions and is not damaged by misuse, abuse, neglect, or other causes. This warranty does not cover consequential damage or statutory warranty.

What are the Limits of

Jarden Consumer Solutions' from the date of purchase in material and workmanship, will repair or replace, at its option, any part of the product found to be defective. Replacement will be made with a similar component. If the product cannot be repaired or replaced, a refund will be made with a similar product. This warranty is valid only if the product is used in accordance with the instructions and is not damaged by misuse, abuse, neglect, or other causes. This warranty does not cover consequential damage or statutory warranty.

Except to the extent prohibited by applicable law, the warranty or condition for any purpose is limited in scope. Jarden Consumer Solutions' from the date of purchase in material and workmanship, will repair or replace, at its option, any part of the product found to be defective. Replacement will be made with a similar component. If the product cannot be repaired or replaced, a refund will be made with a similar product. This warranty is valid only if the product is used in accordance with the instructions and is not damaged by misuse, abuse, neglect, or other causes. This warranty does not cover consequential damage or statutory warranty.

Jarden Consumer Solutions' from the date of purchase in material and workmanship, will repair or replace, at its option, any part of the product found to be defective. Replacement will be made with a similar component. If the product cannot be repaired or replaced, a refund will be made with a similar product. This warranty is valid only if the product is used in accordance with the instructions and is not damaged by misuse, abuse, neglect, or other causes. This warranty does not cover consequential damage or statutory warranty.

Jarden Consumer Solutions' from the date of purchase in material and workmanship, will repair or replace, at its option, any part of the product found to be defective. Replacement will be made with a similar component. If the product cannot be repaired or replaced, a refund will be made with a similar product. This warranty is valid only if the product is used in accordance with the instructions and is not damaged by misuse, abuse, neglect, or other causes. This warranty does not cover consequential damage or statutory warranty.

Some provinces, states, or territories may have laws that limit or prohibit certain exclusions or limitations of liability. This warranty gives you certain rights that vary by jurisdiction to jurisdiction. This warranty is valid only if the product is used in accordance with the instructions and is not damaged by misuse, abuse, neglect, or other causes. This warranty does not cover consequential damage or statutory warranty.

This warranty gives you certain rights that vary by jurisdiction to jurisdiction. This warranty is valid only if the product is used in accordance with the instructions and is not damaged by misuse, abuse, neglect, or other causes. This warranty does not cover consequential damage or statutory warranty.

How to Obtain Warra

If you have any questions, please contact your local retailer to obtain warranty service. For a convenient service center, please visit our website at www.sunbeam.com.

In the U.S.A., this warranty is valid only if the product is used in accordance with the instructions and is not damaged by misuse, abuse, neglect, or other causes. This warranty does not cover consequential damage or statutory warranty.

PLEASE DO NOT RETURN ADDRESSES OR TO THE

134912 Rev SUB



DO NOT RETURN THIS PRODUCT TO THE PLACE OF PURCHASE

For product questions:

Jarden Consumer Services U.S.A.

1-877-689-2737

www.margaritavillecargo.com

© 2009 Sunbeam Products, Inc. doing business as Jarden Consumer Solutions.
All rights reserved. Distributed by Sunbeam Products, Inc. doing business as
Jarden Consumer Solutions, Boca Raton, Florida 33431

Margaritaville® is a registered trademark of Margaritaville®.

Printed in China

134912 Rev SUB

CSDW 060509

