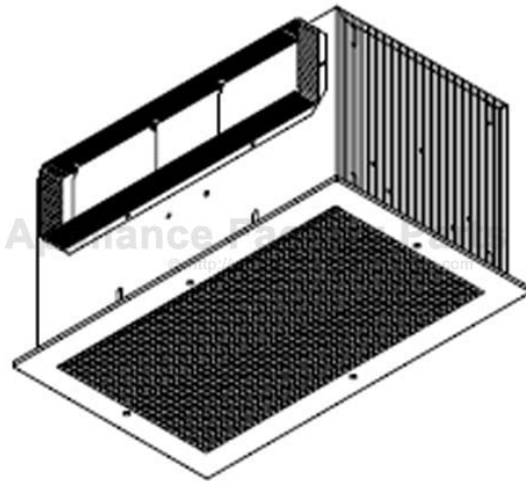


This Owner's Manual is provided and hosted by [Appliance Factory Parts](#).



BROAN L700EX Owner's Manual

[Shop genuine replacement parts for BROAN L700EX](#)



[Find Your BROAN HVAC Parts - Select From 1309 Models](#)

----- Manual continues below -----

BROAN[®]

LOSONE SELECT[®] VENTILATORS Ceiling/Wall Mount

READ AND SAVE THIS

WARNING



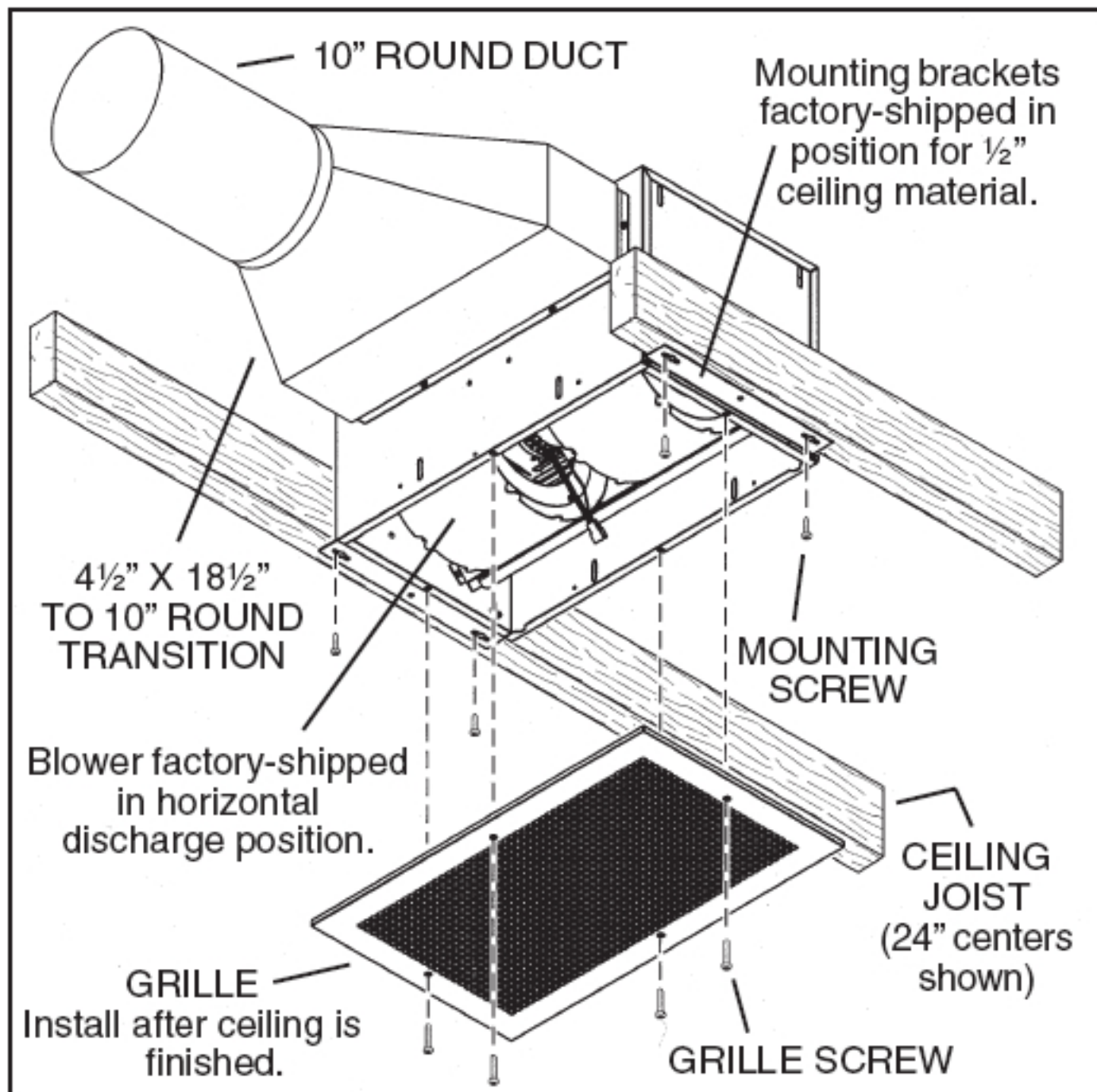
TO REDUCE THE RISK OF FIRE, ELECTRIC SHOCK, OR INJURY TO PERSONS, OBSERVE THE FOLLOWING:

1. Use this unit only in the manner intended by the manufacturer. If you have questions, contact the manufacturer at the address or telephone number listed in the warranty.
2. Before servicing or cleaning unit, switch power off at service panel and lock the service disconnecting means to prevent power from being switched on accidentally. When the service disconnecting means cannot be locked, securely fasten a prominent warning device, such as a tag, to the service panel.
3. Installation work and electrical wiring must be done by a qualified person(s) in accordance with all applicable codes and standards, including fire-rated construction codes and standards.
4. Sufficient air is needed for proper combustion and exhausting of gases through the flue (chimney) of fuel burning equipment to prevent backdrafting. Follow the heating equipment manufacturer's guideline and safety standards such as those published by the National Fire Protection Association (NFPA).

BROAN®

TYPICAL INSTALLATION

MOUNTING (*New Frame Construction*)

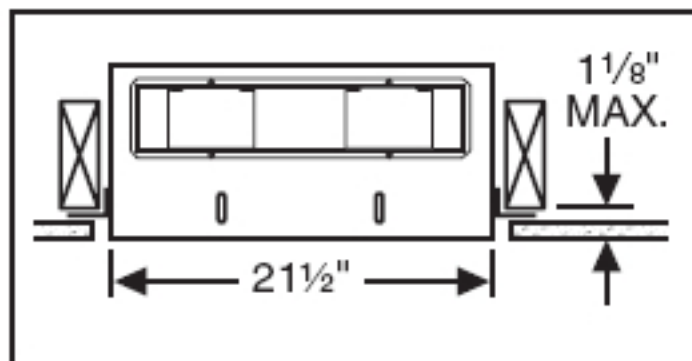


Factory-shipped unit installed in new construction.

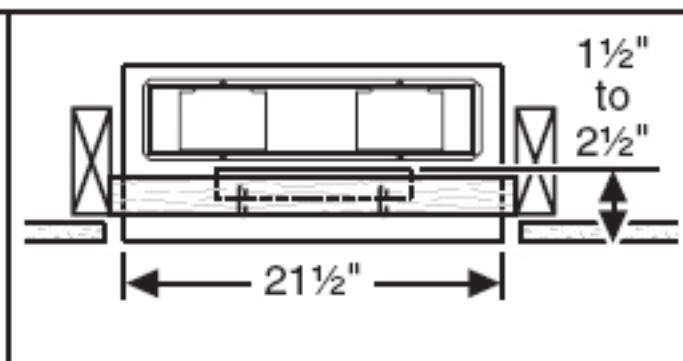
BROAN®

MOUNTING OPTIONS

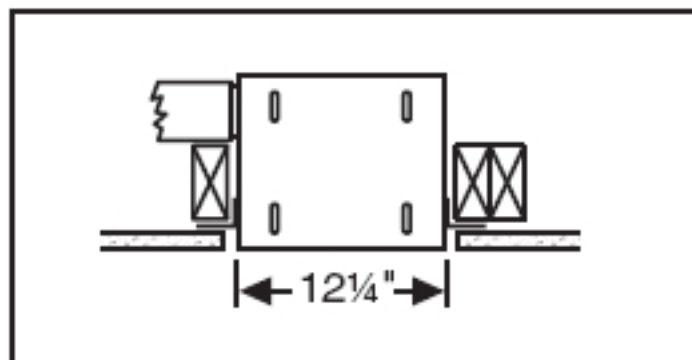
¼-20 hex nuts secure mounting brackets to housing. Loosen and re-tighten or remove and replace nuts as necessary for desired mounting bracket position.



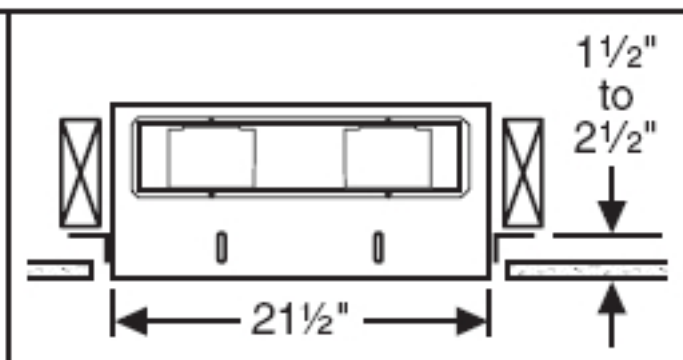
Mounting brackets in factory-shipped position.
(Outlet parallel to joists.)
(New construction)



Mounting brackets flipped over and mounted to outlet sides of housing.
(Outlet parallel to joists.)
(Existing construction)



Mounting brackets mounted to outlet sides of housing.
(Outlet perpendicular to joists.)
(New construction)



Mounting brackets flipped over to give approx. 1" more clearance.
(Outlet parallel to joists.)
(New construction)



SERVICE PARTS

KEY NO.	PART NO.	DESCRIPTION
1	97014744	Housing Assembly
2	97014728	Mounting Bracket (2 req.)
3	98009449	Duct Connector
4	97014822	Damper Flap Assembly (2 req.)
5	99150415	Screw, 8-18 x 1/4 (18 req.)*
6	98005512	Wiring Plate
7	99150471	Ground Screw, 10-32 x 1/2 (2 req.)
8	98005513	Wire Box Cover
9	99400035	Strain Relief Bushing
10	97006039	Wire Harness
11	99500392	Wrapper Insulation
12	99500391	Side Insulation (2 req.)
13	99420466	Insulation Mounting Clip (6 req.)
14	99260477	Nut, 1/4-20 (12 req.)*
15	97014745	Scroll Assembly (2 req.)
16	99110805	Blower Wheel (2 req.)
17	98009399	Inlet Ring (2 req.)
18	99080486	Motor (L400)
	99080487	Motor (L500)
	99080488	Motor (L700)
	99080498	Motor (L400C)
	99080499	Motor (L500C)
	99080500	Motor (L700C)
	99080508	Motor (L400EX)
	99080509	Motor (L500EX)
	99080510	Motor (L700EX)
19	97014794	Motor Mounting Bracket
20	99100497	Rubber Isolator (4 req.)
21	99160380	Screw, 10-24 x 7/8 (4 req.)*
22	99250399	Washer (4 req.)*
23	99260306	Nut, Hex 10-24 (4 req.)*
24	99250254	Washer (4 req.)*
25	93260456	Nut, Hex Flange 3/8-16