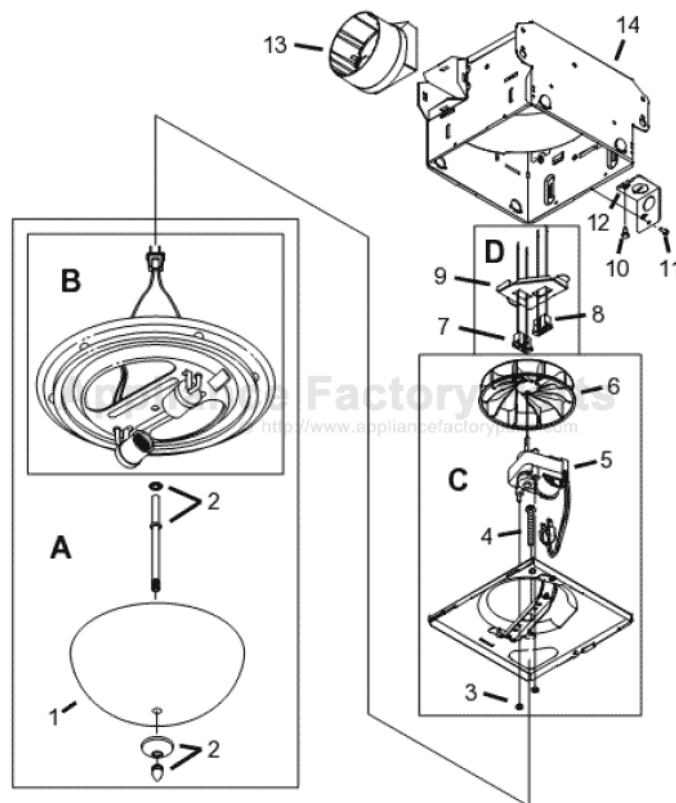


# BROAN 754SN Owner's Manual

[Shop genuine replacement parts for BROAN 754SN](#)



[Find Your BROAN HVAC Parts - Select From 1309 Models](#)

----- Manual continues below -----

## DECORATIVE SERIES CEILING VENTILATOR



# READ AND SAVE THESE INSTRUCTIONS

### WARNING

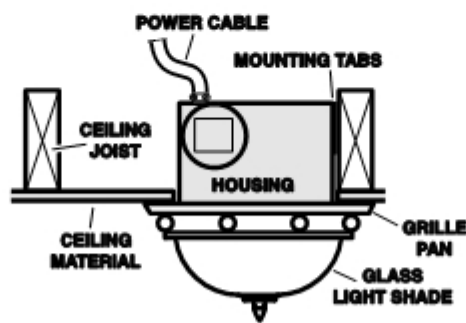
TO REDUCE THE RISK OF FIRE, ELECTRIC SHOCK, OR INJURY TO PERSONS, OBSERVE THE FOLLOWING:

1. Use this unit only in the manner intended by the manufacturer. If you have questions, contact the manufacturer at the address or telephone number listed in the warranty.
2. Before servicing or cleaning unit, switch power off at service panel and lock the service disconnecting means to prevent power from being switched on accidentally. When the service disconnecting means cannot be locked, securely fasten a prominent warning device, such as a tag, to the service panel.
3. Installation work and electrical wiring must be done by a qualified person(s) in accordance with all applicable codes and standards, including fire-rated construction codes and standards.
4. Sufficient air is needed for proper combustion and exhausting of gases through the flue (chimney) of fuel burning equipment to prevent backdrafting. Follow the heating equipment manufacturer's guideline and safety standards such as those published by the National Fire Protection Association (NFPA), and the American Society for Heating, Refrigeration and Air Conditioning Engineers (ASHRAE), and the local code authorities.
5. When cutting or drilling into wall or ceiling, do not damage electrical wiring and other hidden utilities.
6. Ducted fans must always be vented to the outdoors.
7. NEVER place a switch where it can be reached from a tub or shower.
8. This unit must be grounded.
9. This unit is U.L. listed. Type I.C. inherently protected.

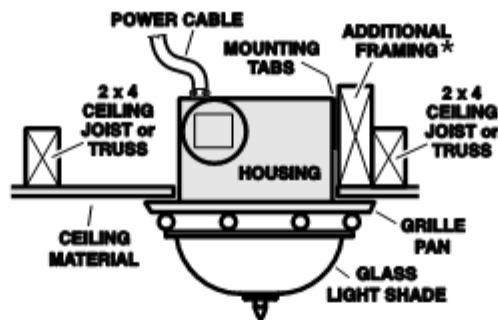
### CAUTION

1. For general ventilating use only. Do not use to exhaust hazardous or explosive materials and vapors.
2. This product is designed for installation in FLAT CEILINGS ONLY. Do not mount this product in a wall.
3. The light fixture assembly must be mounted to the fan housing assembly included with this product. Do not mount the light fixture assembly to a wiring outlet box.

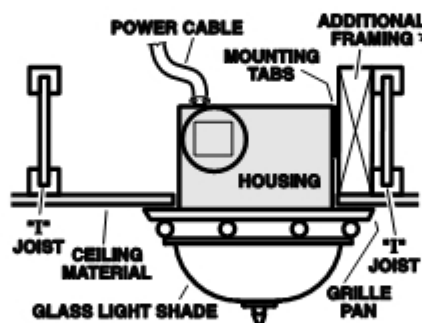
### TYPICAL INSTALLATIONS



**HOUSING MOUNTED  
DIRECTLY TO JOIST  
2x6 (or larger)**  
*Discharge parallel to joists.*



**HOUSING MOUNTED  
TO 2x4 TRUSS**  
*Requires additional framing  
for mounting tabs.*  
*Discharge parallel to joists.*



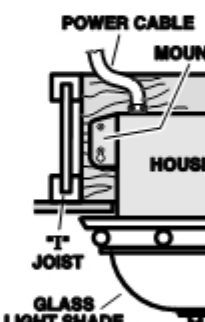
**HOUSING MOUNTED TO "1" JOIST**  
*Requires additional framing  
for mounting tabs.*



**HOUSING MOUNTED TO ADDITIONAL JOIST**  
*Discharge parallel to joists.*

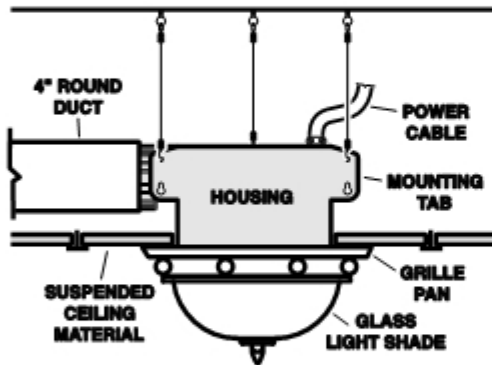


**HOUSING MOUNTED TO 2x4 TRUSS**  
*Requires additional framing  
for mounting tabs.*  
*Discharge perpendicular to joists.*



**HOUSING MOUNTED TO "1" JOIST**  
*Requires additional framing  
for mounting tabs.*

## TYPICAL INSTALLATIONS (continued)



### SUSPENDED CEILINGS

*Housing hung with wires - 3-point mount*

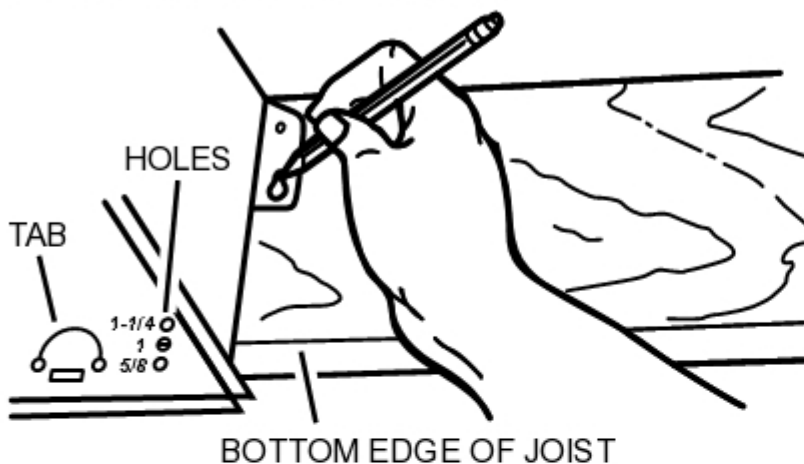
## INSTALL THE HOUSING

- PLEASE NOTE -

THE FOLLOWING INSTALLATION ILLUSTRATIONS SHOW 2 X 6 JOISTS. IF YOU HAVE A TRUSS OR "I"-JOIST INSTALLATION, MOUNT THE VENTILATOR TO THE ADDITIONAL FRAMING IN THE SAME MANNER. (Additional framing must be a 2x6 (minimum height), at least 9-inches long.)

### New Construction

1. Choose the location for your fan in the ceiling. For best possible performance, use the shortest possible duct run and a minimum number of elbows.



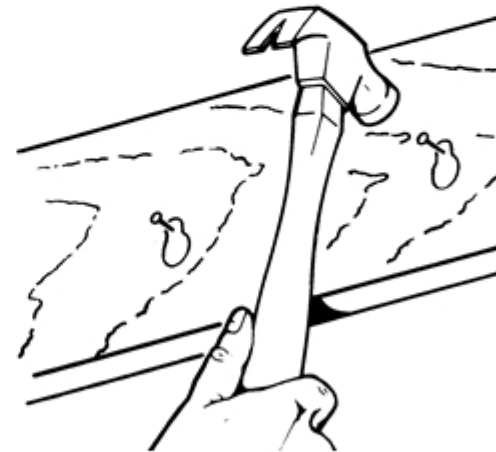
2. Position mounting brackets against joist so that bottom edge of housing will be flush with finished ceiling.

**Additional positioning feature for 5/8", 1", & 1-1/4" thick ceiling material:**

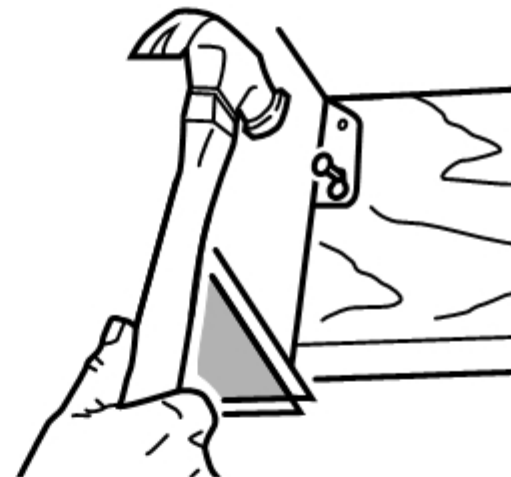
Holes in corners of housing are labeled with various ceiling material thicknesses. Position housing so bottom edge of joist is visible through a matched set of holes. The housing is now in the proper

## INSTALL THE HOUSING (continued)

### New Construction



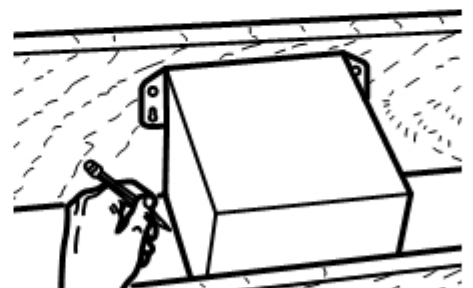
3. Set housing aside and drive nails past top of both keyhole marks.



4. Hang housing from nails and pound a noise-free mount, pound another hole of each mounting tab.

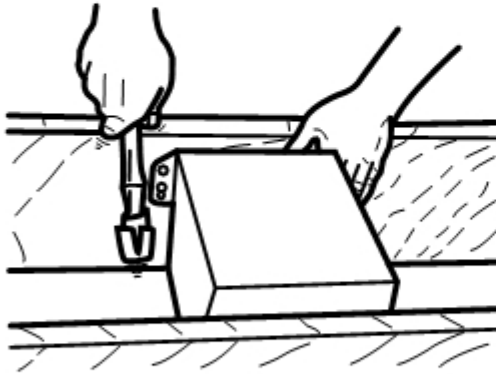
### Existing Construction

1. Choose the location for your fan/light. For best possible performance, use the shortest possible duct run and a minimum number of elbows.

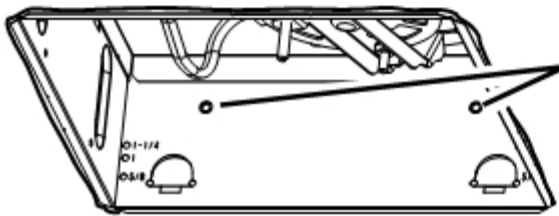


## INSTALL THE HOUSING (continued)

### Existing Construction



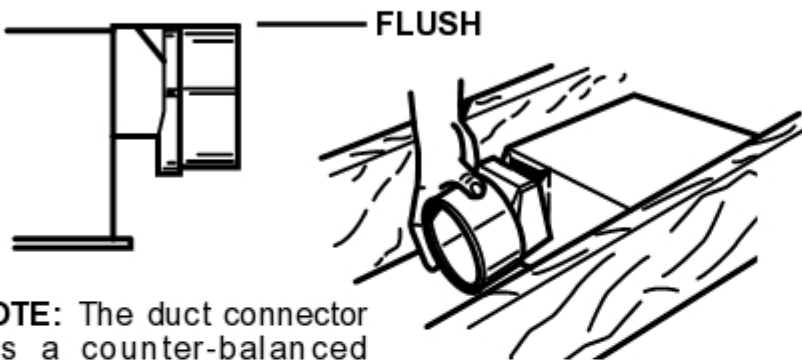
- Place housing in opening so that its bottom edge is flush with finished ceiling. Nail to joist through keyhole on both sides. To ensure a noise-free installation, drive another nail through the top hole of each mounting bracket.



ADDITIONAL MOUNTING HOLES

- Additional mounting holes are provided for installations where access from above is inconvenient or not possible. Nail or screw housing directly to joists or framing.

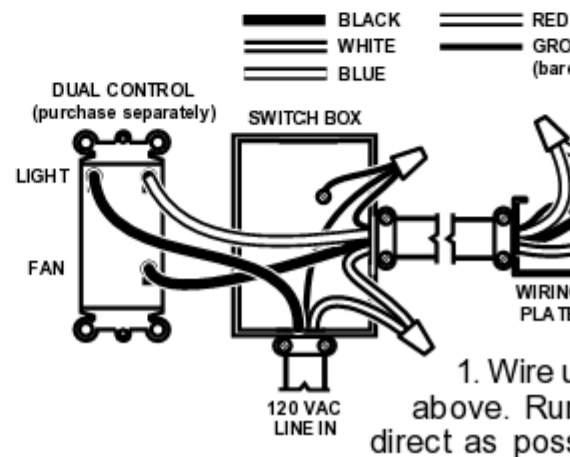
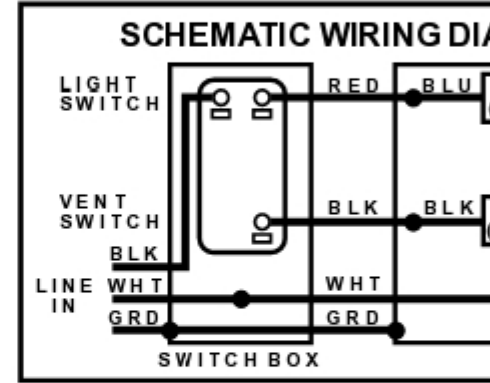
## INSTALL THE DUCTWORK



**NOTE:** The duct connector has a counter-balanced damper flap. The flap will be "open" approx. 1" when duct connector is attached to housing. This design permits insulation to be in direct contact with fan/light housing per UL (Underwriters Laboratories) standards. The slightest backdraft, however, will close the damper flap, preventing air from entering unit or finished space.

- Snap the damper/duct connector onto housing. Make sure that tabs on the connector lock in to slots in housing. Top of

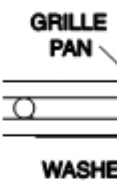
## CONNECT THE WIRING



allow cable to touch sides or top of unit. Complete.

## ATTACH THE GRILLE PAN GLASS SHADE

- Locate the grille pan over the fan housing and connect the wiring harness plug into white receptacle in the fan housing.
- Insert rod through center hole of grille pan. Use washer between collar on rod and pan.
- Thread rod onto grille screw in housing, until pan is tight against ceiling.
- Install bulbs. Use 60 Watt (maximum), candle-labra base bulbs.
- Place glass shade over mounting rod and align shade onto grille pan.



## USE AND CARE

**WARNING: DISCONNECT ELECTRICAL POWER SUPPLY AND LOCK OUT SERVICE PANEL BEFORE CLEANING OR SERVICING THIS UNIT.**

### BULB REPLACEMENT

Remove glass shade. Replace bulbs as required. Replace glass shade.

Use 60 Watt (maximum) candelabra base, incandescent bulbs.

### MOTOR LUBRICATION

The motor is permanently lubricated. Do not oil or disassemble motor.

## SERVICE PARTS

KEY	PART NO.	DESCRIPTION
1	97016702	Glass Shade
2	97016701	Shade Mounting Hardware (754RB)
	97016704	Shade Mounting Hardware (754SN)
3	99260428	Motor Nut, #6-32 Hex (2 req.)
4	99150618	Grille Screw
5	99080522	Motor
6	99110446	Blower Wheel
7	99270981	Lamp Receptacle, White
8	99270982	Motor Receptacle, Black
9	98009612	Wiring Panel
10	99150471	Ground Screw
11	99170245	Screw, #8-18 x 3/8"
12	98008868	Wiring Plate
13	97014185	Damper/Duct Connector
14	97014922	Housing Assembly
A	99525297	Light Fixture Assembly (754RB)
	99525296	Light Fixture Assembly (754SN) (Light Fixture Assembly includes Glass Shade (Key No. 1), Mounting Hardware (Key No. 2), and Grille Pan Assembly (B))
B	97016700	Grille Pan Assembly (754RB)
	97016703	Grille Pan Assembly (754SN)
C	97015312	Blower Assembly (Includes Key Nos. 3 thru 6)
D	97015171	Wire Panel Assembly (Includes Key Nos. 7, 8, 9)

Order replacement parts by "PART NO." - not by "KEY NO."

## WARRANTY

### BROAN-NUTONE ONE YEAR LIMITED WARRANTY

Broan-NuTone warrants to the original consumer purchaser of its products that such products will be free from defects in materials or workmanship for a period of one year from the date of purchase. THERE ARE NO OTHER WARRANTIES, EXPRESS OR IMPLIED, INCLUDING, BUT NOT LIMITED TO, IMPLIED WARRANTIES OF MERCHANTABILITY AND FITNESS FOR A PARTICULAR PURPOSE.

During this one-year period, Broan-NuTone will, at its option, repair or replace, without charge, any product or part which is found to be defective under normal use. THIS WARRANTY DOES NOT EXTEND TO FLUORESCENT LAMP STARTERS AND TUBES. This warranty does not cover (a) normal maintenance and service or (b) products that have been subject to misuse, negligence, accident, improper maintenance or repair (other than by Broan-NuTone), faulty installation or installation contrary to recommendations. The duration of any implied warranty is limited to the one-year period as specified for the express warranty. Some states do not allow limitation on how long an implied warranty can last.

## USE AND CARE

### CLEANING

#### TO CLEAN GLASS SHADE AND GRILLE

Remove glass shade. Shade can be wiped with a mild detergent solution or glass cleaner and dried with a soft cloth. Grille pan may be gently vacuumed with a soft cloth. Never use abrasive cloth, steel wool, or powders on glass shade or grille pan. METAL ELECTRICAL PARTS SHOULD NEVER BE IMMERS

#### TO CLEAN FAN ASSEMBLY:

Remove grille pan and unplug fan assembly. Gently vacuum fan, motor and interior of housing. METAL ELECTRICAL PARTS SHOULD NEVER BE IMMERS

