

This Owner's Manual is provided and hosted by [Appliance Factory Parts](#).



BROAN 766RB Owner's Manual

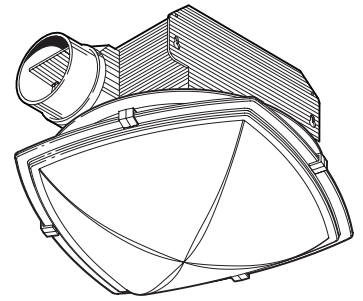
[Shop genuine replacement parts for BROAN 766RB](#)



[Find Your BROAN HVAC Parts - Select From 1309 Models](#)

----- Manual continues below -----

MODELS 766BN, 766RB VENTILATION FAN WITH DECORATIVE LIGHT FIXTURE



DESCRIPTION

LIGHT FIXTURE:

- Corrosion resistant Brushed Nickel finish with White Alabaster glass shade (766BN)
- Corrosion resistant Oil-Rubbed Bronze finish with Ivory Alabaster glass shade (766RB)
- Close mount design
- Uses two 60 Watt maximum, B10 type, candelabra bulbs. Bulbs not included.
- Vent opening in fixture base for exhaust fan
- Light fixture assembly is plug-in and removable

BLOWER:

- Plug-in permanently lubricated motor
- Polymeric blower wheel

HOUSING:

- Rugged, 26-gage galvanized steel construction
- 5-3/4" height allows for 2" x 6" (nominal) joist installations
- Sturdy key-holed mounting brackets for quick, accurate installation
- Tapered, polymeric duct fitting with built-in backdraft damper for easy, positive duct connection and no metallic clatter

NOTE: For installation in flat ceilings only.

U.L. Listed for use in insulated ceilings (Type I.C.)

Use supply wiring rated for at least 90° C

SPECIFICATIONS

MODEL	VOLTS	AMPS
766BN / 766RB	120	1.6

STATIC PRESSURE	CFM	SONES	DUCT
0.10	80	2.5	4" Round

TYPICAL SPECIFICATION

Ventilation Fan with Decorative Light Fixture shall be Broan Model 766BN (766RB).

Unit shall have galvanized steel housing with dual integral mounting brackets. It shall be ducted to a roof or wall cap.

Blower assembly shall be removable and have a permanently lubricated motor.

Light fixture assembly shall be plug-in, removable and include:

- a white alabaster glass shade and a corrosion-resistant base with brushed nickel finish (766BN)
- an ivory alabaster glass shade and a corrosion-resistant base with oil-rubbed bronze finish (766RB).

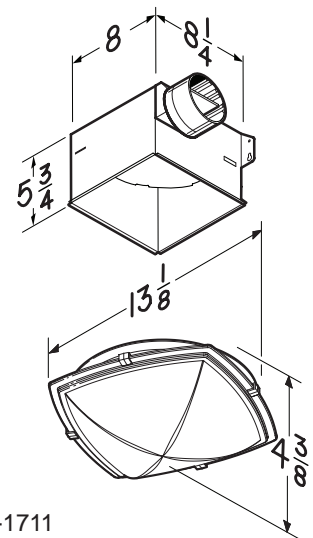
Lamps shall be two 60 Watt maximum, B10 type, candelabra bulbs.

Air delivery to be no less than 80 cfm and sound level no greater than 2.5 sones. Air and sound ratings shall be certified by HVI.

Unit shall be U.L. Listed for use in insulated ceilings (Type I.C.)



HVI-2100 CERTIFIED RATINGS comply with new testing technologies and procedures prescribed by the Home Ventilating Institute, for off-the-shelf products, as they are available to consumers. Product performance is rated at 0.1 in. static pressure, based on tests conducted in a state-of-the-art test laboratory. Sones are a measure of humanly-perceived loudness, based on laboratory measurements.



Broan-NuTone LLC Hartford, Wisconsin www.broan.com 800-558-1711
Broan-NuTone Canada Mississauga, Ontario www.broan.ca 877-896-1119

REFERENCE	QTY.	REMARKS	Project
			Location
			Architect
			Engineer
			Contractor
			Submitted by Date