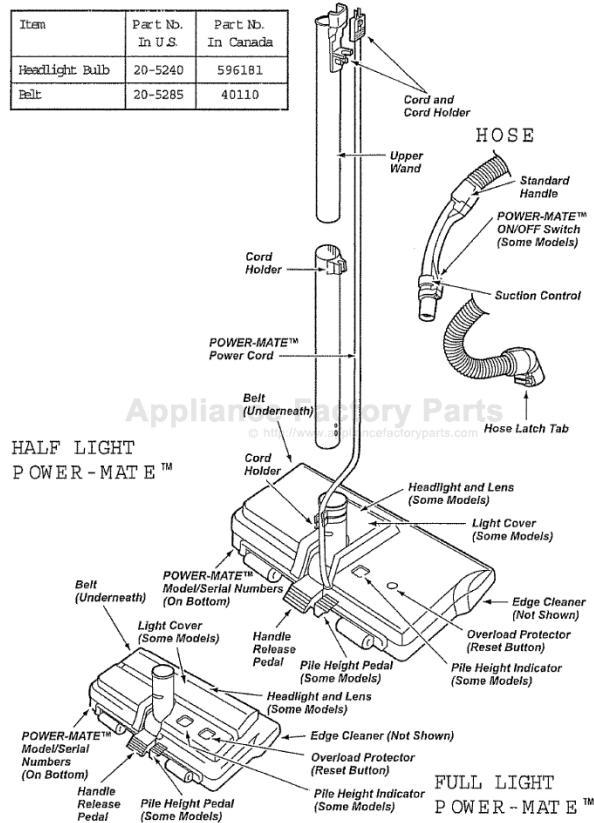


Kenmore 116.27212 Owner's Manual

[Shop genuine replacement parts for Kenmore
 116.27212](#)



[Find Your Kenmore Vacuum Cleaner Parts - Select From 745 Models](#)

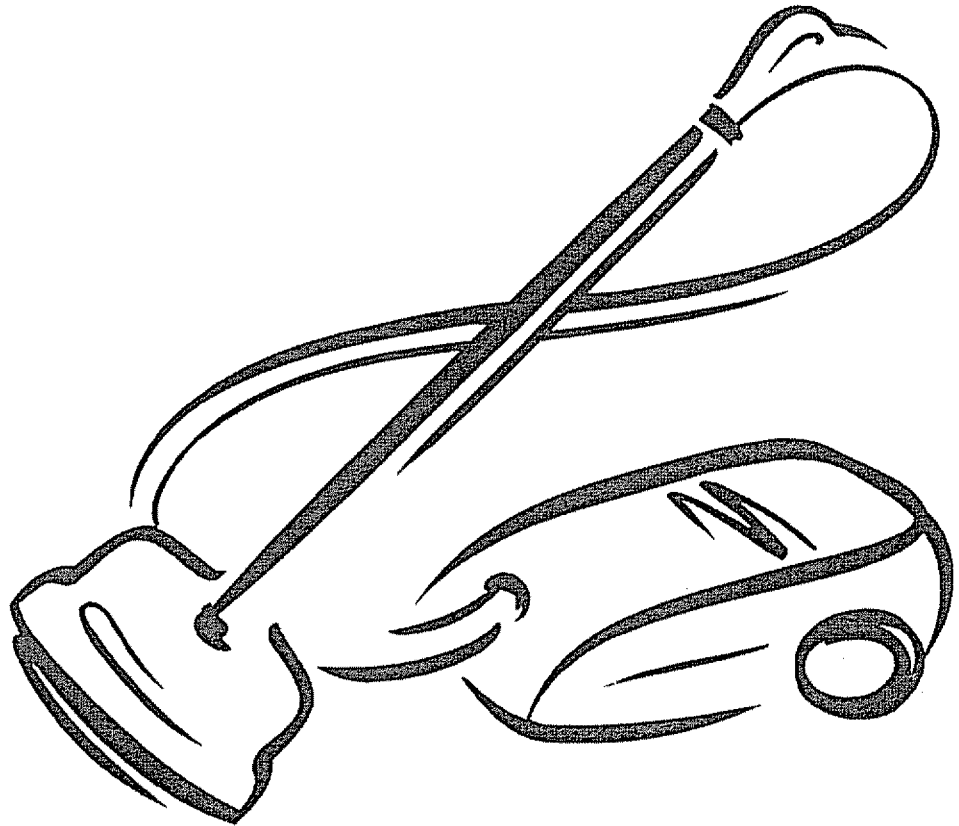
----- Manual continues below -----

Owner's Manual



Vacuum Cleaner

Model 116.27212



CAUTION:

Read and follow all
safety and operating
instructions before first
use of this product.

Sears, Roebuck and Co., Hoffman Estates, IL 60179 U.S.A.

Part No. C01ZARX10U00-4370628

Printed in U.S.A.

TABLE OF CONTENTS

Before Using Your New Vacuum	2	Canister Care	12
Kenmore Vacuum Cleaner Warranty ...	2	Bag Changing	12
Important Safety Instructions	3	Motor Safety Filter Cleaning	13
Parts and Features	4-5	Cleaning Exterior and Attachments	13
Assembly	6-7	Power-Mate™ Care	14
Use	8	Light Bulb Changing	14
How to Start	8	Belt Changing and Brush Cleaning ...	14-15
Vacuuming Tips	9	Brush Servicing	16
Suggested Pile Height Settings	9	Brush Assembly	16
Attachments	10	Troubleshooting	17
Attachment Use Chart	10	Requesting Assistance Or Service ...	18
Performance Features	11		
How Your Vacuum Works	12		

BEFORE USING YOUR NEW VACUUM

Please read this guide. It will help you assemble and operate your new Kenmore vacuum in the safest and most effective way.

For more information about the care and operation, call your nearest Sears store. You will need the complete model and serial numbers when requesting information. Your vacuum's model and serial numbers are located on the Model and Serial Number Plate.

Use the space below to record the model number and serial number of your new Kenmore vacuum.

Model No. _____

Serial No. _____

Date of Purchase _____

Keep this book and your sales check (receipt) in a safe place for future reference.

KENMORE VACUUM CLEANER WARRANTY

LIMITED ONE YEAR WARRANTY ON KENMORE VACUUM CLEANER

This warranty is for one year from the date of purchase, and includes only private household vacuum cleaner use. During the warranty year, when this vacuum cleaner is operated and maintained according to the owner's manual instructions, Sears will repair any defects in material or workmanship free of charge.

This warranty excludes vacuum bags, belts, light bulbs, and filters, which are expendable parts and become worn during normal use.

For warranty service, return this vacuum cleaner to the nearest Sears Service Center in the United States.

This warranty applies only while this product is in use in the United States. This warranty gives you specific legal rights, and you may also have other rights which vary from state to state.

Sears, Roebuck and Co., D/817 WA, Hoffman Estates, IL 60179

IMPORTANT SAFETY INSTRUCTIONS



WARNING

Your safety is important to us. To reduce the risk of fire, electrical shock, injury to persons or damage when using your vacuum cleaner, follow basic safety precautions including the following:

Read this manual before assembling or using your vacuum cleaner.

Use your cleaner only as described in this manual. Use only with Sears recommended attachments.

To reduce the risk of electrical shock - Do not use outdoors or on wet surfaces.

Disconnect electrical supply before servicing or cleaning out brush area. Failure to do so could result in electrical shock or brush suddenly starting.

Always turn cleaner off before connecting or disconnecting the hose or POWER-MATE™.

Always turn cleaner off before unplugging.

Do not unplug by pulling on cord. To unplug, grasp the plug, not the cord.

Hold plug when rewinding onto cord reel. Do not allow plug to whip when rewinding.

Do not use with damaged cord or plug. If cleaner is not working as it should, has been dropped, damaged, left outdoors, or dropped into water, return it to a Sears Service Center/Department.

Do not pull or carry by cord, use cord as a handle, close door on cord, or pull cord around sharp edges or corners. Do not run cleaner over cord. Keep cord away from heated surfaces.

Do not leave cleaner when plugged in. Unplug from outlet when not in use and before servicing.

Do not allow to be used as a toy. Close attention is necessary when used by or near children.

Do not handle plug or cleaner with wet hands.

Do not operate the cleaner with a punctured hose. The hose contains electrical wires. Replace if cut or worn. Avoid picking up sharp objects.

Do not put any objects into openings.

Do not use with any opening blocked; keep free of dust, lint, hair and anything that may reduce air flow.

Keep hair, loose clothing, fingers, and all parts of body away from openings and moving parts.

Do not use cleaner without dust bag and/or filters in place.

Always change the dust bag after vacuuming carpet cleaners or freshener, powders and fine dust. These products clog the bag, reduce airflow and can cause the bag to burst. Failure to change bag could cause permanent damage to the cleaner.

Do not use the cleaner to pick up sharp hard objects, small toys, pins, paper, etc. They may damage the cleaner or dust bag.

Do not pick up anything that is burning or smoldering, such as cigarettes, matches, or hot ashes.

Do not use cleaner to pick up flammable or combustible liquids (gasoline, cleaning fluids, perfumes, etc.), or use in areas where they may be present. The fumes from these substances can create a fire hazard or explosion.

Use extra care when cleaning on stairs. Do not put on chairs, tables, etc. Keep on floor.

You are responsible for making sure that your vacuum cleaner is not used by anyone unable to operate it properly.

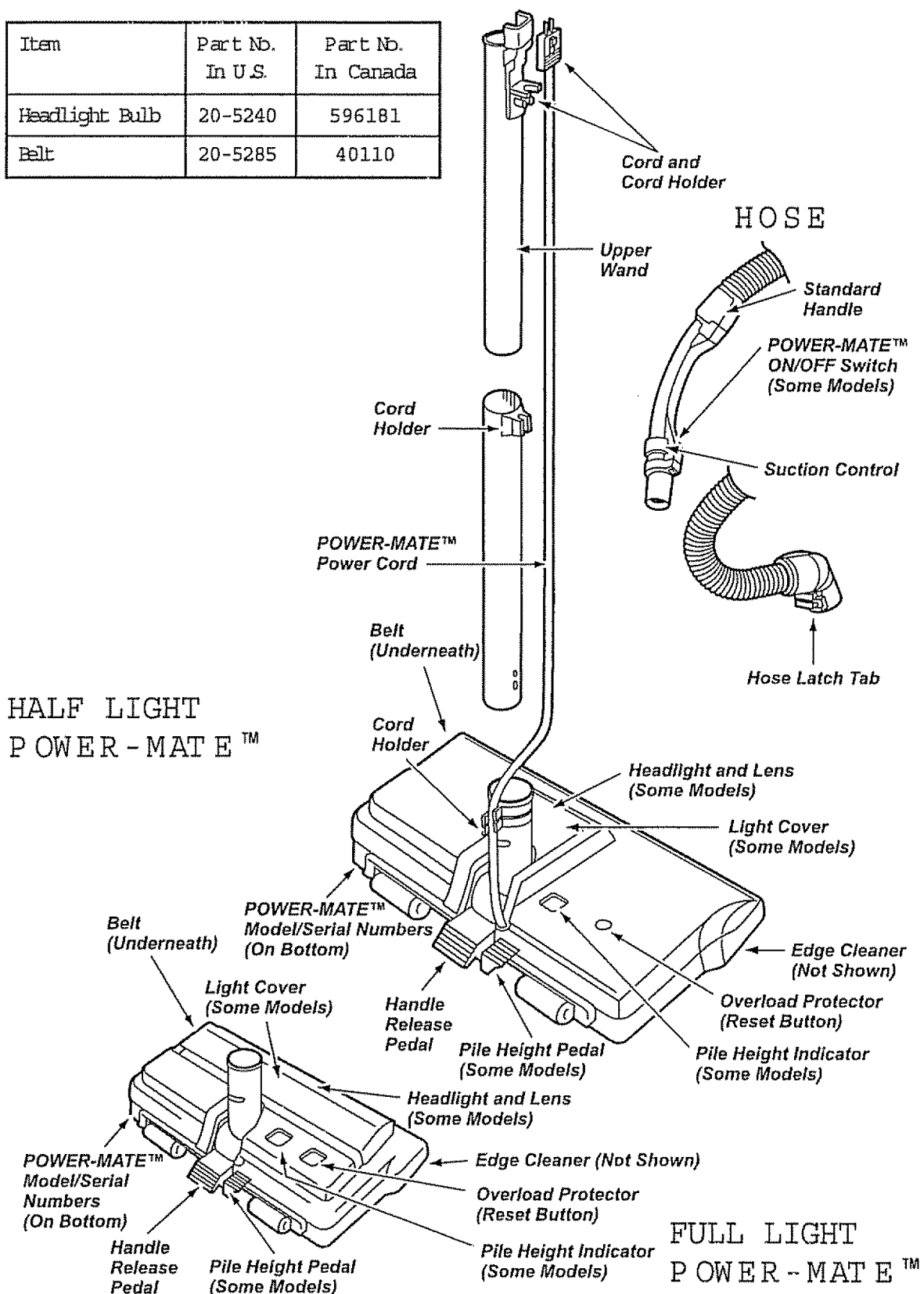
SAVE THESE INSTRUCTIONS

Proper assembly and safe use of your vacuum cleaner are your responsibilities. Your cleaner is intended only for household use. Read this Owner's Manual carefully for important use and safety information. This guide contains safety statements under warning and caution symbols. Please pay special attention to these boxes and follow any instructions given. WARNING statements alert you to such dangers as fire, electrical shock, burns and personal injury. CAUTION statements alert you to such dangers as personal injury and/or property damage.

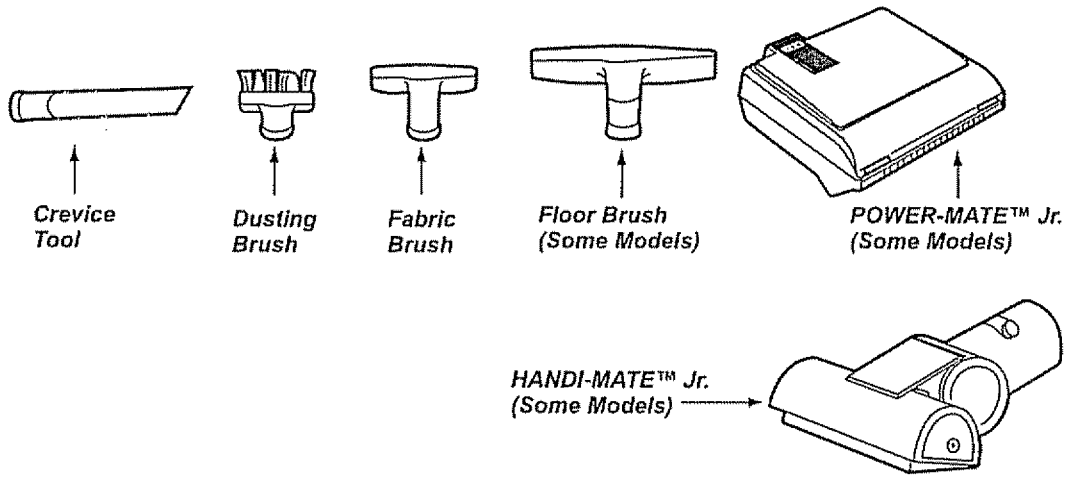
PARTS AND FEATURES

It is important to know your vacuum cleaner's parts and features to assure its proper and safe use. Review these before using your cleaner.

Item	Part No. In U.S.	Part No. In Canada
Headlight Bulb	20-5240	596181
Belt	20-5285	40110

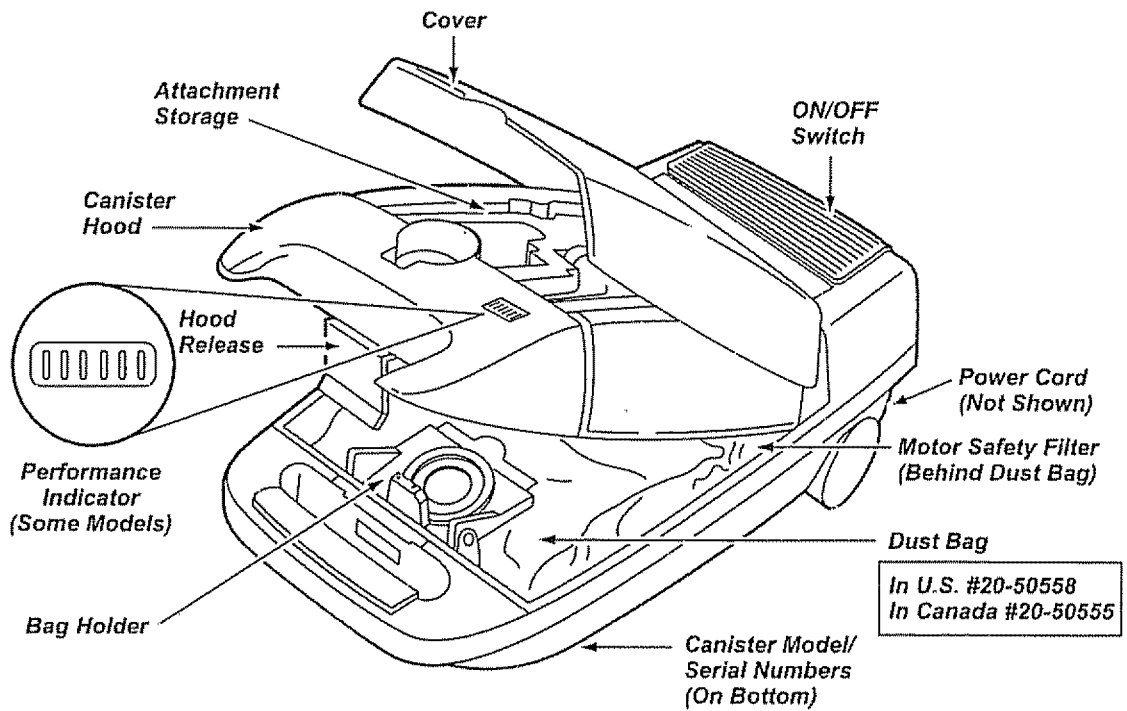


ATTACHMENTS



NOTE: All models have one set of attachments in the canister. Some models have an additional set, which can be kept in the accessory bag for garage use.

CANISTER



ASSEMBLY

Before assembling vacuum, check the PACKING LIST on the cover of the separate Repair Parts List. Use this list to verify that you have received all the components of your new Kenmore vacuum.



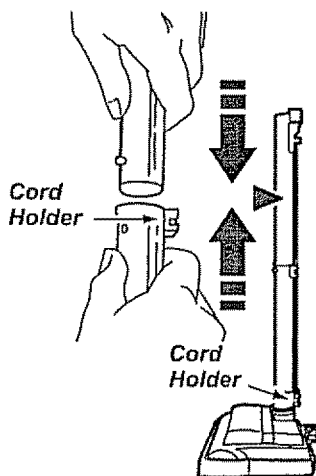
WARNING

Electrical Shock Hazard

DO NOT plug into electrical supply until assembly is complete. Failure to do so could result in electrical shock or injury.

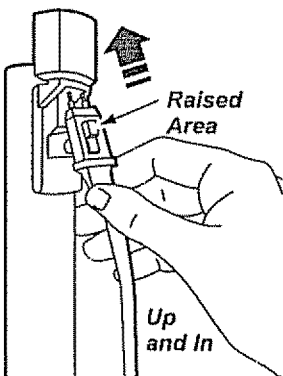
WANDS

Slide wands together until wand button snaps into place.



POWER-MATE™

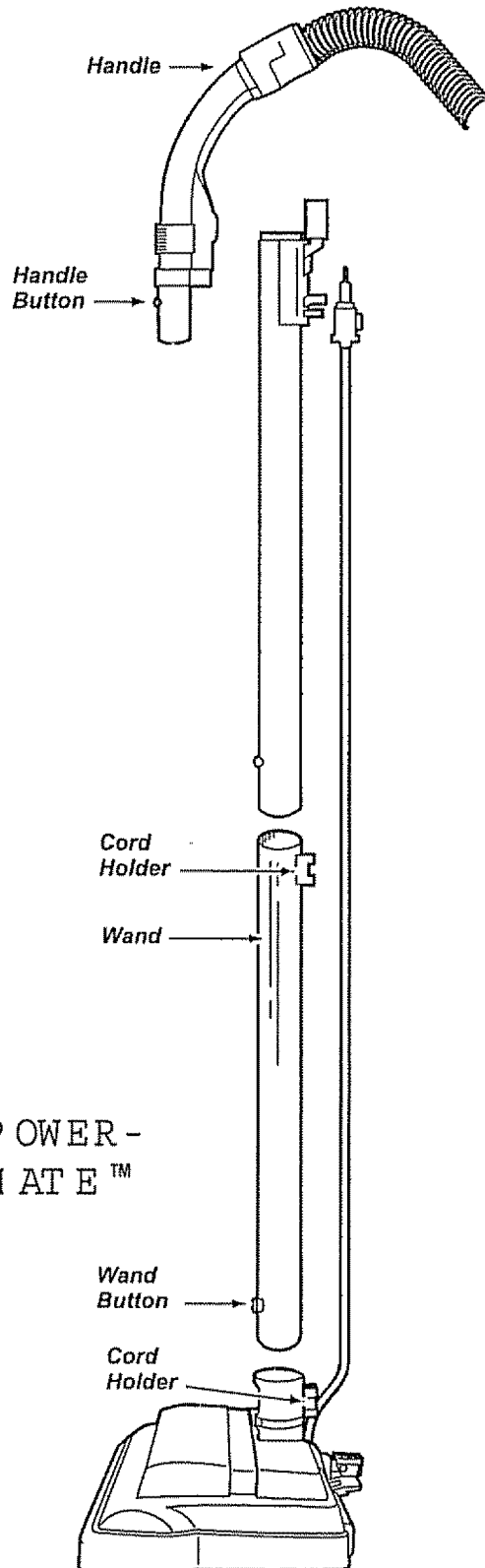
1. Insert wands into POWER-MATE™ until the wand button snaps into place.



2. Connect POWER-MATE™ plug and cord as shown. DO NOT force. Raised area of plug must be toward hand.

3. Secure cord into cord holder on wand and POWER-MATE™.

To remove: Disconnect cord, steady POWER-MATE™ with foot and turn wands until the button disappears, then pull wands out of POWER-MATE™.



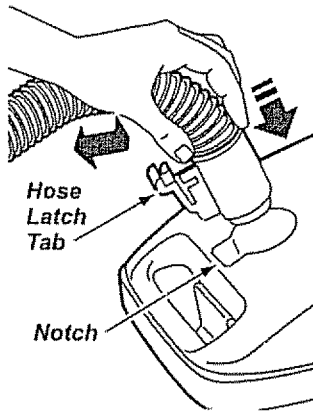
CANISTER

1. Open the canister hood.
2. Check to see that the dust bag is properly installed. See BAG CHANGING for instructions.
3. Check to see that the motor safety filter is properly installed. See MOTOR SAFETY FILTER CLEANING for instructions.

HOOD

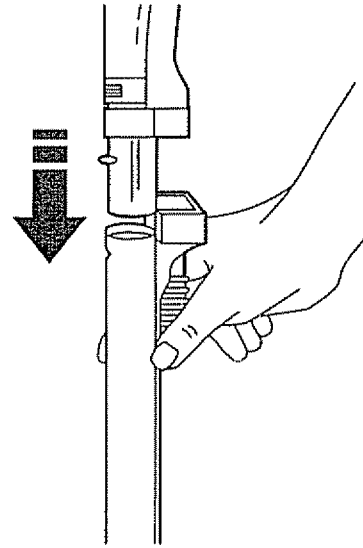
It is normal for the canister hood to come off when opened further than needed. Line up the hinges, insert them, and close the hood to replace it.

HOSE



1. Line up the hose latch tab and notch in canister hood and insert hose into canister until it snaps in place.

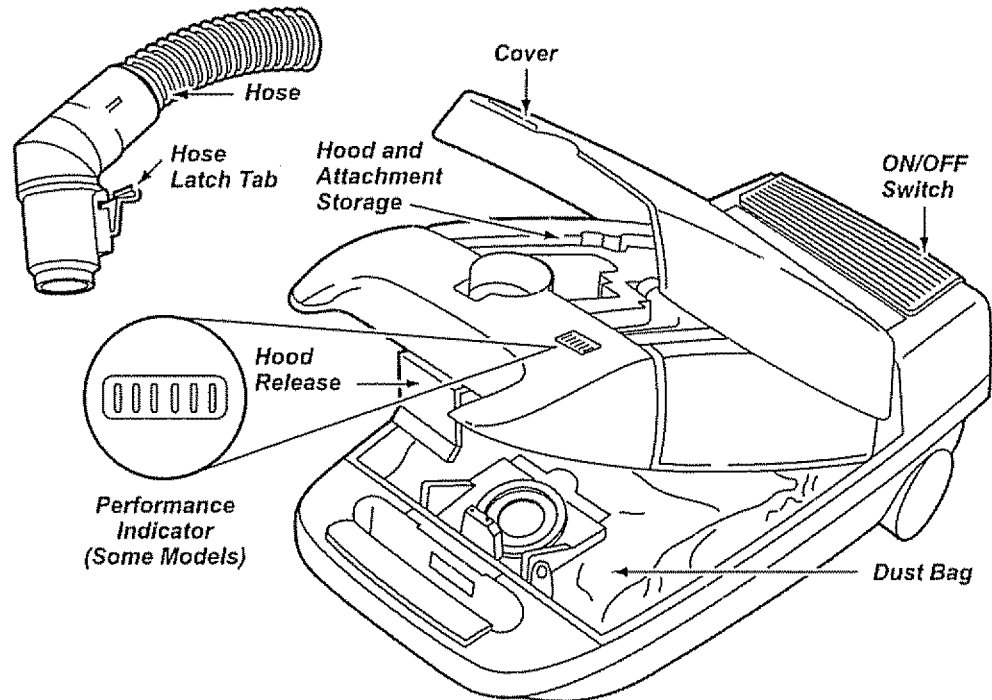
To remove: Lift hose latch tab upward and pull up on hose.



2. Insert handle into wand until lock button snaps in place. Be sure hose is not twisted.

To remove: press handle release button and pull up on handle.

To store: Disconnect hose from wands and canister to prevent stress on hose during storage. Store hose in a loosely coiled position so the hose covering is not stressed.



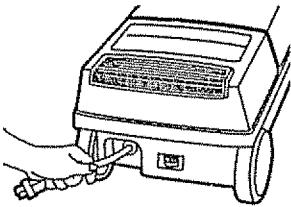
HOW TO START



WARNING

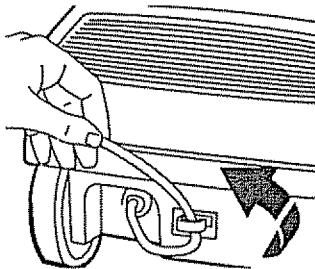
Personal Injury and Product Damage Hazard

- D O N O T plug in if switch is in ON position. Personal injury or damage could result.
- The cord moves rapidly when rewinding. Keep children away and provide a clear path when rewinding the cord to prevent personal injury.
- D O N O T use outlets above counters. Damage to items in surrounding area could occur.



1. Pull cord out of canister to desired length.

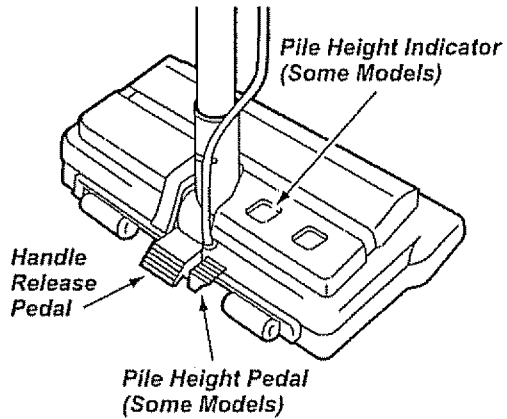
2. Snap cord into grip to prevent accidental rewinding.



NOTE: To reduce the risk of electric shock, this vacuum cleaner has a polarized plug, one blade is wider than the other. This plug will fit in a polarized outlet only one way. If the plug does not fit fully in the outlet, reverse the plug. If it still does not fit, contact a qualified electrician to install the proper outlet. Do not change the plug in any way.

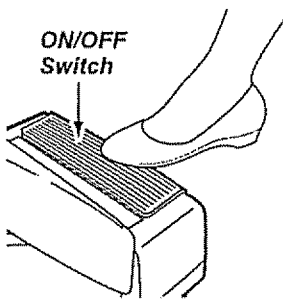
3. Plug the polarized power cord into a 120 Volt outlet located near the floor.

To rewind: Unplug the cleaner. Hold the plug while rewinding to prevent damage or injury from the moving cord. A slight tug will release the locking pawls in the cord reel allowing it to retract.



4. Lower wand from upright position by pressing on the handle release pedal.

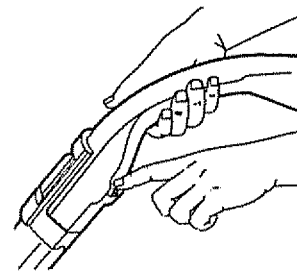
5. Select a pile height setting by pressing the small pedal on the rear of the POWER-MATE™. The pile height setting shows on the indicator. See SUGGESTED PILE HEIGHT SETTINGS.



6. To turn unit on, step on the ON/OFF switch.

SOME MODELS

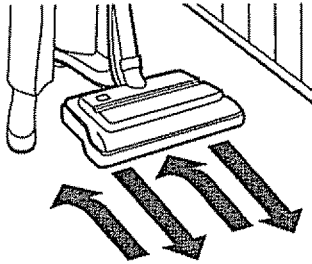
To turn on POWER-MATE™, move the ON/OFF switch to the ON position.



VACUUMING TIPS

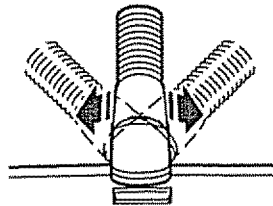
Suggested sweeping pattern.

For best cleaning action, the POWER-MATE™ should be pushed straight away from you and pulled straight back. At the end of each pull stroke, the direction of the POWER-MATE™ should be changed to point into the next section to be cleaned. This pattern should be continued across the rug with slow, gliding motions.



NOTE: Fast, jerky strokes do not provide complete cleaning.

The hose swivel allows the hose to turn without moving the canister. This is helpful for cleaning in small areas. Check hose for twisting before pulling canister.



Carpeted stairs need to be vacuumed regularly. For best cleaning results, fully close the suction control. See PERFORMANCE FEATURES.



WARNING

Personal Injury Hazard

Use care if canister is placed on stairs. If it falls, personal injury or property damage could result.

For best cleaning results, keep the airflow passage open. Check each assembly area in HOW YOUR VACUUM WORKS occasionally for clogs. Unplug from outlet before checking.

SUGGESTED PILE HEIGHT SETTINGS

For best deep down cleaning, use the XLO setting. However, you may need to raise the height to make some jobs easier, such as scatter rugs and some deep pile carpets, and to prevent the vacuum cleaner from shutting off. Suggested settings are:

- HI - Shag, deep pile, or scatter rugs.
- MED - Medium to deep pile.
- LO - Low to medium pile.
- XLO - Most carpets and bare floors.

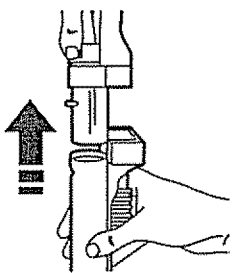
ATTACHMENTS



CAUTION

DO NOT attach or remove handle or wands while cleaner is ON. This could cause sparking and damage the electrical contacts.

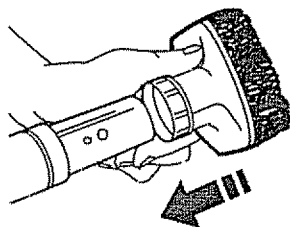
ATTACHMENTS ON HANDLE



NOTE: If the POWER-MATE™ is attached, turn cleaner off before removing handle from wands.

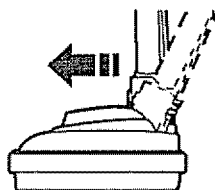
1. Press lock button, then pull to remove handle from wand.

2. Slide attachments firmly on handle as needed. See chart below.



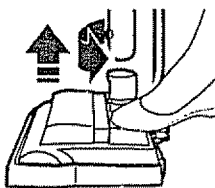
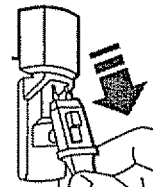
ATTACHMENTS ON WANDS

NOTE: If the POWER-MATE™ is attached, turn cleaner off before removing plug from wands.



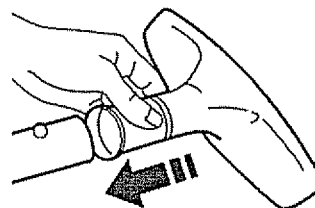
1. To remove wands from POWER-MATE™, lock wands in straight-up position.

2. Remove POWER-MATE™ plug and cord from holders.










3. Disconnect cord and steady POWER-MATE™ with foot and turn wands until lock button disappears, then pull wands out of POWER-MATE™.

4. Put attachment on wands as needed. See chart



ATTACHMENT USE CHART

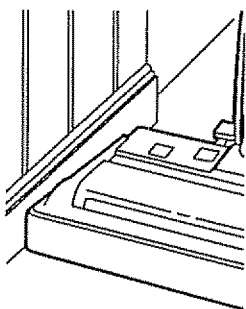
ATTACHMENT	CLEANING AREA						
	Furniture*	Between Cushions*	Drapes*	Stairs	Bare Floors	Carpeted Floors/Rugs	Walls
DUSTING BRUSH 	X		X				X
CREVICE TOOL 	X	X					
FABRIC BRUSH 	X		X				
FLOOR BRUSH 				X	X		X
POWER-MATE™ 					X**	X	
HANDI-MATE™ JR. (Some Models)** 	X			X			
POWER-MATE™ JR. (Some Models)** 	X			X			

*Always clean attachments before using on fabrics. ** (Some Models) POWER-MATE™ switch should be in OFF position.

NOTE: When separating wands, depress lock button completely before pulling wands apart. If wand lock button is difficult to depress, push the two wands more tightly together to line up the lock button with the hole. Depress lock button and then pull wands apart.

PERFORMANCE FEATURES

EDGE CLEANER



Active brush edge cleaners are on both sides of the POWER-MATE™. Guide either side of the POWER-MATE™ along baseboards or next to furniture to help remove dirt trapped at carpet edges.



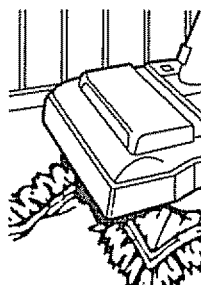
WARNING

Personal Injury Hazard

Always unplug the vacuum cleaner before cleaning the brush area as brush may suddenly restart. Failure to do so can result in personal injury.

OVERLOAD PROTECTOR

The POWER-MATE™ has built-in protection against motor and belt damage should the brush jam. If the brush slows down or stops, the overload protector button pops up and shuts off the POWER-MATE™. The canister motor will continue to run.

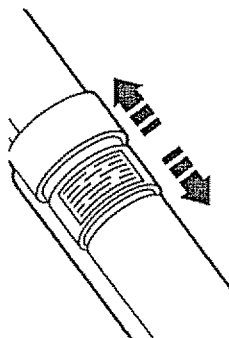


To correct problem: See TROUBLESHOOTING.

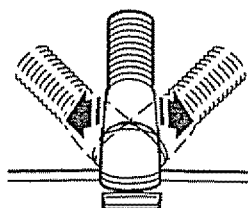
To reset: Push in the overload protector button.

SUCTION CONTROL

The suction control allows you to change the vacuum suction for different fabric and carpet weights. Opening the control decreases suction for draperies and lightweight rugs, while closing the control increases suction for upholsteries and carpets.



HOSE SWIVEL



The hose swivel allows the hose to turn without moving the canister. This is helpful for cleaning in small areas. Check hose for twisting before pulling canister.

PERFORMANCE INDICATOR SOME MODELS

When the unit is running the lines in the indicator windows will be clear if



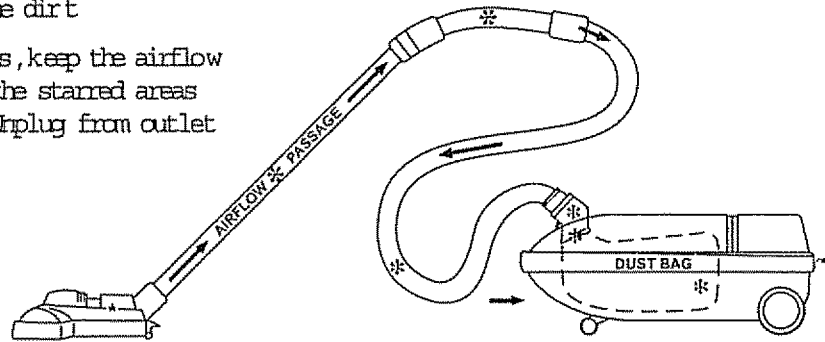
there are no clogs. When the lines turn completely red there is a need to check the dust bag for being full or the other areas that may be clogged. See HOW YOUR VACUUM WORKS.

NOTE: Red lines may appear when using attachments or when cleaning new carpet, due to reduced airflow by the attachments themselves or new carpet fuzz filling the bag quickly.

HOW YOUR VACUUM WORKS

The vacuum cleaner creates suction that picks up dirt. Rapidly moving air carries the dirt to the dust bag through the airflow passages. The dust bag lets the air pass through, while it traps the dirt.

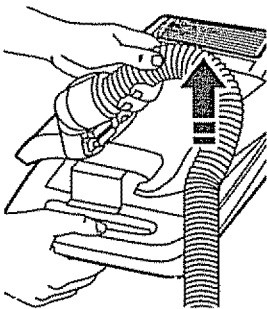
For best cleaning results, keep the airflow passage open. Check the starred areas occasionally for clogs. Unplug from outlet before checking.



CANISTER CARE

BAG CHANGING

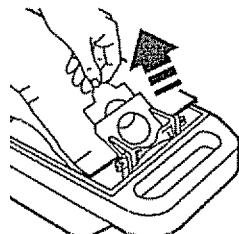
For best cleaning results, the dust bag should be changed often. The performance indicator, some models, will come on when the bag needs to be changed or the airflow is blocked. NOTE: See PARTS AND FEATURES for Bag #.



1. Unplug cord from wall outlet.

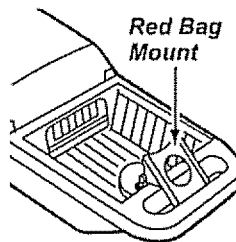
2. Pull hood release out and up, then lift canister hood.

3. Disengage cardboard tab from red bag mount by pressing away and lifting up.



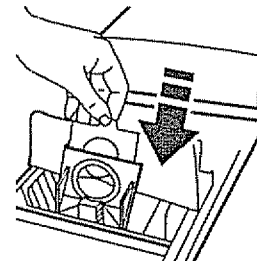
4. Pull bag out of the red bag mount.

5. Check and clean motor safety filter. The red bag mount will flip forward after removing bag. This will prevent the lid from closing until a new bag is installed.



6. Raise red bag mount.

7. Install bag into slots per illustrations pushing down until the cardboard tab locks into position and the holes align. Tuck the back end of the bag down.



8. Close and latch canister hood.

9. Plug cord into wall outlet.



CAUTION

NEVER REUSE A DUST BAG. Very fine materials, such as carpet freshener, face powder, fine dust, plaster, scot, new carpet lint, etc. can clog the bag and cause it to burst before it is full. Change bag more often when vacuuming these materials.

MOTOR SAFETY FILTER CLEANING

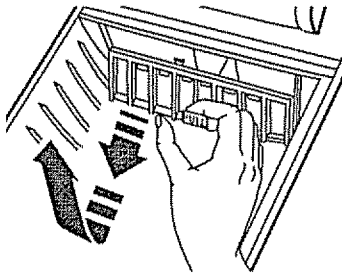


WARNING

Electrical Shock Hazard

Do not operate the cleaner without the motor safety filter. Be sure the filter is dry and properly installed to prevent motor failure and/or electrical shock.

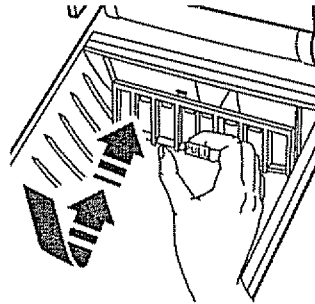
Check motor safety filter occasionally and clean when dirty.



1. Unplug cord from wall outlet and remove bag.

2. Pull out safety filters as shown.

3. Wash filter in warm soapy water, rinse, then dry. Do not clean in dishwasher.



4. Snap filter back into canister.

5. Insert bag.

CLEANING EXTERIOR AND ATTACHMENTS

Unplug cord from wall outlet. Do not drip water on cleaner.

Clean exterior using a clean, soft cloth that has been dipped in a solution of mild liquid detergent and water, then wrung dry. Wipe dry after cleaning.

To reduce static electricity and dust build-up, wipe outer surface of cleaner and attachments.

Wash attachments in warm soapy water, rinse and air dry. Do not clean in dishwasher.

DO NOT USE ATTACHMENTS IF THEY ARE WET.



CAUTION

Attachments used in dirty areas, such as under a refrigerator, should not be used on other surfaces until they are washed. They could leave marks.

POWER-MATE™ CARE

Always follow all safety precautions when cleaning and servicing the POWER-MATE™.



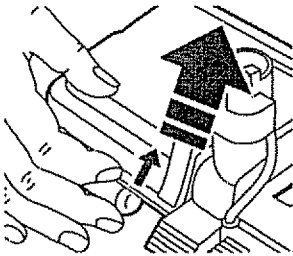
WARNING

Electrical Shock Or Personal Injury Hazard

Disconnect electrical supply before servicing or cleaning the unit. Failure to do so could result in electrical shock or personal injury from cleaner suddenly starting.

LIGHT BULB CHANGING

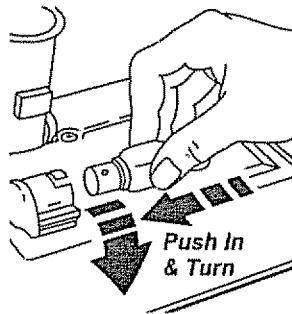
HALF LIGHT POWER-MATE™



1. Remove light cover by lifting at arrow as shown.

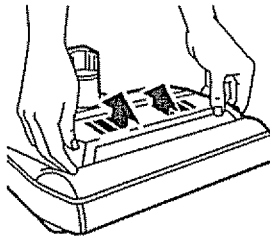
2. Push in and turn bulb counterclockwise to remove.

3. Replace the bulb. Bulb must not be higher than 15 Watts. Close light cover until it snaps in place.



NOTE: See PARTS AND FEATURES for Bulb #.

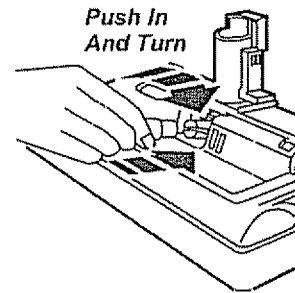
FULL LIGHT POWER-MATE™



1. Remove light cover by pressing in and lifting both sides as shown.

2. Push in and turn bulb counterclockwise to remove.

3. Replace the bulb. Bulb must not be higher than 15 Watts. Close light cover until it snaps in place.



NOTE: See PARTS AND FEATURES for Bulb #.

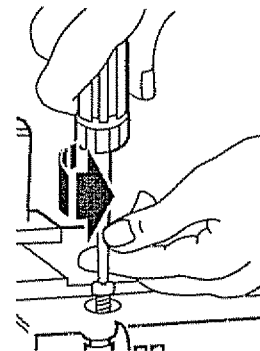
BELT CHANGING AND BRUSH CLEANING

Disconnect cleaner from electrical outlet. Check and remove hair, string and lint build-up frequently in the POWER-MATE™ brush and brush support areas. If build-up becomes excessive, disconnect POWER-MATE™ from wand and follow the steps below. Instructions can also be found under the light cover.

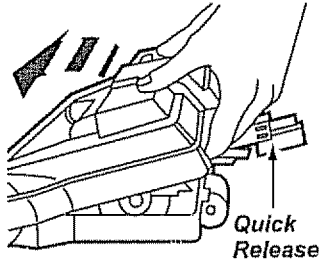
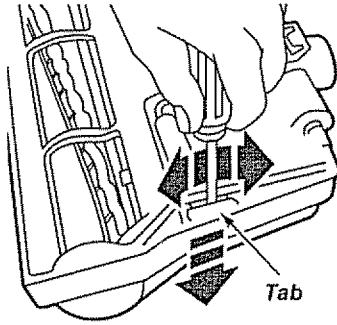
TO REMOVE BELT:

1. Remove light cover and light bulb as shown under LIGHT BULB CHANGING.

2. Unscrew the POWER-MATE™ cover screws.

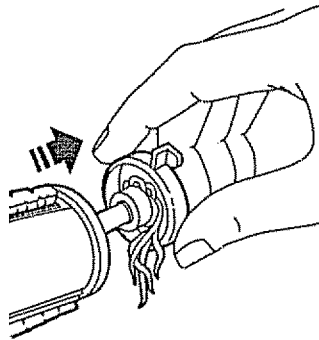
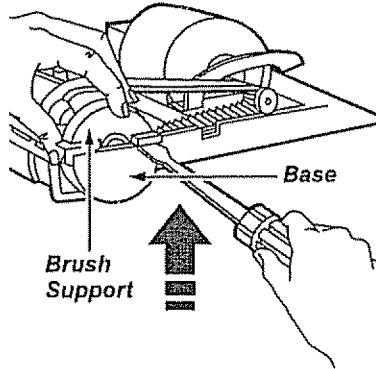


3. Turn POWER-MATE™ over. To remove cover, insert screwdriver at cover tabs on both sides and twist to release tabs.



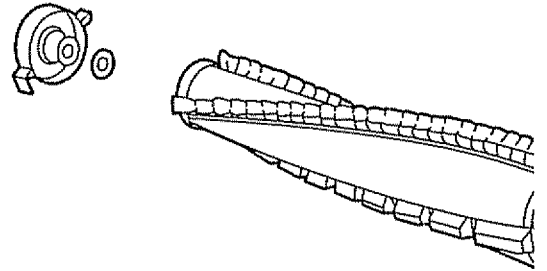
4. Turn POWER-MATE™ right side up. Press handle release pedal and lower the swivel. Tilt cover forward from back until front snaps free.

5. Carefully insert and twist screwdriver at each brush support to free brush from base.
6. Remove worn belt.



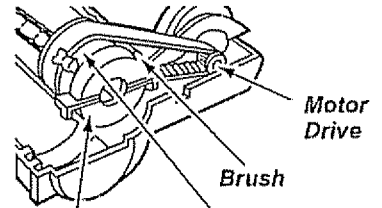
7. Slide brush supports off to check and clean brush support areas. See BRUSH ASSEMBLY for picture of complete brush assembly.

TO REPLACE BELT:

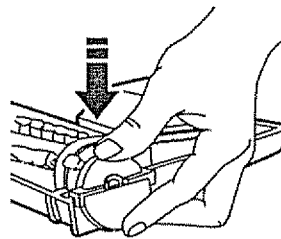


1. Slide washers and brush supports onto brush assembly.

2. Install new belt over motor drive, then over brush sprocket.

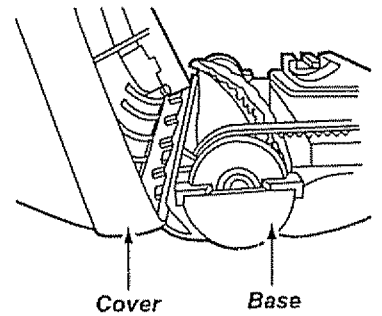


NOTE: See PARTS AND FEATURES for Belt #.



3. Snap brush supports into place on base. Be sure brush supports are not upside-down.

4. Line up front of cover and base. Rest cover on front edge of base as shown.



5. Tilt cover to back. Press cover firmly until side tabs snap into place. Replace cover screws, light bulb and light cover.

B RUSH S E R V I C I N G

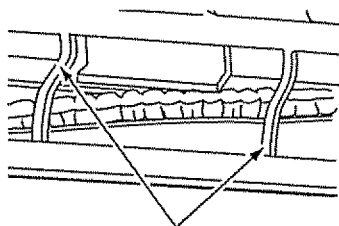


W A R N I N G

Electrical Shock Or Personal Injury Hazard

Disconnect electrical supply before servicing or cleaning the unit. Failure to do so could result in electrical shock or personal injury from cleaner suddenly starting.

TO CHECK BRUSH:



Base Support Bars

When brushes are worn to the level of the base support bars, replace the brushes.

TO REPLACE BRUSH:

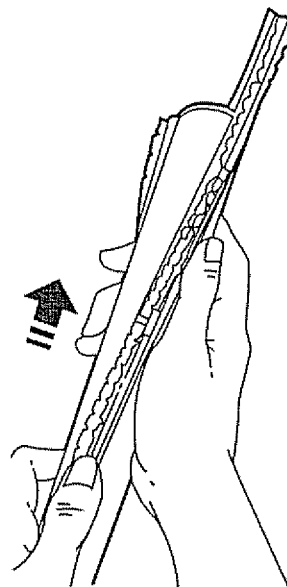
1 Remove POWER-MATE™ cover, belt and brush assembly. See "To remove belt" in BELT CHANGING AND BRUSH CLEANING.

2 Remove brush supports, washers, screws, end brush, brush sprocket pieces from ends of brush assembly.

3 Push out worn brushes. If the beater bar is chipped or gouged, replace it.

4 Slide new beater bar and brushes into slots.

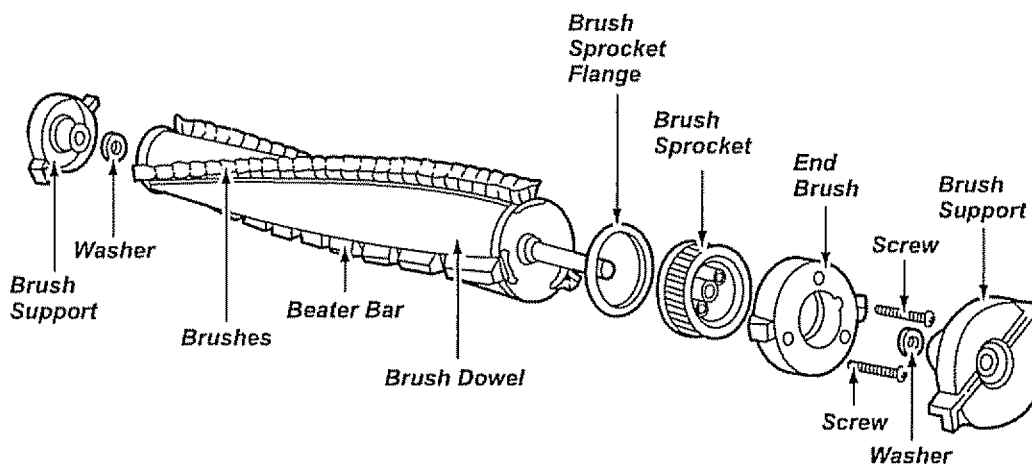
NOTE: New brushes and beater bar may be easier to install if they are soaked in warm water for a few minutes. Dry thoroughly before installing.



5 Reassemble brush assembly. To line up screw holes in dowel, sprocket and end brush, be sure beater bar portion of end brush lines up with beater bar on brush dowel.

6 Replace belt, brush assembly, POWER-MATE™ cover, light bulb and light cover. See "To replace belt" in BELT CHANGING AND BRUSH CLEANING.

B R U S H A S S E M B L Y



TROUBLESHOOTING

Review this chart to find do-it-yourself solutions for minor performance problems. Any service needed, other than those described in this owner's manual, should be performed by an authorized service representative.



WARNING Electrical Shock Hazard

Disconnect electrical supply before servicing or cleaning the unit. Failure to do so could result in electrical shock or personal injury.

PROBLEM	POSSIBLE CAUSE	POSSIBLE SOLUTION
Cleaner won't start	<ol style="list-style-type: none"> 1. Unplugged at wall outlet. 2. Tripped circuit breaker/burnt fuse at household service panel. 3. Loose hose electrical connections. 4. Tripped overload protector in POWER-MATE™. 	<ol style="list-style-type: none"> 1. Plug in firmly, push ON/OFF switch to ON. 2. Reset circuit breaker or replace fuse. 3. Reconnect hose ends, (page 7). 4. Clean brush and brush supports, then reset, (pages 14, 15).
Poor job of dirt pick-up.	<ol style="list-style-type: none"> 1. Full or clogged dust bag. 2. Clogged airflow passages. 3. Dirty motor safety filter. 4. Wrong pile height setting. 5. Open suction control. 6. Hole in hose. 7. Worn POWER-MATE™ brushes. 8. Worn or broken belt. 9. Dirty brush or brush supports. 10. Canister hood open. 	<ol style="list-style-type: none"> 1. Change bag, (page 12). 2. Clear airflow passages, (page 12). 3. Clean filter, (page 13). 4. Adjust setting, (page 9). 5. Adjust control, (page 11). 6. Replace hose. 7. Change brushes, (page 16). 8 & 9. See BELT CHANGING AND BRUSH CLEANING, (pages 14, 15). 10. Close and latch hood.
Cleaner starts but cuts off.	<ol style="list-style-type: none"> 1. Hose or hood electrical connections. 2. Tripped overload protector in POWER-MATE™. 3. Tripped overload protector in canister. 	<ol style="list-style-type: none"> 1. Check connections, reconnect hose ends, (page 7). 2. Remove any items that may be caught or jammed, then reset. If cleaner starts and stops again, clean brush and brush supports, then reset, (pages 14, 15). 3. Change dust bag, clear airflow blockage, (page 12). Wait 20 minutes for motor to cool and automatically reset.
POWER-MATE™ will not run when attached.	<ol style="list-style-type: none"> 1. POWER-MATE™ connections unplugged. 2. Worn or broken belt. 3. Dirty brush or brush supports. 4. Tripped overload protector in POWER-MATE™. 	<ol style="list-style-type: none"> 1. Plug in firmly, (page 6). 2 & 3. See BELT CHANGING AND BRUSH CLEANING, (pages 14, 15). 4. Check brush area for excessive lint build-up or jamming. Clean brush and brush supports, then reset, (pages 14, 15).
Performance indicator, some models, is red.	<ol style="list-style-type: none"> 1. Full or clogged dust bag. 2. Dirty filter. 3. Clogged airflow passage. 4. Certain attachment tools. 	<ol style="list-style-type: none"> 1. Change bag, (page 12). 2. Change filter, (page 13). 3. Clear clog from airflow passage, (page 12). 4. This is normal. Light should go off when tool is removed.
Cleaner picks up moveable rugs -or- POWER-MATE™ pushes too hard	<ol style="list-style-type: none"> 1. Wrong pile height setting. 2. Suction too strong. 	<ol style="list-style-type: none"> 1. Adjust setting, (page 9). 2. Open suction control, (page 11).
Light won't work.	<ol style="list-style-type: none"> 1. Burned out light bulb. 	<ol style="list-style-type: none"> 1. Change light bulb, (page 14).
Cord won't rewind.	<ol style="list-style-type: none"> 1. Dirty power cord. 2. Cord jammed. 	<ol style="list-style-type: none"> 1. Clean the power cord. 2. Pull out cord and rewind.
Cleaner leaves marks on carpet.	<ol style="list-style-type: none"> 1. Wrong vacuuming pattern. 	<ol style="list-style-type: none"> 1. See VACUUMING TIPS, (page 9).

Get it fixed, at your home or ours!

For repair of major brand appliances **in your own home . . .**
no matter who made it, no matter who sold it!

1-800-4-MY-HOME[®] Anytime, day or night
(1-800-469-4663) (U.S.A. and Canada)
www.sears.com www.sears.ca

For repair of carry-in products like vacuums, lawn equipment, and electronics, call for the nearest **Sears Parts and Repair Center.**

1-800-488-1222 Anytime, day or night (U.S.A. only)
www.sears.com

For the replacement parts, accessories and owner's manuals that you need to do-it-yourself, call **Sears PartsDirectSM**!

1-800-366-PART 6 a.m. – 11 p.m., 7 days a week
(1-800-366-7278) (U.S.A. only)
www.sears.com/partsdirect

To purchase or inquire about a Sears Service Agreement or Sears Maintenance Agreement:

1-800-827-6655 (U.S.A.) **1-800-361-6665** (Canada)
7 a.m. – 5 p.m., CST, Mon. – Sat. 9 a.m. – 8 p.m. EST, M – F, 4 p.m. Sat.

Para pedir servicio de reparación a domicilio, y para ordenar piezas:
1-888-SU-HOGARSM
(1-888-784-6427)

Au Canada pour service en français:
1-800-LE-FOYER^{MC}
(1-800-533-6937)
www.sears.ca



© Sears, Roebuck and Co.

® Registered Trademark / TM Trademark / SM Service Mark of Sears, Roebuck and Co.

® Marca Registrada / TM Marca de Fábrica / SM Marca de Servicio de Sears, Roebuck and Co.

^{MC} Marque de commerce / ^{MD} Marque déposée de Sears, Roebuck and Co.