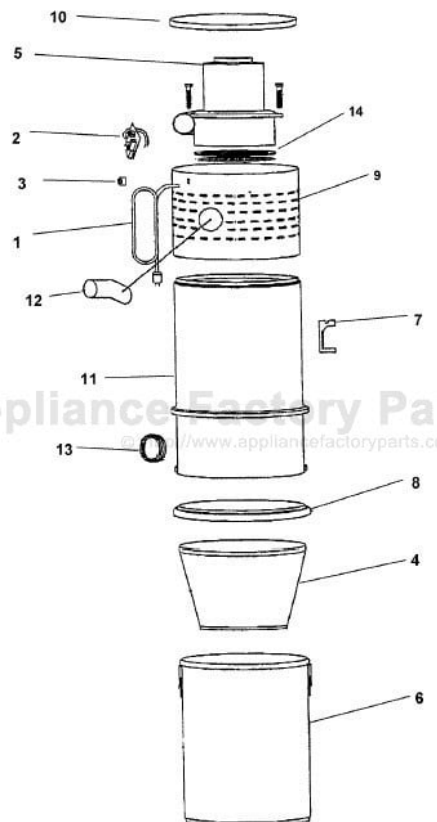


This Owner's Manual is provided and hosted by [Appliance Factory Parts](#).



# HOOVER S5620 Owner's Manual

[Shop genuine replacement parts for HOOVER S5620](#)

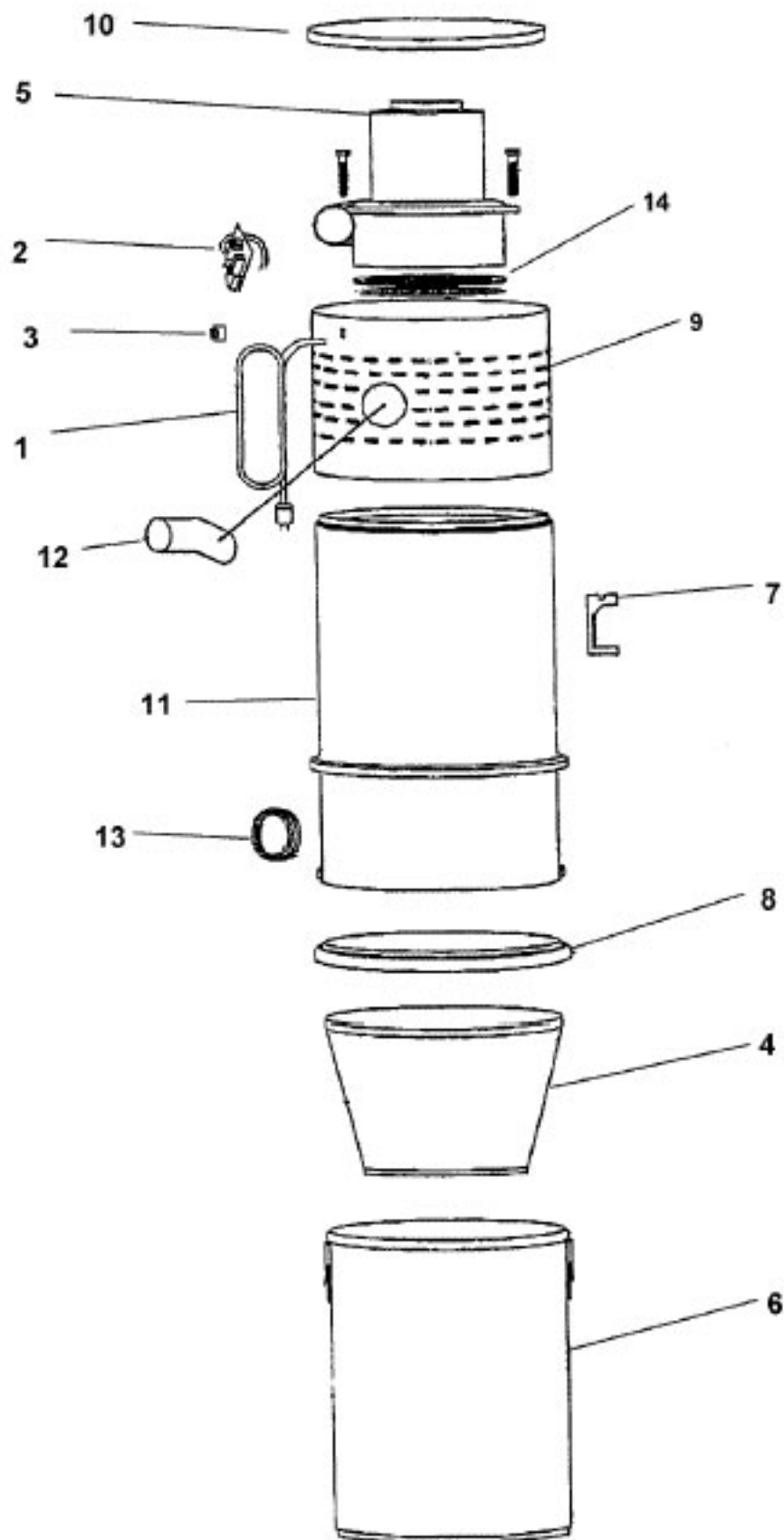


[Find Your HOOVER Vacuum Cleaner Parts - Select From 1456 Models](#)

----- Manual continues below -----

# CENTRAL VACUUM SYSTEM

## ASSEMBLY SCHEMATIC



S5610  
S5620  
S5630  
S5640

# CENTRAL VACUUM SYSTEM

## PART LISTING

ITEM	PART NUMBER	MODELS TO FIT	PART DESCRIPTION
1	59132011	S5610, S5620, S5630, S5640	POWER CORD
2	59132006	S5610, S5620, S5630, S5640	CONTROL MODULE
3	59132005	S5610, S5620, S5630, S5640	ROCKER SWITCH
4	59132001	S5610, S5620	CLOTH FILTER - 11"
	59132002	S5630, S5640	CLOTH FILTER - 14"
5	59132007	S5610	MOTOR - 2 STAGE
	59132009	S5610	MOTOR BRUSH
	59132008	S5620, S5630	MOTOR - 3 STAGE - 5.7" DIA
	59132010	S5620, S5630	MOTOR BRUSH
6	59132021	S5610, S5620	DUST CONTAINER - 11"
	59132021	S5630, S5640	DUST CONTAINER - 14"
7	59132022	S5610, S5620, S5630, S5640	WALL BRACKET
8	59132023	S5610, S5620	GASKET - 11.5"
	59132024	S5630, S5640	GASKET - 14.5"
9	59132032	S5610	SHROUD
	59132029	S5620	SHROUD
	59132030	S5630	SHROUD
	59132031	S5640	SHROUD
10	59132036	S5610, S5620	CANISTER COVER - 11"
	59132037	S5630, S5640	CANISTER COVER - 14"
11	59132034	S5610, S5620	CANISTER BODY - 11"
	59132035	S5630	CANISTER BODY - 14"
	59132046	S5640	CANISTER BODY - 14"
12	59132038	S5610, S5620, S5630, S5640	TANGENTIAL ADAPTOR
13	59132039	S5610, S5620, S5630, S5640	INTAKE GROMMET
14	59132040	S5610, S5620, S5630	MOTOR GASKET - SMALL
	59132041	S5640	MOTOR GASKET - LARGE

S5610

S5620

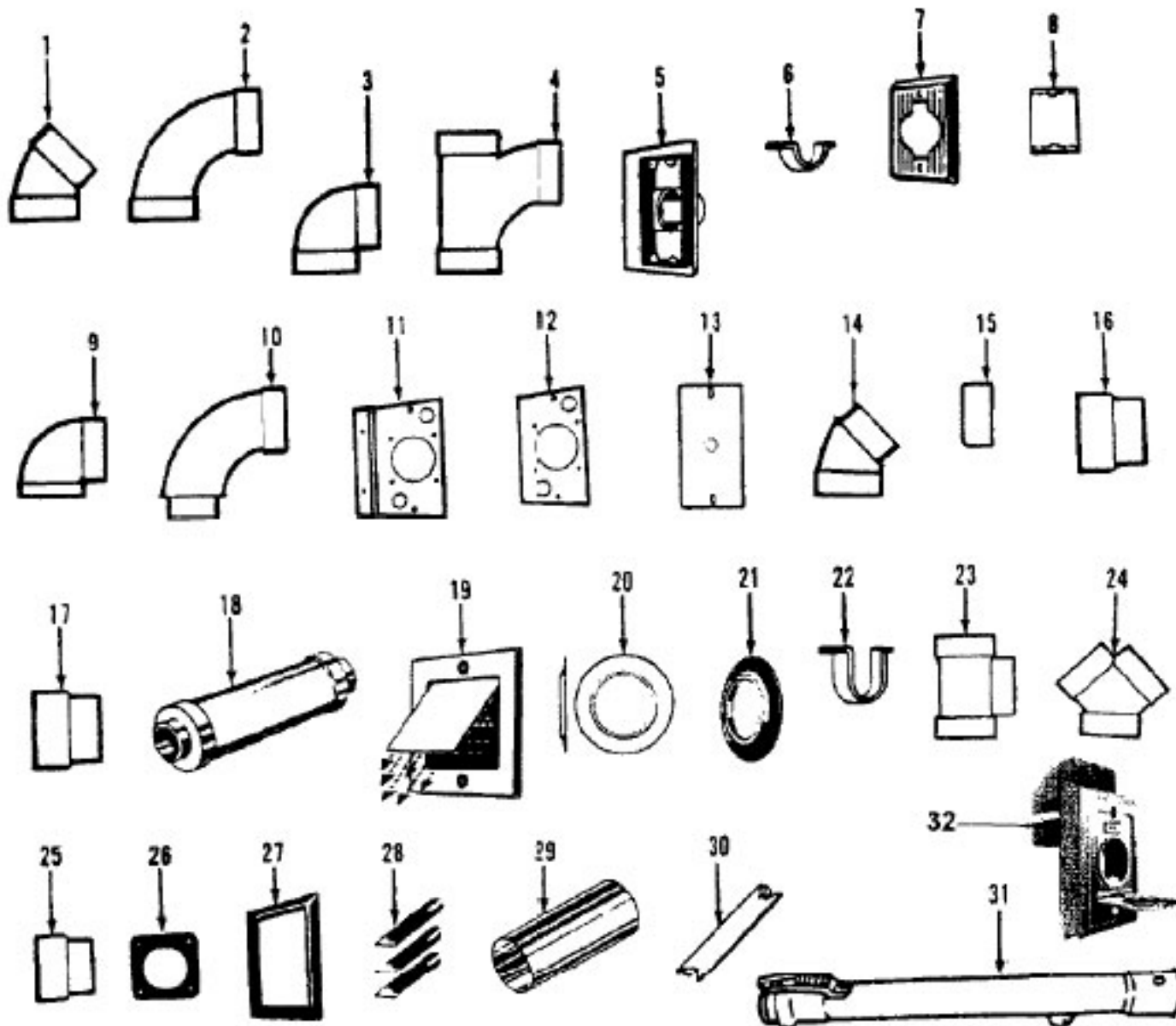
S5630

S5640

# CENTRAL VACUUM SYSTEM

## ASSEMBLY SCHEMATIC

S5610  
S5620  
S5630  
S5640



# CENTRAL VACUUM SYSTEM

## PART LISTING

ITEM	PART NUMBER	MODELS TO FIT	PART DESCRIPTION
1	33211001	S5610, S5620, S5630, S5640	ELBOW - 45 DEGREE
2	33215002	S5610, S5620, S5630, S5640	SWEEP ELBOW - 90 DEGREE
3	33215003	S5610, S5620, S5630, S5640	SHORT ELBOW - 90 DEGREE
4	38681006	S5610, S5620, S5630, S5640	SWEEP ELBOW TEE - 90 DEGREE
5	38719005	S5610, S5620, S5630, S5640	MOUNTING PLATE
6	48615015	S5610, S5620, S5630, S5640	PIPE STRAP
7	43526001	S5610, S5620, S5630, S5640	INLET VALVE
	43526007	S5610, S5620, S5630, S5640	INLET VALVE - WHITE
	43526014	S5610, S5620, S5630, S5640	INLET VALVE - AG
8	32286011	S5610, S5620, S5630, S5640	STOP COUPLING
9	10141001	S5610, S5620, S5630, S5640	SHORT ELBOW SPECIAL - 90 DEGREE
10	10096001	S5610, S5620, S5630, S5640	SWEEP SPIGOT ELBOW - 90 DEGREE
11	10121001	S5610, S5620, S5630, S5640	STEEL MOUNTING PLATE - WIDE
12	10121002	S5610, S5620, S5630, S5640	STEEL MOUNTING PLATE - NARROW
13	10141003	S5610, S5620, S5630, S5640	PLASTER GUARD
14	10096002	S5610, S5620, S5630, S5640	SPIGOT - 45 DEGREE
15	10019002	S5610, S5620, S5630, S5640	VAC CAP
16	10129001	S5610, S5620, S5630, S5640	PIPE ADAPTOR - 1-3/4" TO 2"
17	10129002	S5610, S5620, S5630, S5640	PIPE ADAPTOR - 1-13/16" TO 2"
18	10098001	S5610, S5620, S5630, S5640	VAC MUFFLER
19	10102001	S5610, S5620, S5630, S5640	EXHAUST VENT CAP
20		S5610, S5620, S5630, S5640	PIPE COLLAR
21	32162010	S5610, S5620, S5630, S5640	PIPE COLLAR
22	36171019	S5610, S5620, S5630, S5640	FITTING STRAP
23	38681009	S5610, S5620, S5630, S5640	SHORT TEE
24	38681008	S5610, S5620, S5630, S5640	DOUBLE FITTING
25	32175021	S5610, S5620, S5630, S5640	VALVE EXTENSION
26	38783016	S5610, S5620, S5630, S5640	FLANGE FITTING GASKET
27	38719015	S5610, S5620, S5630, S5640	VALVE TRIM PLATE - WHITE
	38719018	S5610, S5620, S5630, S5640	VALVE TRIM PLATE
	38719019	S5610, S5620, S5630, S5640	VALVE TRIM PLATE
28	59133226	S5610, S5620, S5630, S5640	PIPE CUTTER BLADES
29	31745005	S5610, S5620, S5630, S5640	METAL FIREWALL PIPE - 6"
30	59133225	S5610, S5620, S5630, S5640	NAIL GUARD
31	43453038	S5610, S5620, S5630, S5640	TL EXT TUBE ASSEMBLY - 17"
32	43526015	S5610, S5620, S5630, S5640	PLATE / VALVE ASSEMBLY

S5610

S5620

S5630

S5640

# CENTRAL VACUUM SYSTEM

## PART LISTING

ITEM	PART NUMBER	MODELS TO FIT	PART DESCRIPTION
32	43526013	S5610, S5620, S5630, S5640	PLATE / VALVE ASSEMBLY
	65613003	S5610, S5620, S5630, S5640	THERMOSTAT WIRE - 500' ROLL
	31748028	S5610, S5620, S5630, S5640	PVC PIPE - 2" OD X 5' LONG WHITE
	21416011	S5610, S5620, S5630, S5640	INLET SCREW - SELF TAPPING PAINTED
	40300066	S5610, S5620, S5630, S5640	VAC PAN - WHITE

S5610

S5620

S5630

S5640