

This Owner's Manual is provided and hosted by [Appliance Factory Parts](#).



# BROAN RMDD4804 Owner's Manual

[Shop genuine replacement parts for BROAN  
RMDD4804](#)



[Find Your BROAN HVAC Parts - Select From 1309 Models](#)

----- Manual continues below -----

# RANGEMASTER

MODEL	WIDTH	BLOWER
RMDD3004	30"	500 cfm Interi
RMDD3604	36"	500 cfm Interi
RMDD4804	48"	500 cfm Interi
RMDD3004EX	30"	Models 331H,
RMDD3604EX	36"	Models 331H,
RMDD4804EX	48"	Models 331H,



**WARNING** - To reduce the risk of burns or ignition of clothing, this unit should be mounted in the countertop - at least 4" from the burner.

## READ AND SAVE THIS

**WARNING**



**TO REDUCE THE RISK OF FIRE, ELECTRIC SHOCK, OR INJURY TO PERSONS, OBSERVE THE FOLLOWING:**

1. Use this unit only in the manner intended by the manufacturer. If you have questions, contact the manufacturer at the address or telephone number in the warranty.
2. Before servicing or cleaning unit, switch power off at service panel and lock the service disconnecting means to prevent power from being switched on accidentally. When the service disconnecting means cannot be locked, securely fasten a prominent warning device, such as a tag, to the service panel.
3. Installation work and electrical wiring must be done by a qualified person(s) in accordance with all applicable codes and standards, including fire-rated construction codes and standards.

# RANGEMASTER

## PLANNING

### *Interior Blower Installation*

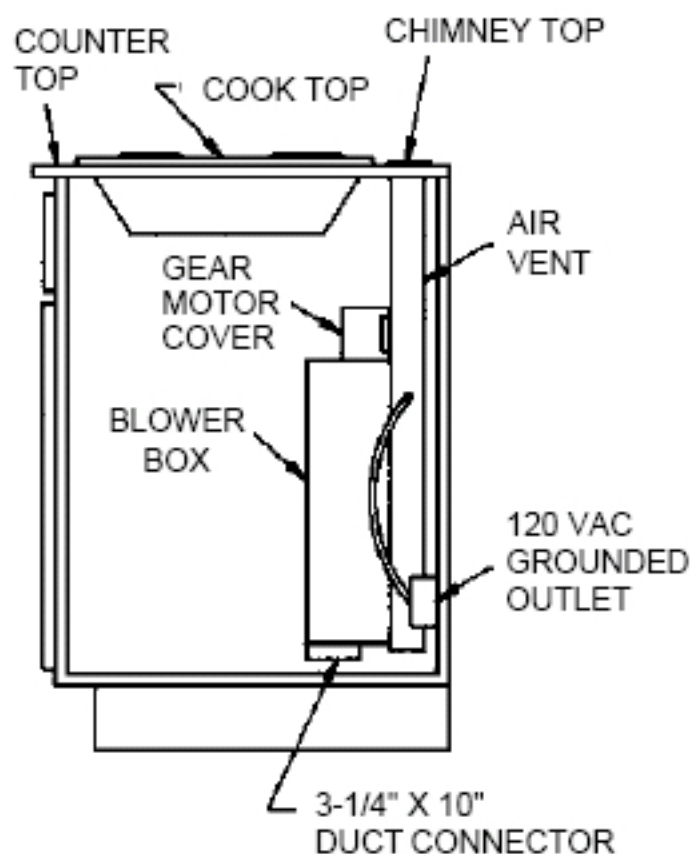
This downdraft blower system is designed to be used to exhaust airborne contaminants when cooking with a variety of gas or electric cooktops. It can be mounted in island, peninsula, or conventional wall locations.

This unit can be easily installed following these basic steps:

- Cut out the countertop opening.
- Mount the unit in the cabinet.
- Connect the ductwork and electrical.
- Install the cooktop.

**Note:** the high level of air flow of this appliance may effect the gas flame on some types of gas cooktops. This is NORMAL and will cause no harm, but can be corrected by lowering the speed of the blower.

#### TYPICAL INSTALLATION



#### ELECTRICAL SPECIFICATIONS

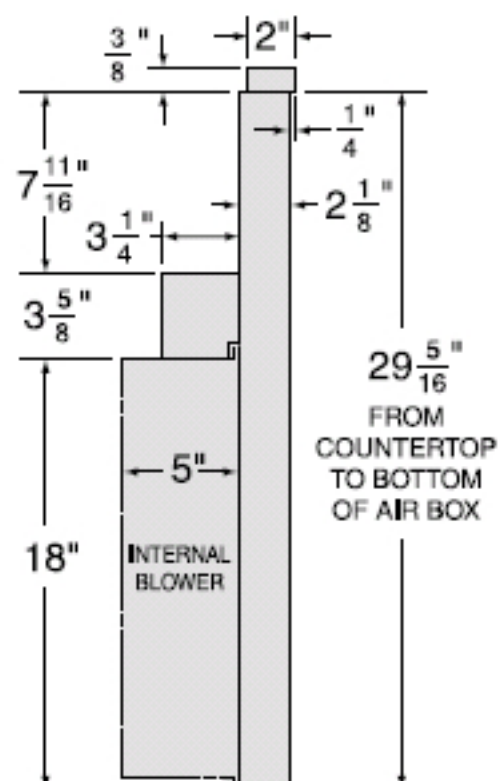
120 VAC • 60 Hz • 4.0 A

# RANGEMASTER

## TAKE MEASUREMENTS (CONTINUED)

### *Interior Blower Installation*

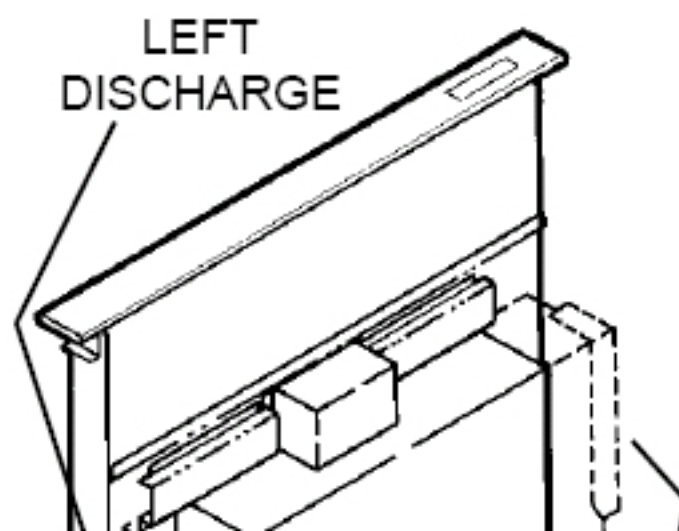
**SIDE VIEW  
OF DOWNDRAFT**



## PLAN THE DUCTWORK

### *Interior Blower Installation*

1. The interior downdraft blower system is designed for use with 3-1/4" x 10" ductwork (can be transitioned to 6" round). Three different discharge directions are available with side-to-side adjustment for



# RANGEMASTER

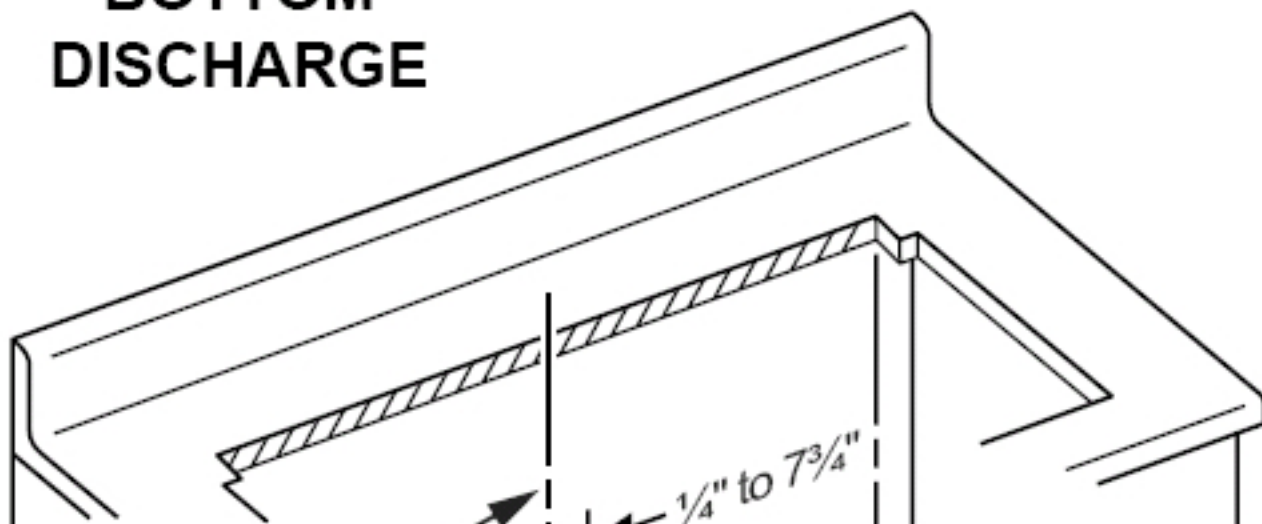
## PLAN THE CABINET CUTOUTS

### *Blower Installation*



**CAUTION:**  
**BEFORE CUTTING HOLE IN**  
**CABINET FOR DUCTWORK,**  
check for interference with floor  
joists, wall studs, electrical  
wiring, or plumbing.

**BOTTOM  
DISCHARGE**



CEN  
LINE  
DUCT

10  
C  
(14

EX  
BL

# RANGEMASTER

---

## PLAN THE WIRING

---

### *Interior Blower Installation*

1. The Interior Downdraft Blower system draws 4 AMPS and requires a 120 VAC, 60 Hz circuit.
2. The unit has a 18 in. long power cord with a 3-pronged plug. Plan to provide a grounded outlet in a location which will allow the unit's power cord to reach.

**IMPORTANT - LOCATION OF ELECTRICAL OUTLET:**

If Model RMDD3004 is being installed in a 30" wide cabinet...

or Model RMDD3604 is being installed in a 36" wide cabinet...

or Model RMDD4804 is being installed in a 48" wide cabinet...

**...the outlet cannot be located on the back wall of cabinet.**

In these cases, the width of the downdraft covers nearly the entire width of the back wall of the cabinet. So you must either:

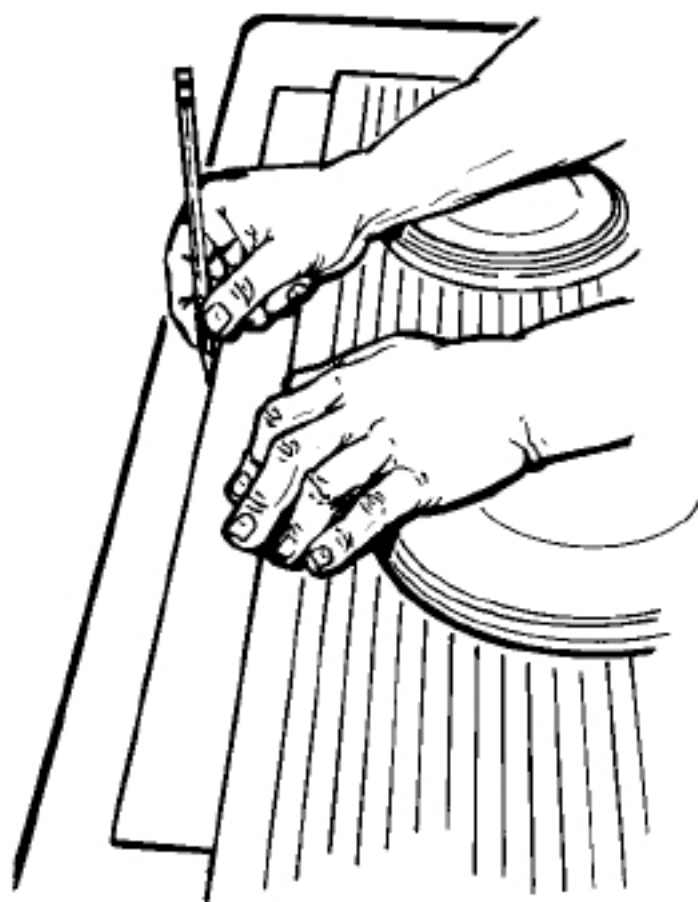
- mount the electrical box to a side wall or cabinet floor - at least 12 inches from the back wall.
- mount the electrical box to a wall stud behind the cabinet - where it will not be covered by the downdraft. Then provide a clearance hole in the back wall of the cabinet.

# RANGEMASTER

## CUT COUNTERTOP OPENING

### *All Units*

1. Lay out and cut the cooktop cut-out far enough FORWARD so downdraft will fit behind it.
2. Set cooktop in place and slide it as far forward as possible. Center and square it with edges of countertop.



3. Place the plastic template against the back flange of the cooktop and center it. Trace around template to mark the downdraft opening.
4. Remove cooktop from countertop.

# RANGEMASTER

---

## MOUNT THE UNIT

---

### *All Units*

1. Set downdraft into opening. Extend **leveling brackets** to floor of cabinet so downdraft sits straight. (Note: Leveling brackets can be removed and re-attached in other positions. Bottom flange may have to face inward in tight cabinet installations.)
2. Secure the downdraft to the countertop as follows: Hold the downdraft against the back of countertop cut-out and tightening the two **mounting screws** (one on each end of unit) on underside of countertop. Use a wood shim between screw and underside of granite countertops.
3. Screw **leveling brackets** to bottom of cabinet. Tighten screws holding leveling bracket to unit on each side.

## INSTALL DUCTWORK

---

### *Blower Installation*

# RANGEMASTER

---

## INSTALL ELECTRICAL WIRING

---

### *Interior Blower Installation*



**CAUTION:** All electrical wiring should be done by a qualified person(s) in accordance with all applicable codes and standards.

1. Mount a standard wiring box, with 3-pronged receptacle, inside the cabinet. Make sure the downdraft's power cord can easily reach it.
2. Run appropriate power cable into cabinet and connect it to receptacle.
3. Plug the downdraft's power cord into the outlet. Make sure that the power cord is routed away from the heat generated by the cooktop.

## INSTALL COOKTOP

---

### *All Units*

1. Align the cooktop with the downdraft and fasten cooktop in place.

# RANGEMASTER

---

## REMOTE UP/DOWN CONTROL

---

### *All Units*

#### **When to use the Remote UP/DOWN Control**

The Remote UP/DOWN Control should be used when your cooktop has a burner that is within 4 inches of the UP/DOWN Button on the downdraft chimney.

The Remote UP/DOWN Control can be used for convenient UP/DOWN operation of the downdraft chimney (even when a burner is more than 4 inches from the UP/DOWN Button of the downdraft chimney).

#### **How to use the Remote UP/DOWN Control**

Do not place the remote control where it will interfere with cooking, where hot pans could be set, or where hot liquids could be spilled on the control.

The Remote UP/DOWN Control disables the UP/DOWN function of the UP/DOWN Button on the downdraft chimney.

#### **Installation**

1. Using the template at right, lay out the 3-hole pattern on the counter top. Mark the centers of the three holes to be drilled.
2. Carefully drill the three holes through the counter top. Be careful not to damage or chip the counter top surface when drilling the holes.
3. Remove the control from the plastic bag. Line the control up with the three holes and position the control so it is parallel with the front of the counter top.
4. Remove the two nylon thumbnuts from the plastic bag and thread onto the two studs on the control from below the counter top. **Hand tighten only.**

# RANGEMASTER

---

## USE AND CARE

---

### *All Units*



**WARNING:** Always disconnect electric power supply before cleaning and/or servicing unit.

Always turn the downdraft blower on before you begin cooking to establish an air flow in the kitchen. Let the blower run for a few minutes to clean the air after you turn the cooktop off. This will keep the whole kitchen cleaner and brighter. The activating switch is pressed and the air vent rises.

BACKSIDE OF  
REMOTE SWITCH  
TEMPLATE

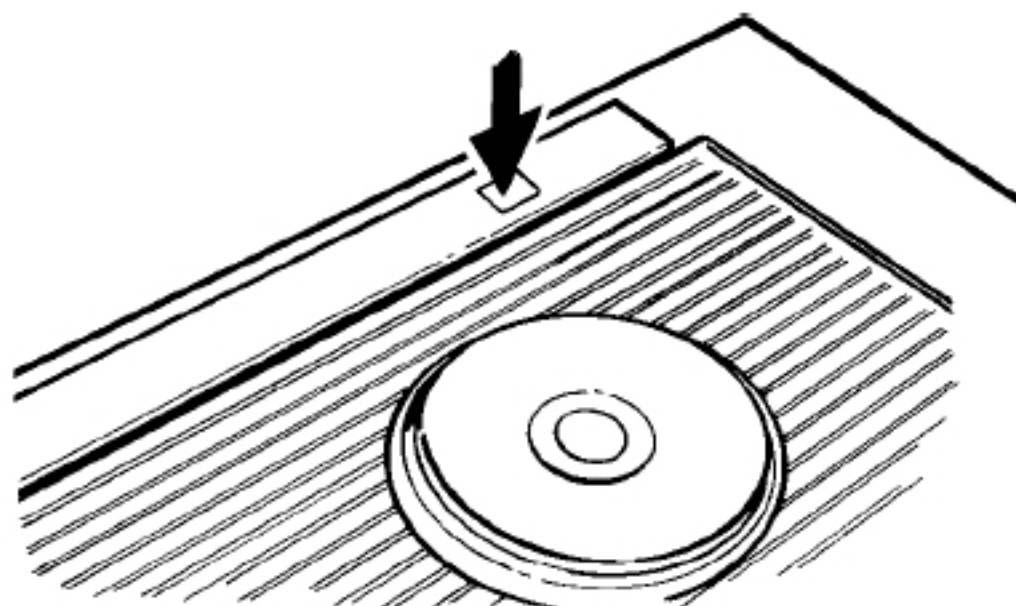
# RANGEMASTER

---

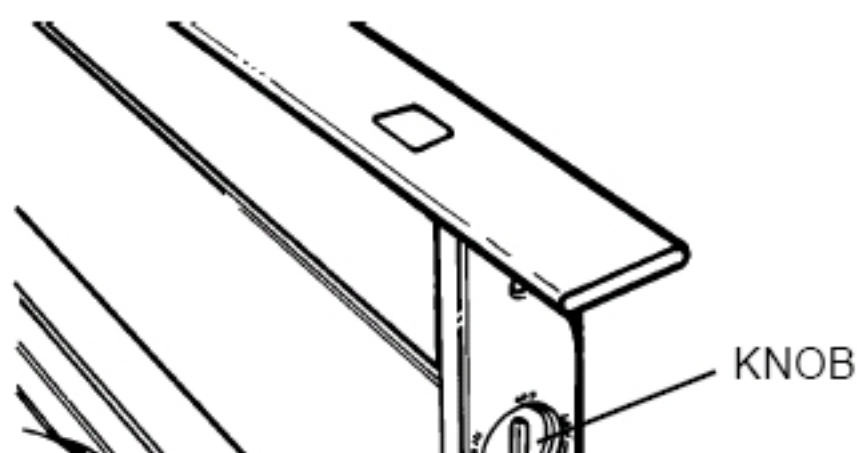
## OPERATION

---

*All Units*



Turn the downdraft blower ON by pressing down on the activating switch. The air vent will rise.



# RANGEMASTER

---

## WARRANTY

---

### **BROAN ONE YEAR LIMITED WARRANTY**

Broan warrants to the original consumer purchaser of its products that such products will be free from defects in materials or workmanship for a period of one year from the date of original purchase. THERE ARE NO OTHER WARRANTIES, EXPRESS OR IMPLIED, INCLUDING, BUT NOT LIMITED TO, IMPLIED WARRANTIES OR MERCHANT ABILITY OR FITNESS FOR A PARTICULAR PURPOSE.

During this one-year period, Broan will, at its option, repair or replace, without charge, any product or part which is found to be defective under normal use and service.

THIS WARRANTY DOES NOT EXTEND TO FLUORESCENT LAMP STARTERS, TUBES, HALOGEN AND INCANDESCENT BULBS. This warranty does not cover (a) normal maintenance and service or (b) any products or parts which have been subject to misuse, negligence, accident, improper maintenance or repair (other than by Broan), faulty installation or installation contrary to recommended installation instructions.

The duration of any implied warranty is limited to the one-year period as specified for the express warranty. Some states do not allow limitation on how long an implied warranty lasts, so the above limitation may not apply to you.

BROAN'S OBLIGATION TO REPAIR OR REPLACE, AT BROAN'S OPTION, SHALL BE THE PURCHASER'S

# RANGEMASTER

## SERVICE PARTS

