

This Owner's Manual is provided and hosted by [Appliance Factory Parts](#).



# GE JP389WVWW Owner's Manual

[Shop genuine replacement parts for GE JP389WVWW](#)



[Find Your GE Electric Range Parts - Select From 348 Models](#)

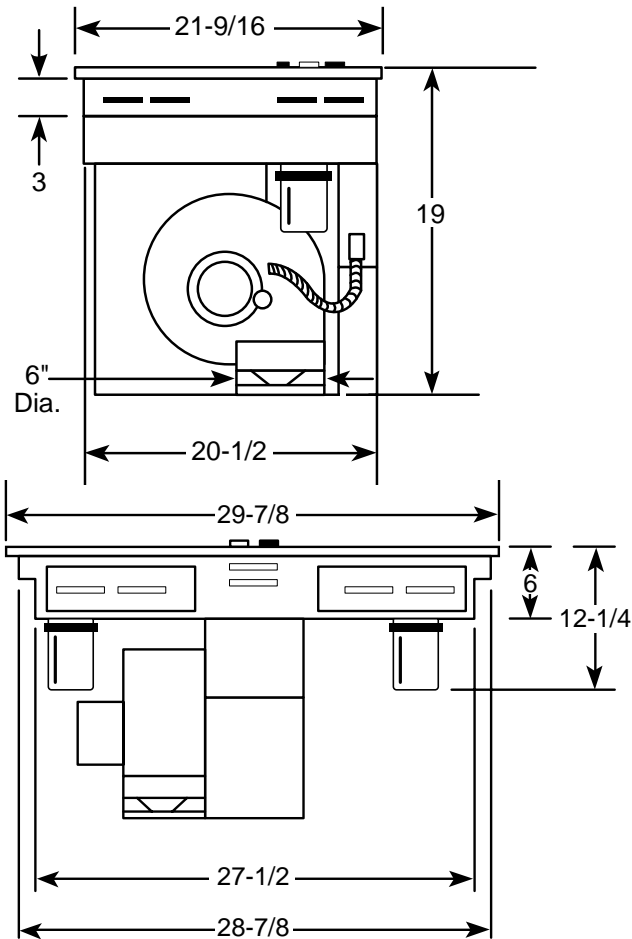
----- Manual continues below -----



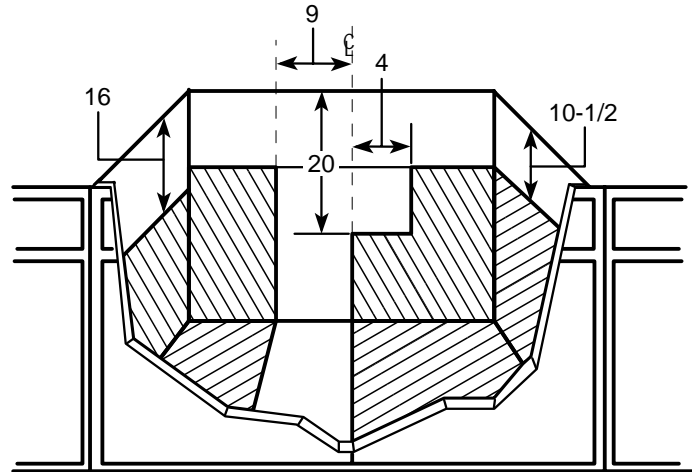
Profile™

## JP389WV—GE Profile™ Select-Top™ Modular Downdraft Cooktop

Built-In Downdraft Modular Cooktop  
Dimensions (in inches)



Built-In Downdraft Modular Cooktop Cabinet  
Dimensions (in inches)



Specification Revised 6/99

Recept  
junction  
diagram  
below  
**Note:**  
indoor  
**Install**  
consult  
packed

For ans  
GE Prof  
GE Prof  
GE Ans

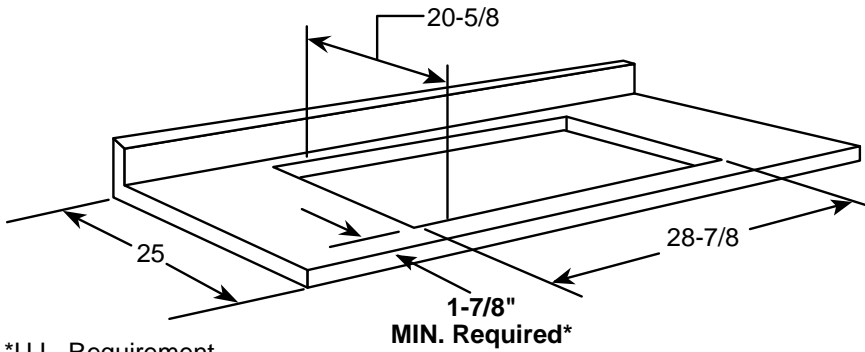




Profile™

# JP389WV—GE Profile™ Select-Top™ Modular Downdraft Cooktop

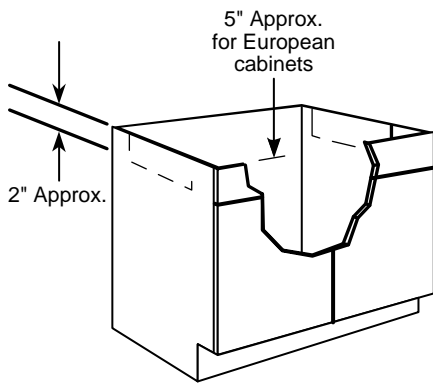
## Cutout Dimensions (in inches)



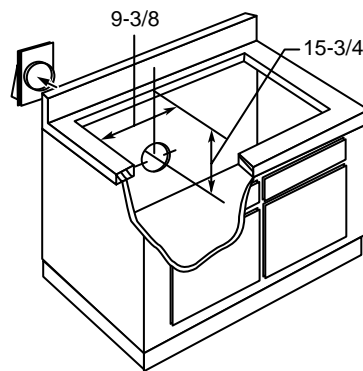
\*U.L. Requirement.

**Note:** A 6" minimum spacing to adjacent side wall is required

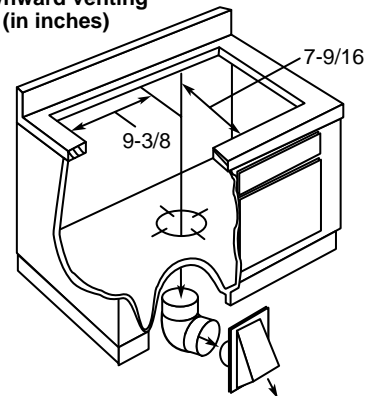
## Preparing the Cabinet for Installation



### Rear wall venting (in inches)



### Downward venting (in inches)



**Note:** In some cabinets, the sides may need to be scooped out and braces removed in order to accommodate the cooktop.

**Wall Installation:** Wall installations require 25" countertop depth. If the wall is not vertical, the fan housing can be rotated to the horizontal position. Make a countertop cutout that is centered in the range and installation type. Duct hole is positioned in back of cabinet.

**Peninsula or Island Installation:** For peninsula or island installation, a minimum depth of 24" is suggested. Blower should be in vertical position. Adjustment in cutout depth and/or location within the width of the cutout is required. Bottom of cabinet for island or peninsula installation.

**Slab Installation:** For peninsula or island installation and under cabinet installation, approved piping should be used if installing under a slab.

**Installation:** 26-gauge metal in 6" recess of both sides should be concrete.

For answers to questions, contact GE Profile™ at 1-800-4-A-GE or GE Appliances at 1-800-4-A-GE.



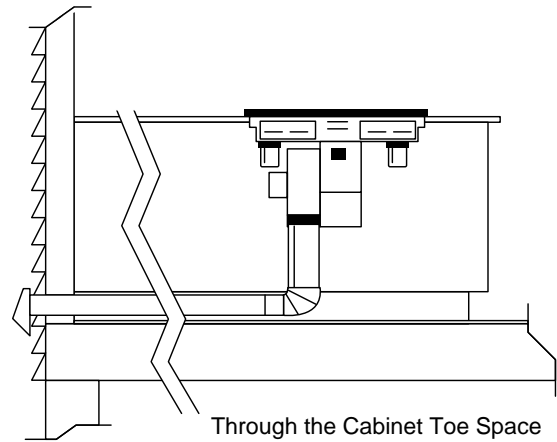
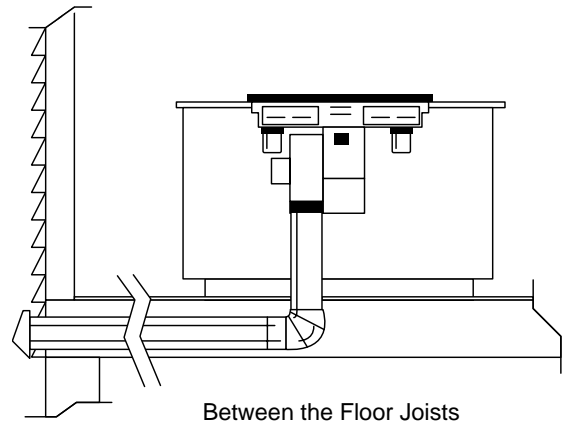
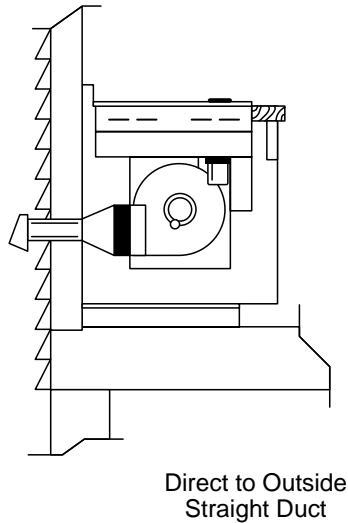
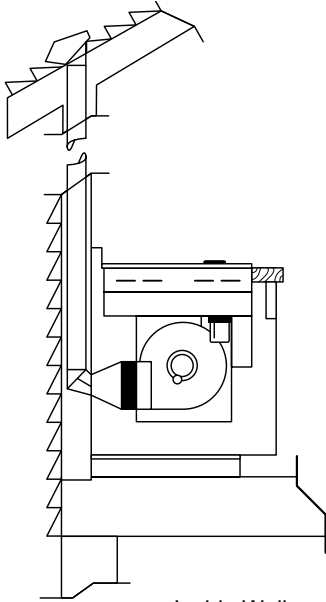
Specification Revised 6/99



Profile™

# JP389WV—GE Profile™ Select-Top™ Modular Downdraft Cooktop

## Venting Options



Specification Revised 6/99

KW F
240
Break
40

†Note: C

Note: D  
 not vent  
 any con  
 roof or v  
 caps sh  
 efficien  
 run poss  
 For satis  
 not exce  
 the tabl  
 Pub. No.

Install  
 consult  
 packed

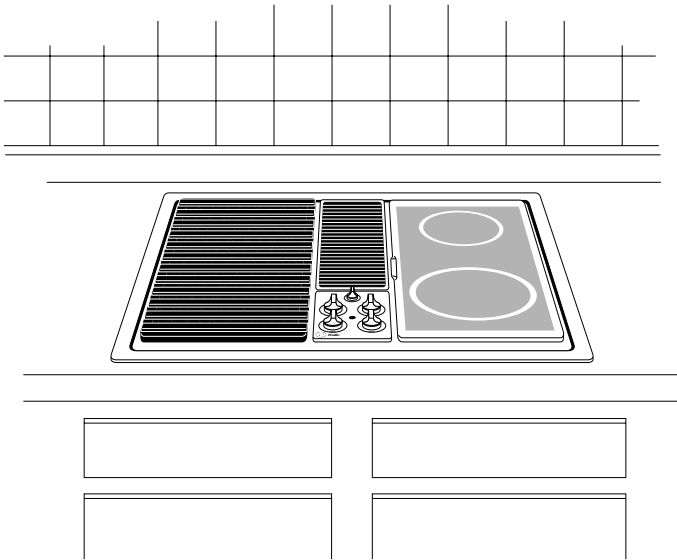
For answ  
 GE Profil  
 GE Profil  
 GE Answ





Profile™

## JP389WV—GE Profile™ Select-Top™ Modular Downdraft Cooktop



### Features and Benefits

- *White on white Model*
- *30" Dual Modular Cooktop*
- *Infinite Heat Rotary Controls*
- *Powerful Downdraft Venting System*
- *3-Speed Fan*
- *Heating Element "ON" Indicator Light*
- *Porcelain-Enameled Cooktop*
- *Optional Modules Available At Additional Cost*
- *Also Available In Black on black as Model JP389BV*
- *Also Designed For 208-Volt Installation In White on white or Black on black as Model JP387BV (208V models require 208V breaker)*

Optional modules (available at additional cost)	JP389WV
Calrod® modules	JXDC44RWH
Ribbon modules	JXDR50VW
Grill modules	JXDL44N
Griddle Accessory	JXDD44R
Grill Cover	JXDM3

Specification Revised 6/99